



US00D815839S

(12) **United States Design Patent**
Rosenzweig

(10) **Patent No.:** **US D815,839 S**
(45) **Date of Patent:** **** Apr. 24, 2018**

- (54) **BRUSH**
- (71) Applicant: **J & D Brush Co., LLC**, Hauppauge, NY (US)
- (72) Inventor: **Jeffrey S. Rosenzweig**, Hauppauge, NY (US)
- (73) Assignee: **J&D BRUSH CO., LLC**, Hauppauge, NY (US)

(**) Term: **15 Years**

(21) Appl. No.: **29/574,345**

(22) Filed: **Aug. 15, 2016**

(51) **LOC (11) Cl.** **04-02**

(52) **U.S. Cl.**
USPC **D4/136**

(58) **Field of Classification Search**
 USPC D4/117, 129, 130, 132, 134, 136, 138;
 D28/21, 28, 30, 64.4, 64.7, 73; D32/49;
 15/106, 110, 186
 CPC A45D 24/00; A45D 24/10; A45D 24/14;
 A46B 1/00; A46B 5/00; A46B 5/02;
 A46B 5/021; A46B 3/005; A46B 3/20;
 A46B 3/22; A46B 7/02; A46B 7/04;
 A46B 9/00; A46B 9/005; A46B 9/02;
 A46B 9/023; A46B 9/025; A46B 15/002;
 A46B 15/0051; A46B 15/0085; A46B
 15/0087; A46B 15/0095; A46B 2200/10;
 A46B 2200/102; A46B 2200/104; A46B
 2200/1093; A46B 2200/205
 See application file for complete search history.

(56) **References Cited**

U.S. PATENT DOCUMENTS

- 1,948,990 A * 2/1934 Mitlehner A46B 15/00
340/664
- 3,253,292 A * 5/1966 Herschensohn A46B 5/0025
132/156

- 6,308,717 B1 * 10/2001 Vrtaric A46B 9/023
132/129
- D562,564 S * 2/2008 King D4/117
- D616,649 S * 6/2010 Lin D30/158
- D739,660 S * 9/2015 Renette D4/138
- D750,896 S * 3/2016 Park D4/136
- D764,808 S * 8/2016 Rosenzweig D4/132
- D782,829 S * 4/2017 Park D4/138
- 2005/0210614 A1 * 9/2005 Chang A46B 9/023
15/186

(Continued)

OTHER PUBLICATIONS

Wet Brush Flex Dry Teal, [on-line]; [review posted to the Internet on Jun. 28, 2017]; [retrieved from the Internet on Jul. 26, 2017]; URL: (2 pages).*

(Continued)

Primary Examiner — Jasmine Mlinarcik

(74) *Attorney, Agent, or Firm* — Miskin & Tsui-Yip LLP; Gloria Tsui-Yip, Esq.

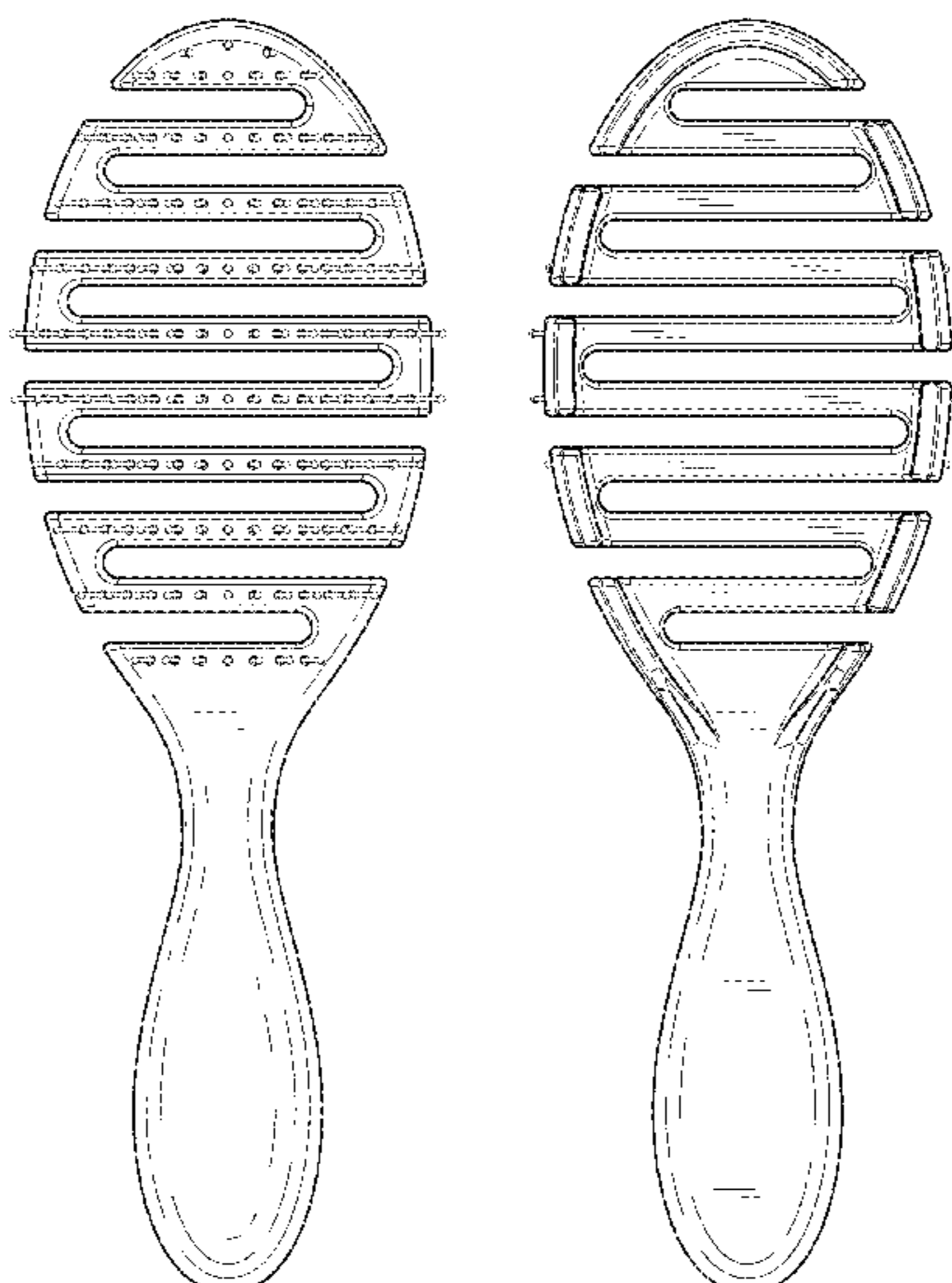
(57) **CLAIM**

The ornamental design for a brush, as shown and described.

DESCRIPTION

FIG. 1 is a front elevational view of a brush showing my new design;
 FIG. 2 is a rear elevational view thereof;
 FIG. 3 is a left side view thereof;
 FIG. 4 is a right side view thereof;
 FIG. 5 is a top plan view thereof;
 FIG. 6 is a bottom plan view thereof;
 FIG. 7 is a perspective view thereof;
 FIG. 8 is another perspective view thereof; and,
 FIG. 9 is an enlarged detail view of the brush.
 The broken lines showing of brush tips in the figures illustrate environmental matters which form no part of the claimed design.

1 Claim, 6 Drawing Sheets



(56)

References Cited

U.S. PATENT DOCUMENTS

2011/0094528 A1* 4/2011 Leung A46B 9/023
132/120
2016/0338479 A1* 11/2016 Rosenzweig A46B 5/0041

OTHER PUBLICATIONS

#LPLikes: Wet Brush Flex Dry Professional Brush, [on-line video];
[published to the Internet by Beauty Launchpad on Apr. 17, 2017];
[retrieved from the Internet on Jul. 26, 2017]; URL: <https://www.youtube.com/watch?v=yCUYQIZJstl>. (2 pages).*

* cited by examiner

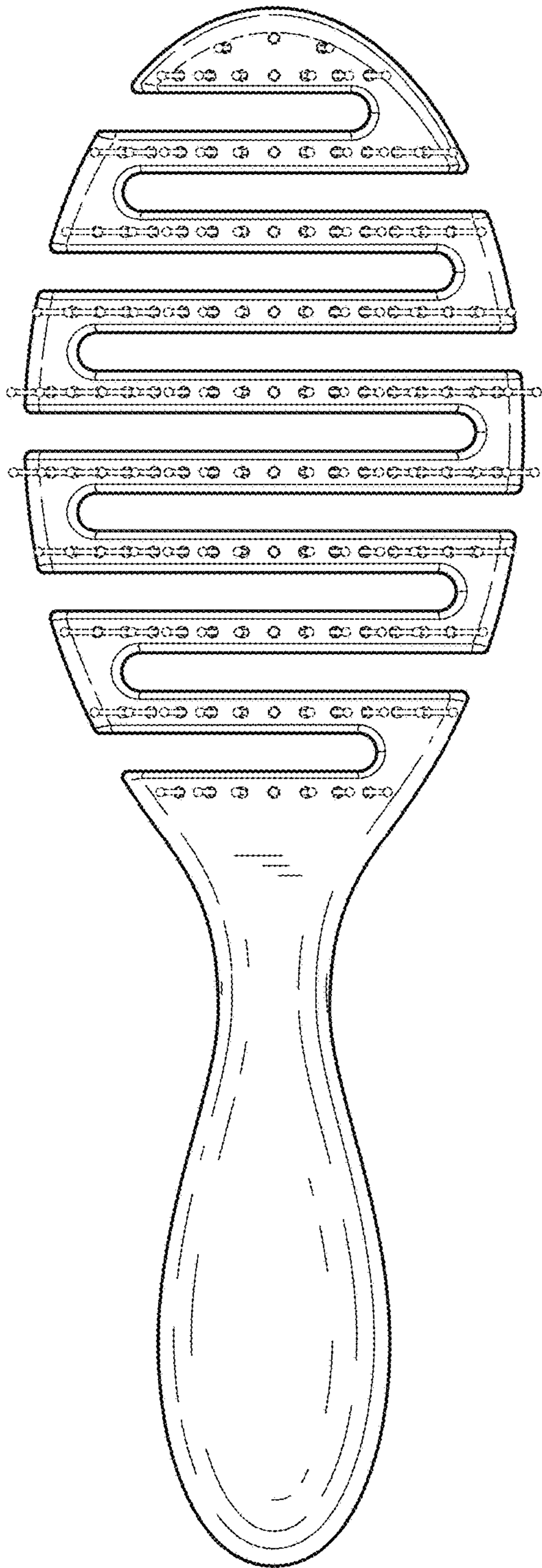


FIG. 1

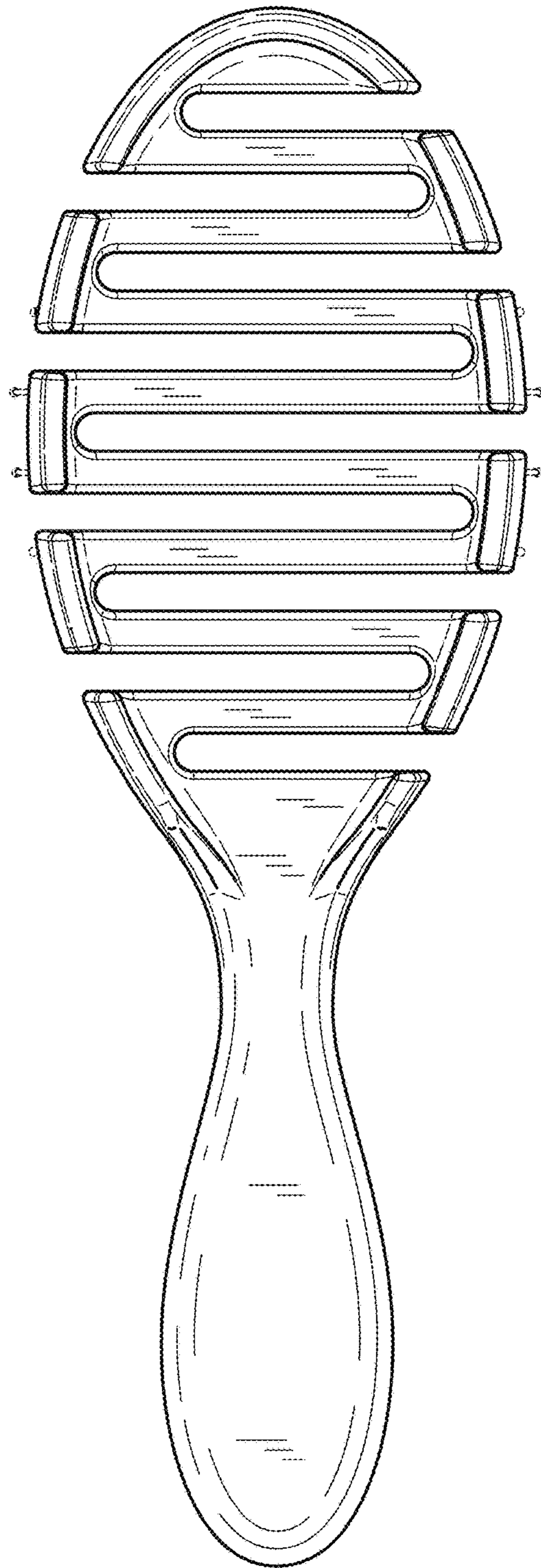


FIG. 2

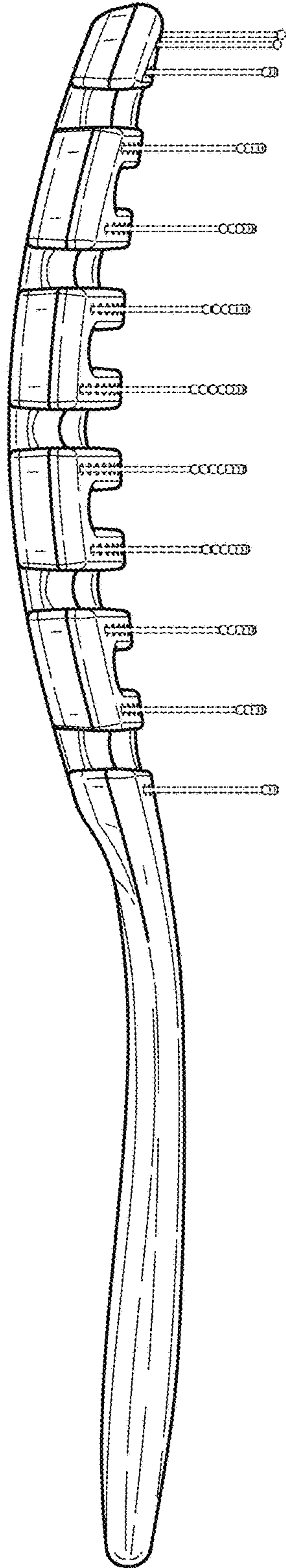


FIG. 3

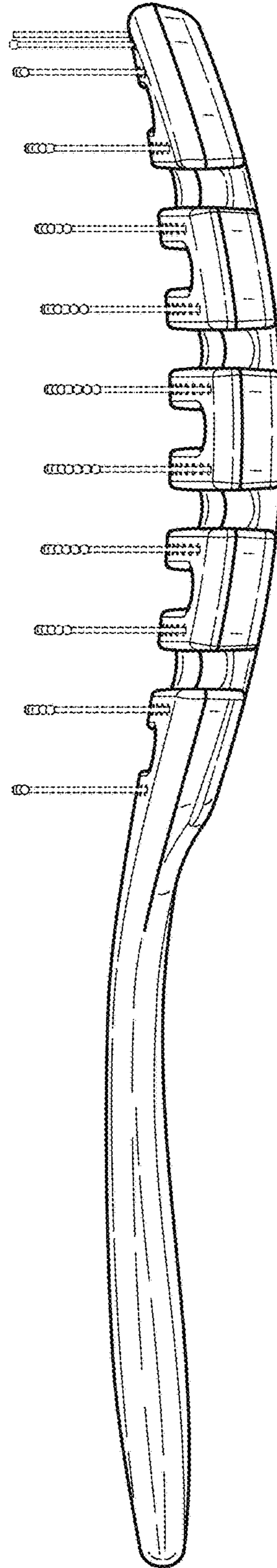


FIG. 4

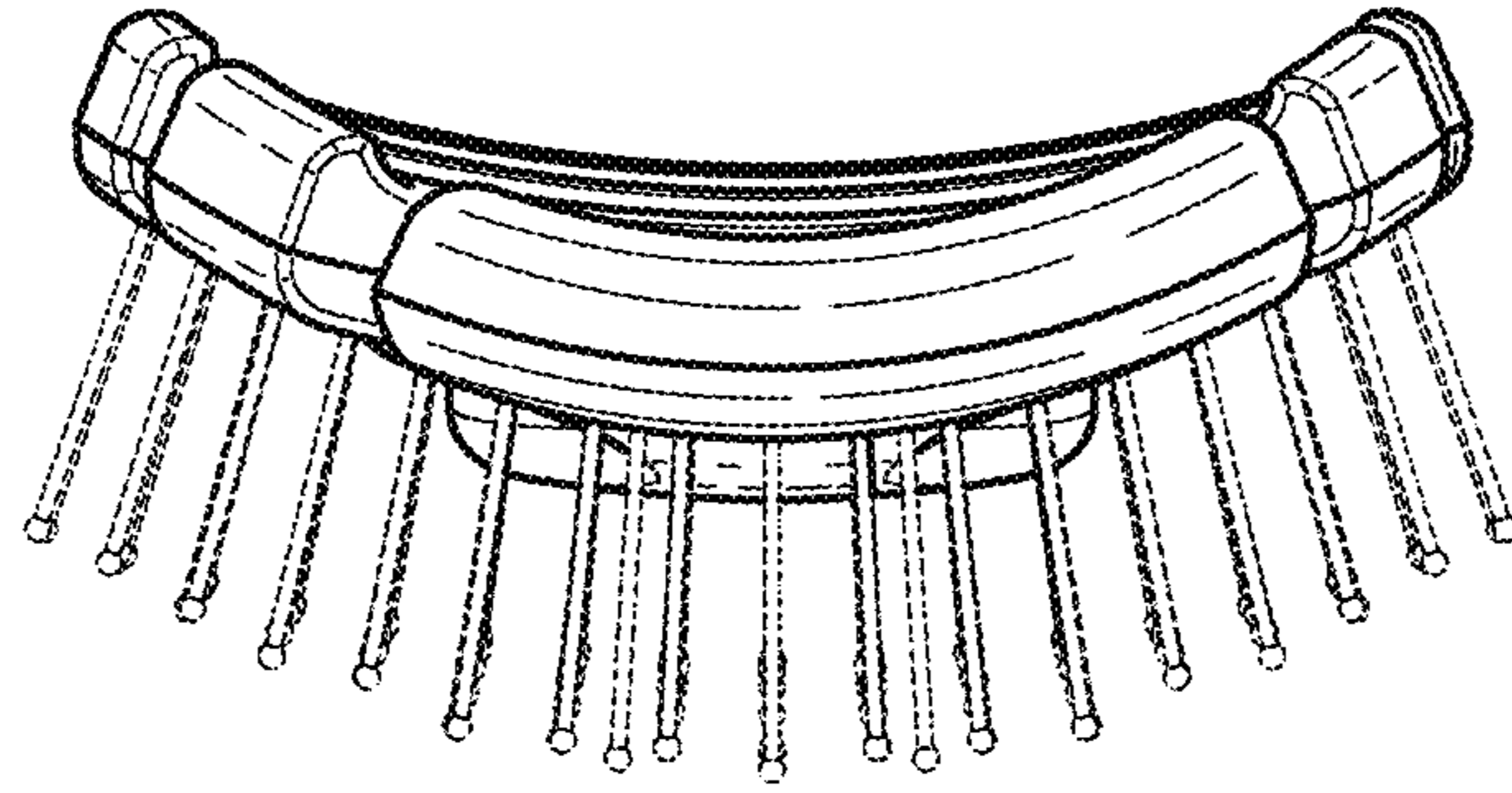


FIG. 5

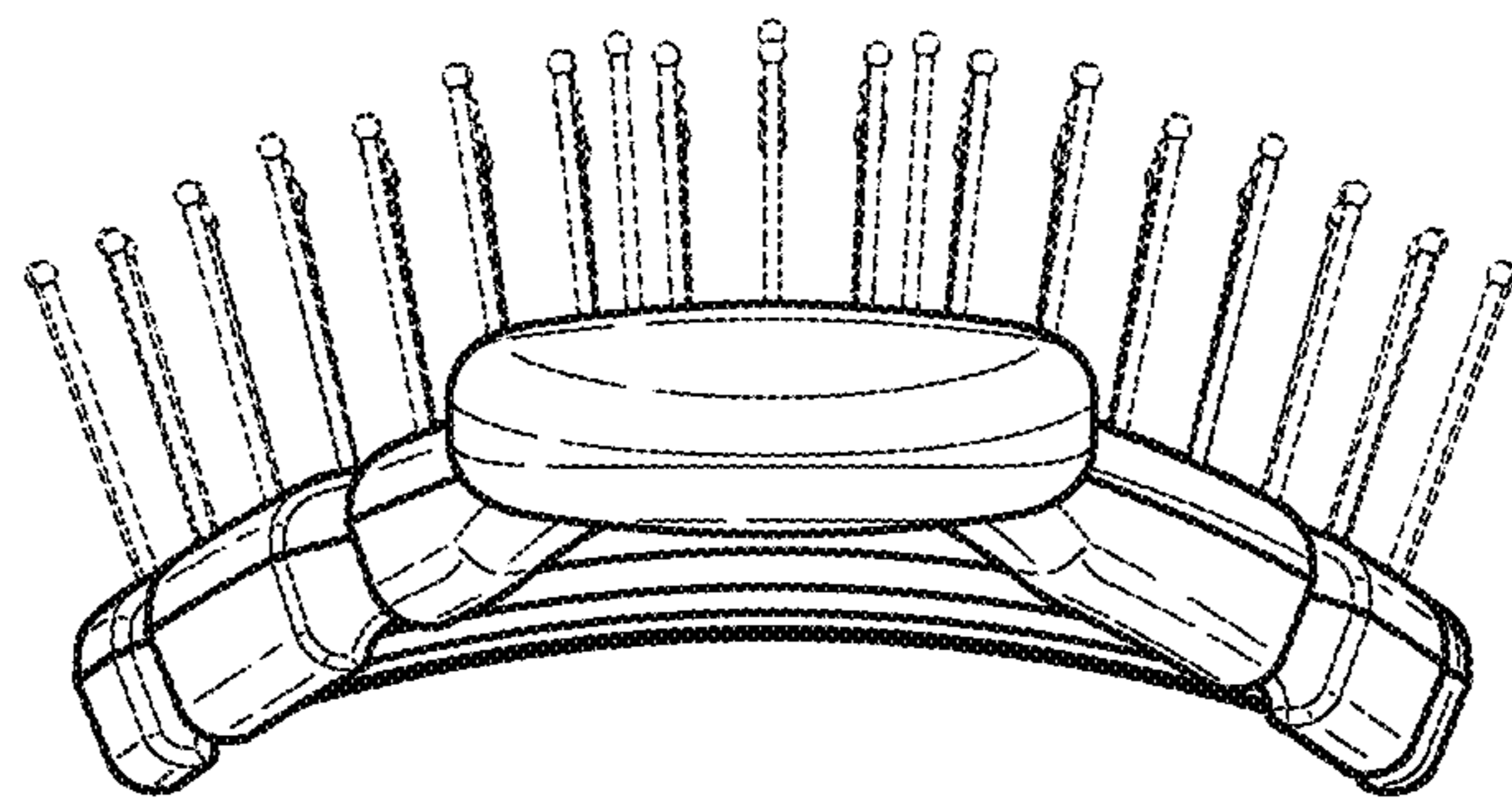


FIG. 6

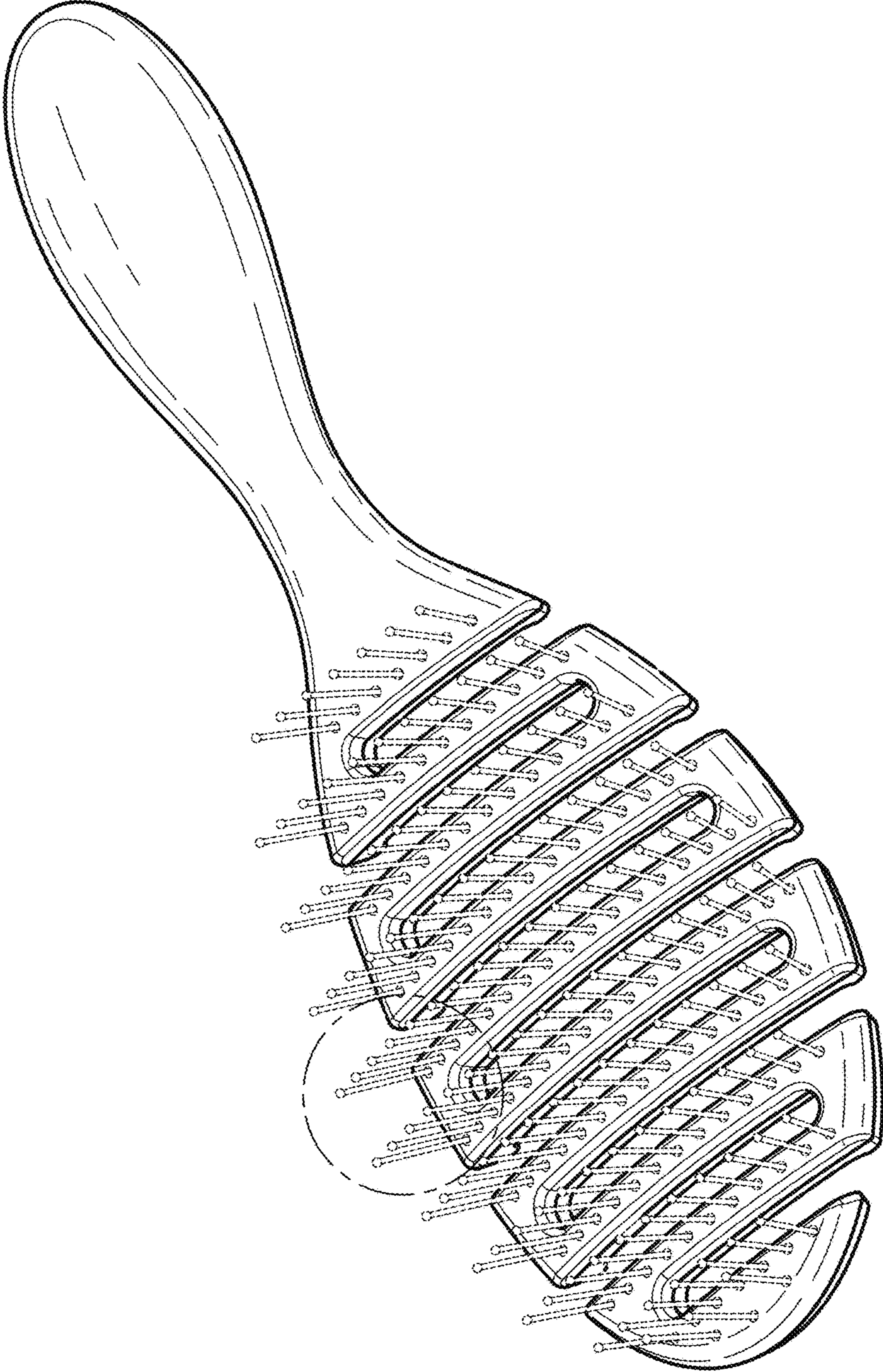


FIG.7

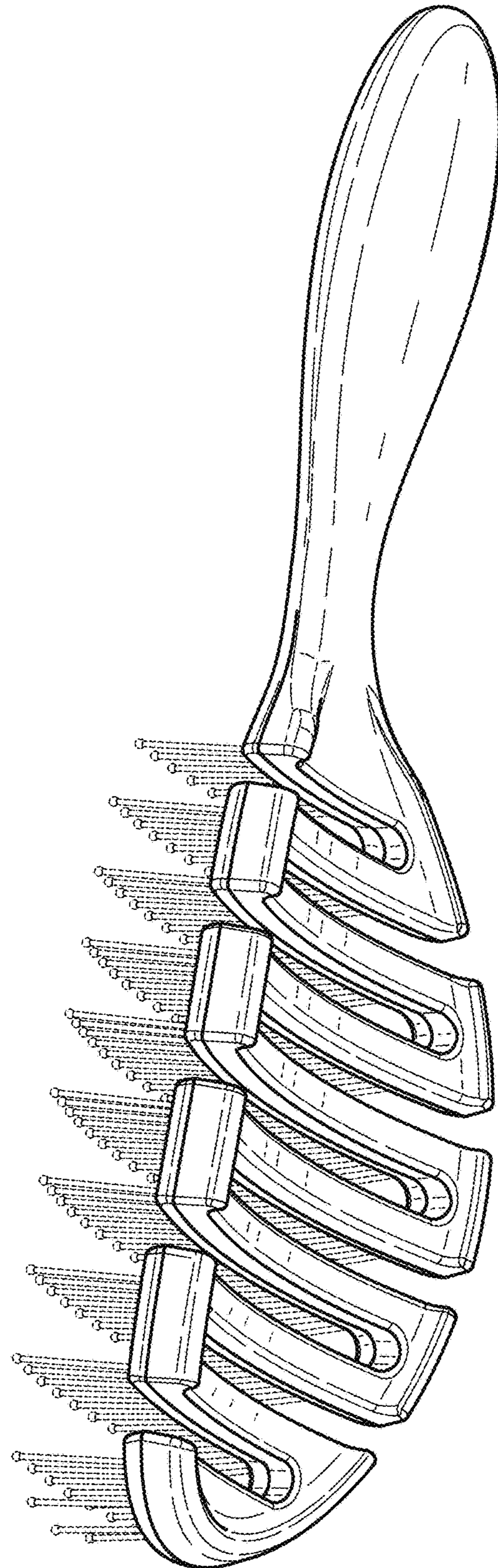


FIG. 8

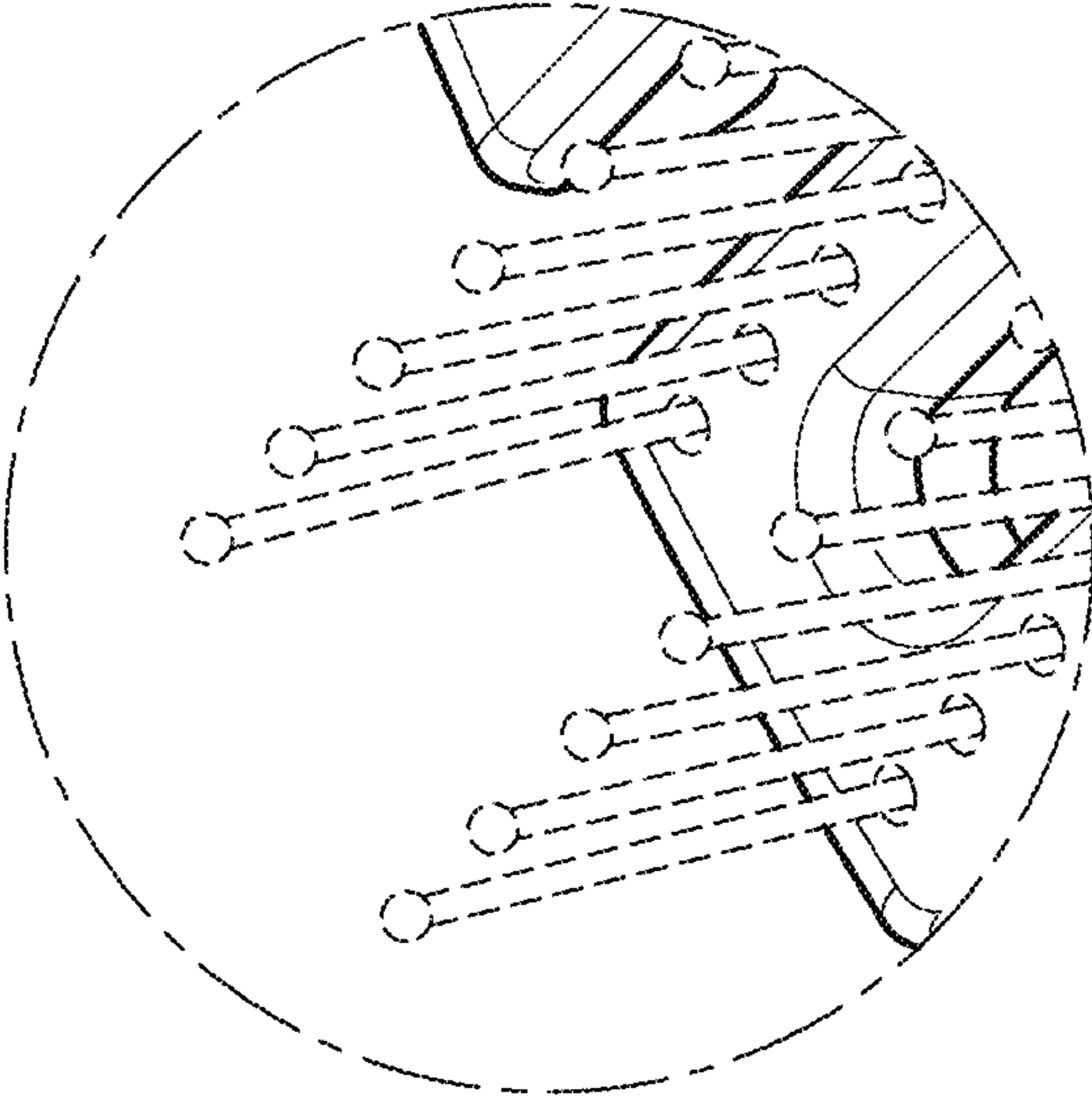


FIG.9