



US00D815835S

(12) **United States Design Patent**
Levie

(10) **Patent No.:** **US D815,835 S**

(45) **Date of Patent:** **** Apr. 24, 2018**

- (54) **BIN**
- (71) Applicant: **Discovery Inc.**, Ross, CA (US)
- (72) Inventor: **Mark Levie**, Corte Madera, CA (US)
- (73) Assignee: **Discovery Inc.**, Ross, CA (US)
- (**) Term: **15 Years**

D628,802 S *	12/2010	Kraemer	D3/318
D636,601 S *	4/2011	Brown	D3/304
D645,903 S *	9/2011	Tsai	D19/90
D660,058 S *	5/2012	Kincaid	D3/304
D660,650 S *	5/2012	Moore	D7/553.2
D734,611 S *	7/2015	Baruch	D3/313
D749,849 S *	2/2016	Baruch	D3/310
D781,585 S *	3/2017	Levie	D3/310
D786,556 S *	5/2017	Jones	D3/304

* cited by examiner

- (21) Appl. No.: **29/597,830**
- (22) Filed: **Mar. 21, 2017**

Primary Examiner — Kelley Donnelly
 (74) *Attorney, Agent, or Firm* — Medley, Behrens & Lewis LLC; Lorri W. Cooper

Related U.S. Application Data

- (63) Continuation of application No. 29/535,300, filed on Aug. 5, 2015, now Pat. No. Des. 781,585.
- (51) **LOC (11) Cl.** **03-01**
- (52) **U.S. Cl.**
USPC **D3/310**
- (58) **Field of Classification Search**
USPC D3/304, 307, 310, 313, 315, 319, 328;
D7/601, 401.1, 412
CPC B65D 1/00; B65D 1/24; B65D 2501/00;
B65D 2501/24
See application file for complete search history.

(57) **CLAIM**

The ornamental design for a bin, as shown and described.

DESCRIPTION

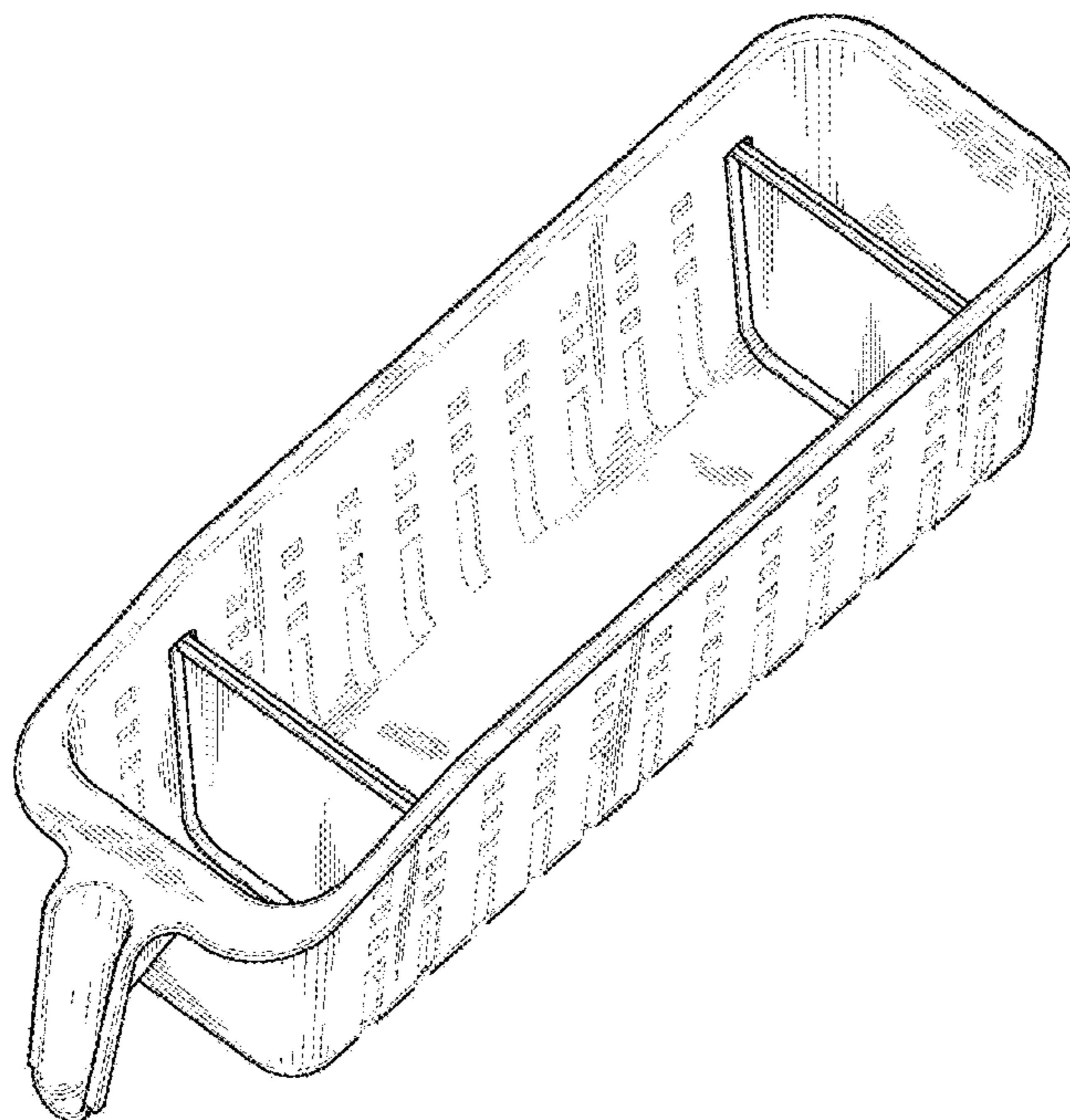
FIG. 1 is a perspective view of an first embodiment of a bin; FIG. 2 is a side plan view thereof, with the opposite side being a mirror image thereof; FIG. 3 is a front plan view thereof; FIG. 4 is a rear plan view thereof; FIG. 5 is a top plan view thereof; FIG. 6 is a bottom plan view thereof; FIG. 7 is a perspective view of another embodiment of a bin; FIG. 8 is a side plan view thereof, with the opposite side being a mirror image thereof; FIG. 9 is a front plan view thereof; FIG. 10 is a rear plan view thereof; FIG. 11 is a top plan view thereof; and, FIG. 12 is a bottom plan view thereof. The broken line showings of FIGS. 1-12 are for illustrative purposes only and form no part of the claimed design.

(56) **References Cited**

U.S. PATENT DOCUMENTS

2,677,483 A *	5/1954	Shaw	A47F 3/14 15/DIG. 9
D274,012 S *	5/1984	Williams	D3/304
D282,883 S *	3/1986	Kiiski	D3/304
D581,720 S *	12/2008	Kellermann	D7/357
D621,619 S *	8/2010	Ripoll	D3/304

1 Claim, 9 Drawing Sheets



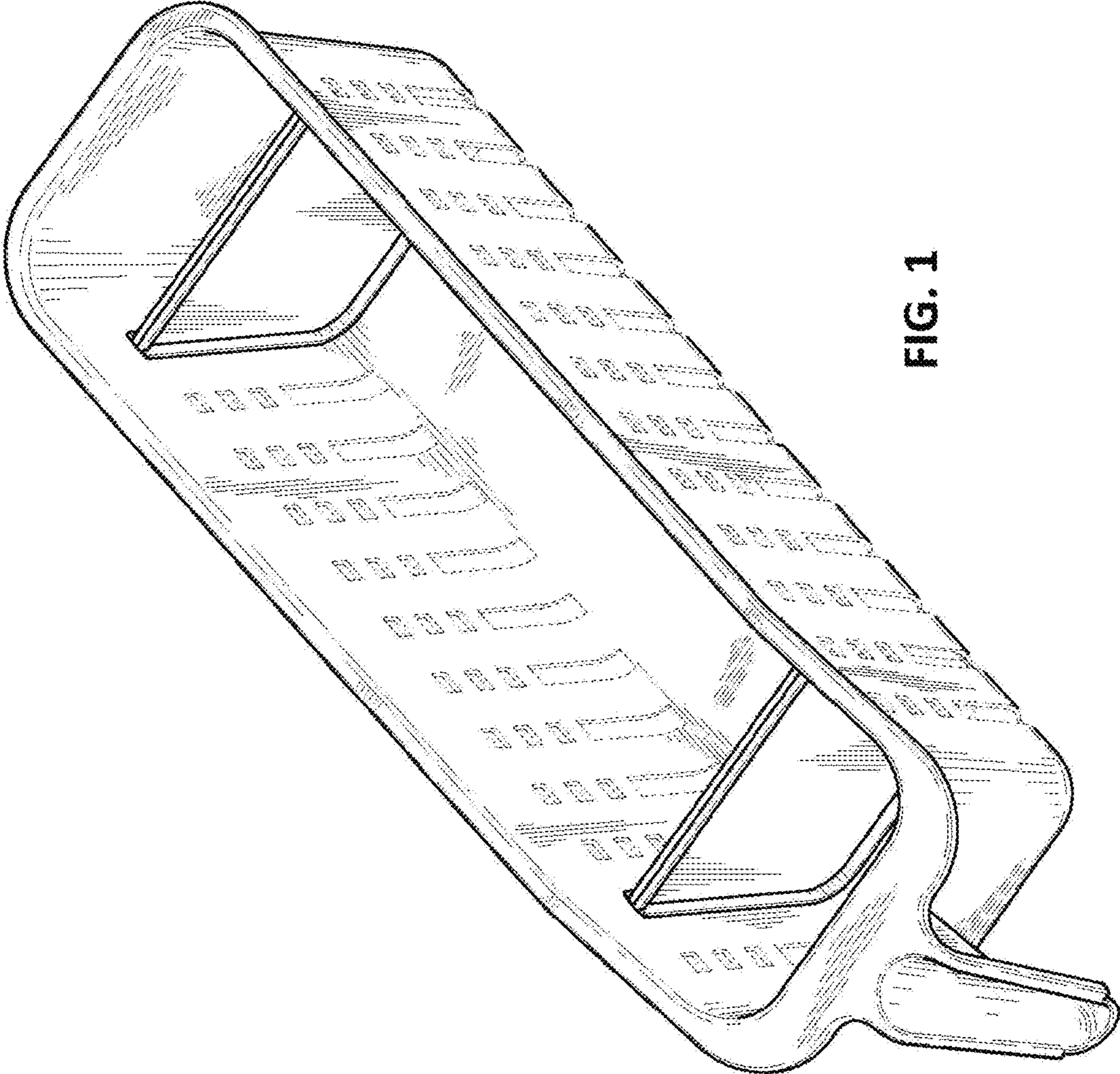


FIG. 1

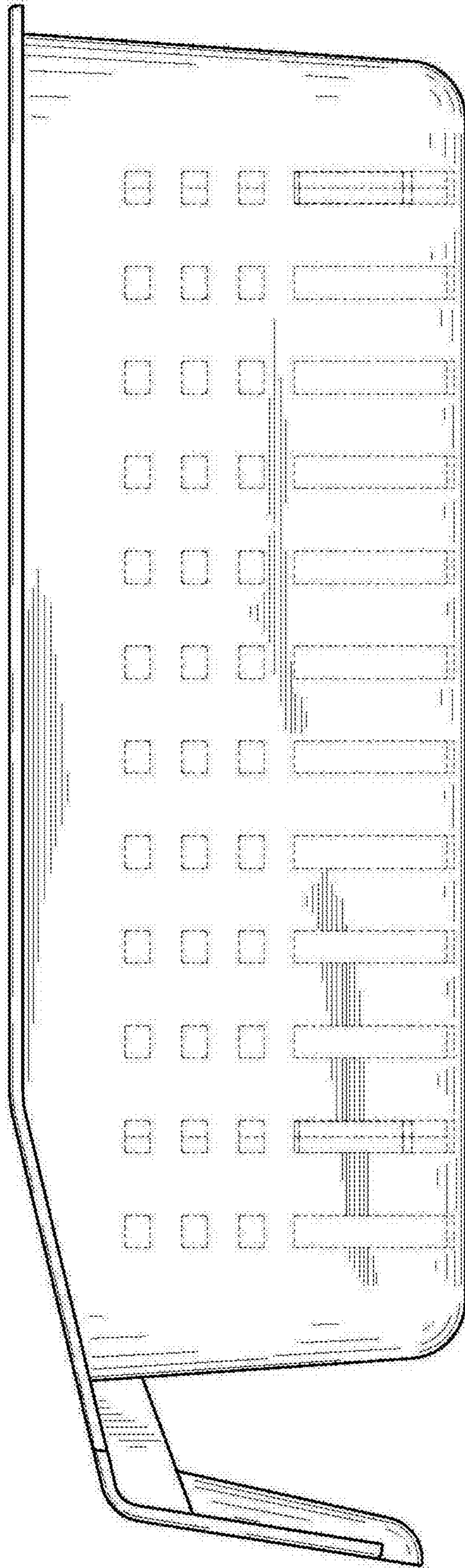


FIG. 2

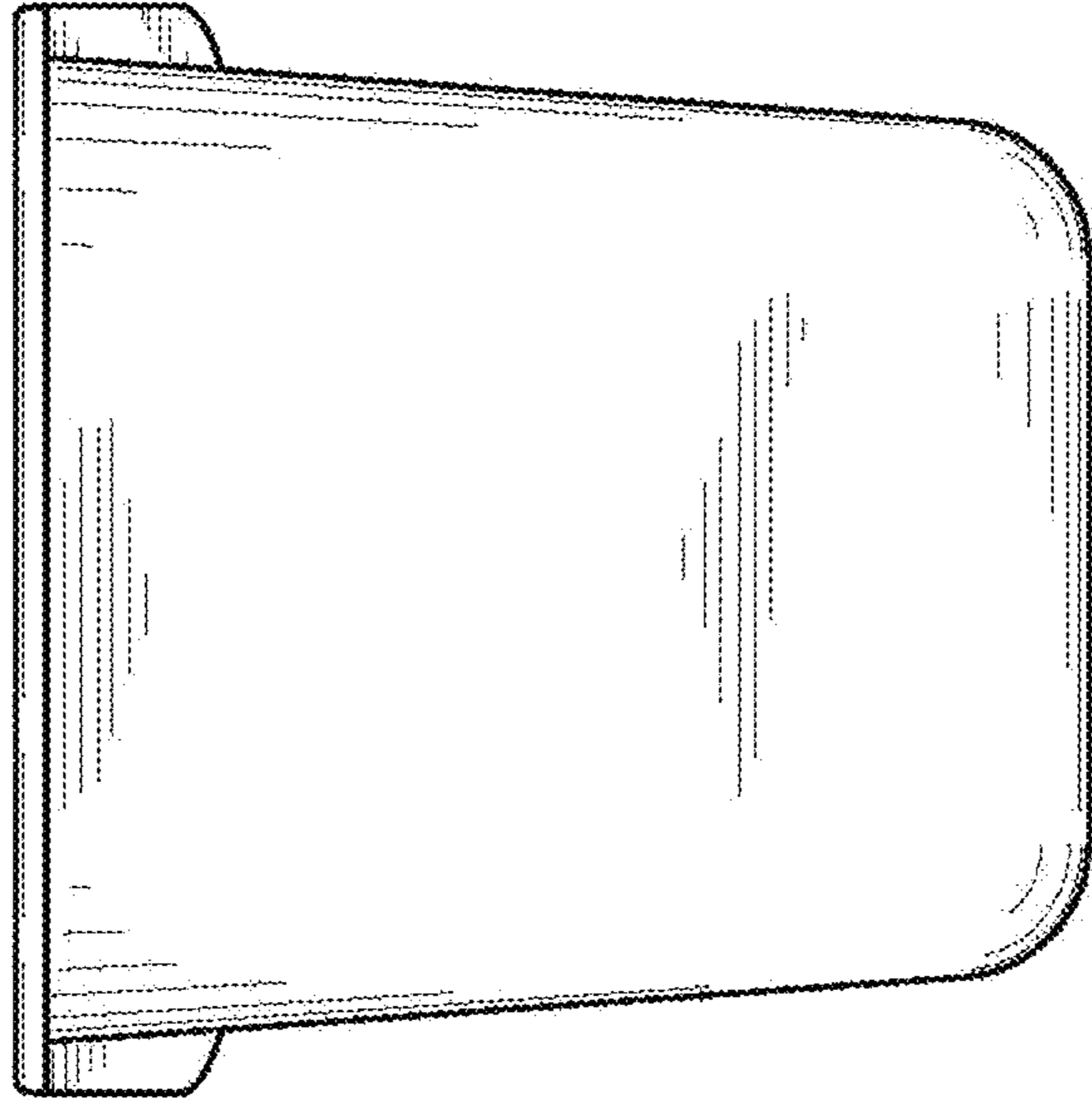


FIG. 4

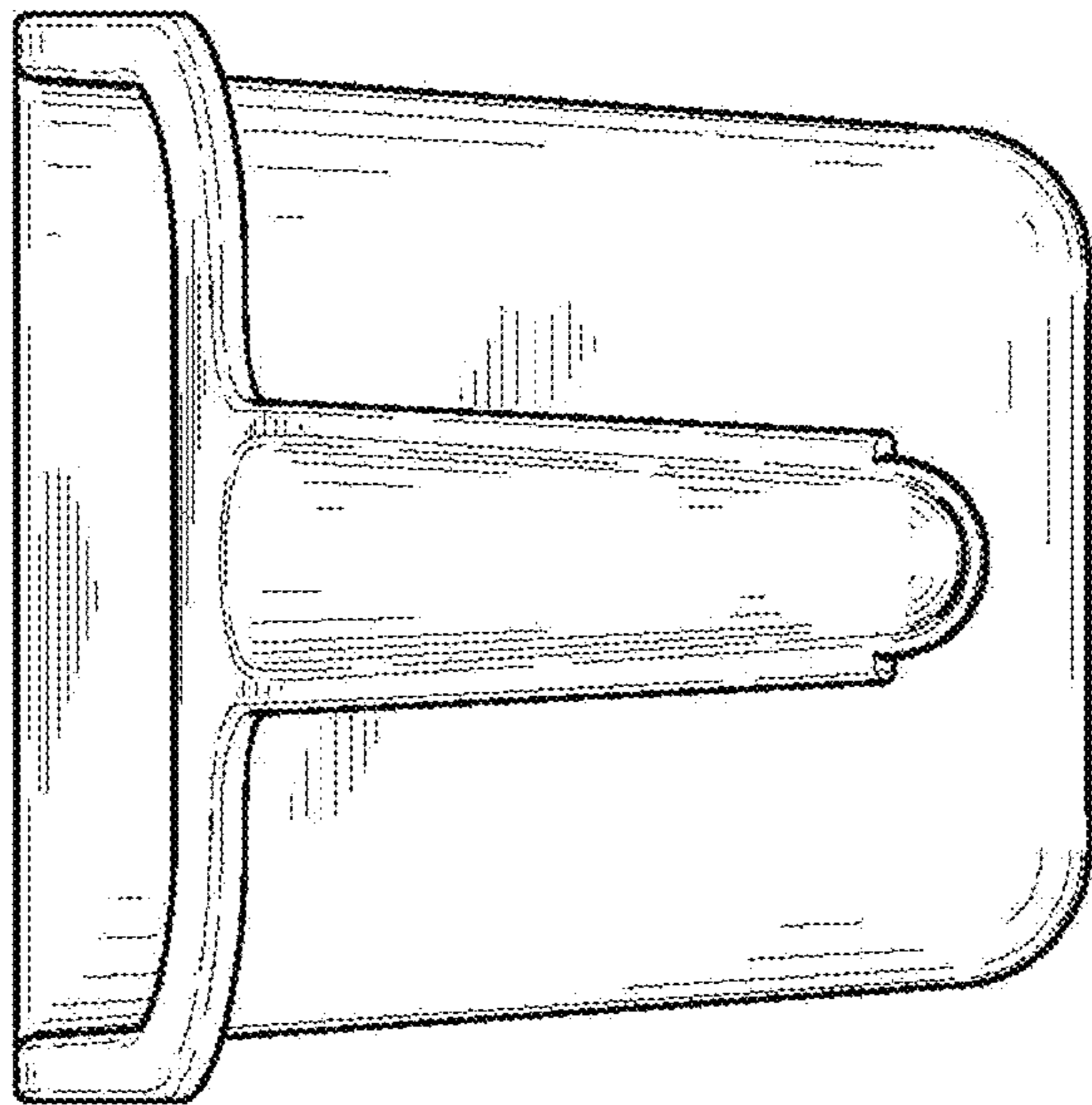


FIG. 3

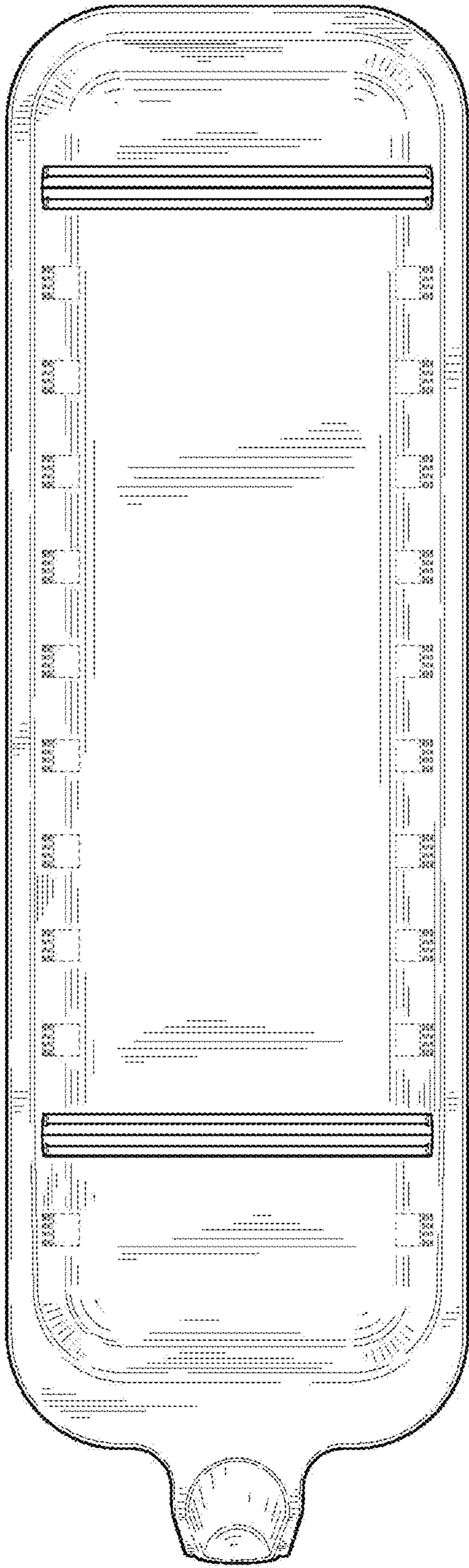


FIG. 5

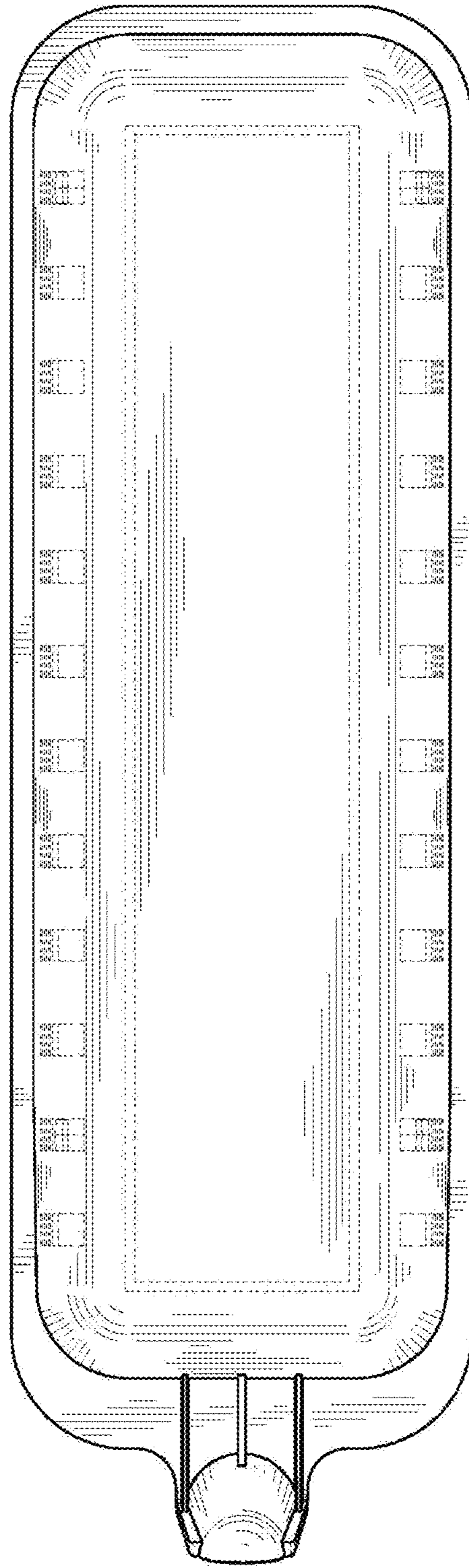


FIG. 6

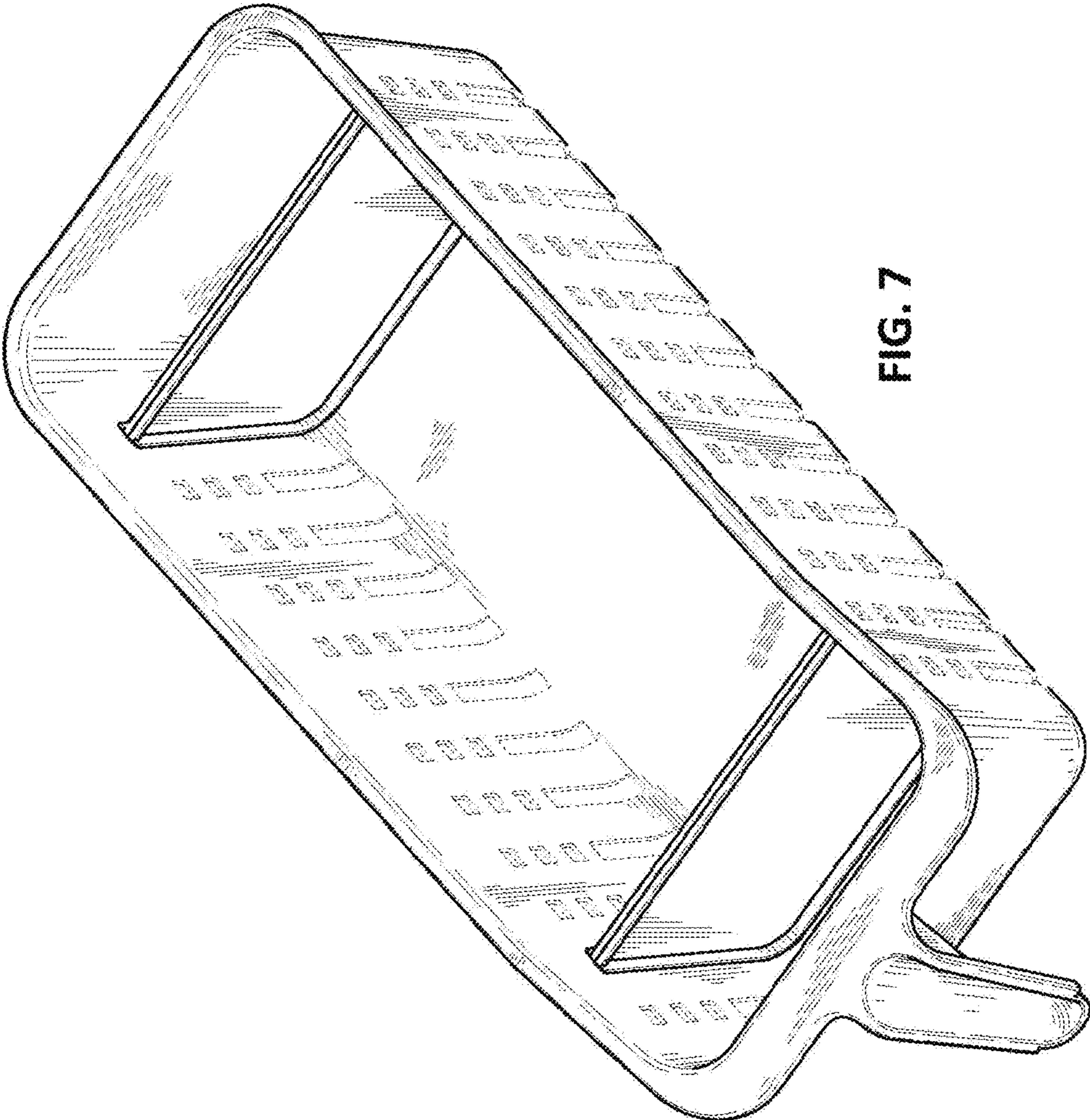


FIG. 7

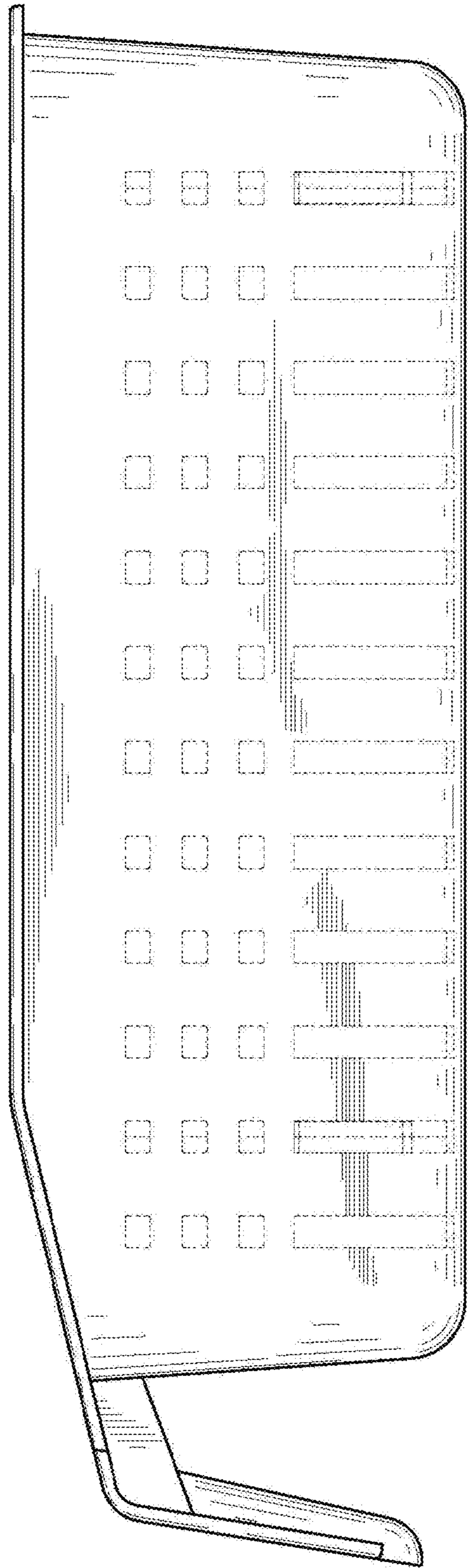


FIG. 8

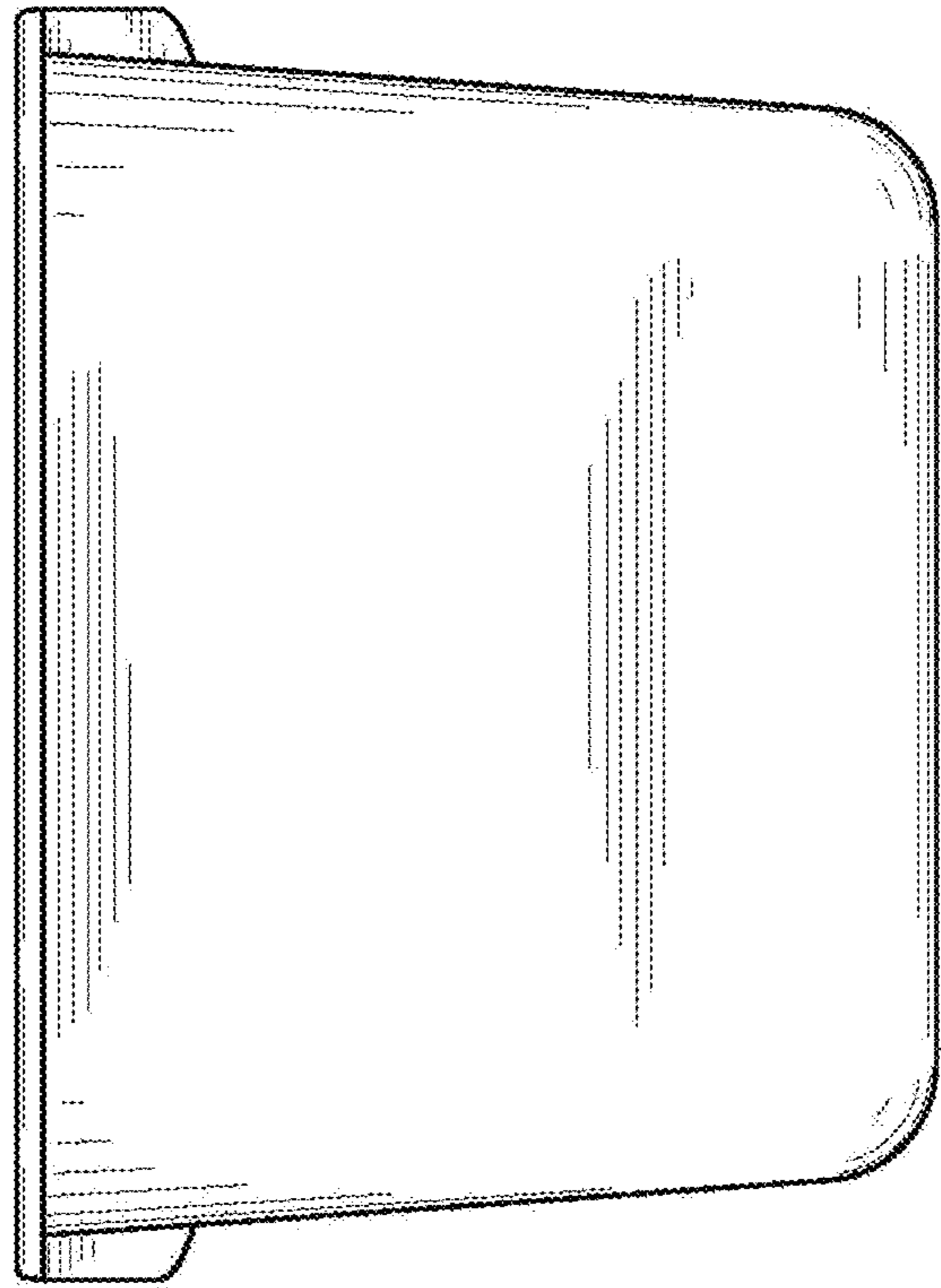


FIG. 10

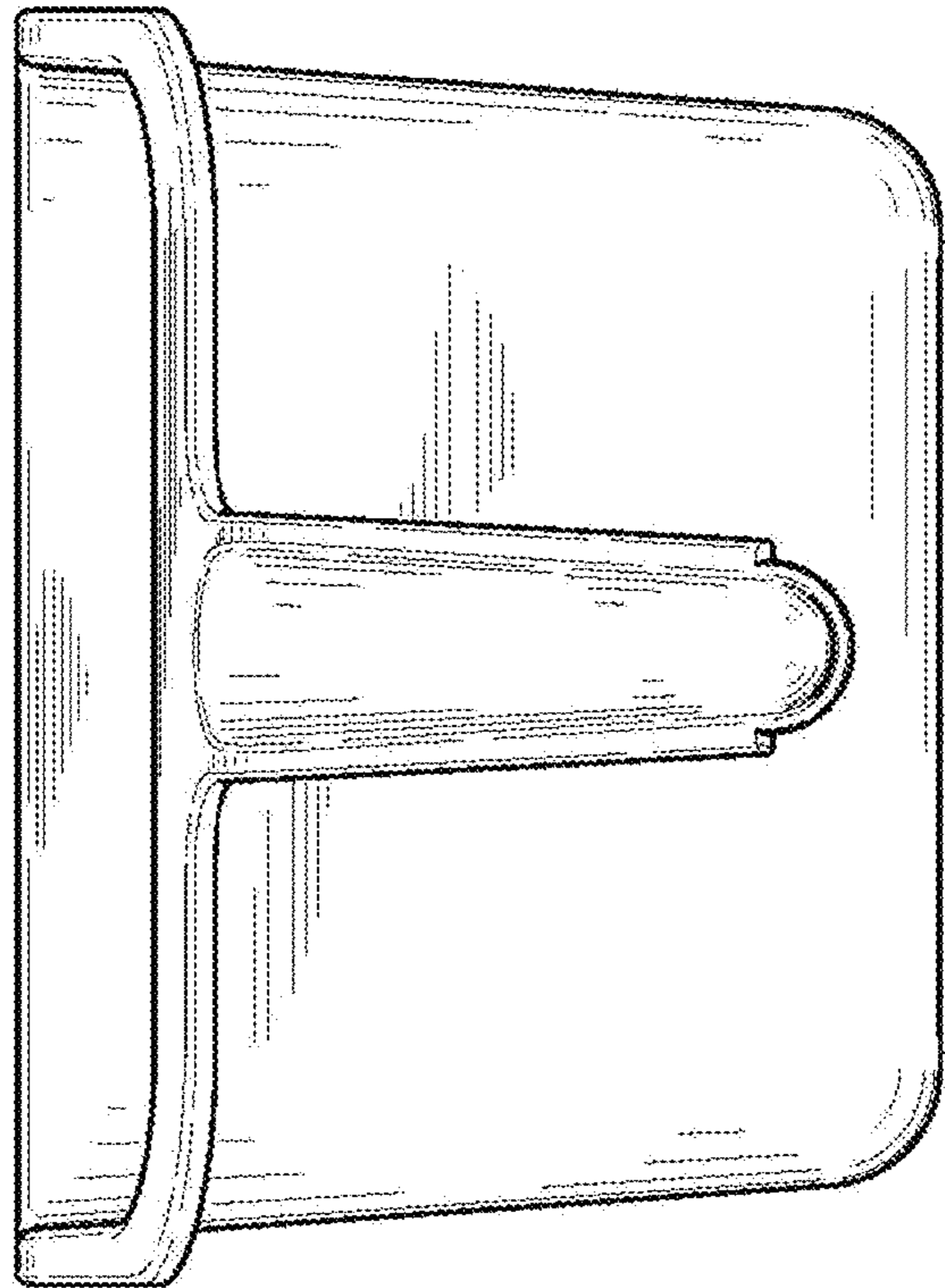


FIG. 9

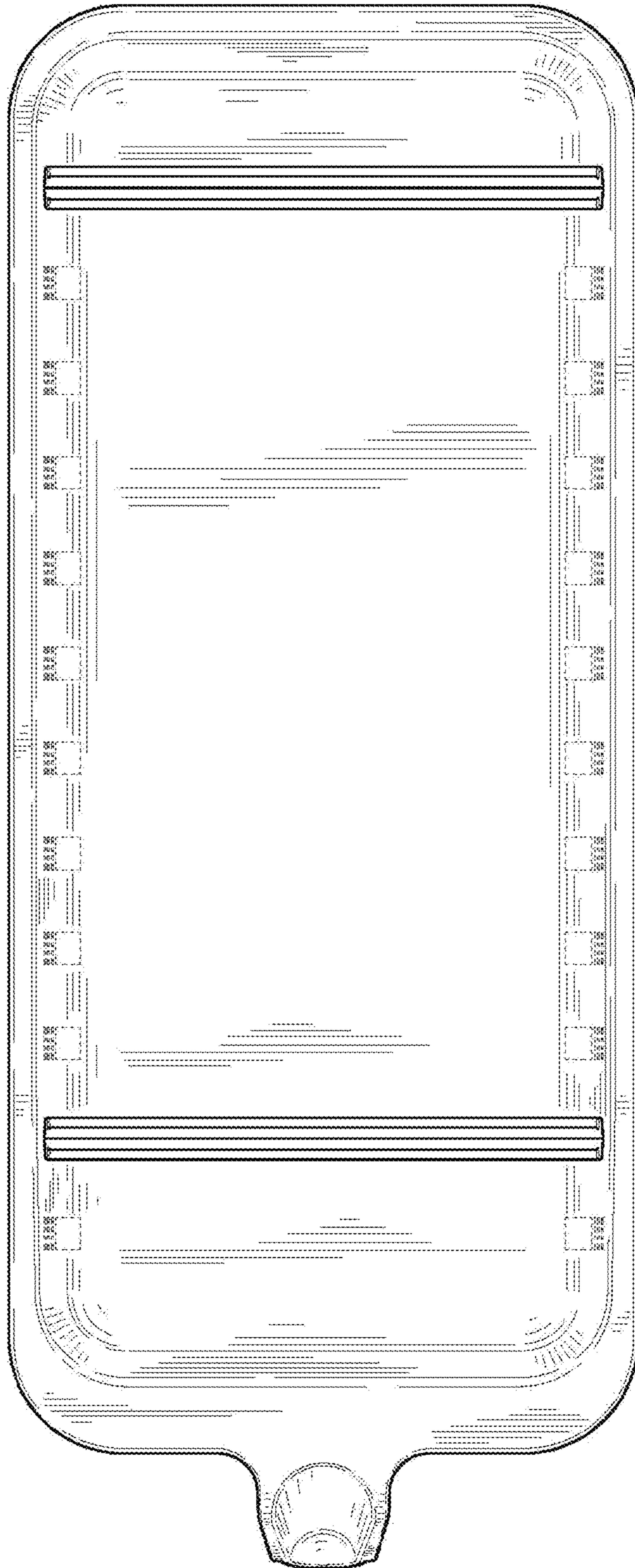


FIG. 11

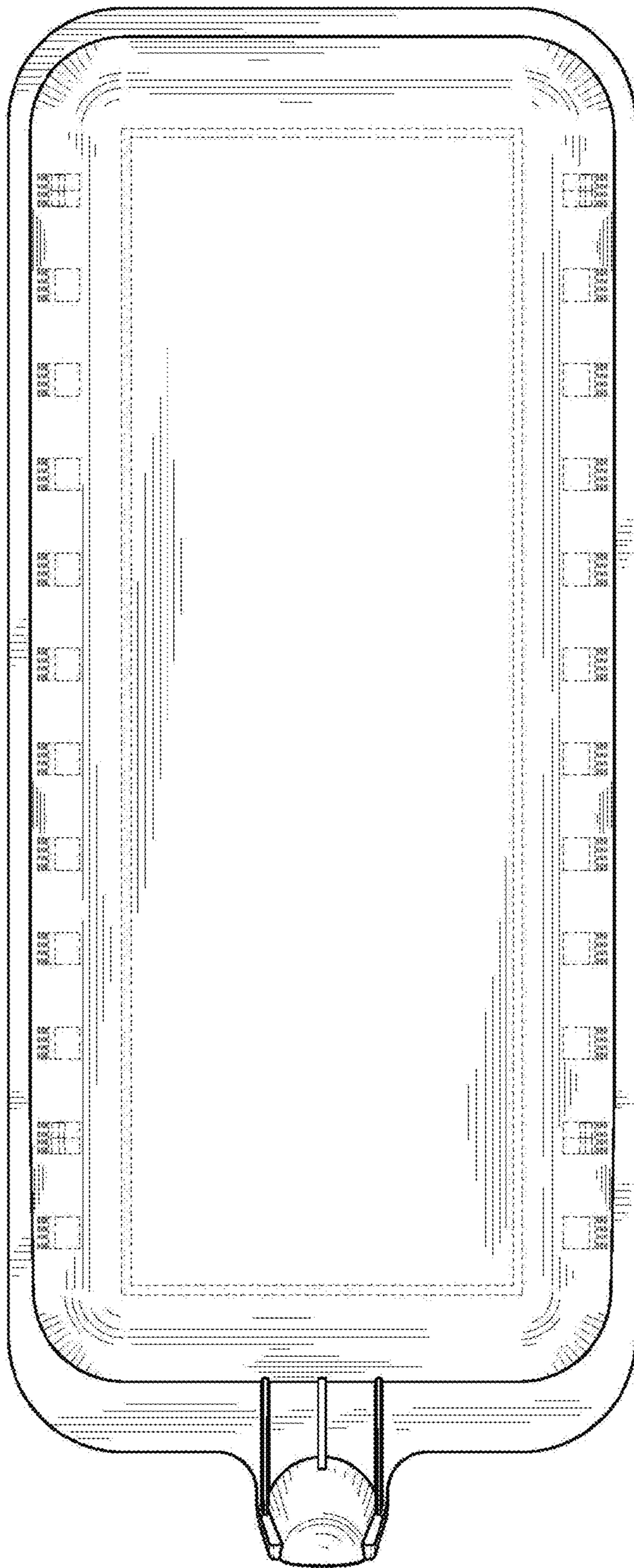


FIG. 12