



US00D815834S

(12) **United States Design Patent**
Felsenthal et al.

(10) **Patent No.:** **US D815,834 S**

(45) **Date of Patent:** **** Apr. 24, 2018**

- (54) **TOTE**
- (71) Applicant: **Whitmor, Inc.**, Southaven, MS (US)
- (72) Inventors: **Sandy Felsenthal**, Memphis, TN (US);
Lauren Budzak, Memphis, TN (US)
- (73) Assignee: **Whitmor, Inc.**, Southaven, MS (US)
- (**) Term: **15 Years**
- (21) Appl. No.: **29/603,859**
- (22) Filed: **May 12, 2017**

D788,466 S *	6/2017	Duvigneau	D3/306
D789,089 S *	6/2017	Duvigneau	D3/306
D795,583 S *	8/2017	Diehl	D3/307
D802,927 S *	11/2017	Thoma	D3/307
D803,015 S *	11/2017	Farrell	D7/667

* cited by examiner

Primary Examiner — Kelley Donnelly

(74) *Attorney, Agent, or Firm* — Stites & Harbison
PLLC; Richard S. Myers, Jr.

(57) **CLAIM**

The ornamental design for a tote, as shown and described.

Related U.S. Application Data

- (63) Continuation-in-part of application No. 29/597,580,
filed on Mar. 17, 2017.
- (51) **LOC (11) Cl.** **03-01**
- (52) **U.S. Cl.**
USPC **D3/307**
- (58) **Field of Classification Search**
USPC D3/304–315; D6/672, 675, 682; D32/37
CPC B65D 1/00; B65D 11/00; B65D 21/00;
B65D 2588/16; D06F 95/002
See application file for complete search history.

DESCRIPTION

FIG. 1 is a top perspective view of the design of a tote showing the new design;
 FIG. 2 is a bottom perspective view of the tote shown in FIG. 1;
 FIG. 3 is a right side elevation view of the tote shown in FIG. 1 (the left side elevation view of the tote is a mirror image of the view shown in FIG. 3);
 FIG. 4 is a front elevation view of the tote shown in FIG. 1 (the rear elevation view of the tote is a mirror image of the view shown in FIG. 4);
 FIG. 5 is a top perspective view of the design of a second embodiment of a tote showing the new design;
 FIG. 6 is a bottom perspective view of the tote shown in FIG. 5;
 FIG. 7 is a right side elevation view of the tote shown in FIG. 5 (the left side elevation view of the tote is a mirror image of the view shown in FIG. 7); and,
 FIG. 8 is a front elevation view of the tote shown in FIG. 5 (the rear elevation view of the tote is a mirror image of the view shown in FIG. 4).

(56) **References Cited**

U.S. PATENT DOCUMENTS

D466,301 S *	12/2002	Sofy	D3/307
D504,017 S *	4/2005	Zimmerman	D3/309
D550,912 S *	9/2007	Kempske	D32/37
D643,585 S *	8/2011	Duvigneau	D32/37
D663,257 S *	7/2012	Stroud	D12/425
D706,508 S *	6/2014	Duvigneau	D32/37
D728,939 S *	5/2015	Suomela	D3/304
D746,593 S *	1/2016	Kroll	D3/307
D772,575 S *	11/2016	Stelmarski	D3/304
D777,434 S *	1/2017	Duvigneau	D3/307

1 Claim, 6 Drawing Sheets

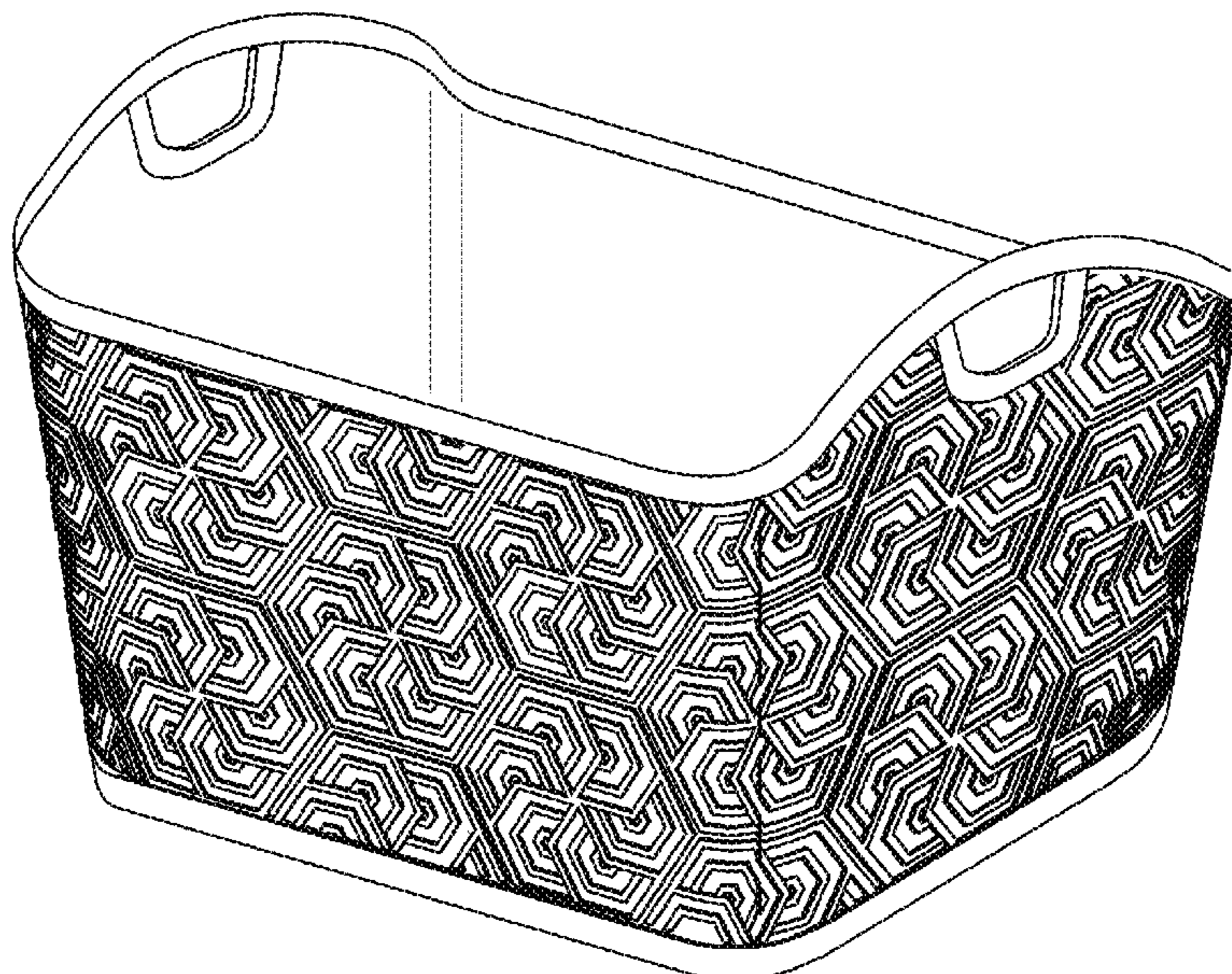


FIG. 1

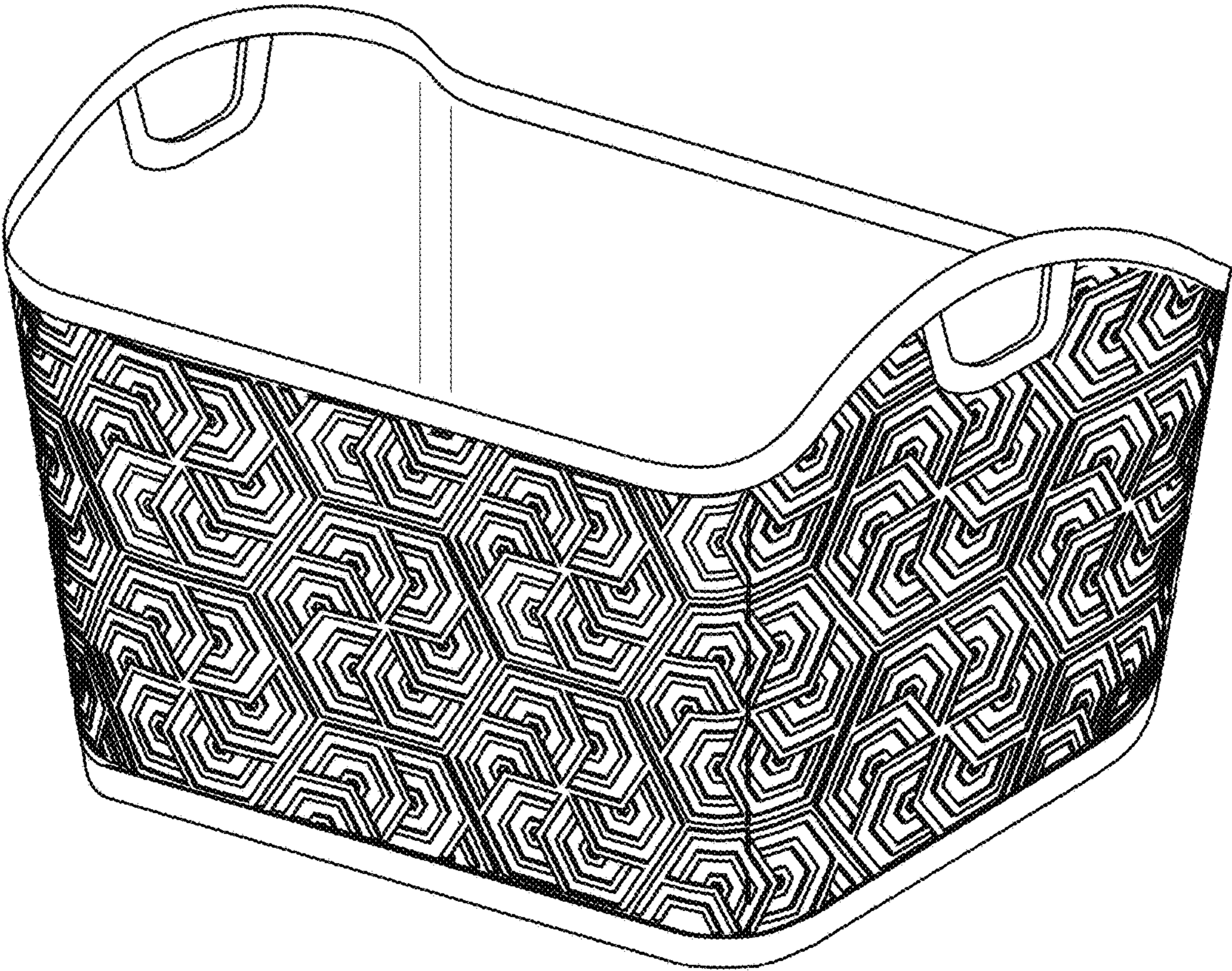


FIG. 2

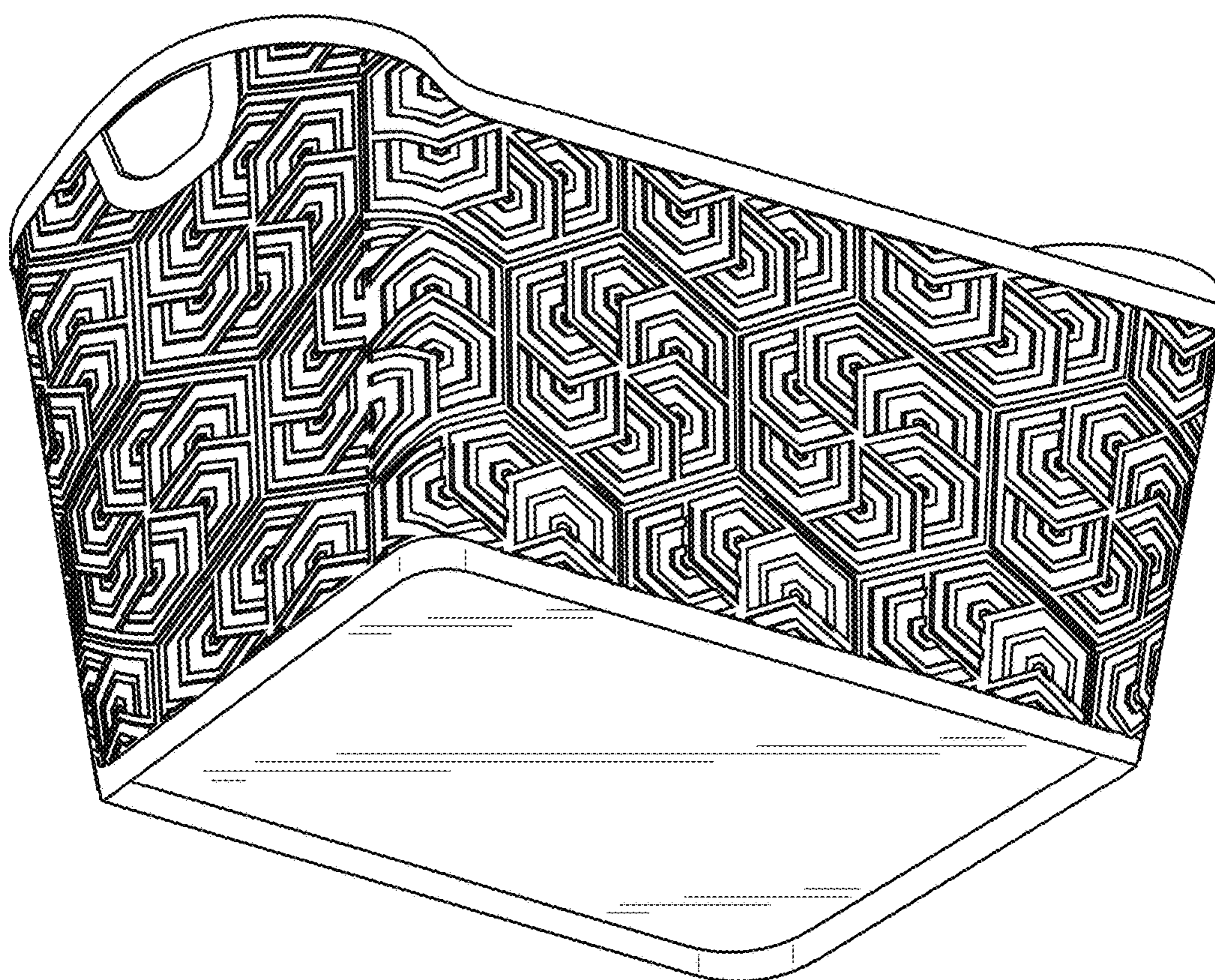


FIG. 3

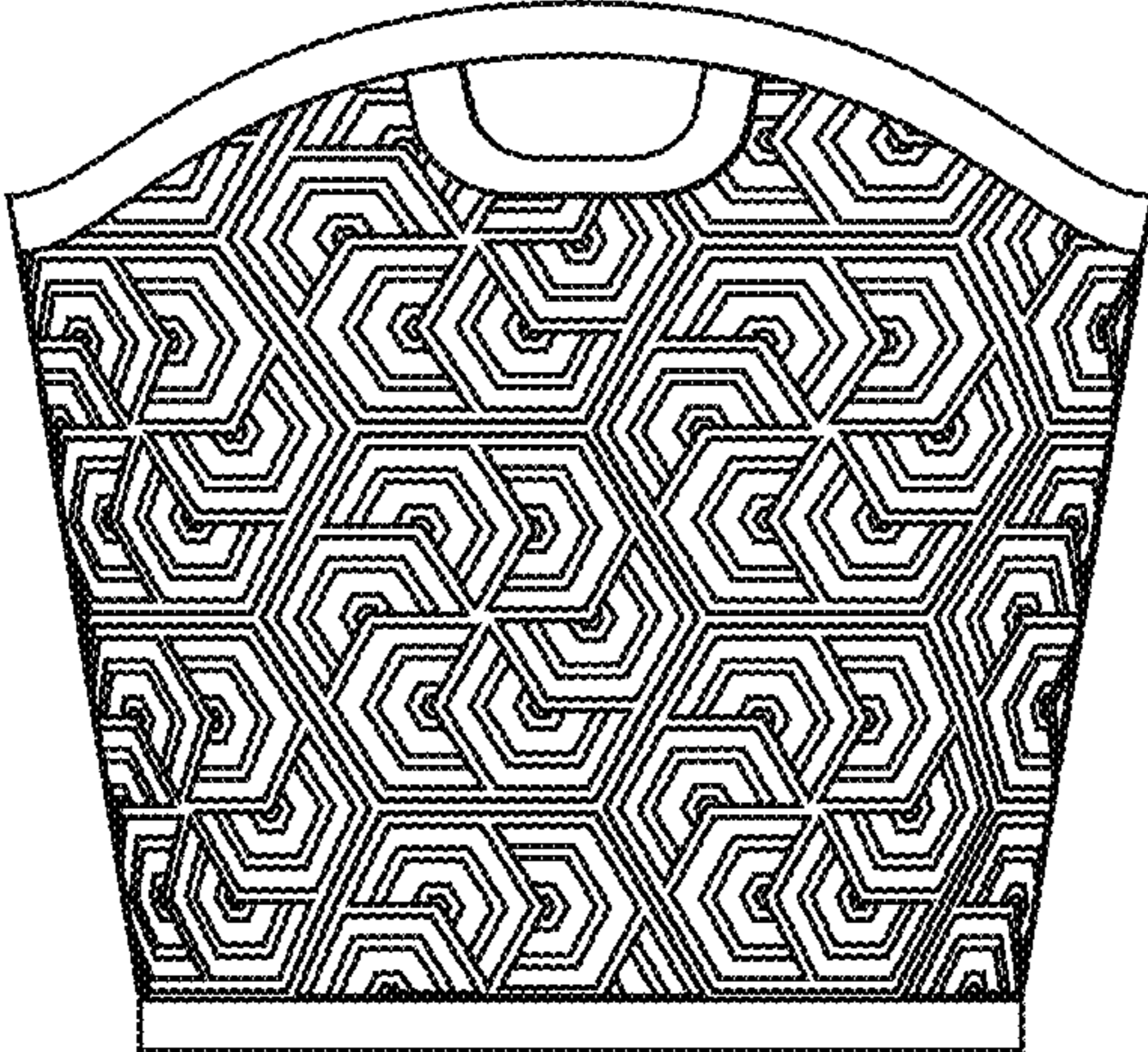


FIG. 4

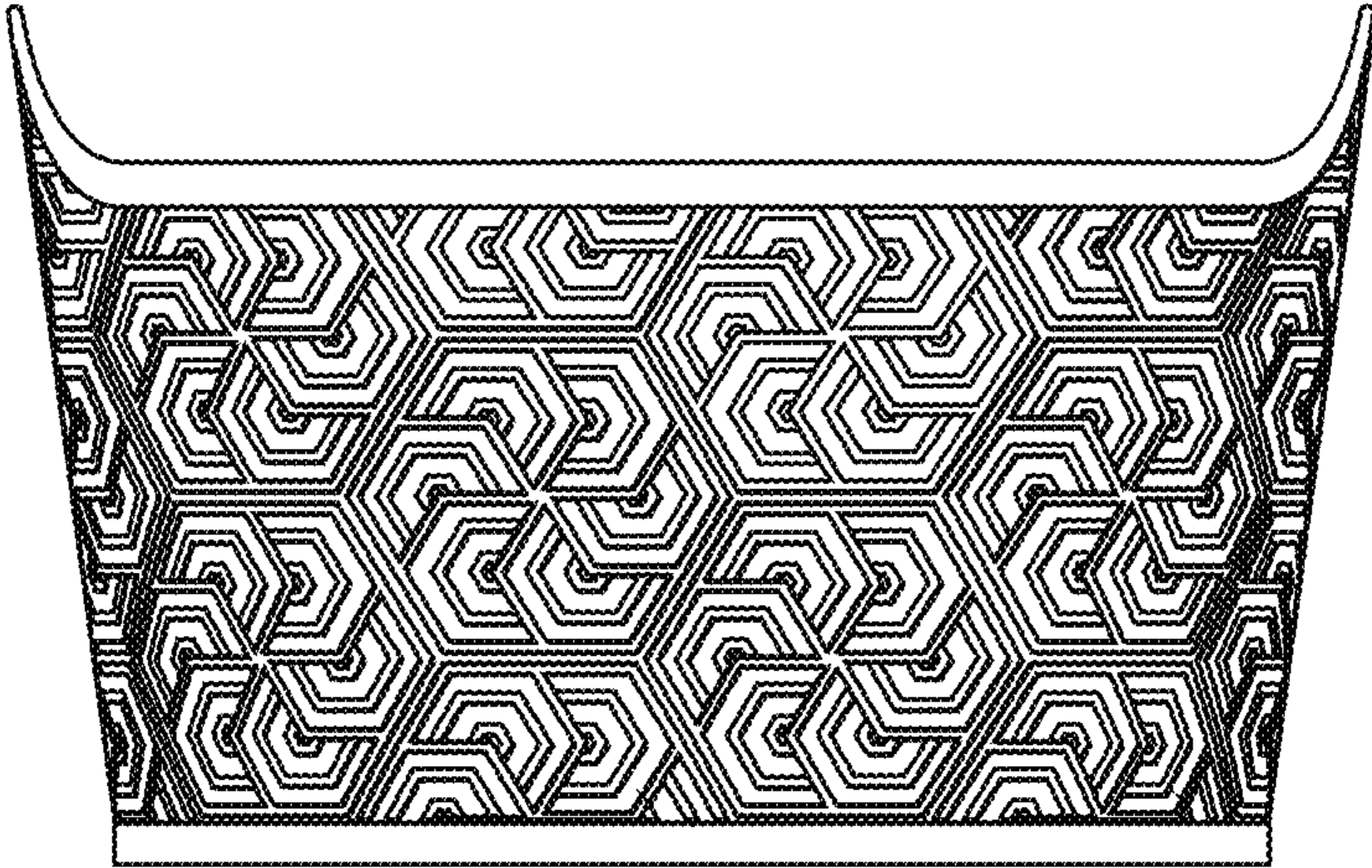


FIG. 5

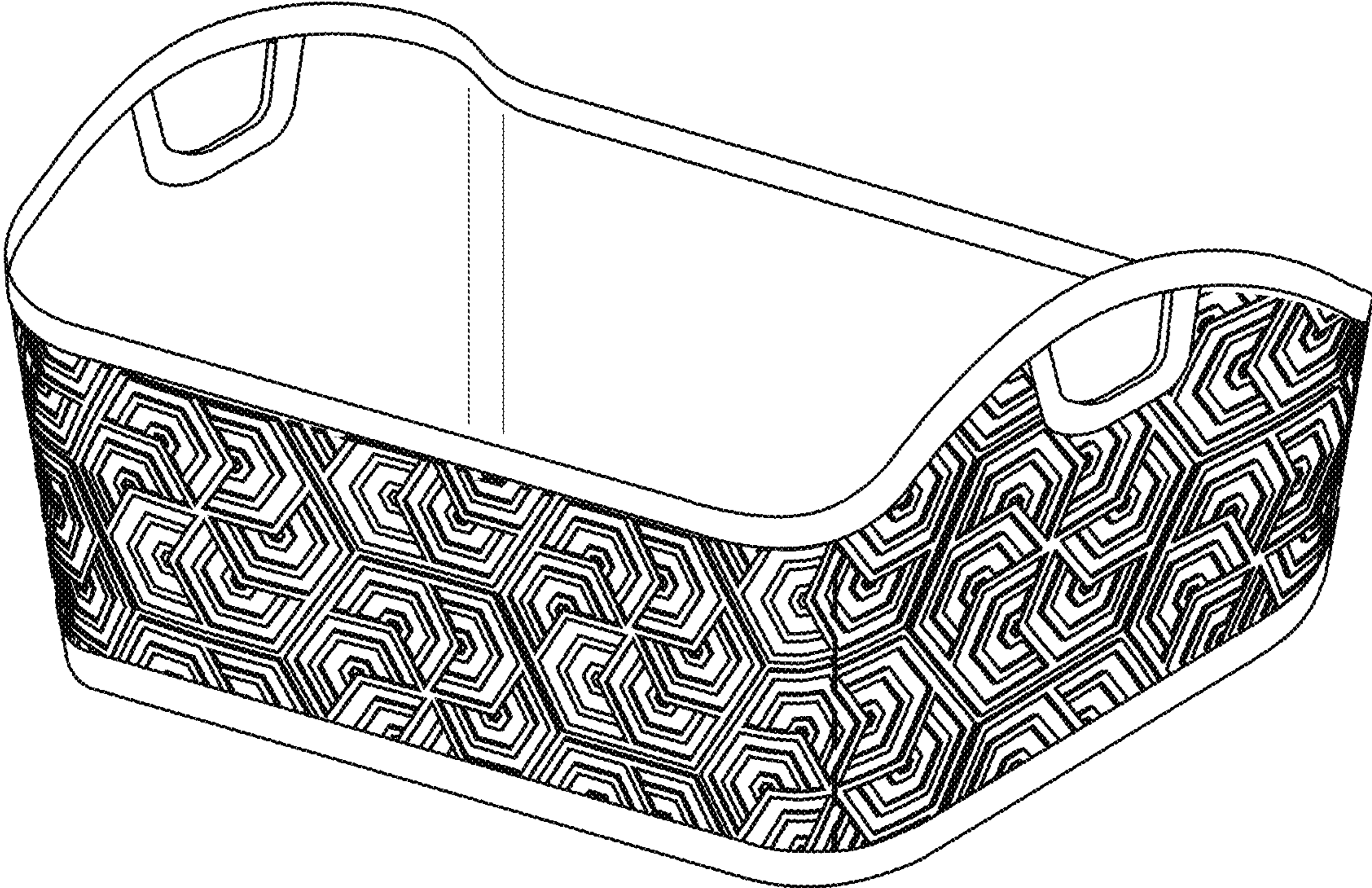


FIG. 6

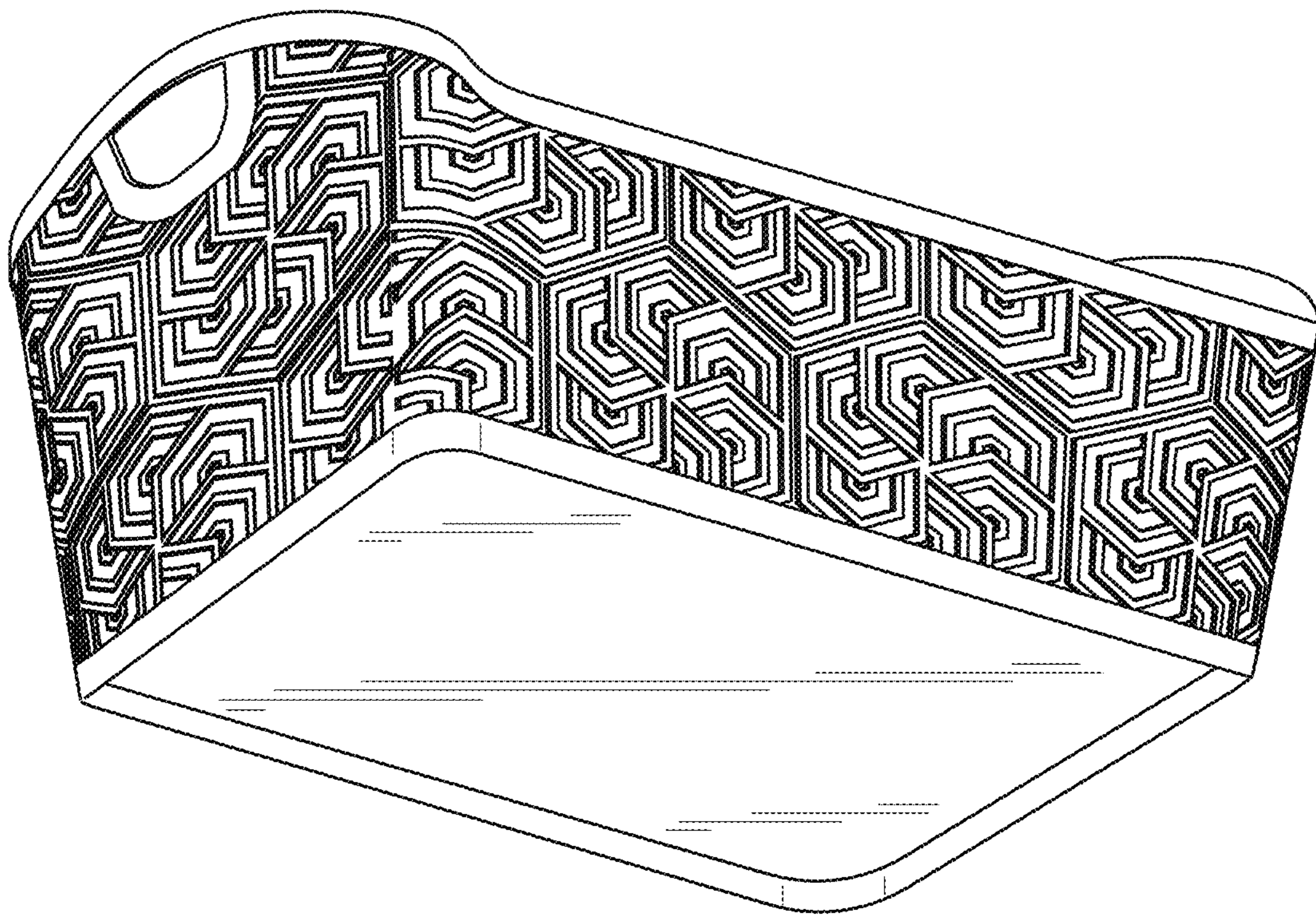


FIG. 7

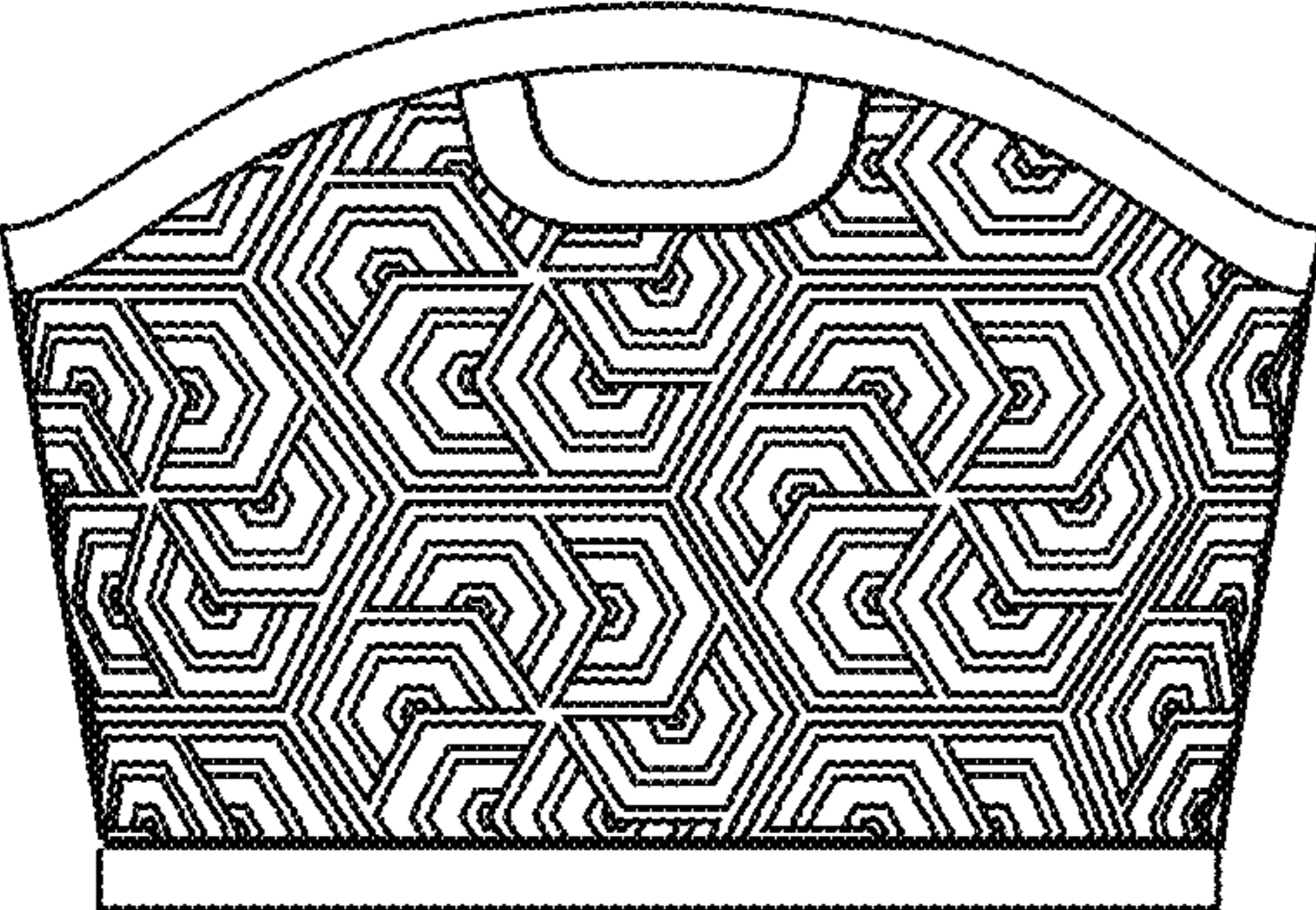


FIG. 8

