



US00D815833S

(12) **United States Design Patent** (10) **Patent No.:** **US D815,833 S**
Ng (45) **Date of Patent:** **** Apr. 24, 2018**

(54) BEAD TRAY	2,952,369 A * 9/1960 Rew A61J 7/02 206/0.8
(71) Applicant: Choon's Design LLC , Wixom, MI (US)	D201,716 S * 7/1965 Franklin D19/107 3,747,756 A * 7/1973 Wheeler B07C 7/04 206/557
(72) Inventor: Cheong Choon Ng , Novi, MI (US)	D237,020 S * 9/1975 Valentine D3/304 D248,078 S * 6/1978 Warnekros 141/98 D262,507 S * 1/1982 Wooldridge D7/698
(73) Assignee: Choon's Design LLC , Wixom, MI (US)	D270,785 S * 10/1983 White D12/425 4,502,612 A * 3/1985 Morrison B65D 63/109 206/540

(**) Term: **15 Years**

(Continued)

(21) Appl. No.: **29/545,239**

OTHER PUBLICATIONS

(22) Filed: **Nov. 11, 2015**

"Bead Sorting Tray." Found online Jun. 2, 2017 at www.jewelerssupplies.com. Page dated Jun. 24, 2008. Retrieved from <URL:https://web.archive.org/web/20080724090324/http://www.jewelerssupplies.com/product2527.html>.*

(51) **LOC (11) Cl.** **09-04**

(52) **U.S. Cl.**
USPC **D3/304**; D19/107

(Continued)

(58) **Field of Classification Search**
USPC D3/304, 201; D7/37, 50, 68, 104, 543, D7/700; D9/424, 425; D10/97; D15/66, D15/140; D24/227; 30/123.5; 141/133; 206/6.1, 528, 540, 557, 564, 566; 209/614, 702, 703; 210/803; 220/23.4, 220/20.5, 377, 524, 555, 573, 675; 221/1, 96, 98, 135, 197, 276, 286, 287, 221/288; 222/131; D19/101, 102, 107
CPC B07C 7/04; A61J 7/02; B65D 75/5866; B65D 83/0409; A44C 27/00
See application file for complete search history.

Primary Examiner — Caron D Veynar
Assistant Examiner — Katelin G Kloberg
(74) *Attorney, Agent, or Firm* — Carlson, Gaskey & Olds P.C.

(57) **CLAIM**

The ornamental design for a bead tray, as shown and described.

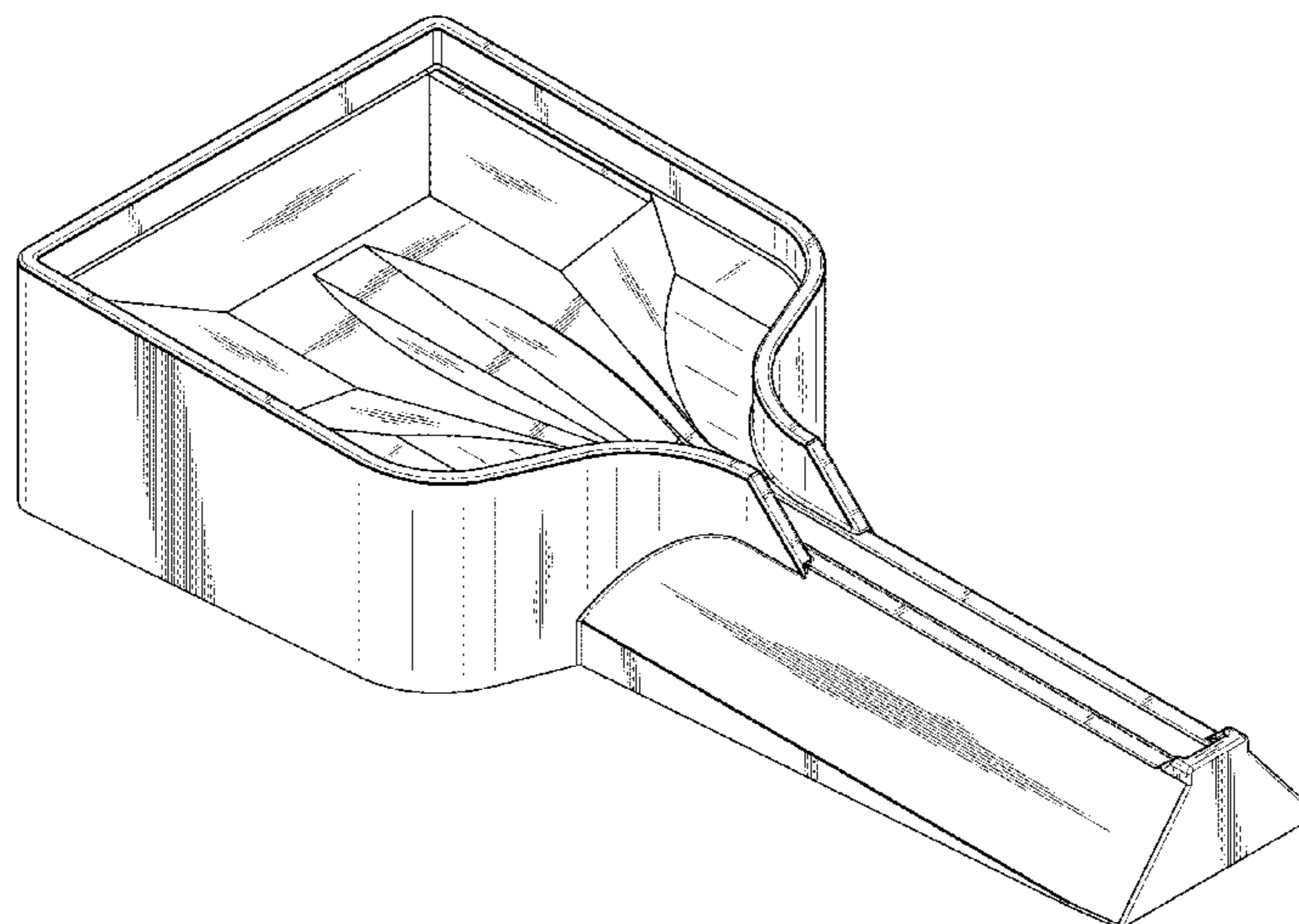
DESCRIPTION

FIG. 1 is a top, right, front perspective view of a bead tray, showing my new design;
FIG. 2 is a top plan view thereof;
FIG. 3 is a right side elevational thereof;
FIG. 4 is a left side elevational view thereof;
FIG. 5 is a rear elevational view thereof;
FIG. 6 is a front elevational view thereof; and,
FIG. 7 is a bottom plan view thereof.
The broken lines illustrate portions of the bead tray that form no part of the claimed design.

(56) **References Cited**
U.S. PATENT DOCUMENTS

221,635 A *	11/1879	Wahl	B65D 1/023 222/572
458,175 A *	8/1891	Larkins	A47J 17/02 141/98
2,530,009 A *	11/1950	Fields	A61J 7/02 222/129
2,754,030 A *	7/1956	Waber	B65D 83/0409 206/540

1 Claim, 5 Drawing Sheets



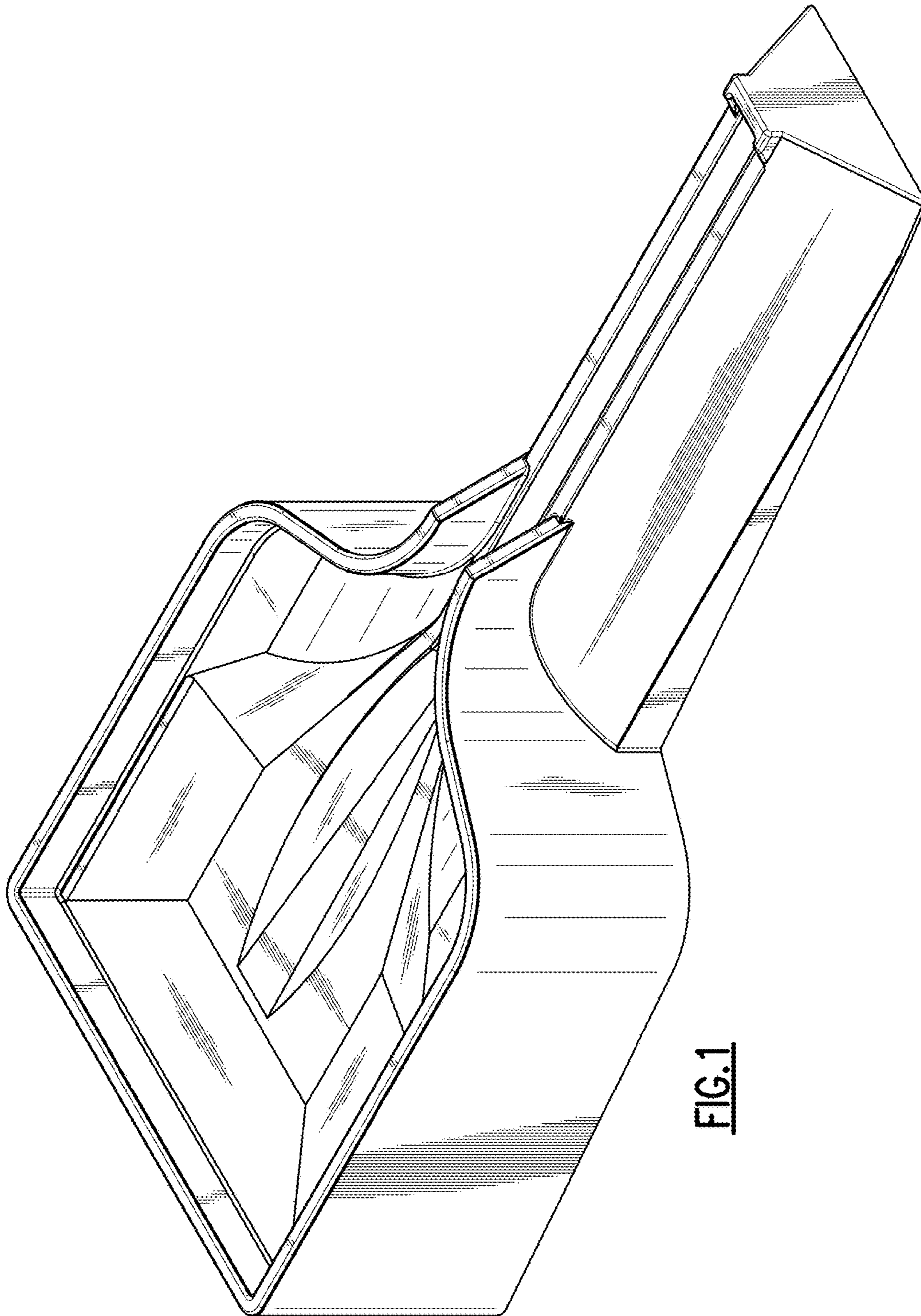


FIG. 1

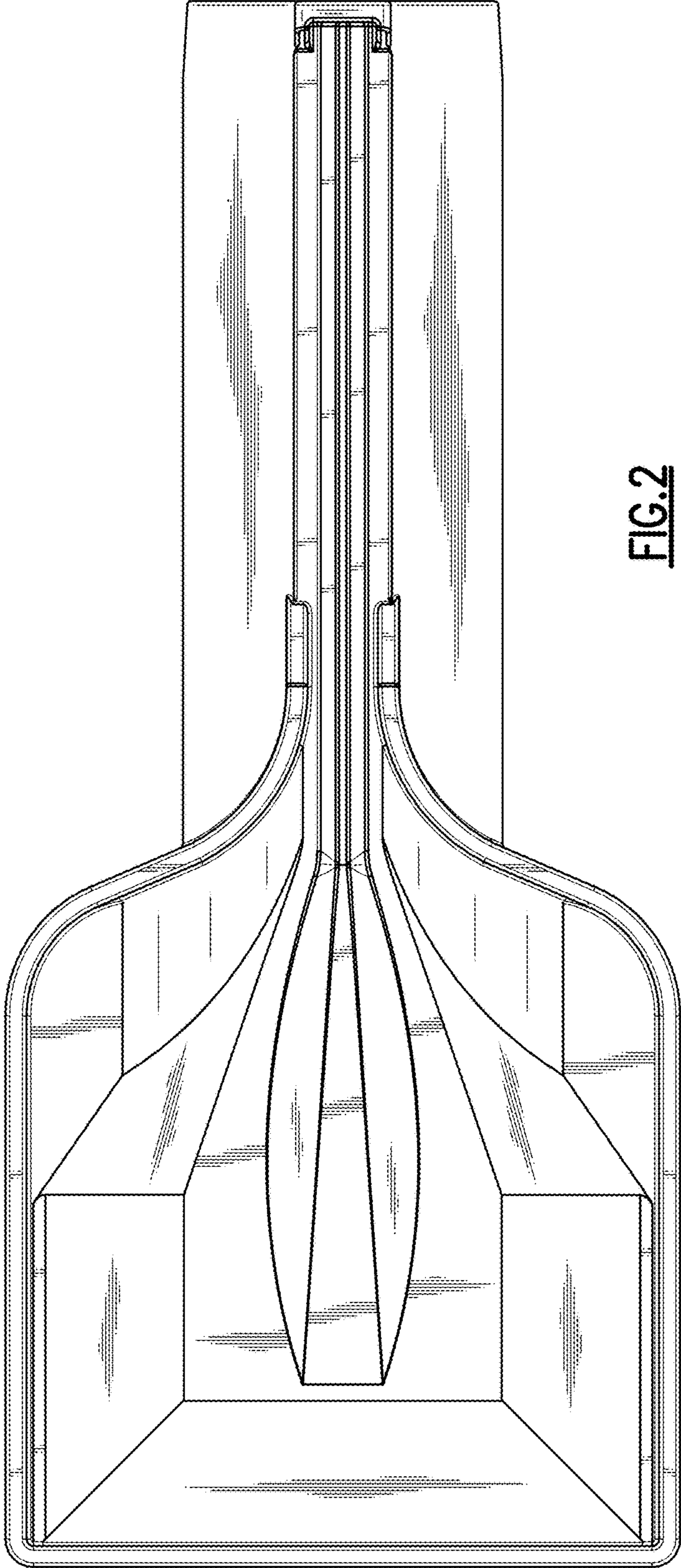


FIG. 2

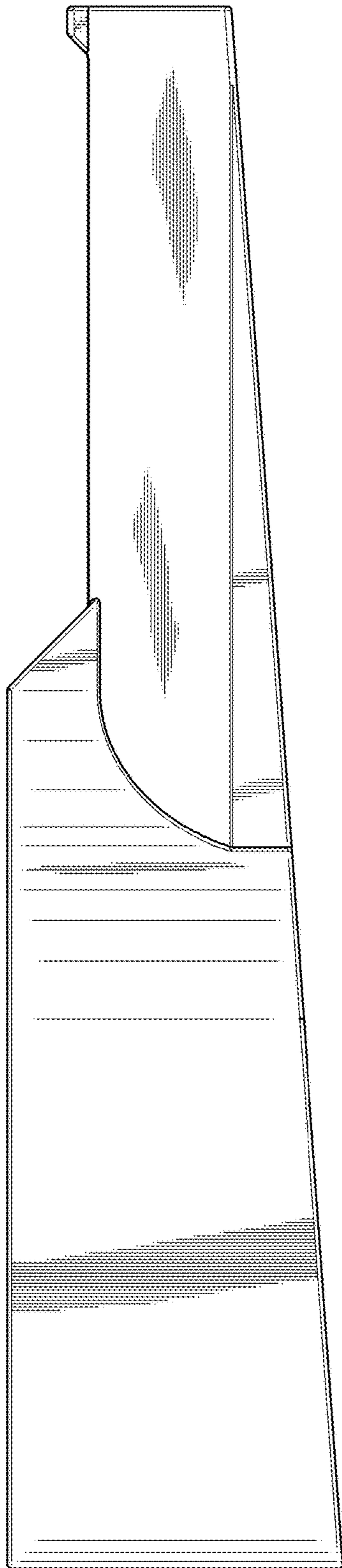


FIG. 3

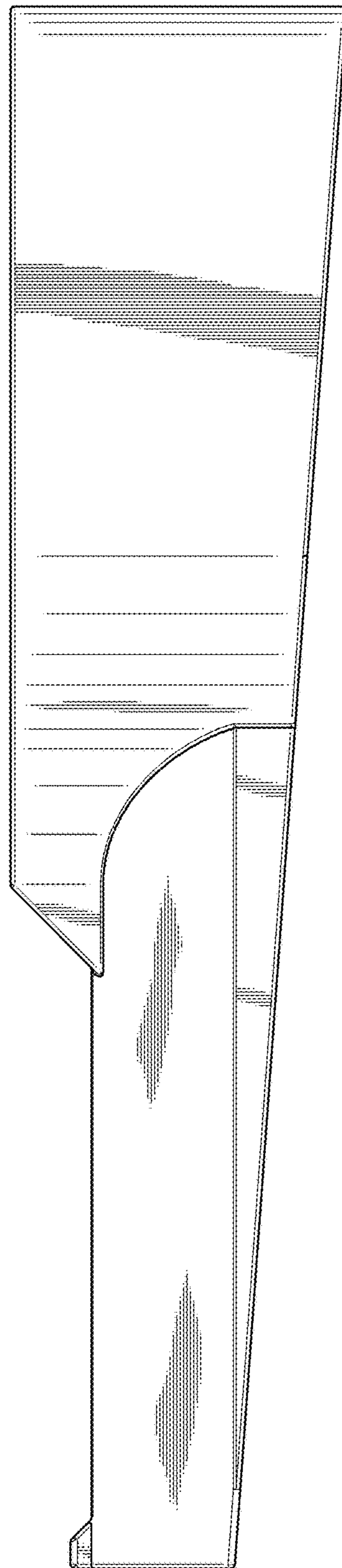


FIG. 4

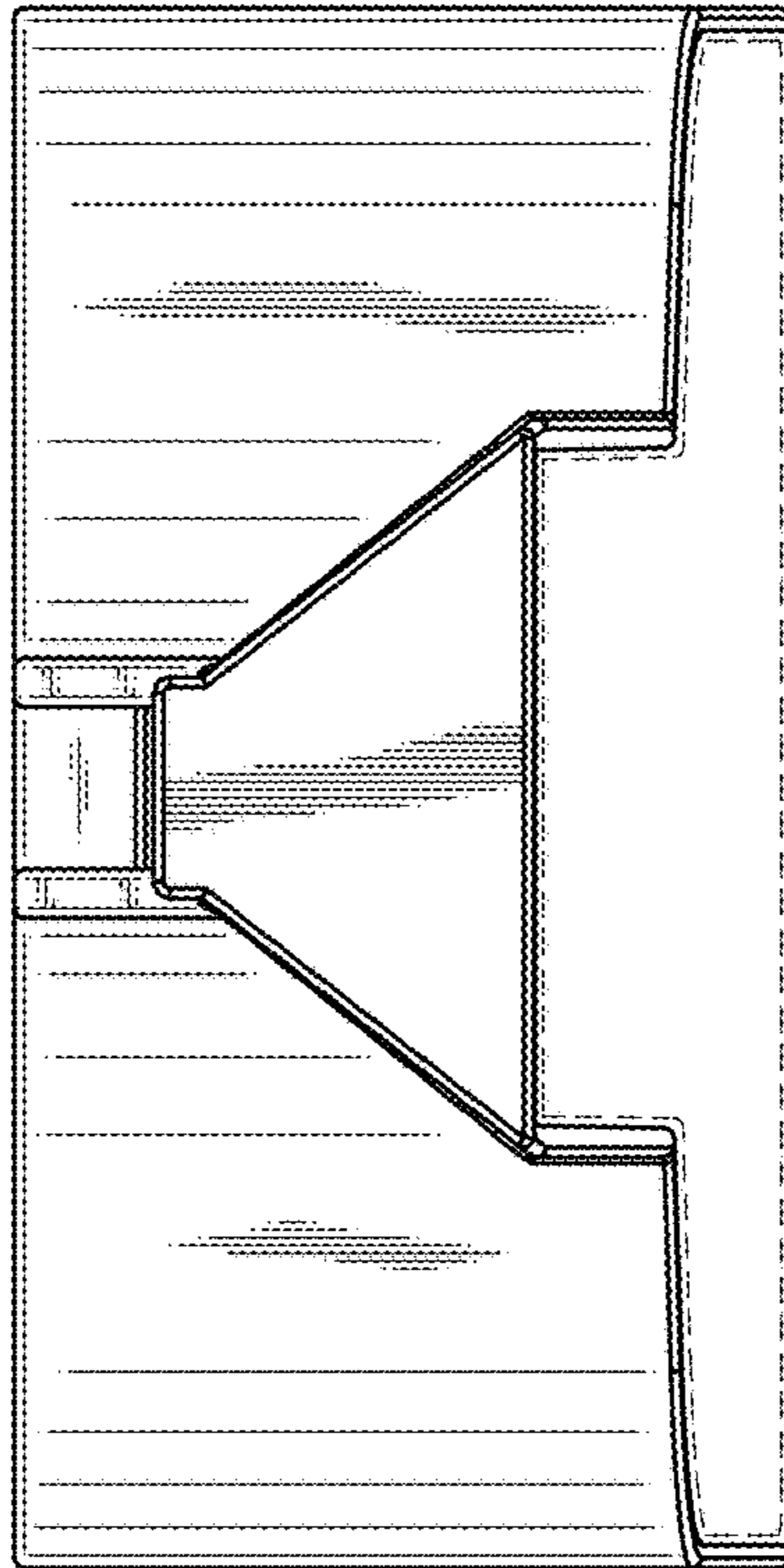


FIG. 6

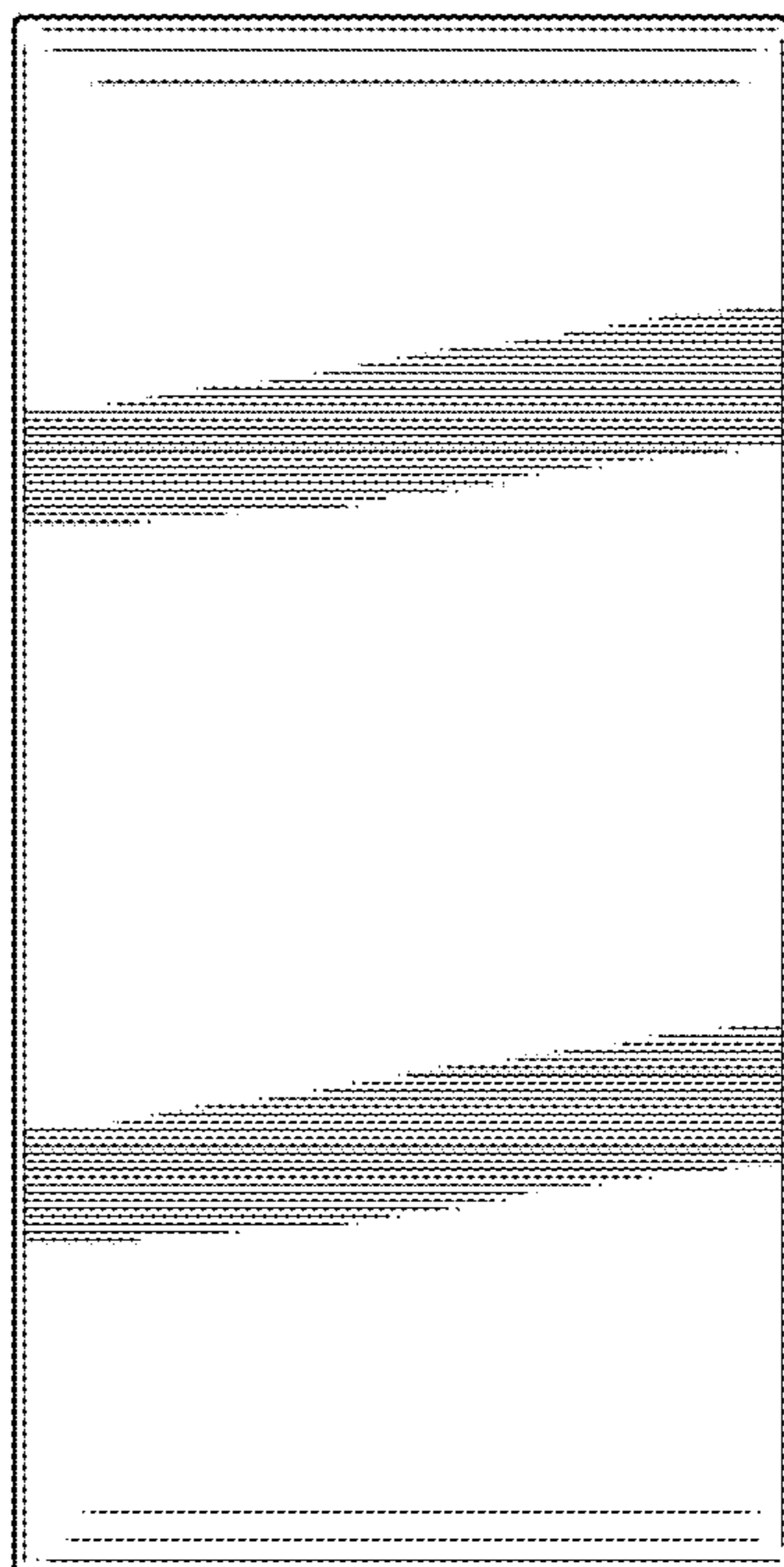


FIG. 5

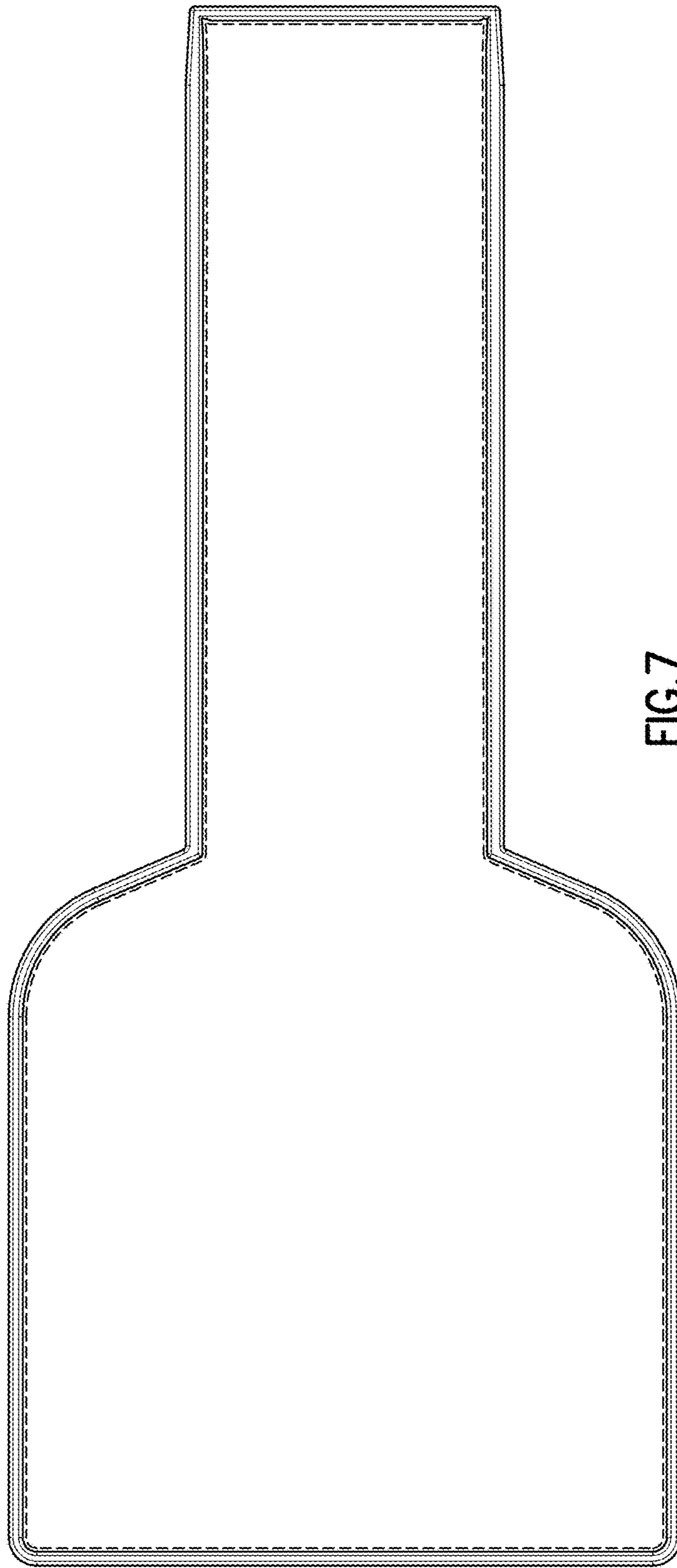


FIG. 7