



US00D815831S

(12) **United States Design Patent**
Tonelli

(10) **Patent No.:** **US D815,831 S**
(45) **Date of Patent:** **** Apr. 24, 2018**

- (54) **CASE**
- (71) Applicant: **G.T LINE—S.R.L.**, Crespellano (IT)
- (72) Inventor: **Massimo Tonelli**, Casalecchio di Reno (IT)
- (73) Assignee: **G.T. LINE—S.R.L.**, Crespellano (IT)
- (**) Term: **14 Years**
- (21) Appl. No.: **29/519,363**
- (22) Filed: **Mar. 4, 2015**

Related U.S. Application Data

- (62) Division of application No. 29/440,463, filed on Dec. 21, 2012, now Pat. No. Des. 727,620.

Foreign Application Priority Data

- Jun. 25, 2012 (EM) 002063230

- (51) **LOC (11) Cl.** **03-01**

- (52) **U.S. Cl.**
USPC **D3/279**; D3/281; D3/905

- (58) **Field of Classification Search**
USPC D3/272, 273, 274, 276, 281, 282, 288, D3/294, 905, 232, 239, 242, 245, 246
CPC . B25H 3/00; B25H 3/02; B25H 3/003; B25H 3/006; B25H 3/021; B25H 3/022; B25H 3/023; B25H 3/025; B25H 3/026; B25H 3/027; B25H 3/028; A45C 5/00; A45C 5/005; A45C 5/03; A45C 2005/037; A45C 5/08; A45C 2005/10

See application file for complete search history.

- (56) **References Cited**

U.S. PATENT DOCUMENTS

- D353,048 S 12/1994 VanSkiver et al.
- D413,202 S 8/1999 Schmitt et al.

- D441,954 S 5/2001 Parker
- D462,519 S 9/2002 Gaydos et al.
- D467,424 S 12/2002 Hardigg et al.
- D467,425 S 12/2002 Hardigg et al.
- D467,426 S 12/2002 Hardigg et al.
- D513,123 S 12/2005 Richardson et al.
- D520,237 S * 5/2006 Cheng D3/276
- D523,242 S 6/2006 Hardigg et al.
- 7,370,891 B1 * 5/2008 Schmitt E05B 17/2053 292/113
- D579,202 S * 10/2008 Grenier D3/294
- 8,297,464 B2 10/2012 Grenier et al.
- D703,436 S * 4/2014 Sabbag D3/281
- D711,105 S * 8/2014 Brunner D3/281
- D727,620 S * 4/2015 Tonelli D3/276
- D742,640 S * 11/2015 Sabbag D3/281
- D758,729 S * 6/2016 Tonelli D3/279
- D759,971 S * 6/2016 Riddiford D3/279
- 2005/0001435 A1 * 1/2005 Parker A45C 13/1084 292/116

(Continued)

Primary Examiner — Jennifer Rivard

Assistant Examiner — April Rivas

(74) *Attorney, Agent, or Firm* — Cantor Colburn LLP

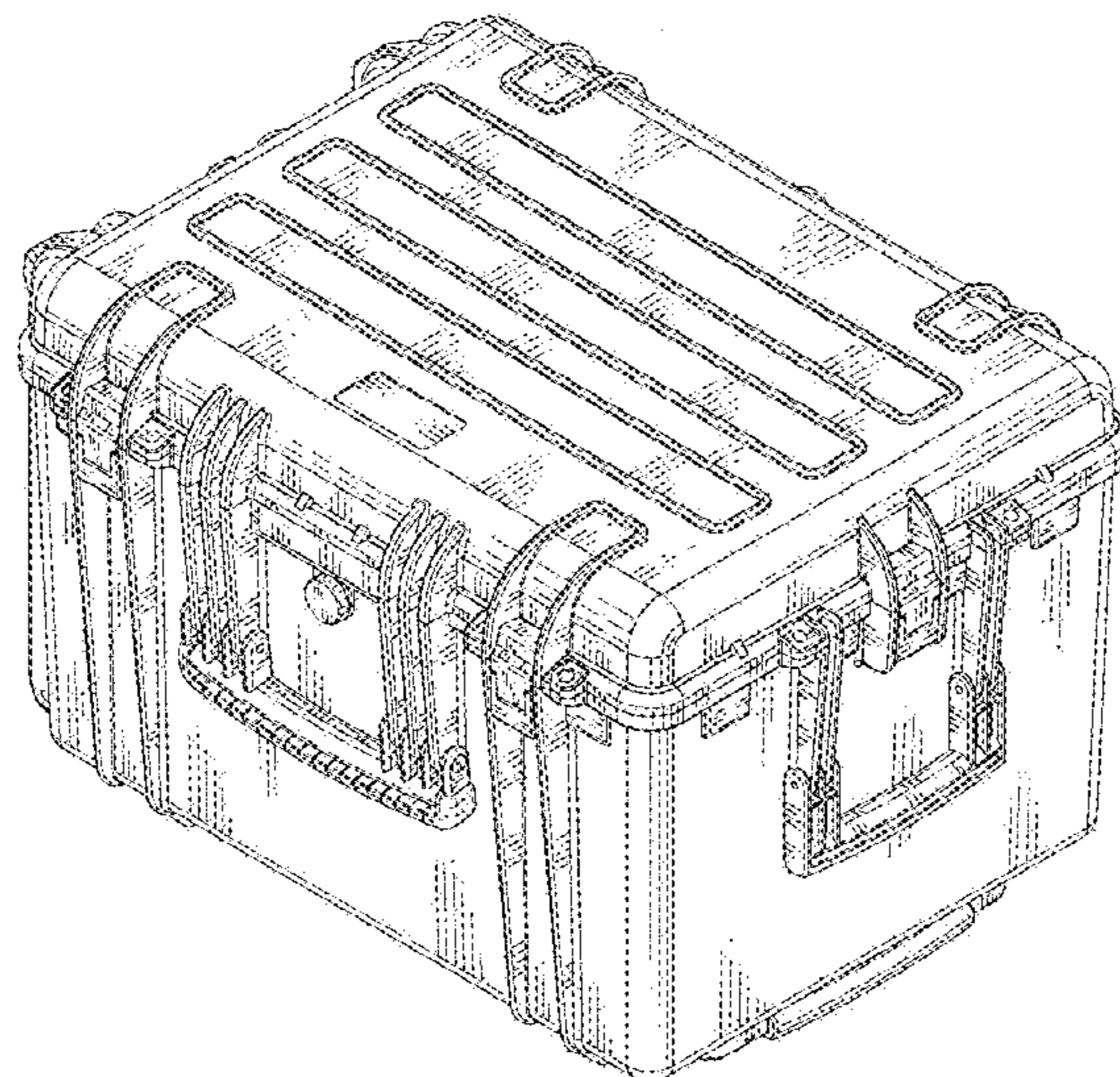
(57) **CLAIM**

The ornamental design for a case, as shown and described.

DESCRIPTION

- FIG. 1 is a perspective view of a case showing my new design;
- FIG. 2 is a front view thereof;
- FIG. 3 is a rear view thereof;
- FIG. 4 is a left side view thereof;
- FIG. 5 is a right side view thereof;
- FIG. 6 is a top view thereof;
- FIG. 7 is a bottom view thereof; and,
- FIG. 8 is a bottom perspective view thereof.

1 Claim, 8 Drawing Sheets



(56)

References Cited

U.S. PATENT DOCUMENTS

2006/0278485 A1 * 12/2006 Tonelli A45F 3/14
190/116

* cited by examiner

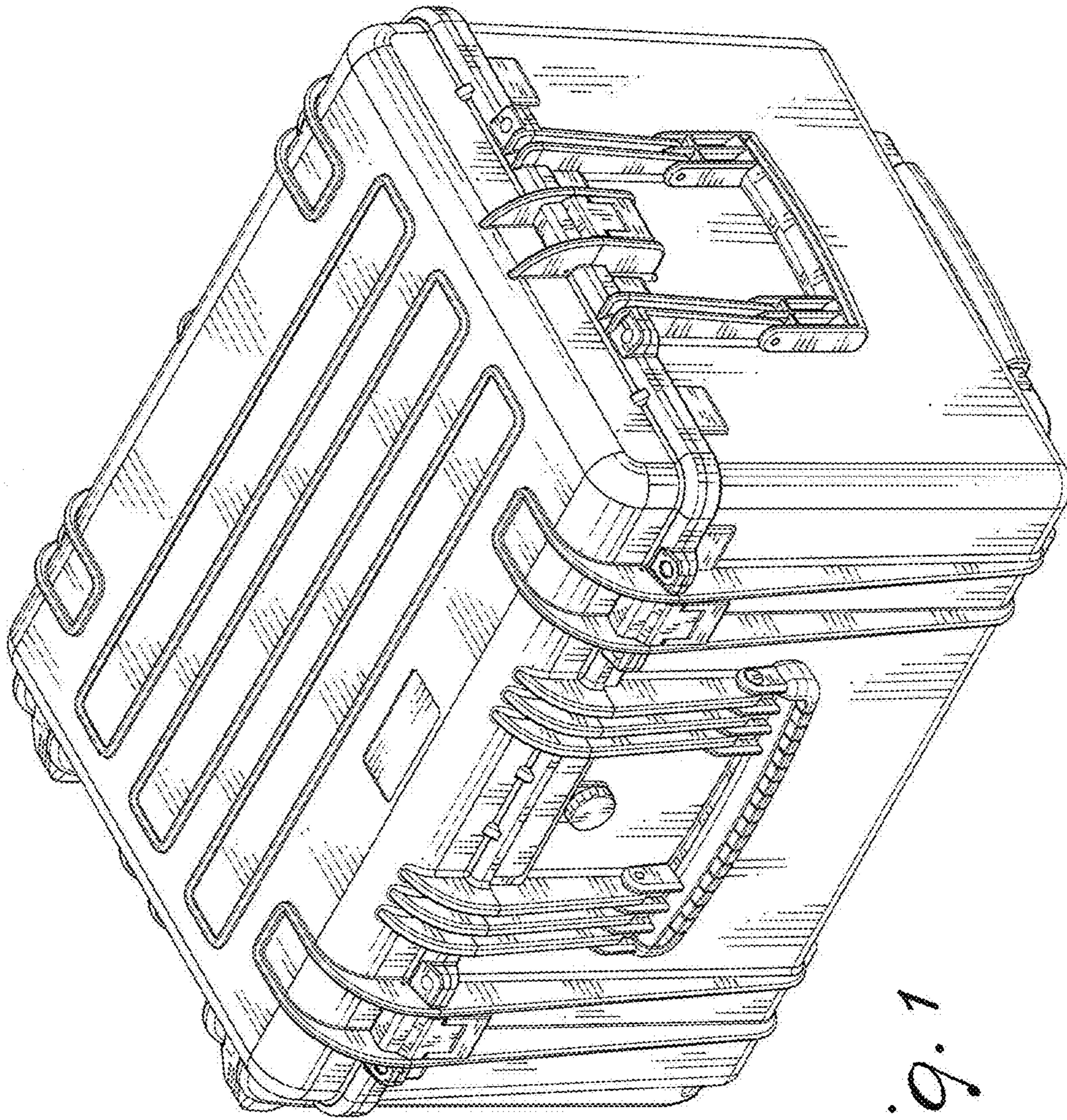


Fig. 1

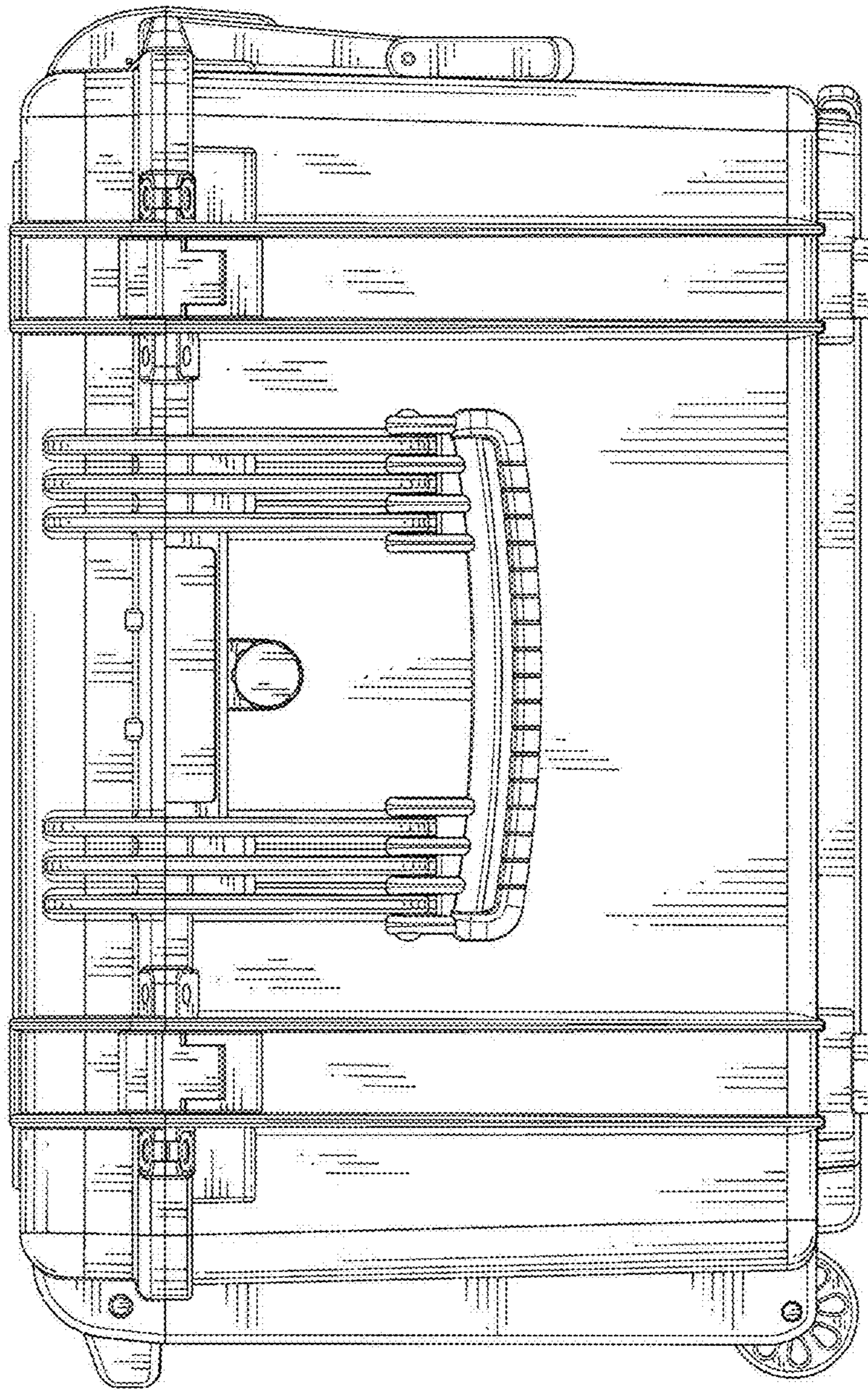


Fig. 2

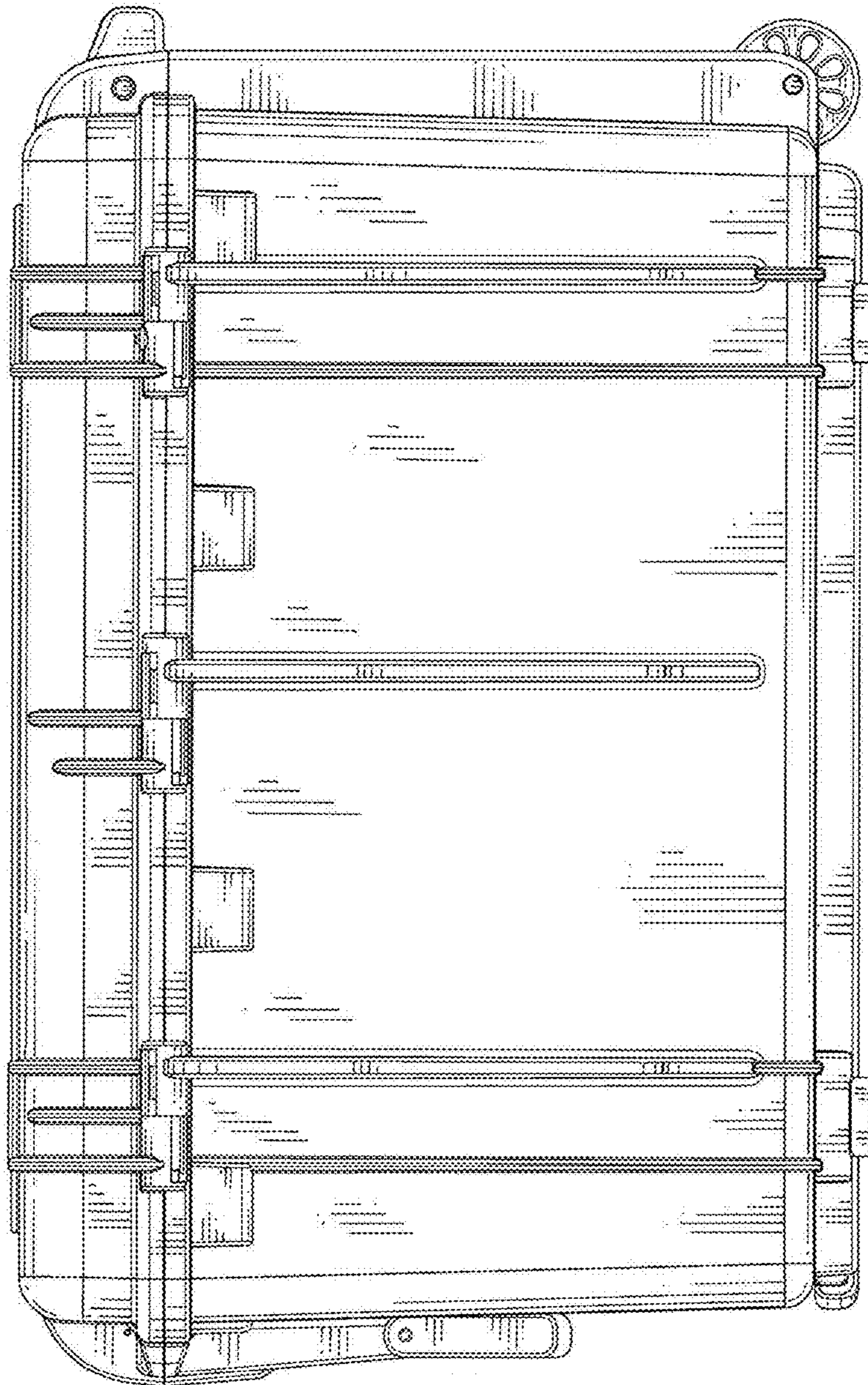


Fig. 3

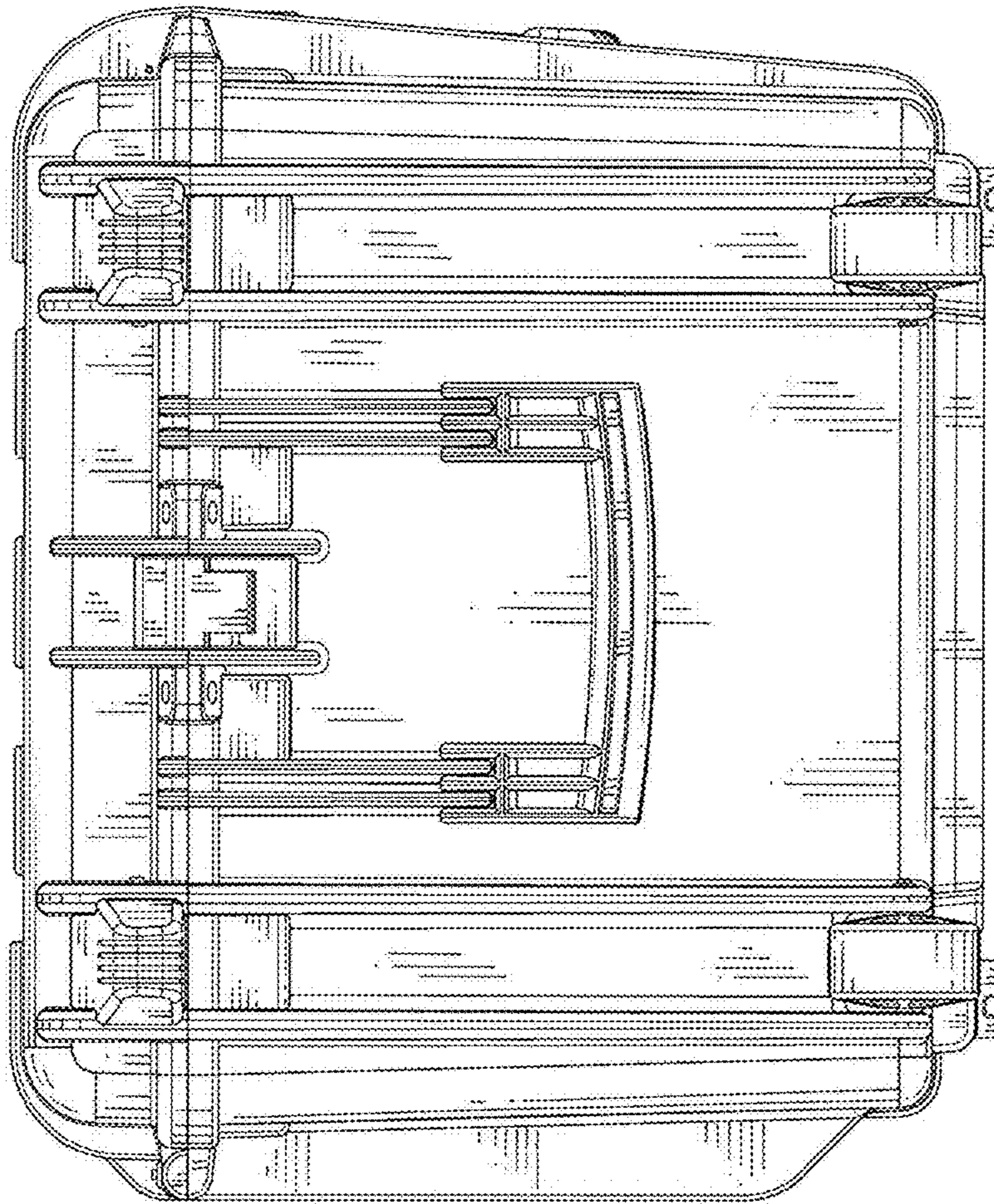


Fig. 4

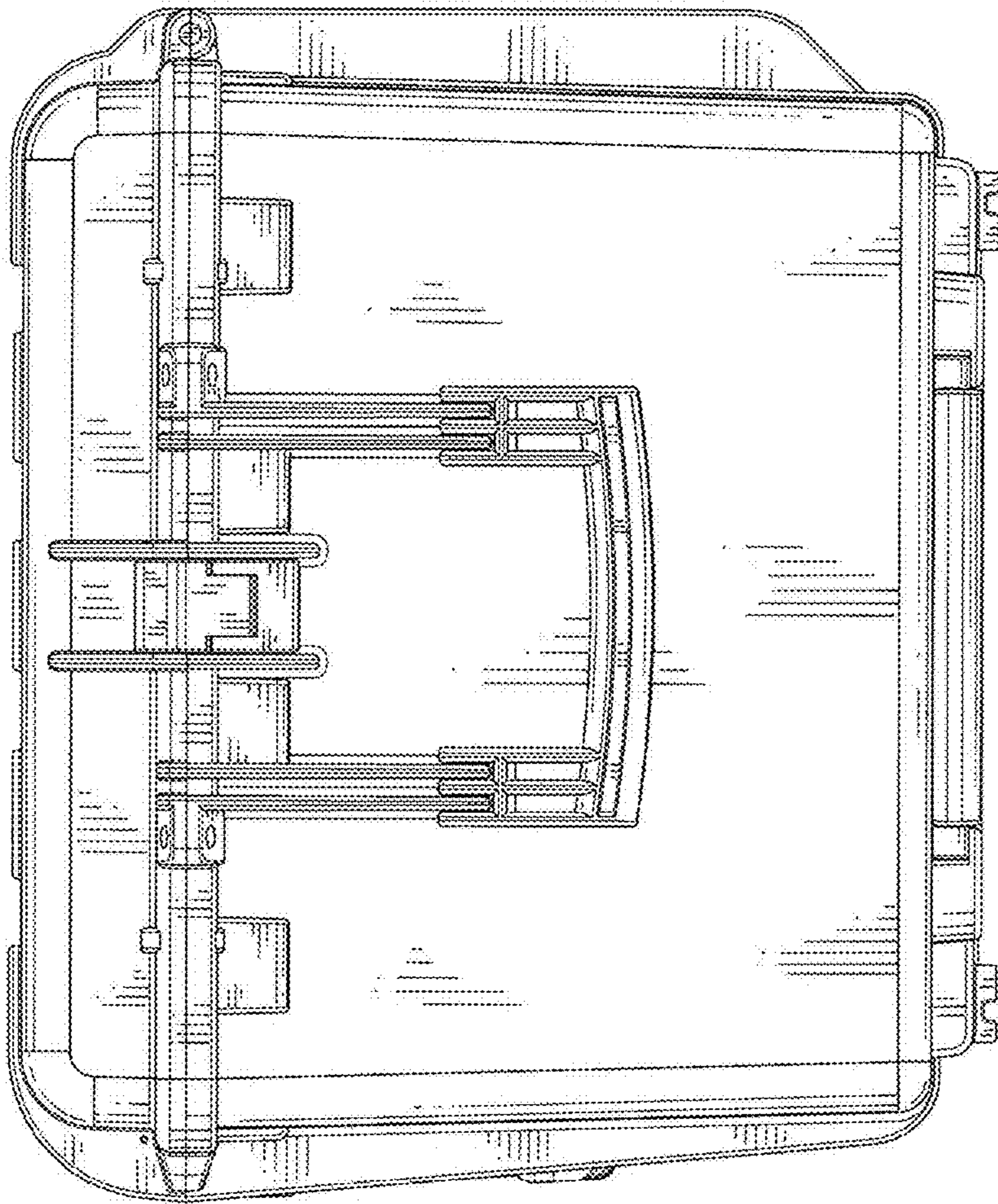


Fig. 5

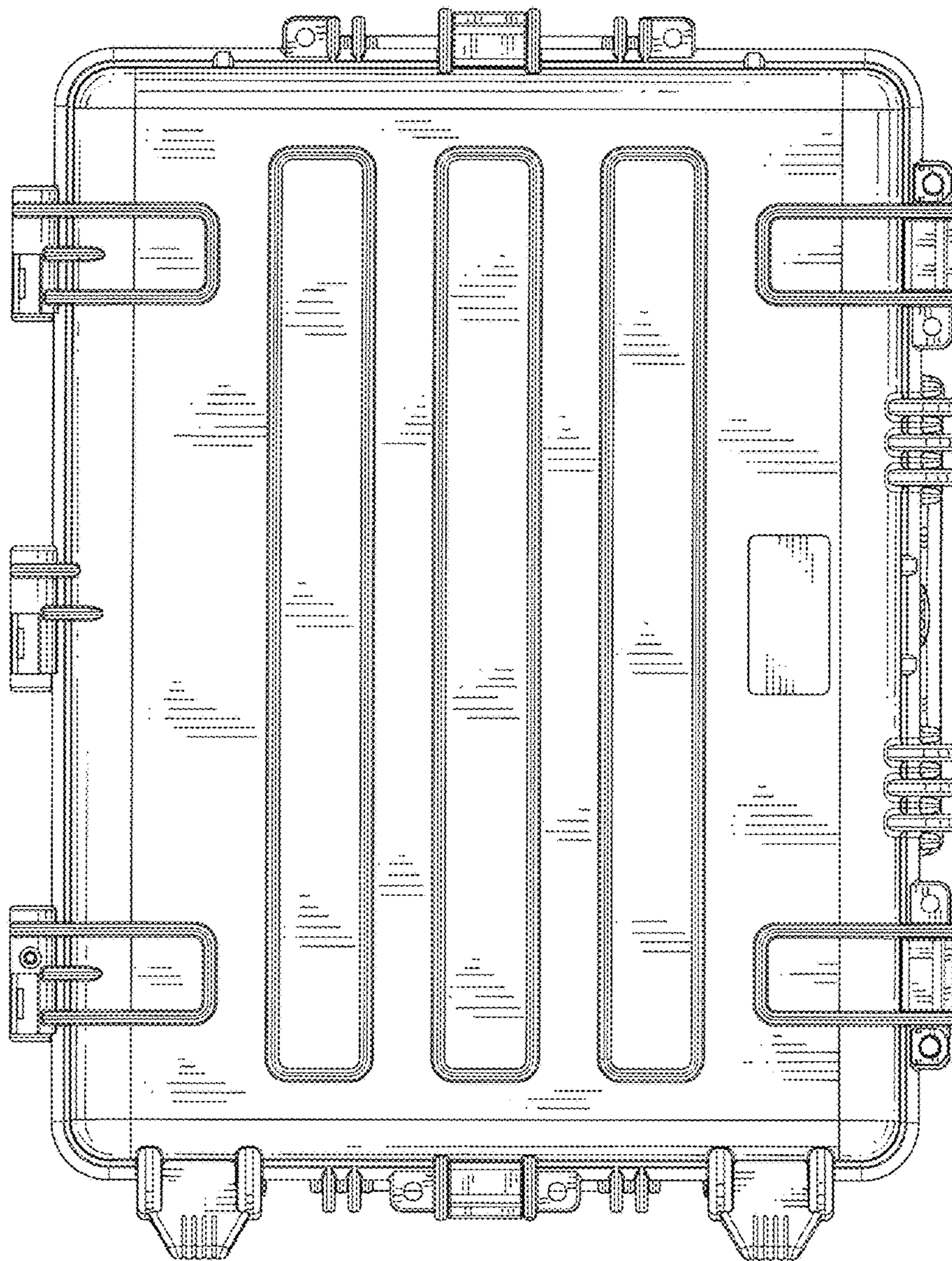


Fig. 6

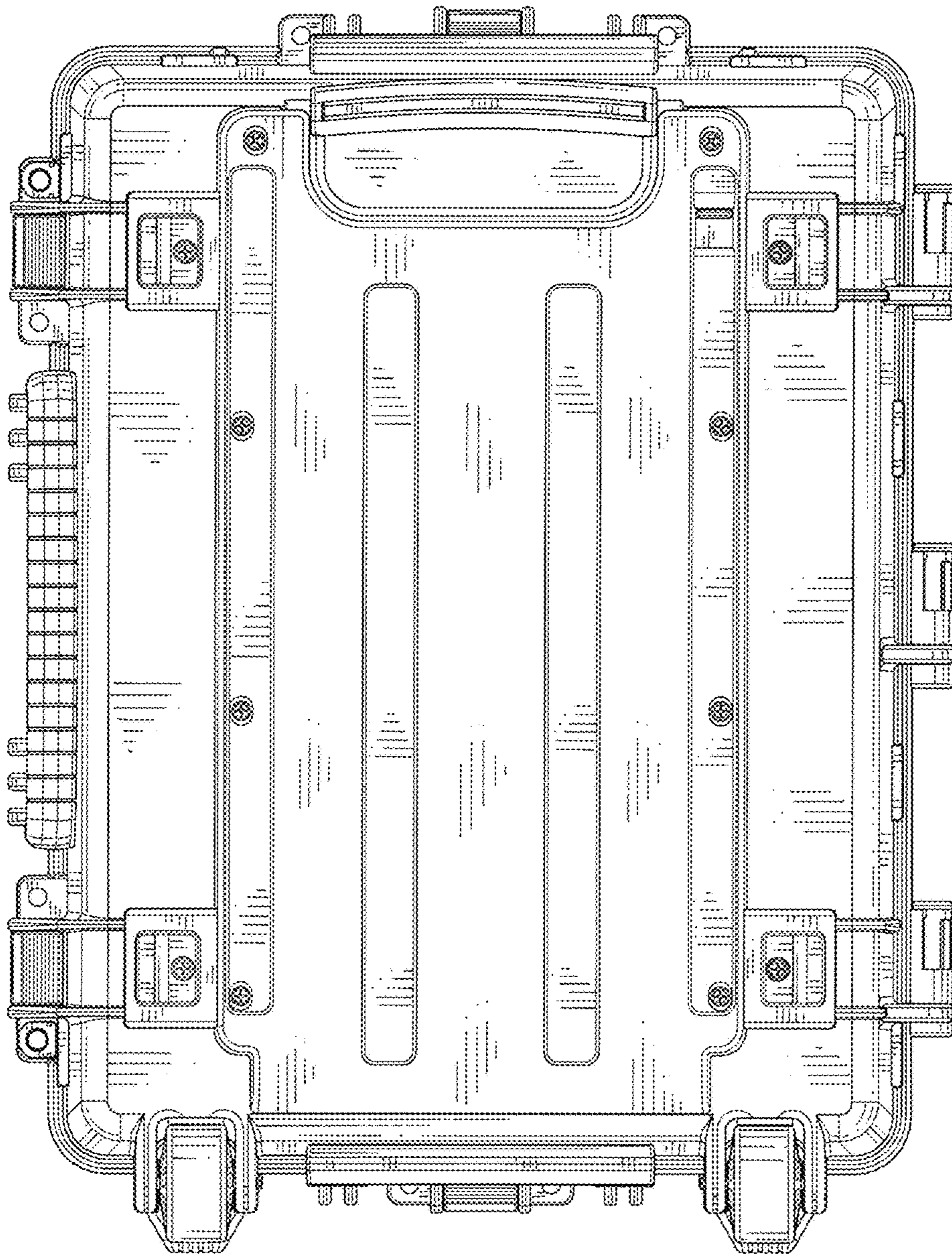


Fig. 7

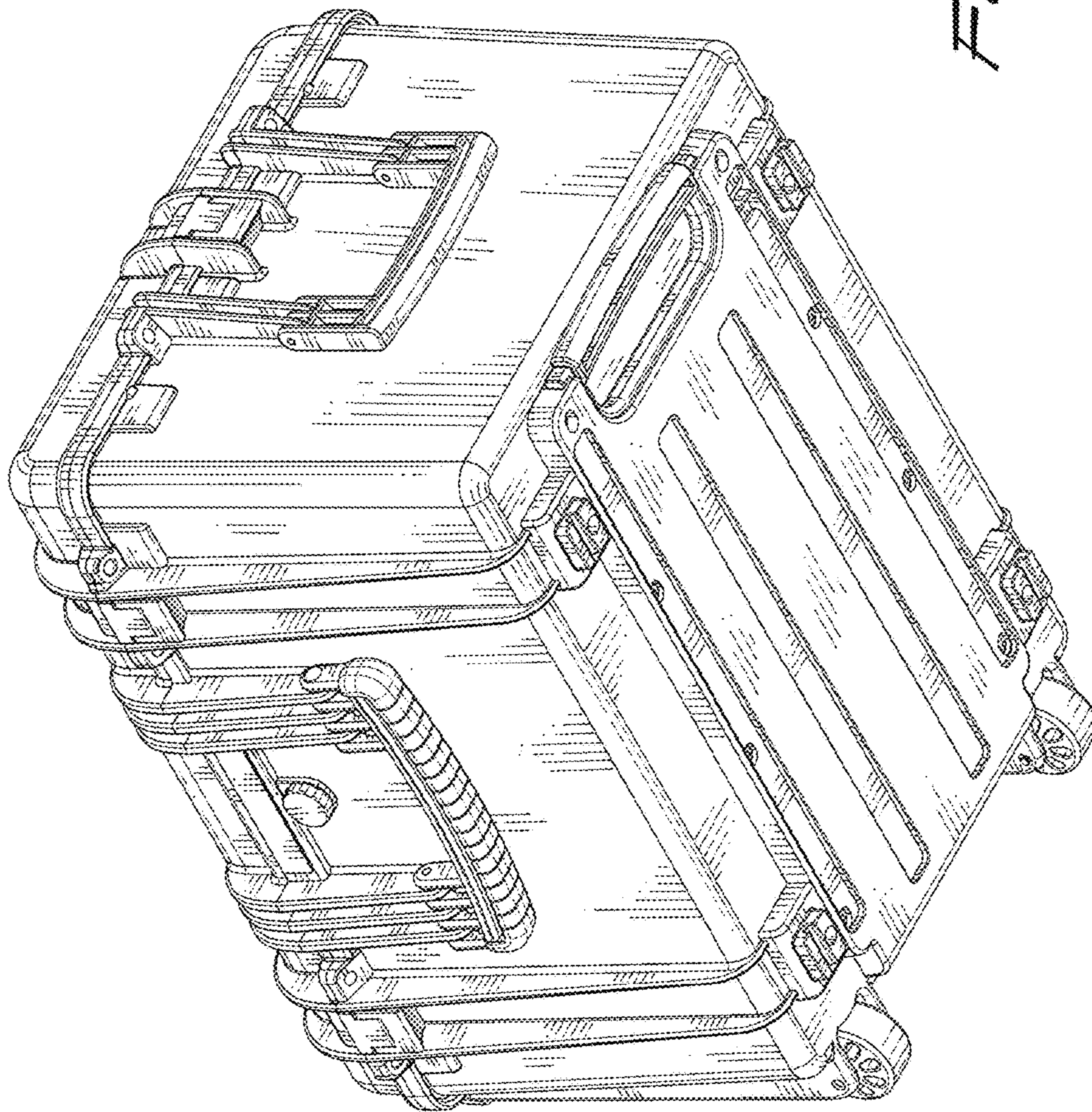


Fig. 8