



US00D815829S

(12) **United States Design Patent** (10) **Patent No.:** **US D815,829 S**
McFarlane, Jr. et al. (45) **Date of Patent:** **** Apr. 24, 2018**

(54) **UNIVERSAL CONTROLLER HOLSTER**

(71) Applicant: **Integr8ted Minds Inc.**, Miami, FL (US)
 (72) Inventors: **Michael A. McFarlane, Jr.**, Miami, FL (US); **Jamarcus J. Watkins**, Lake Wales, FL (US)
 (73) Assignee: **Integr8ted Minds Inc.**, Miami, FL (US)

(**) Term: **15 Years**

(21) Appl. No.: **29/590,469**

(22) Filed: **Jan. 10, 2017**

(51) **LOC (11) Cl.** **03-01**

(52) **U.S. Cl.**
USPC **D3/215**

(58) **Field of Classification Search**
 USPC D3/215, 218–219, 224, 226; 224/219, 224/222, 267, 269, 236, 240, 245, 625,
 (Continued)

(56) **References Cited**

U.S. PATENT DOCUMENTS

5,941,434 A * 8/1999 Green A45F 5/02
 224/195
 D426,702 S * 6/2000 Yen D3/218
 (Continued)

OTHER PUBLICATIONS

XBOX360 and PS3 Kydex Controller Holsters, <https://www.everydaytodaysoff.com/2012/08/15xbox360-andps3-kydex-controller-holsters> (Year: 2012).*

Primary Examiner — Catherine R Oliver-Garcia
 (74) *Attorney, Agent, or Firm* — Nancy J. Flint, Esq.;
 Nancy J. Flint, Attorney At Law, P.A.

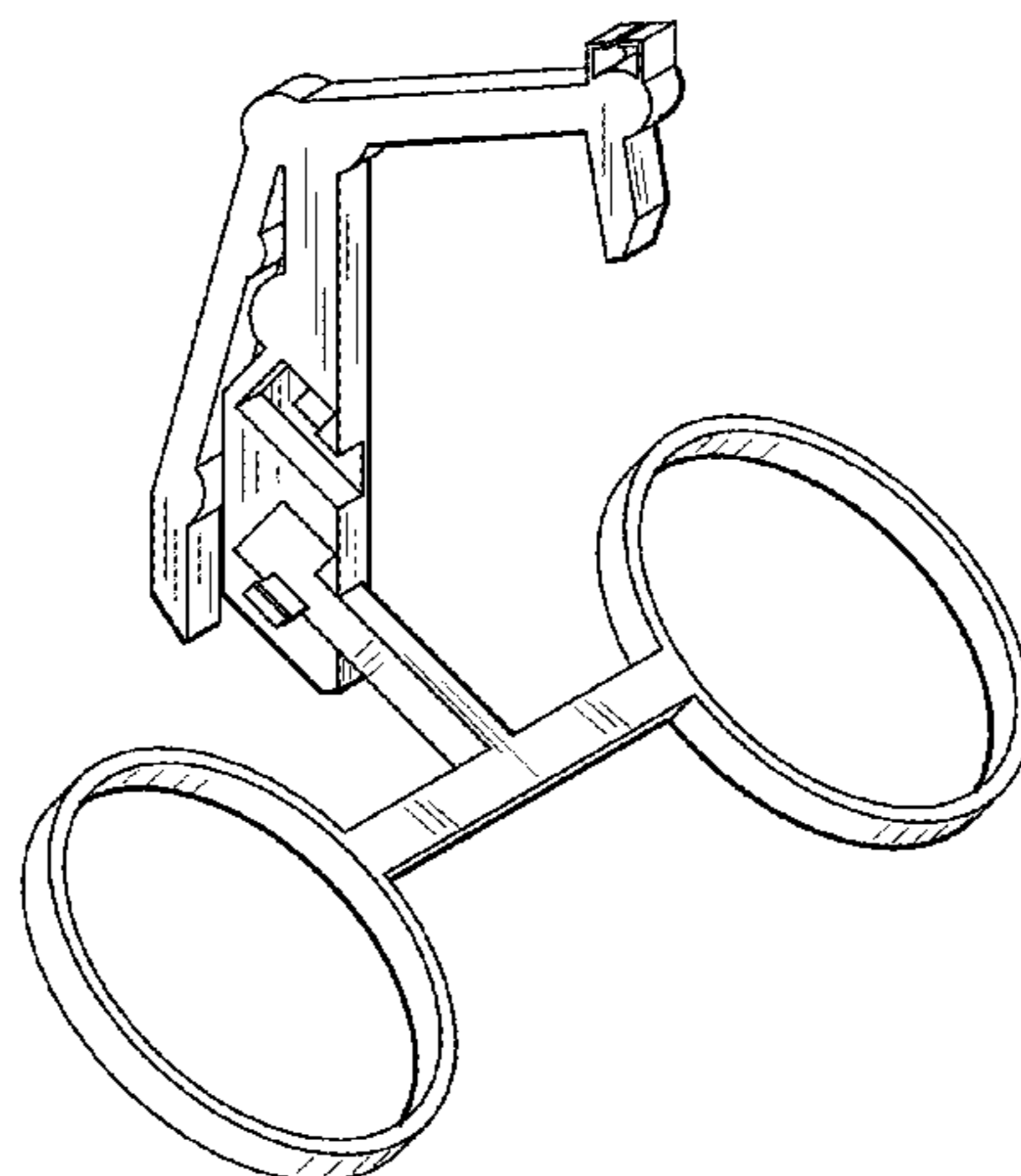
(57) **CLAIM**

The ornamental design for a universal controller holster, as shown and described.

DESCRIPTION

FIG. 1 is a left side perspective view of a universal controller holster showing our new design in assembled condition; FIG. 2 is a right side perspective view of the universal controller holster in assembled condition; FIG. 3 is a front view of the universal controller holster in assembled condition; FIG. 4 is a rear view of the universal controller holster in assembled condition; FIG. 5 is a left side view of the universal controller holster in assembled condition; FIG. 6 is a right side view of the universal controller holster in assembled condition; FIG. 7 is a top view of the universal controller holster in assembled condition; FIG. 8 is a bottom view of the universal controller holster in assembled condition; FIG. 9 is a perspective view of the universal controller holster in assembled condition as used by a user to hold a controller; FIG. 10 is an exploded left side perspective view of the universal controller holster; FIG. 11 is an exploded right side perspective view of the universal controller holster; FIG. 12 is an exploded front view of the universal controller holster; FIG. 13 is an exploded rear view of the universal controller holster; FIG. 14 is an exploded left side view of the universal controller holster; FIG. 15 is an exploded right side view of the universal controller holster; FIG. 16 is an exploded top view of the universal controller holster; and, FIG. 17 is an exploded bottom view of the universal controller holster.

(Continued)



Any broken lines illustrative of environmental structure in the drawings are not part of the design sought to be patented.

1 Claim, 9 Drawing Sheets

(58) **Field of Classification Search**

USPC 224/664, 653, 901, 904, 195, 250, 221,
224/201.8, 930

CPC A45F 5/00; A45F 3/14; A45F 2003/007;
A45F 2003/146; A45F 2011/001; A45F
2011/003

See application file for complete search history.

(56) **References Cited**

U.S. PATENT DOCUMENTS

D525,422 S * 7/2006 Williams D3/218
7,810,683 B2 * 10/2010 Chan A45F 5/00
224/221

* cited by examiner

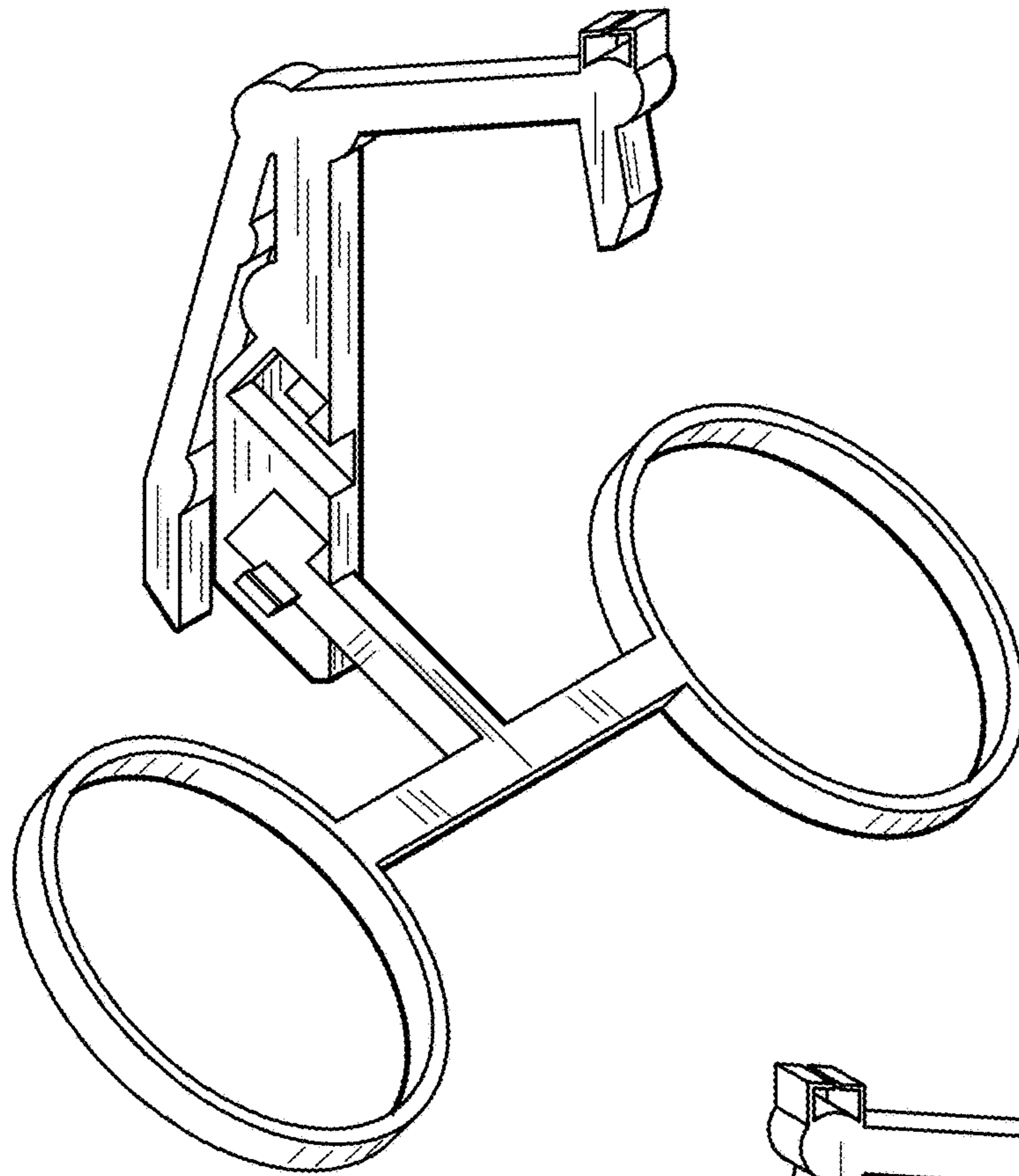


Fig. 1

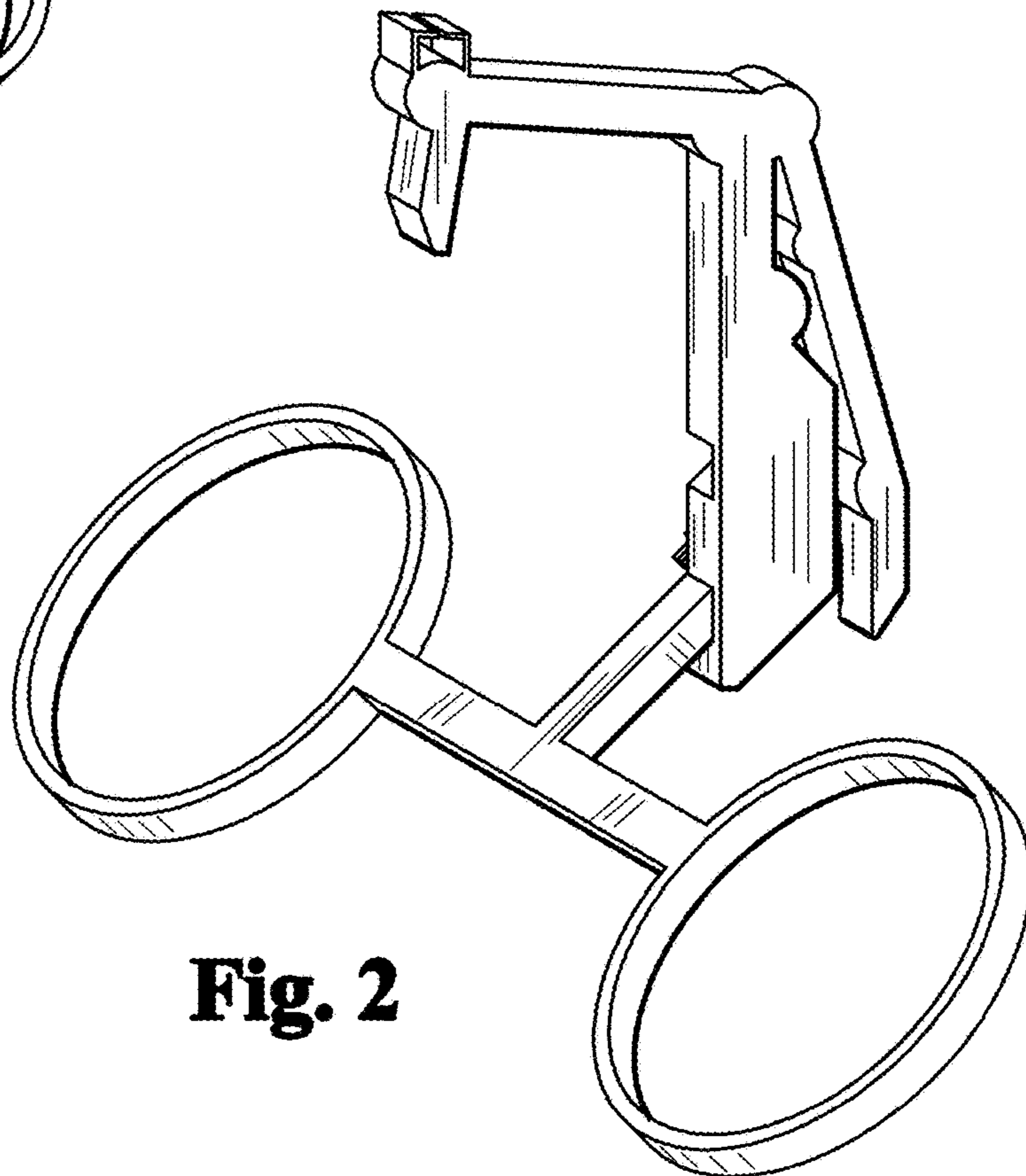


Fig. 2

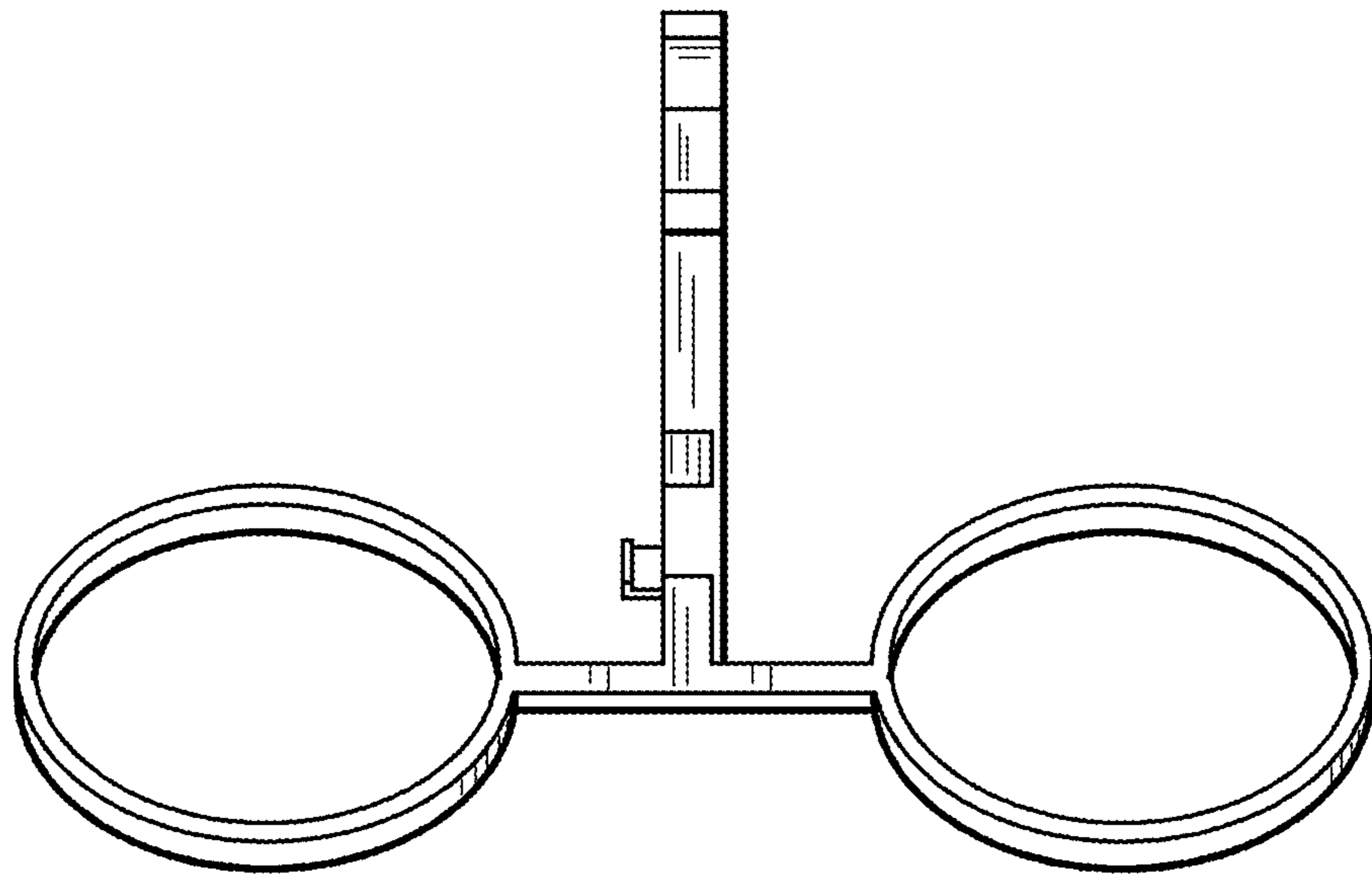


Fig. 3

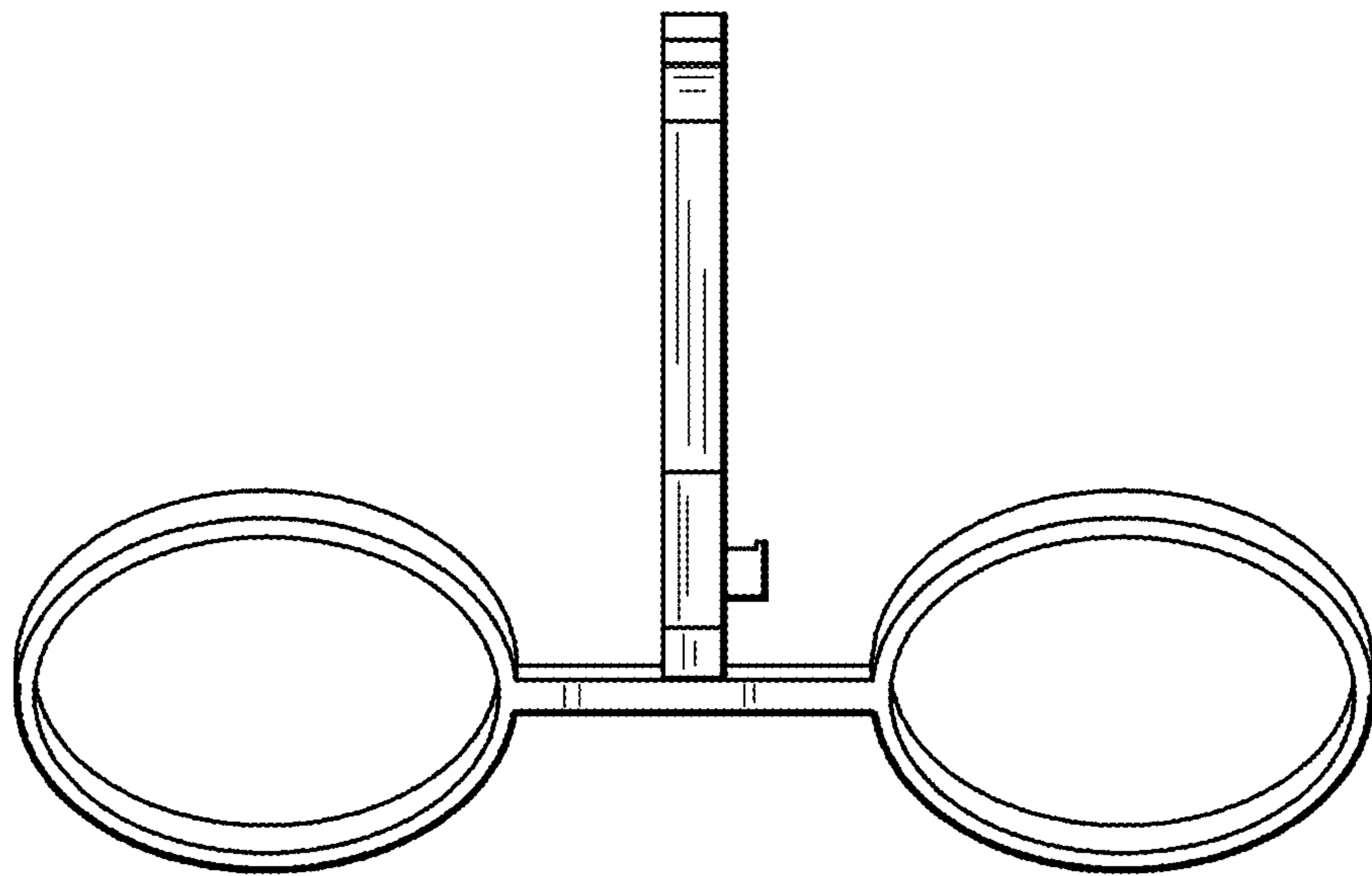


Fig. 4

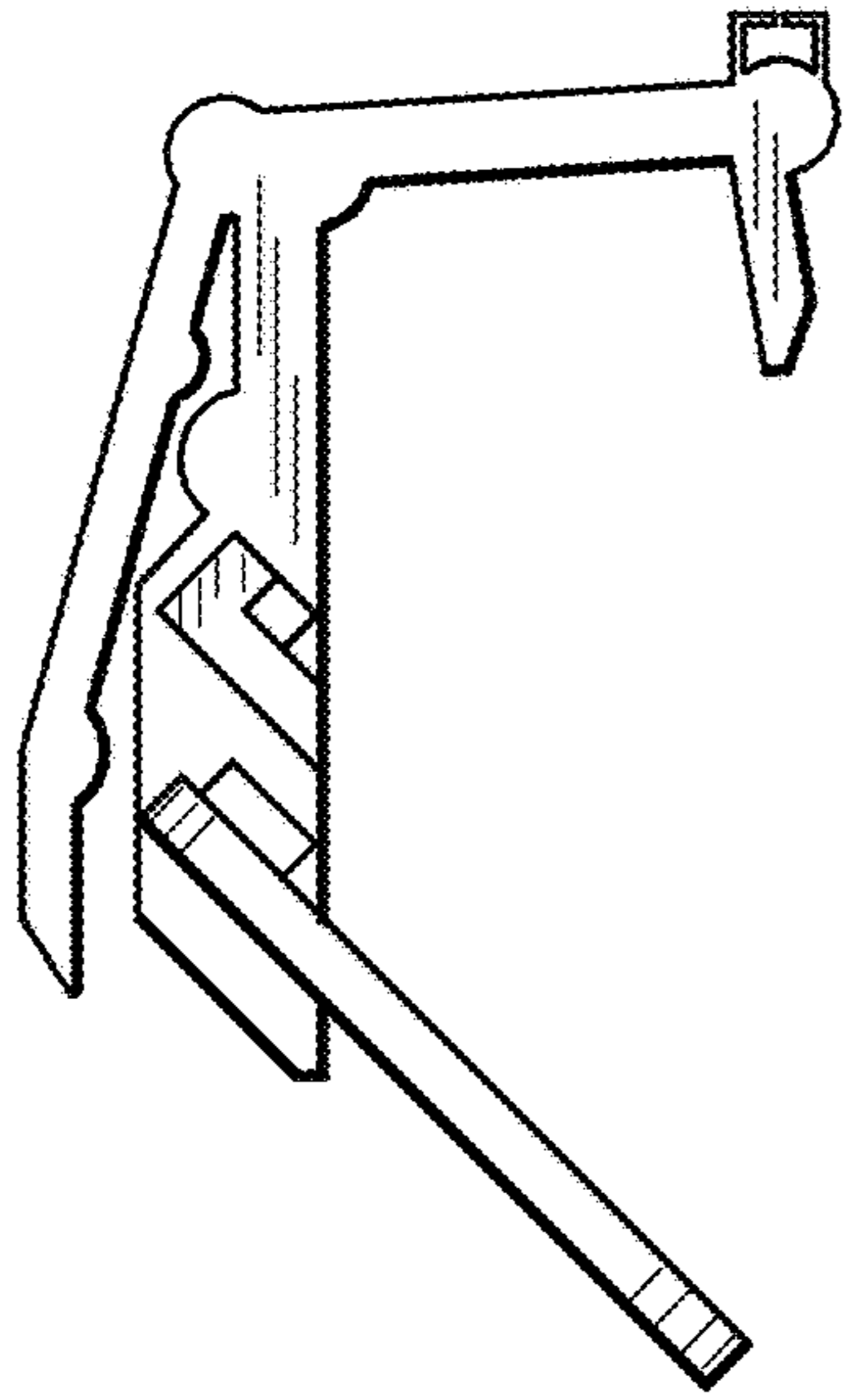


Fig. 5

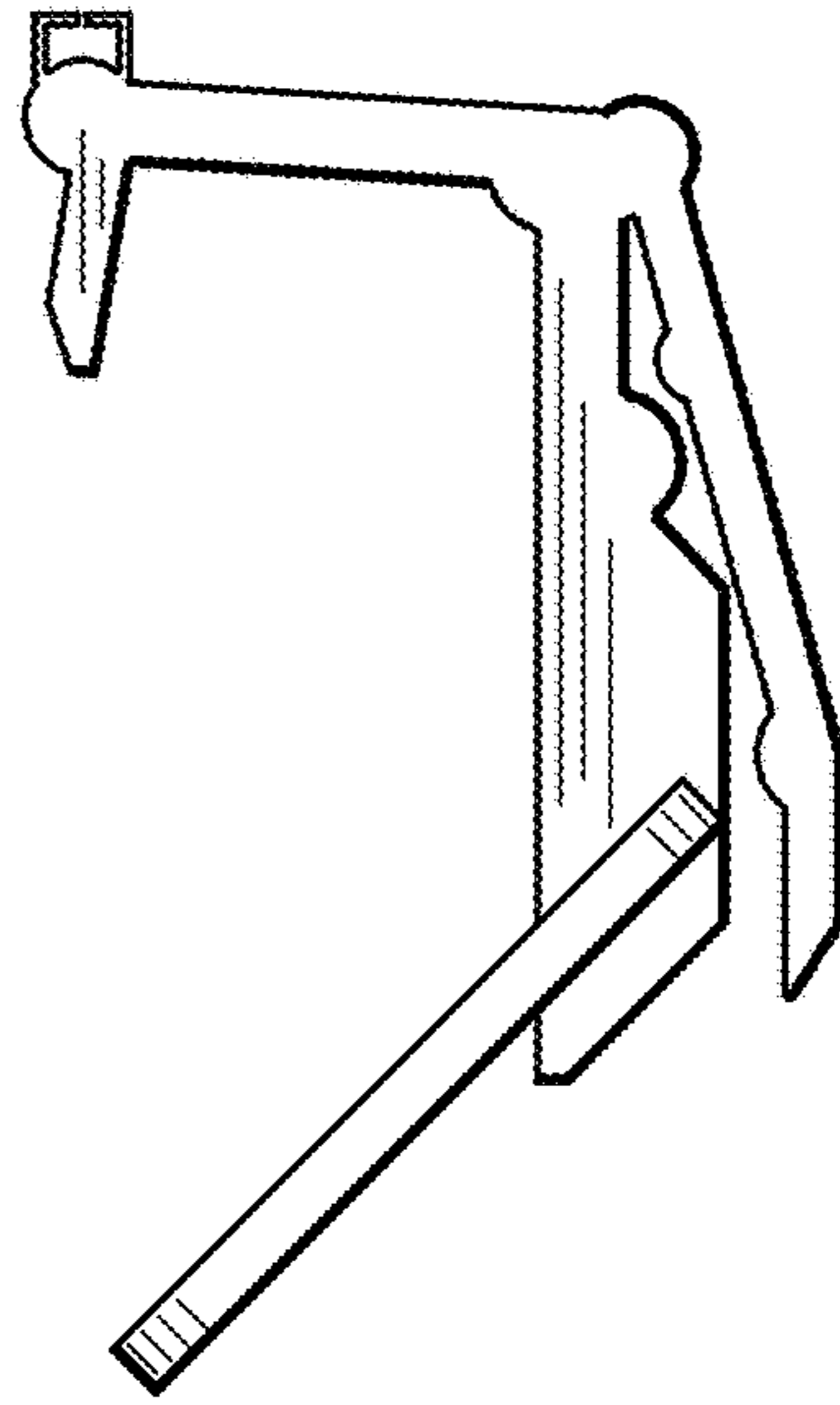


Fig. 6

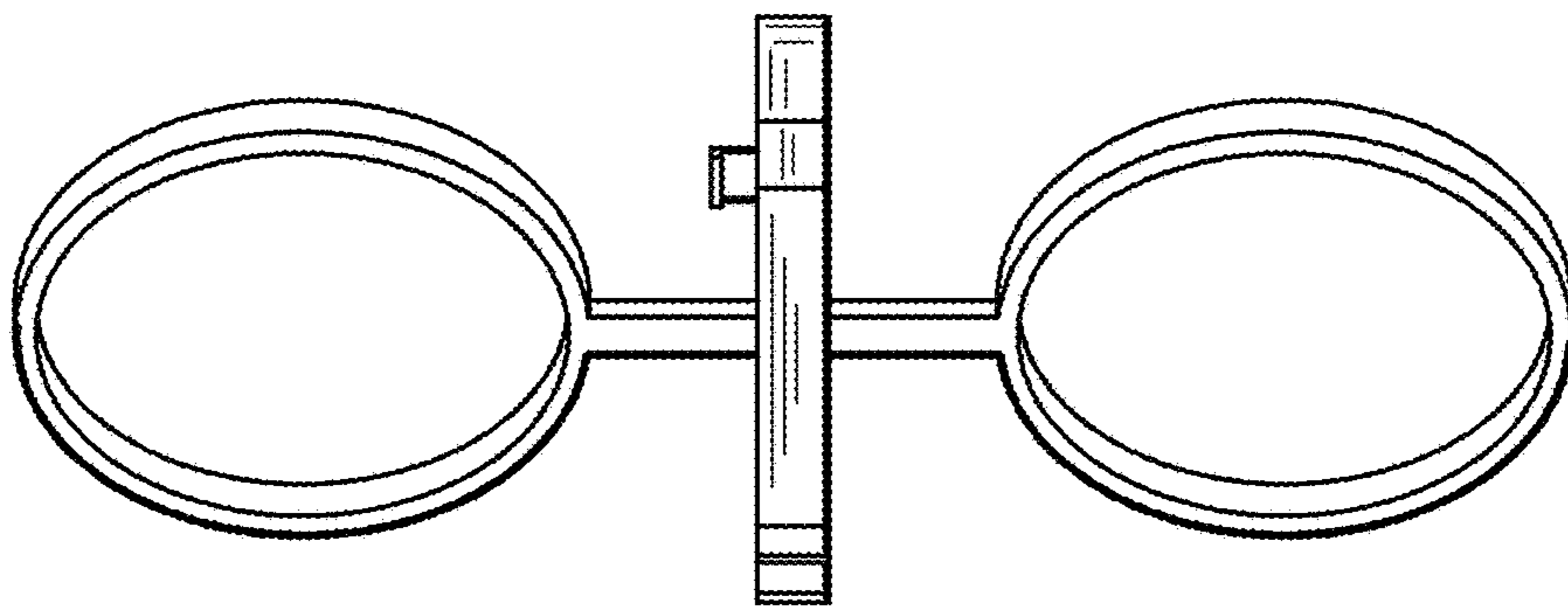


Fig. 7

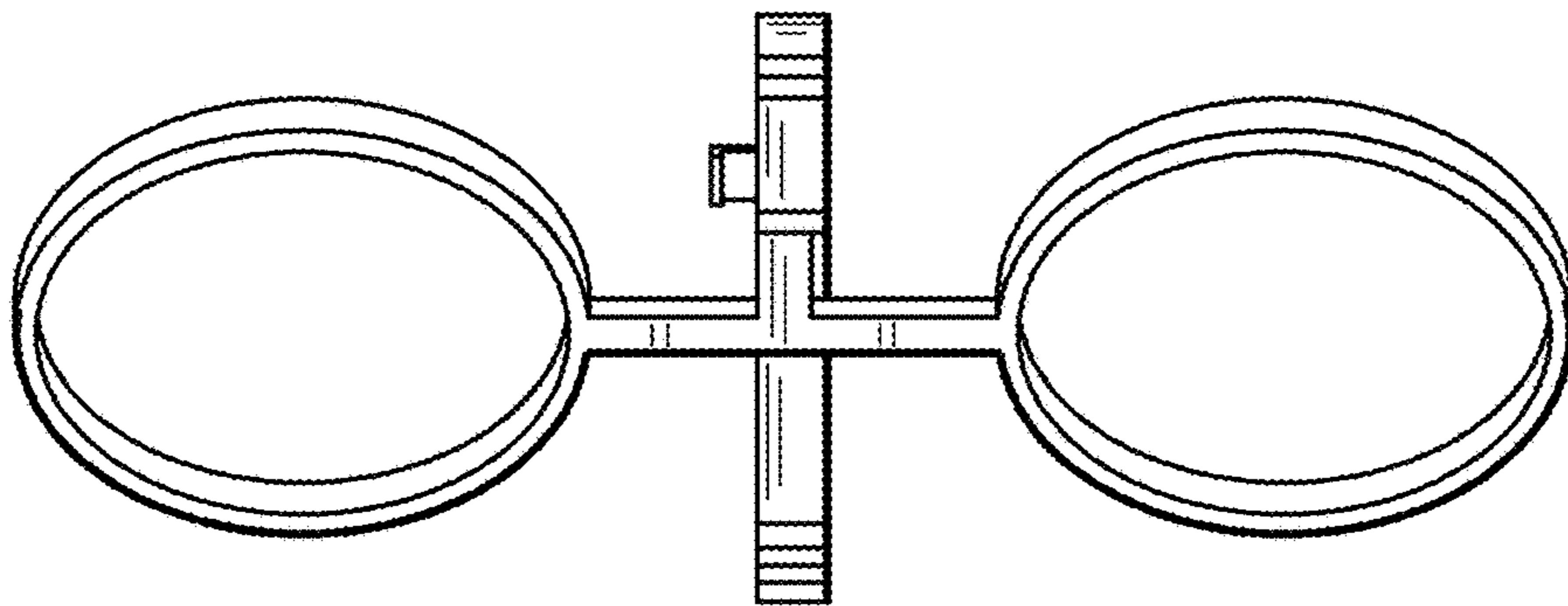


Fig. 8

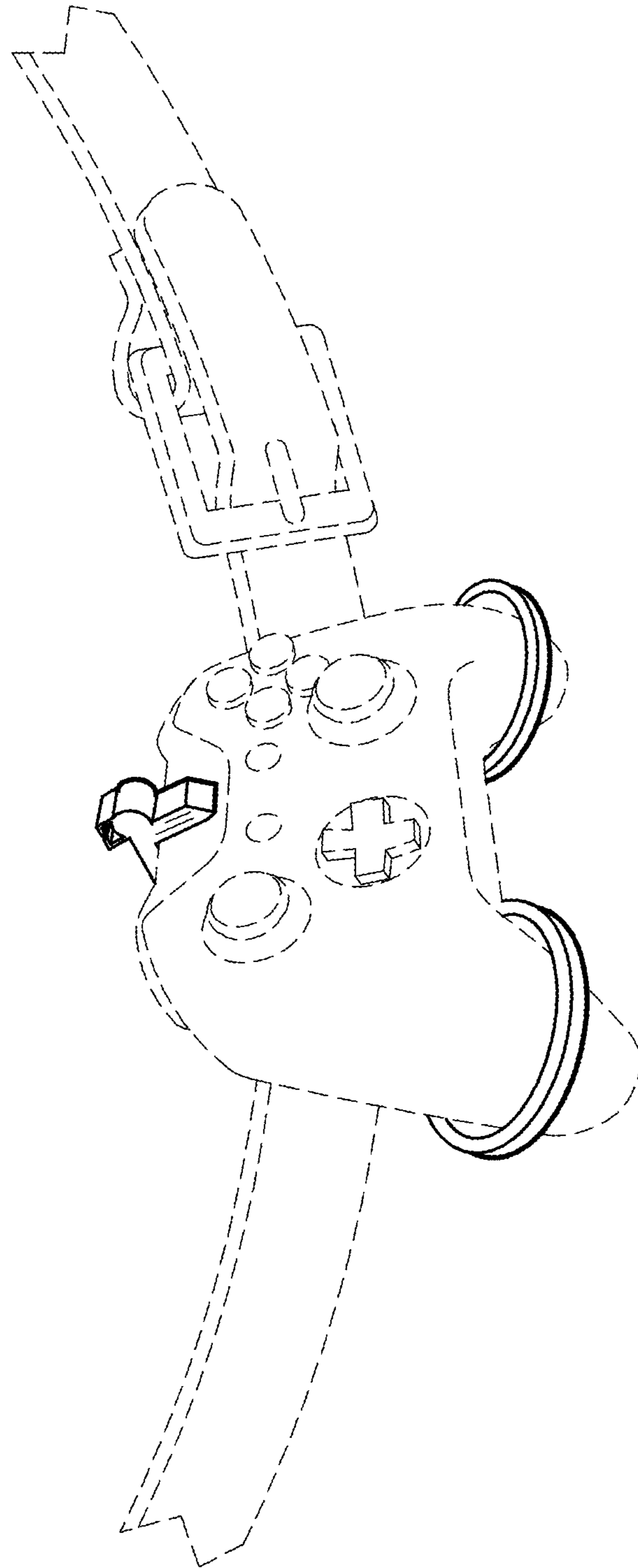


Fig. 9

Fig. 10

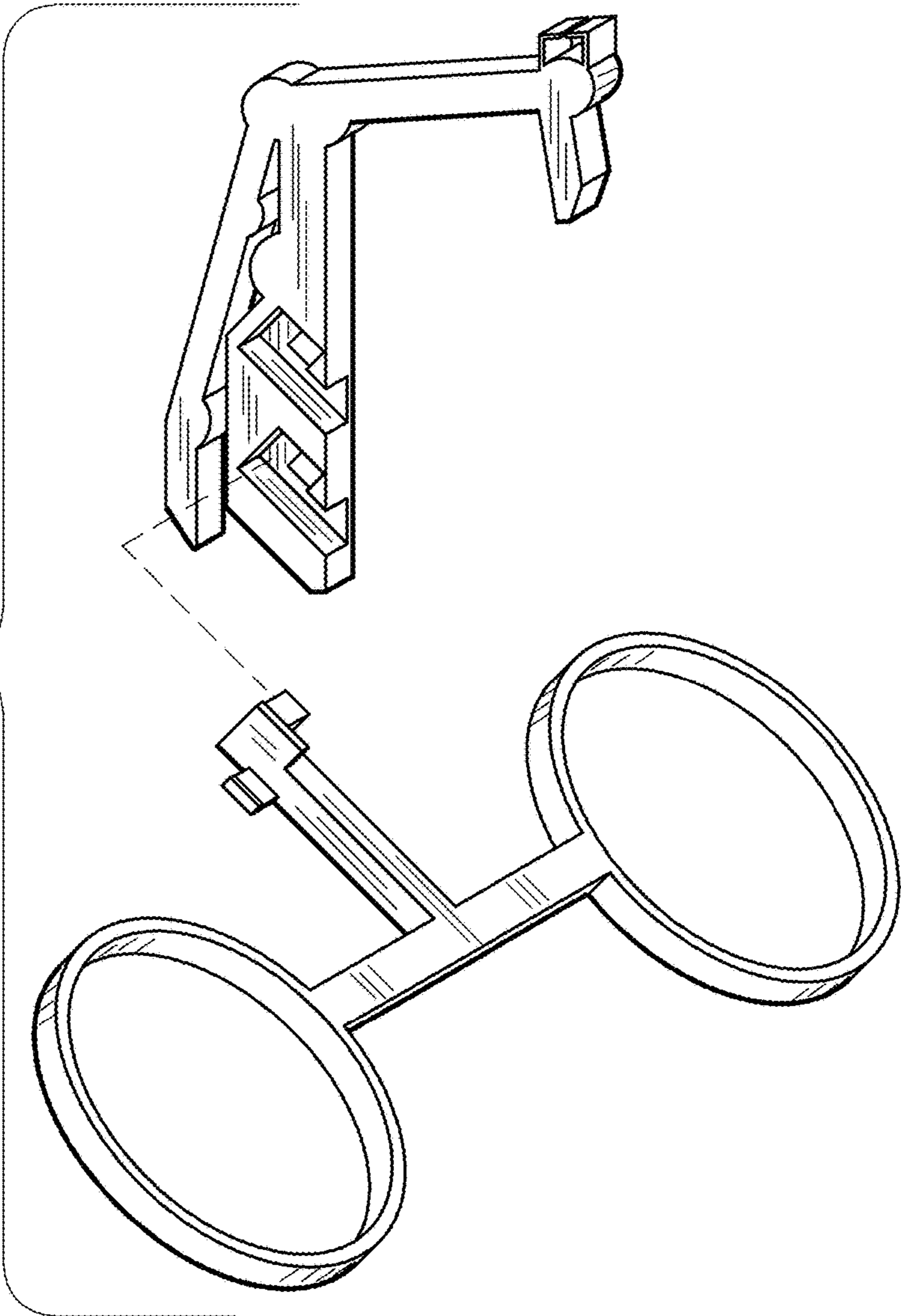


Fig. 11

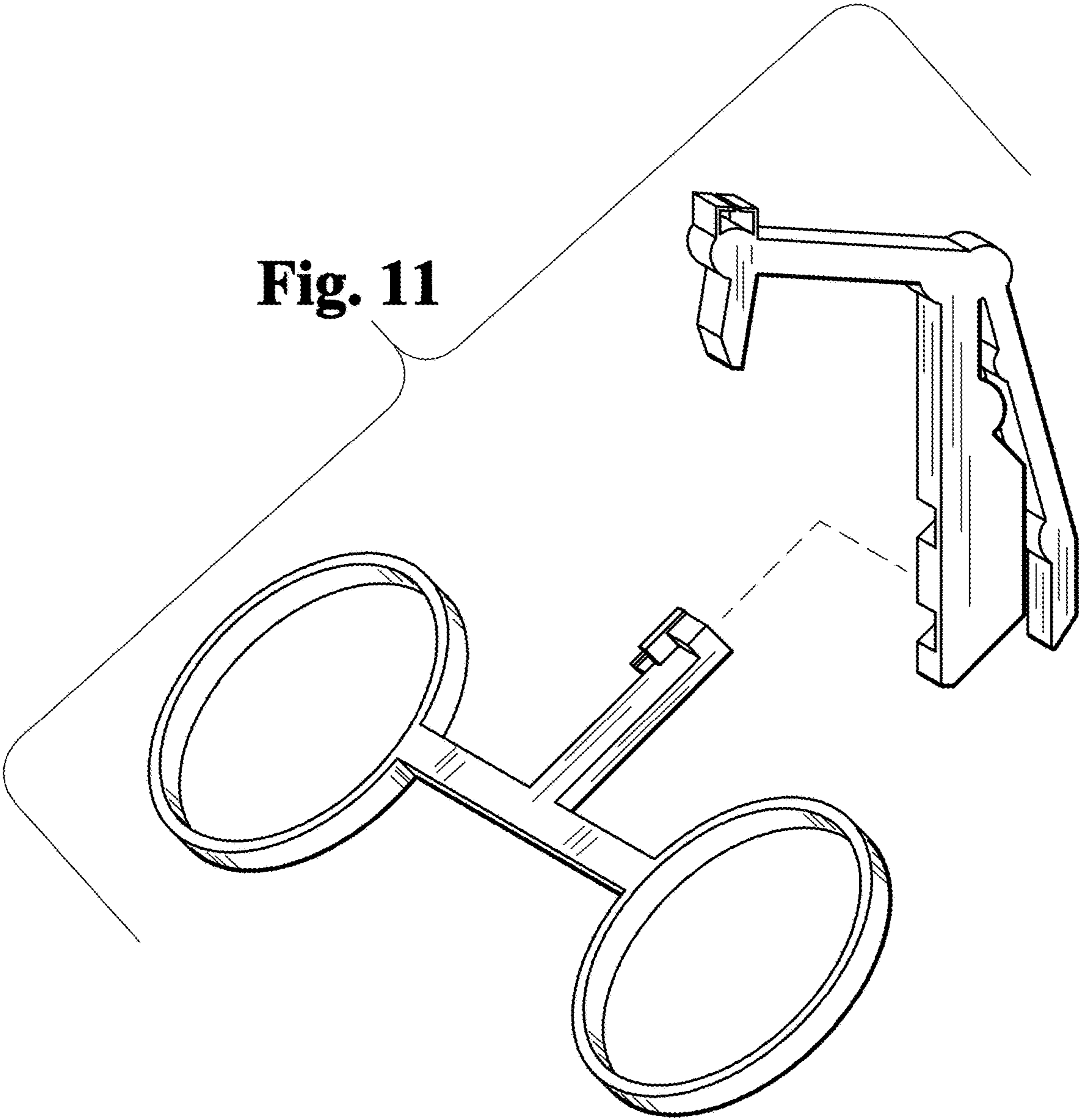


Fig. 12

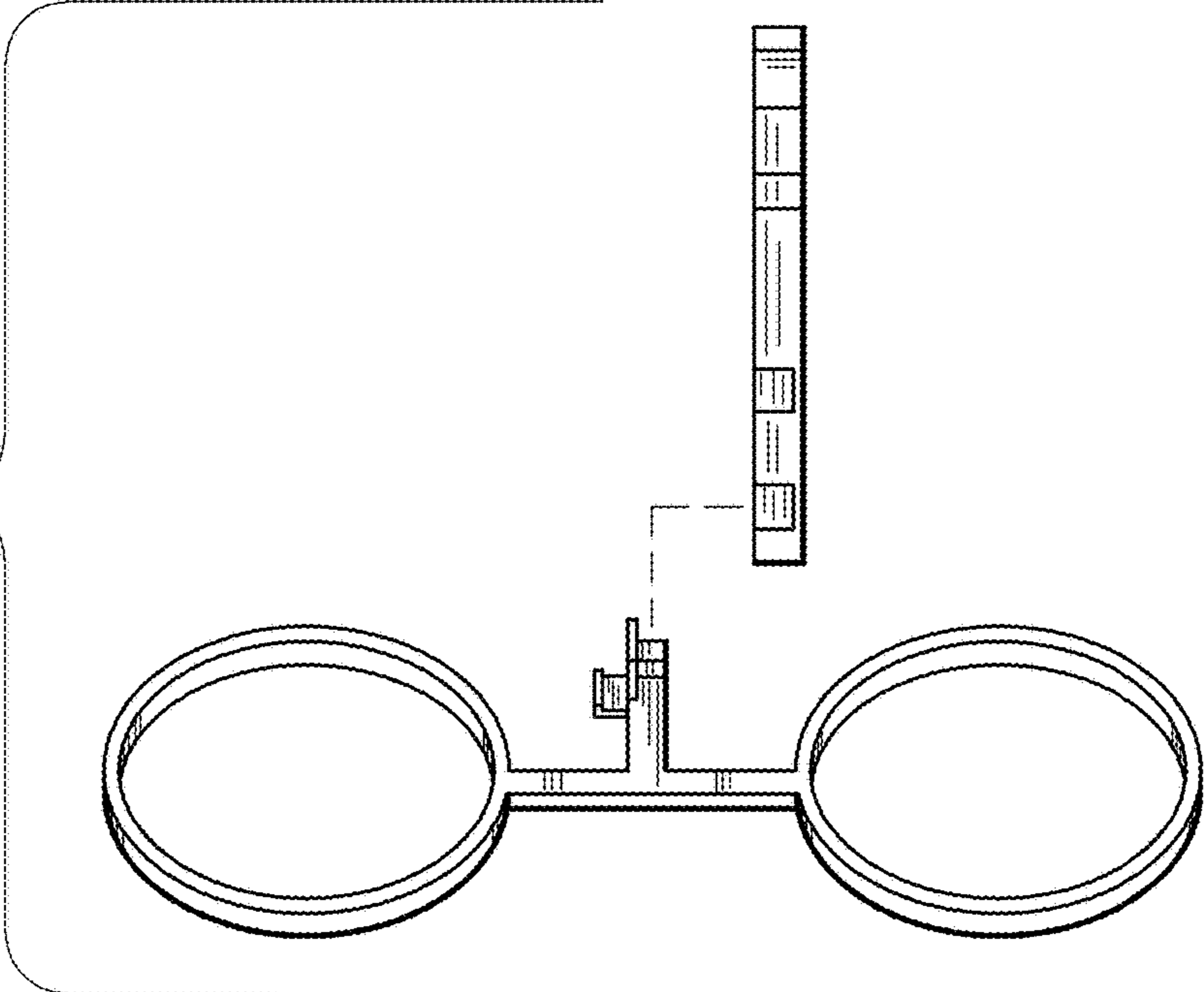


Fig. 13

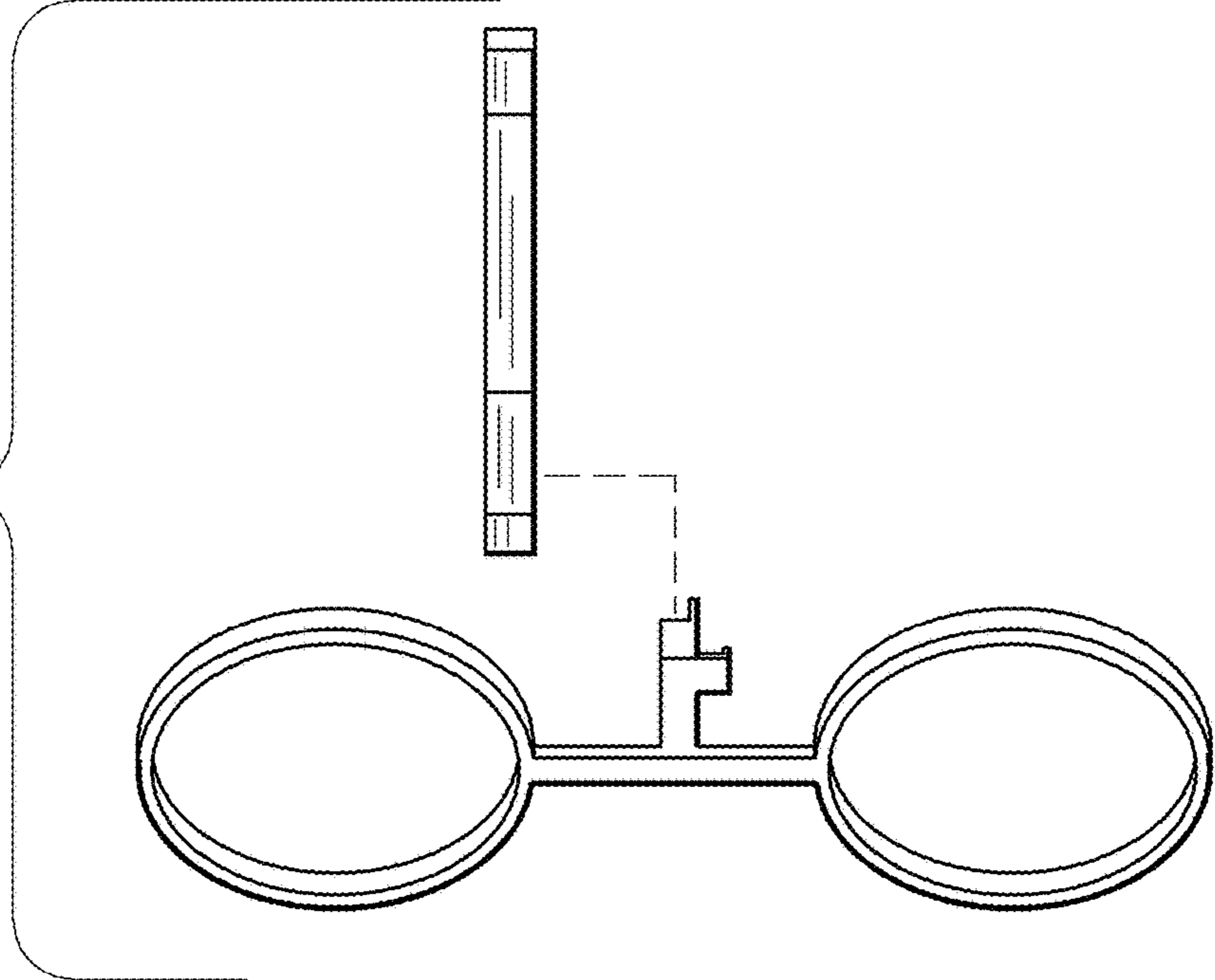


Fig. 14

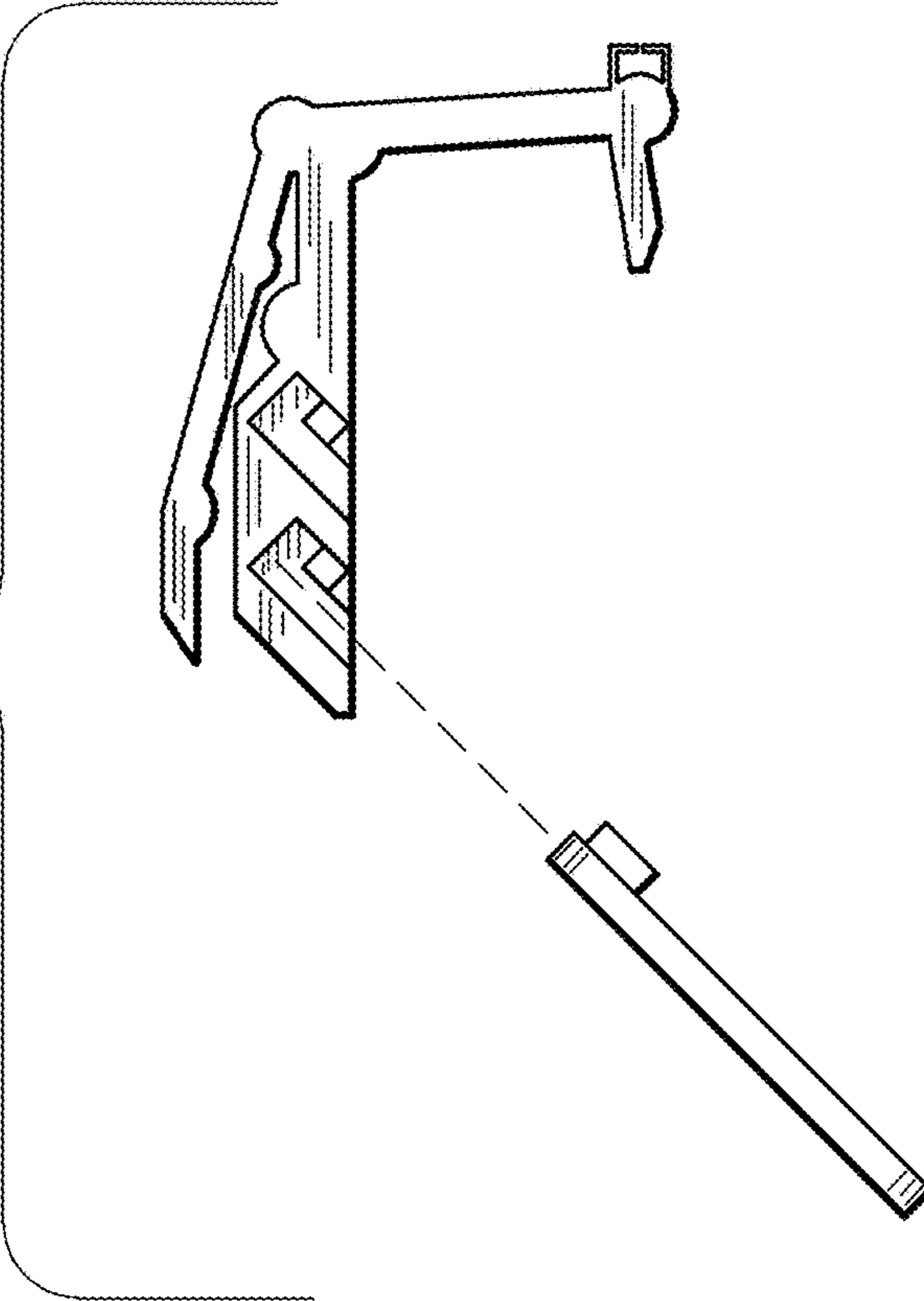


Fig. 15

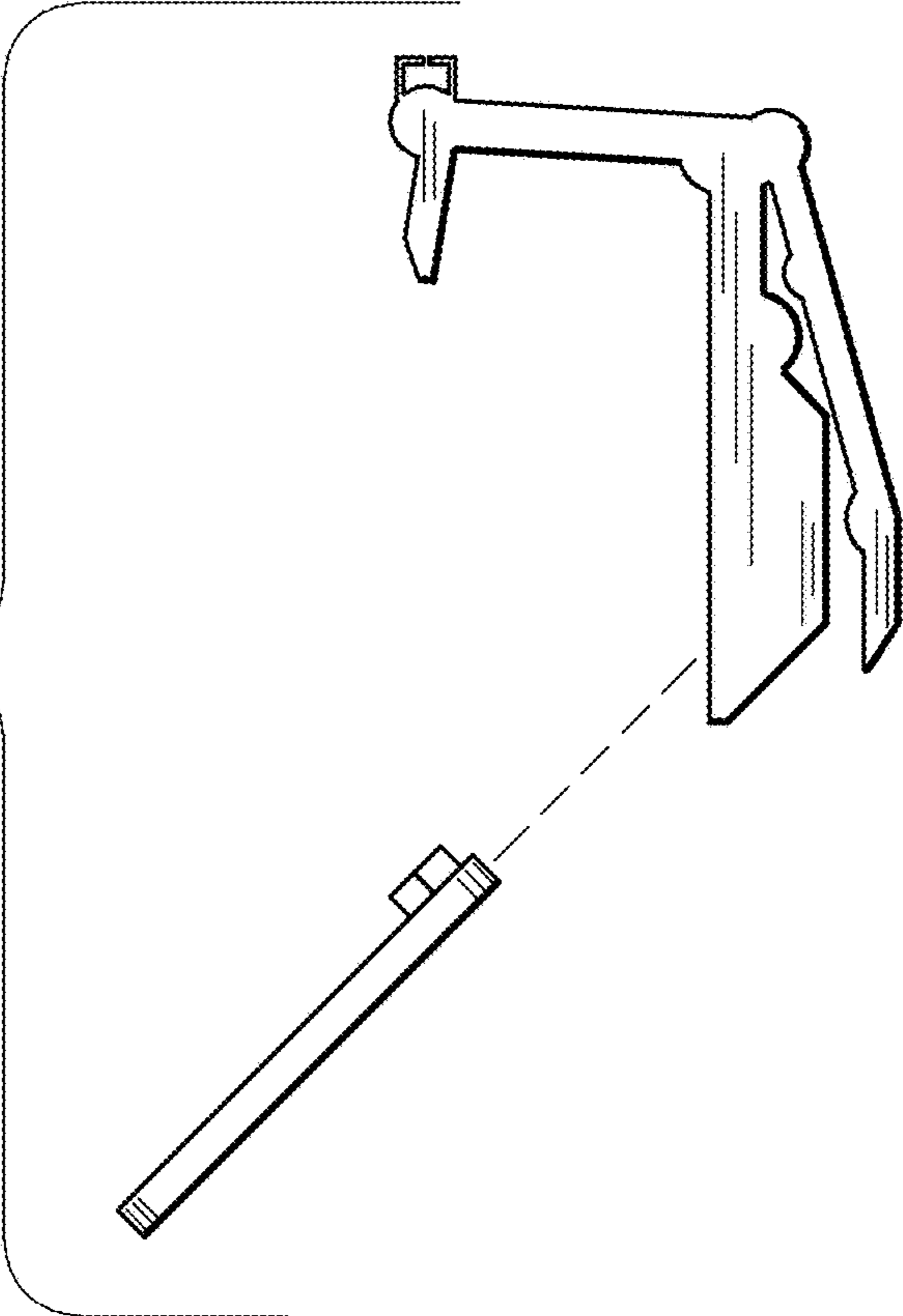


Fig. 16

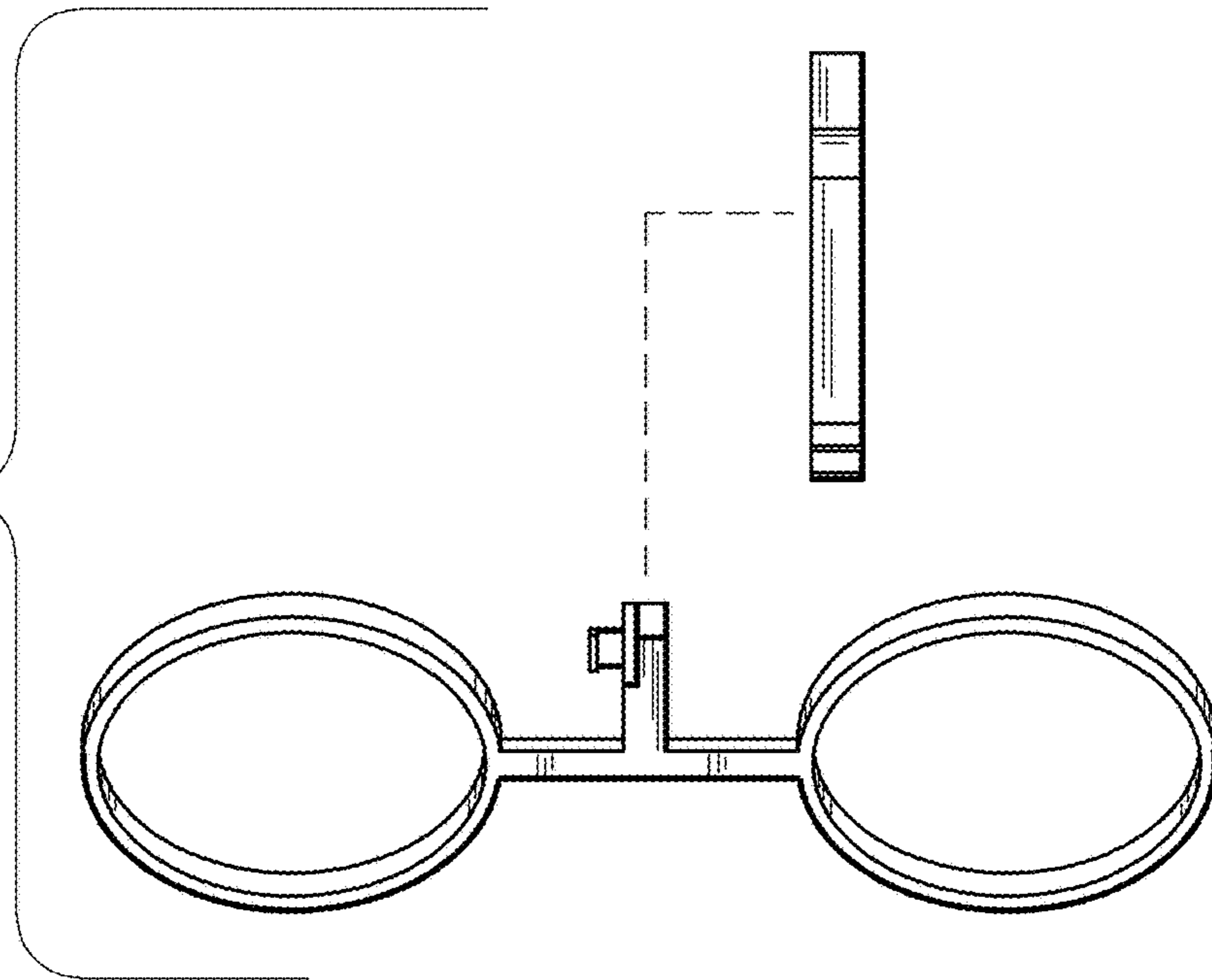


Fig. 17

