



US00D815828S

(12) **United States Design Patent**  
**Wang et al.**

(10) **Patent No.:** **US D815,828 S**  
(45) **Date of Patent:** **\*\* Apr. 24, 2018**

- (54) **PARASOL HANDLE**
- (71) Applicant: **Linhaishi Hanfeng Recreation Products CO., LTD**, Linhai (CN)
- (72) Inventors: **Ziguo Wang**, Guizhou (CN);  
**Chenghua Wang**, Shaanxi (CN)
- (\*\*) Term: **15 Years**
- (21) Appl. No.: **29/591,070**
- (22) Filed: **Jan. 17, 2017**
- (51) **LOC (11) Cl.** ..... **03-03**
- (52) **U.S. Cl.**  
USPC ..... **D3/12**
- (58) **Field of Classification Search**  
USPC ..... D3/5, 6, 10, 12, 14, 16  
CPC ..... A45B 2009/002; A45B 2009/005; A45B 9/02; A45B 23/00; A45B 25/08; A45B 2023/0075; A45B 2025/003; A45B 25/14; A45B 2025/146  
See application file for complete search history.

D644,832 S *	9/2011	Patzak	.....	D3/10
D685,315 S *	7/2013	Hayes	.....	D12/415
D738,610 S *	9/2015	Ma	.....	D3/10
D760,486 S *	7/2016	Patzak	.....	D3/10
D803,545 S *	11/2017	Rothbucher	.....	D3/12
2005/0126612 A1 *	6/2005	Chen	.....	A45B 9/00 135/13
2008/0223422 A1 *	9/2008	Lai	.....	A45B 23/00 135/21
2011/0005558 A1 *	1/2011	Lai	.....	A45B 17/00 135/20.1
2014/0158173 A1 *	6/2014	Li	.....	A45B 17/00 135/20.1
2015/0068567 A1 *	3/2015	Ma	.....	A45B 23/00 135/20.1

\* cited by examiner

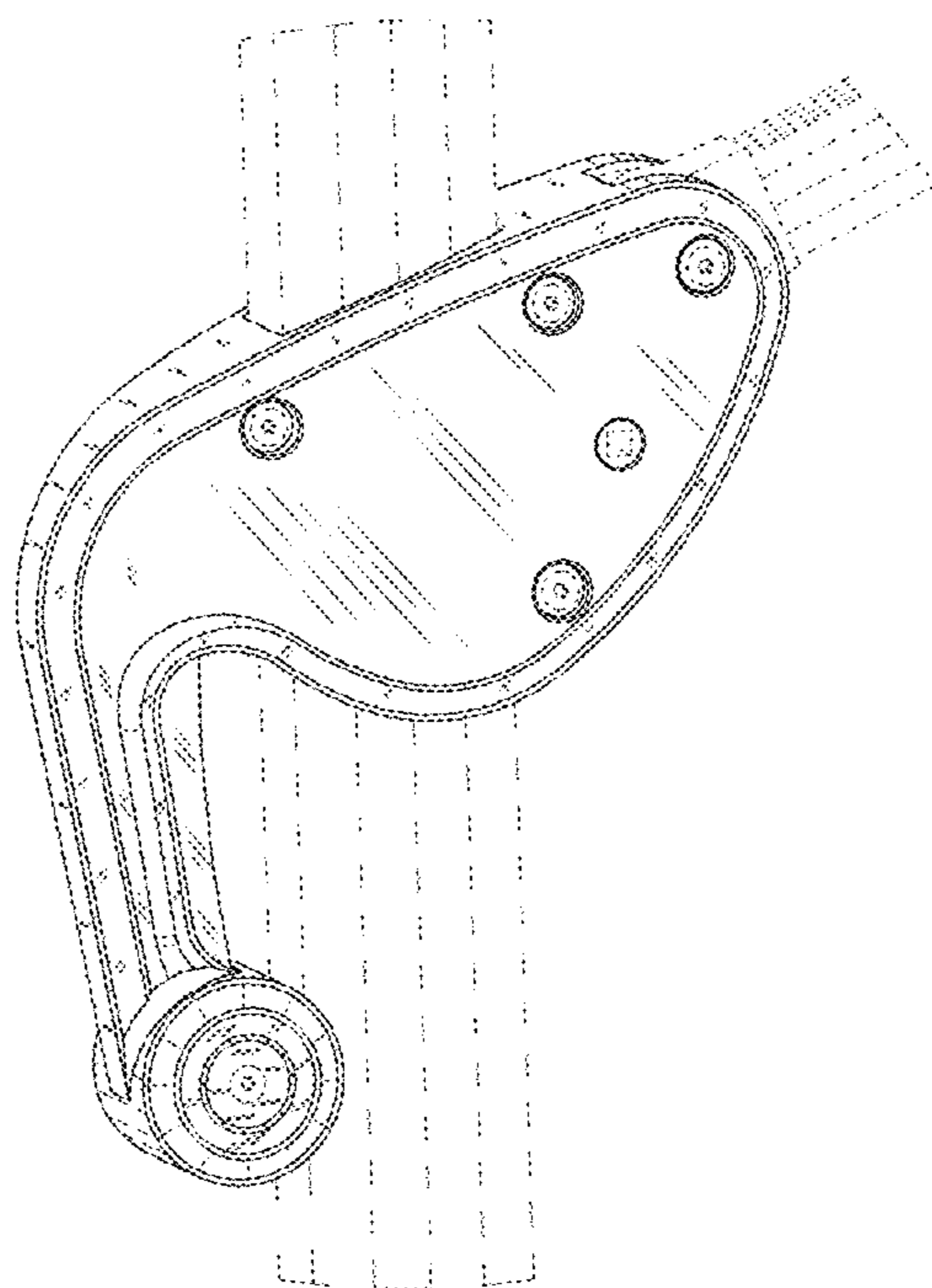
*Primary Examiner* — John Windmuller  
*Assistant Examiner* — Steven J Czyz  
(74) *Attorney, Agent, or Firm* — Wayne & Ken, LLC;  
Tony Hom

(57) **CLAIM**  
The ornamental design for a parasol handle, as shown.  
**DESCRIPTION**

FIG. 1 is a perspective view of a parasol handle;  
FIG. 2 is a front view of the parasol handle;  
FIG. 3 is a back side view of the parasol handle;  
FIG. 4 is a bottom view of the parasol handle;  
FIG. 5 is a top view of the parasol handle;  
FIG. 6 is a left side view of the parasol handle; and,  
FIG. 7 is a right side view of the parasol handle.  
The broken lines depict portions of the article and environment that form no part of the claimed design.

**1 Claim, 7 Drawing Sheets**

- (56) **References Cited**  
U.S. PATENT DOCUMENTS  
6,382,222 B1 \* 5/2002 Ko ..... A45B 25/08  
135/25.1  
D602,686 S \* 10/2009 Patzak ..... D3/10  
D609,453 S \* 2/2010 Liu ..... D3/5  
D621,600 S \* 8/2010 He ..... D3/5  
D638,622 S \* 5/2011 He ..... D3/5  
D640,464 S \* 6/2011 Forthuber ..... D3/5



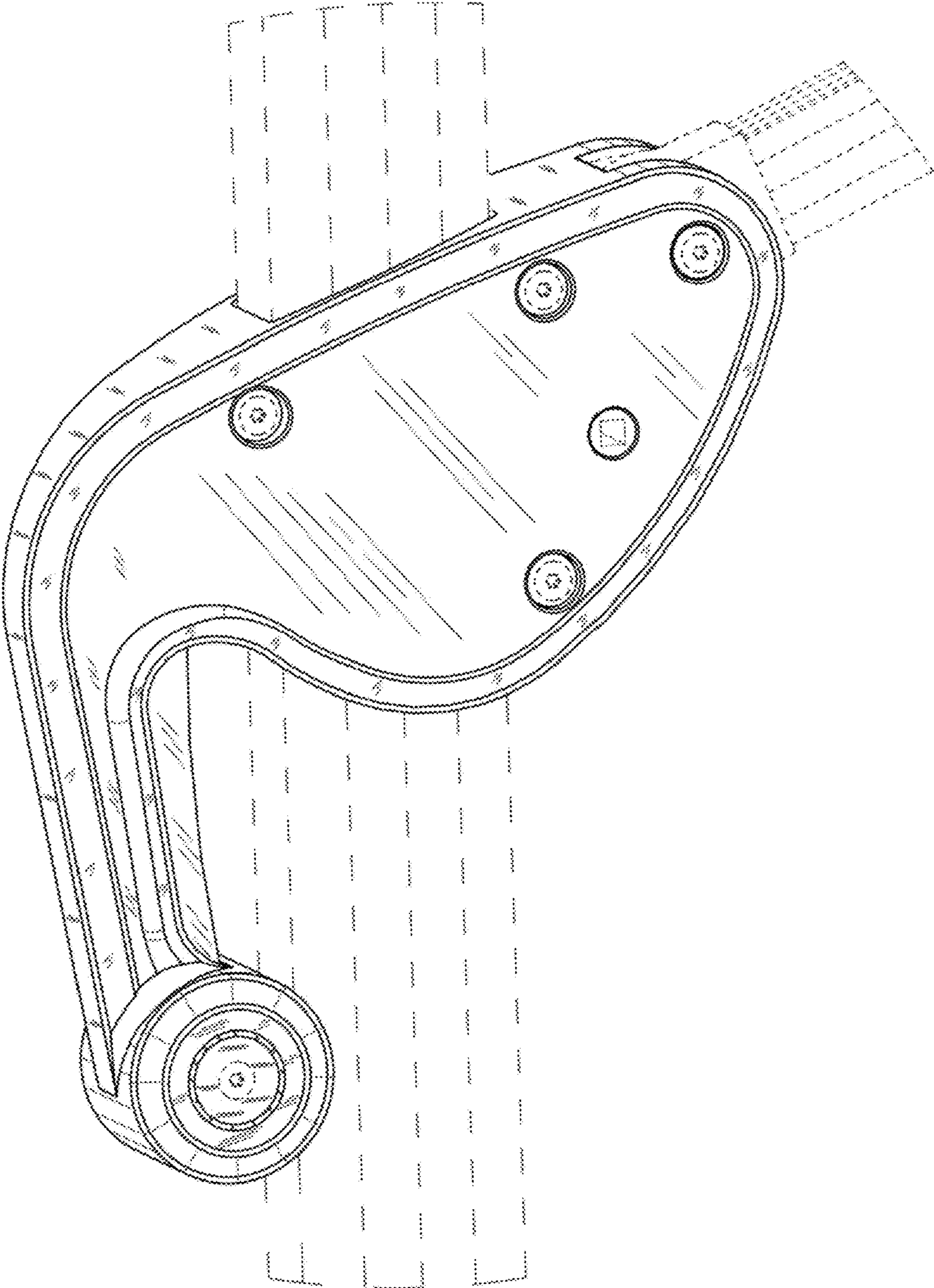


Fig. 1

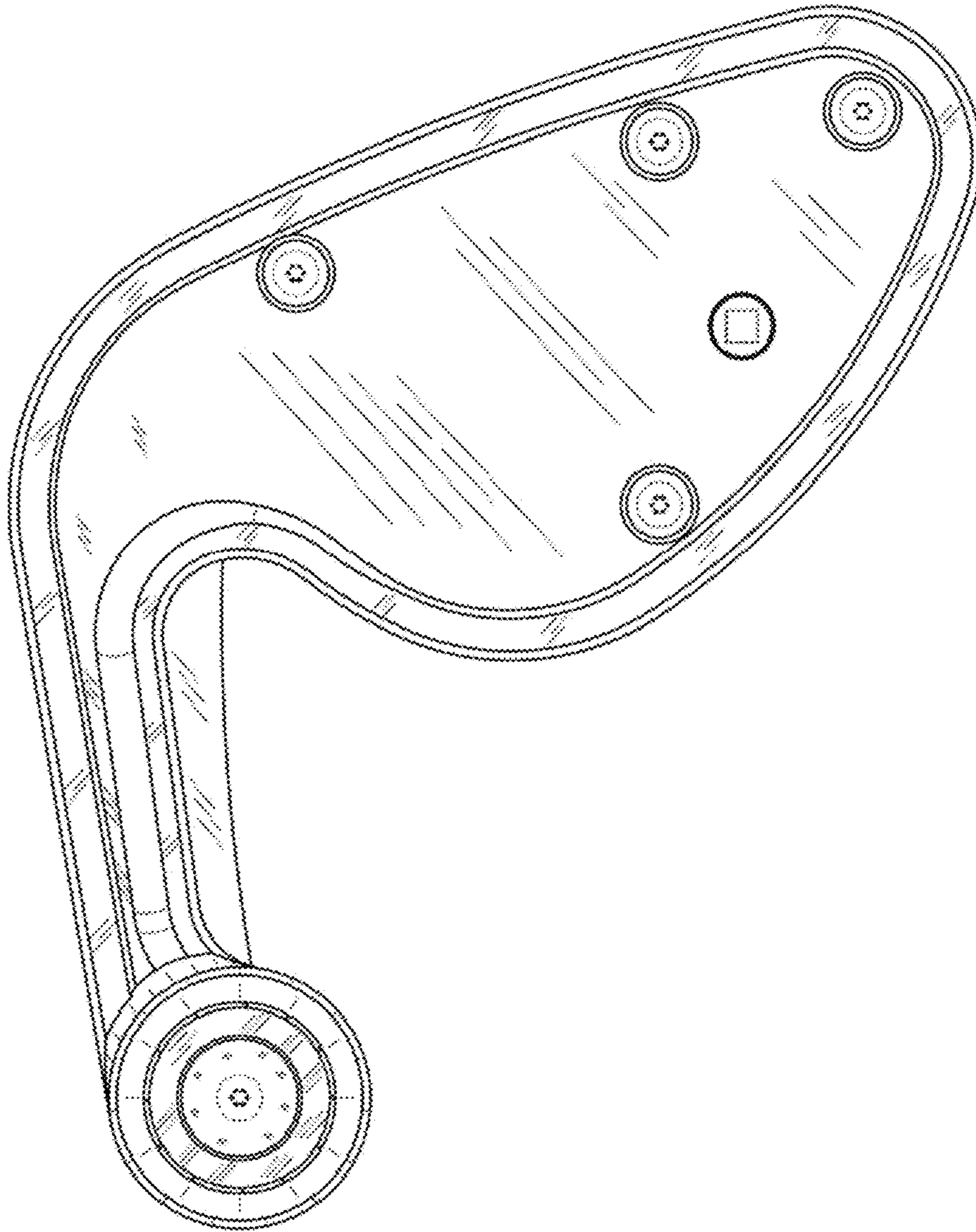


Fig. 2



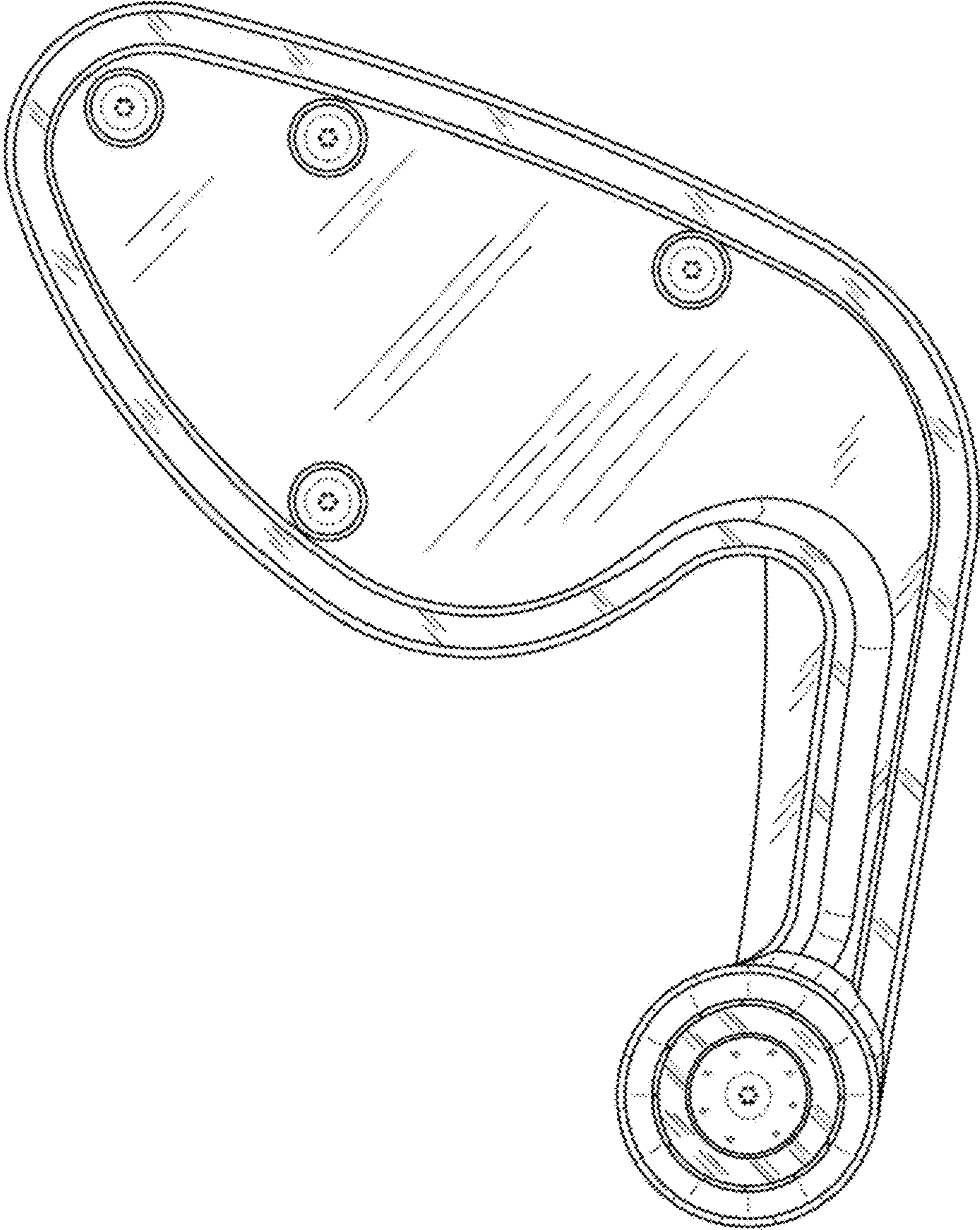


Fig. 3

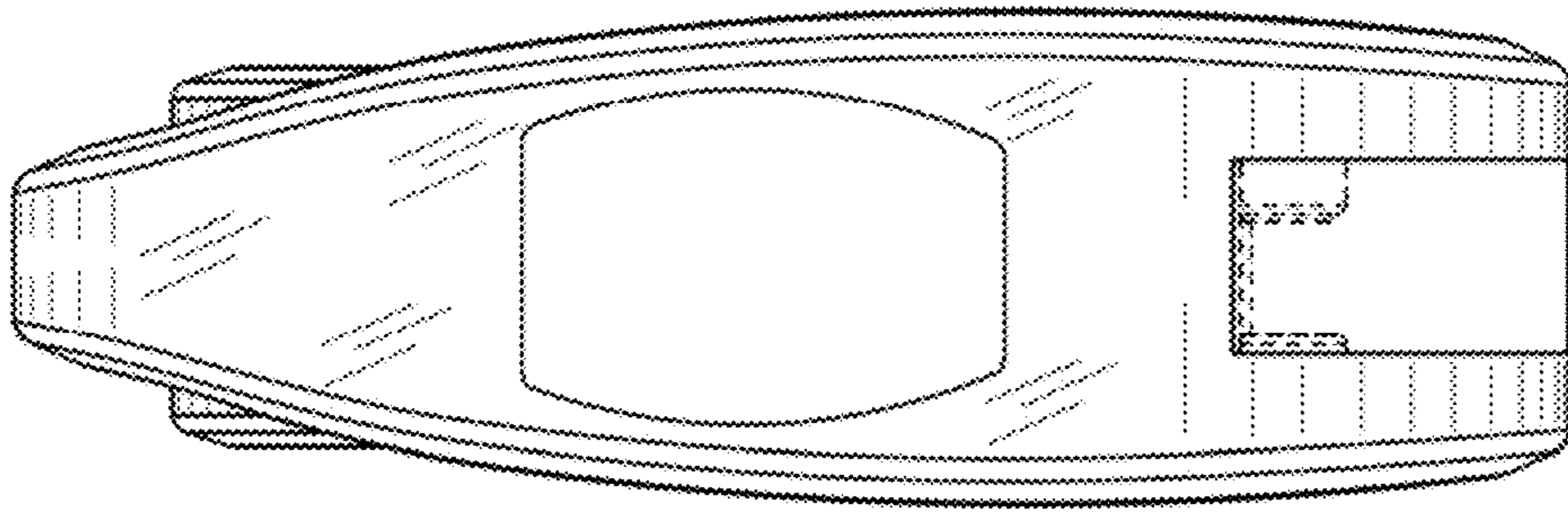


Fig. 4

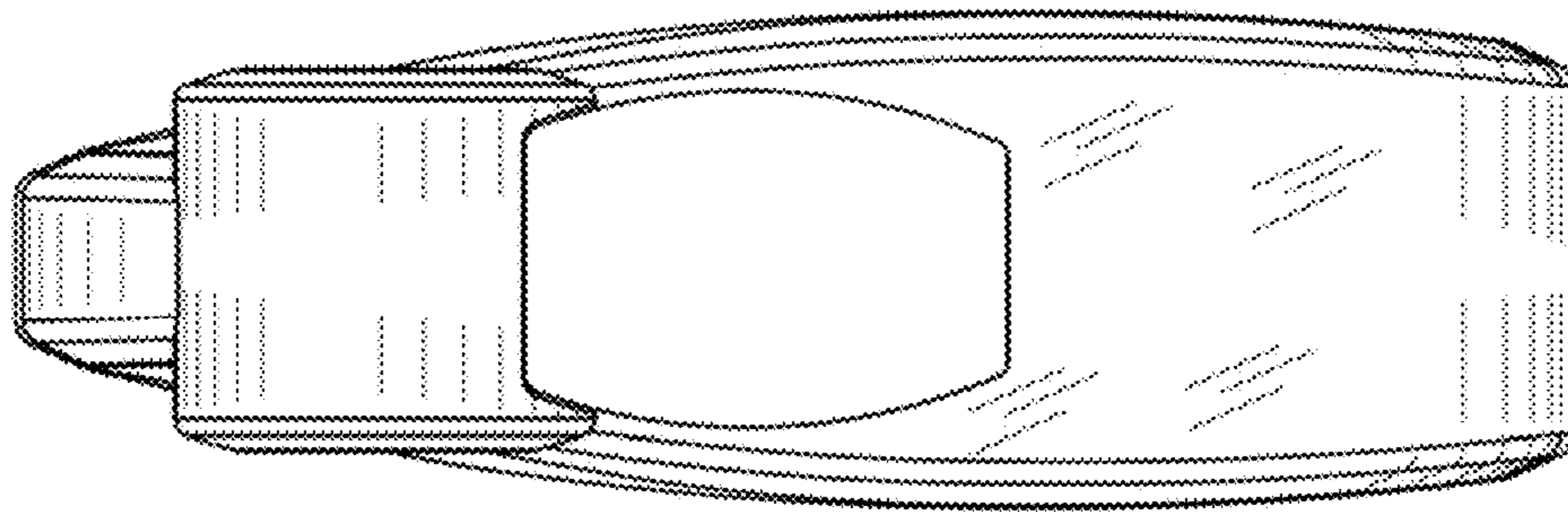


Fig. 5

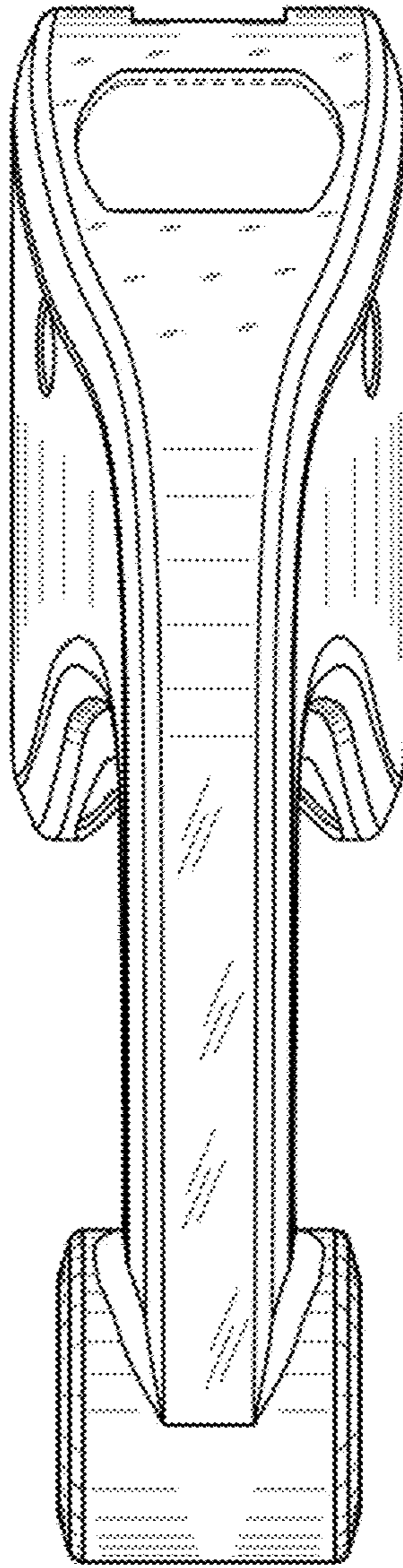


Fig. 6

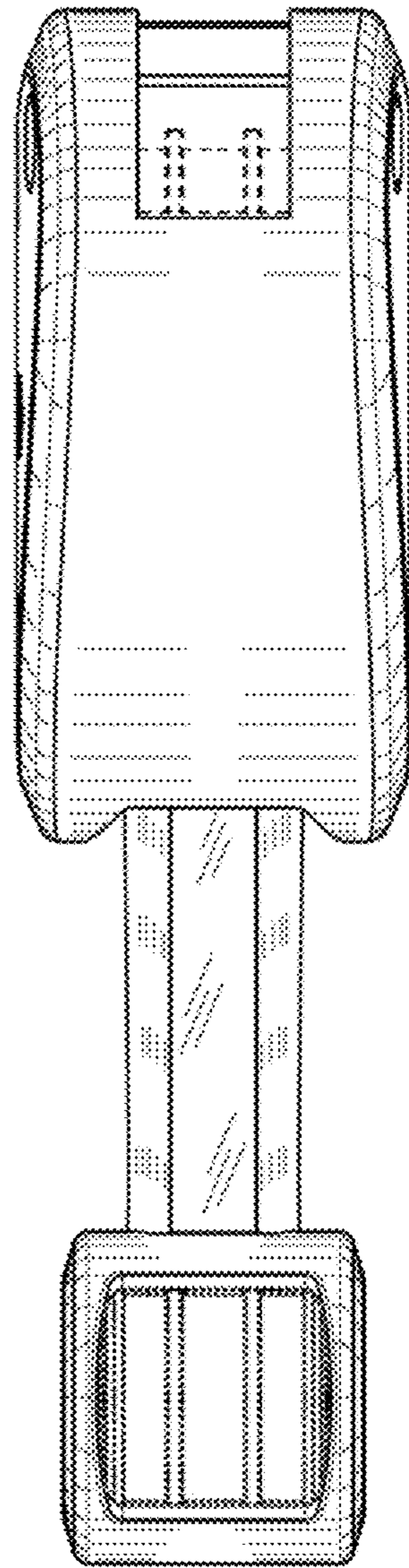


Fig. 7