



US00D815825S

(12) **United States Design Patent**
Goldberg

(10) **Patent No.:** **US D815,825 S**

(45) **Date of Patent:** **** Apr. 24, 2018**

- (54) **SHOE OUTSOLE**
- (71) Applicant: **Dynasty Footwear, Ltd.**, El Segundo, CA (US)
- (72) Inventor: **Jonathan Goldberg**, Los Angeles, CA (US)
- (73) Assignee: **Dynasty Footwear, Ltd.**, El Segundo, CA (US)
- (**) Term: **15 Years**
- (21) Appl. No.: **29/590,832**
- (22) Filed: **Jan. 13, 2017**
- (51) **LOC (11) Cl.** **02-04**
- (52) **U.S. Cl.**
USPC **D2/957**; D2/951; D2/960
- (58) **Field of Classification Search**
USPC D2/902, 906, 908, 916, 918, 925, D2/946-962, 977; 36/3 B, 22 R, 24.5, 36/25 R, 28, 32 R, 34 R, 59 C, 67 A, 103
CPC A43B 13/00; A43B 13/02; A43B 13/023; A43B 13/026; A43B 13/04; A43B 13/08; A43B 13/10; A43B 13/12; A43B 13/14; A43B 13/141; A43B 13/143; A43B 13/16; A43B 13/18; A43B 13/181; A43B 13/187; A43B 13/189; A43B 13/20; A43B 13/22; A43B 13/223; A43B 13/24; A43B 13/28; A43B 13/30; A43B 13/32; A43B 13/34; A43B 13/36
See application file for complete search history.

D561,440 S *	2/2008	Andersen	D2/953
7,331,121 B2 *	2/2008	Lo	A43B 7/081
			36/3 B
D679,901 S *	4/2013	Raysse	D2/951
D689,679 S *	9/2013	McClaskie	D2/951
D710,078 S *	8/2014	Joseph	D2/951
D723,783 S *	3/2015	Miner	D2/947
D724,297 S *	3/2015	Oliver	D2/951
D735,454 S *	8/2015	Yun	D2/951
D742,106 S *	11/2015	Taestensen	D2/951
D746,561 S *	1/2016	Bikowski	D2/951
D752,849 S *	4/2016	Babcock	D2/951
D767,263 S *	9/2016	Moore	D2/951
D770,741 S *	11/2016	Reiser	D2/947
D774,287 S *	12/2016	Teteriatnikov	D2/951
D774,290 S *	12/2016	Taestensen	D2/908
		Taestensen	D2/951

(Continued)

Primary Examiner — T. Chase Nelson
(74) *Attorney, Agent, or Firm* — Joseph G. Swan, P.C.

(57) **CLAIM**

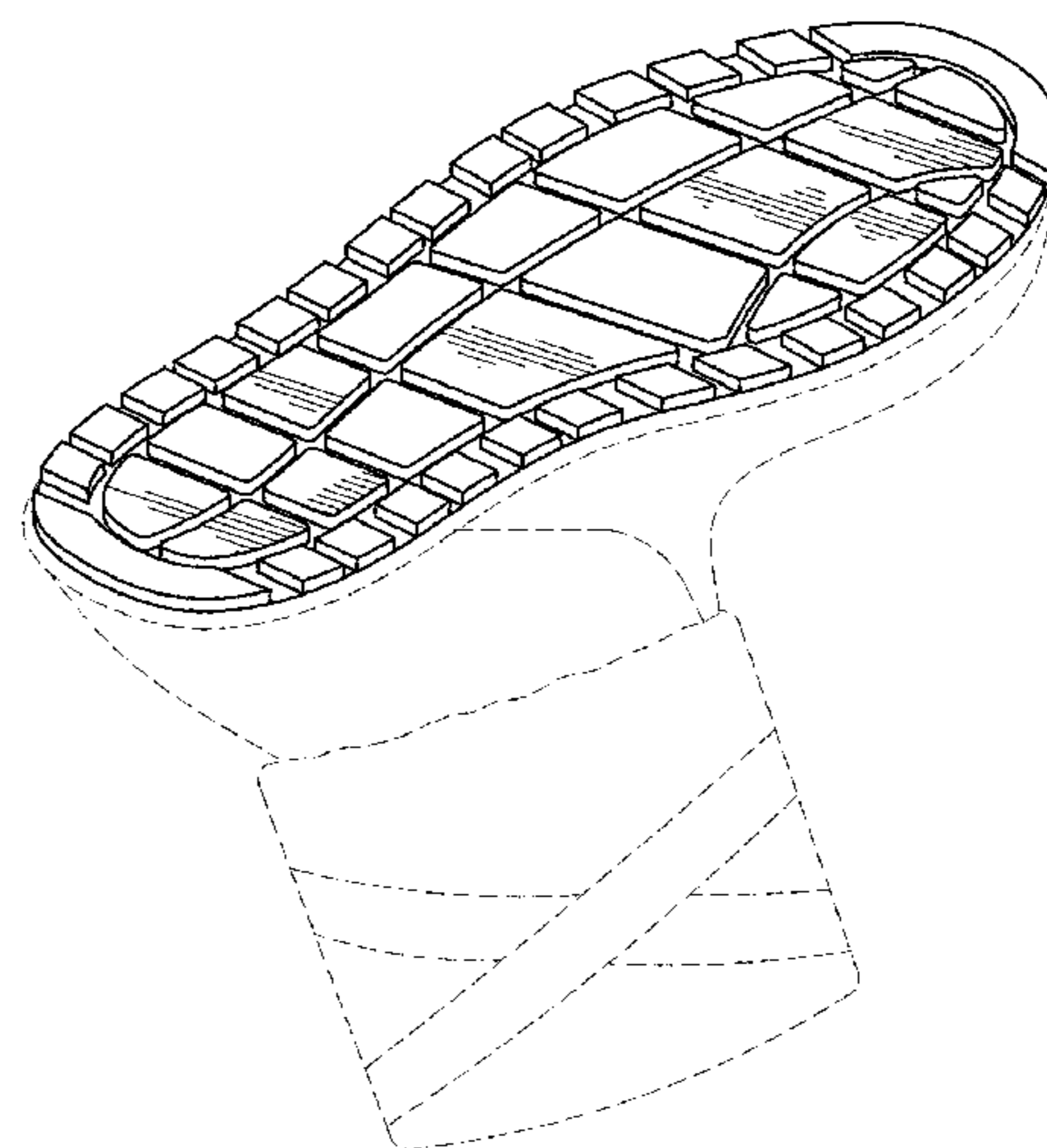
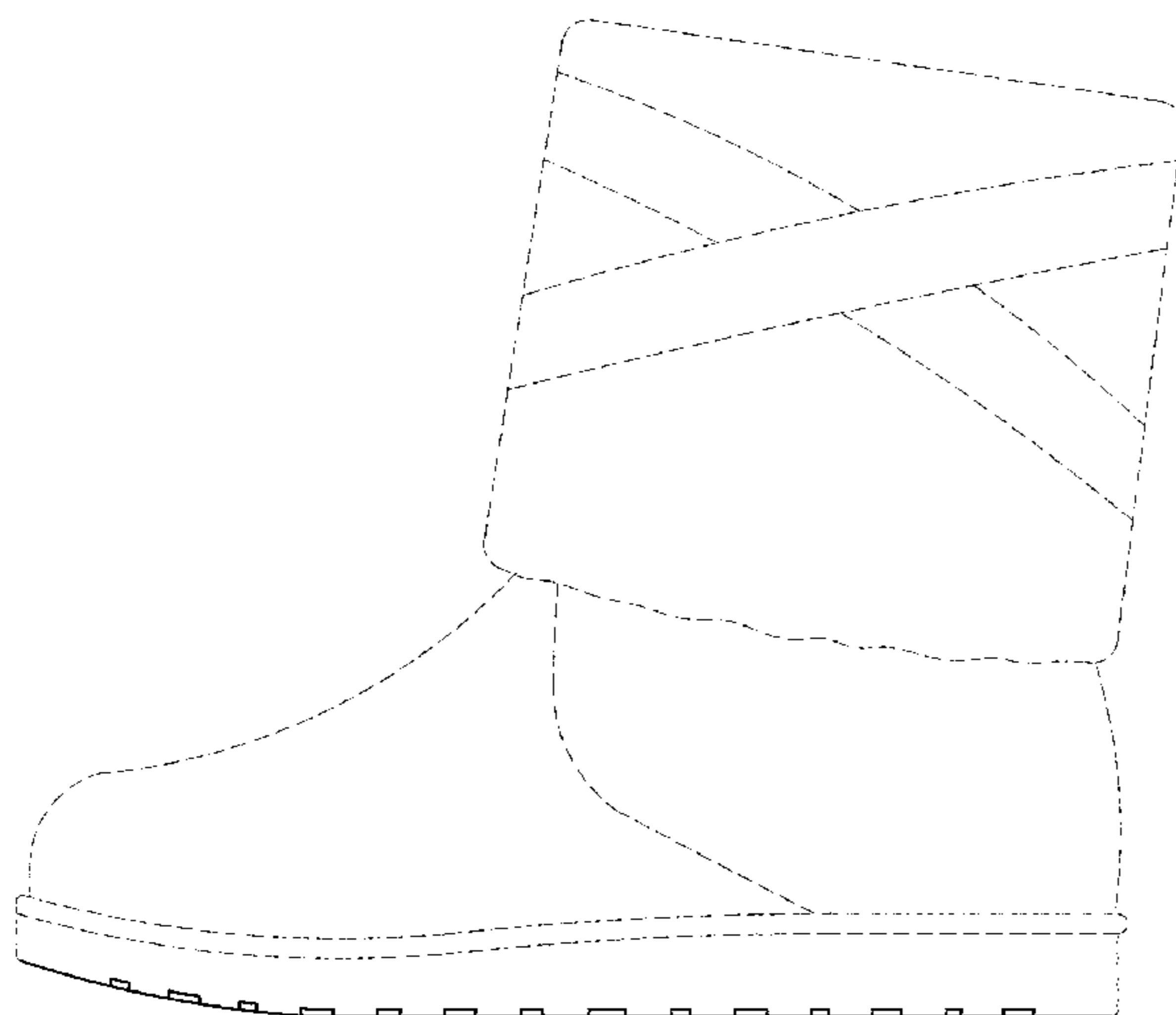
The ornamental design for a shoe outsole, as shown and described.

DESCRIPTION

FIG. 1 is a front right perspective view of a shoe outsole according to the present invention.
 FIG. 2 is a right side elevational view of the shoe outsole.
 FIG. 3 is a left side elevational view of the shoe outsole.
 FIG. 4 is a rear elevational view of the shoe outsole.
 FIG. 5 is a front elevational view of the shoe outsole.
 FIG. 6 is a bottom perspective view of the shoe outsole; and,
 FIG. 7 is a bottom plan view of the shoe outsole.
 The portions shown in broken lines are solely for the purpose of illustrating context, environment or other unclaimed areas and form no part of the claimed design. FIGS. 1-7 depict a first embodiment of a shoe outsole for a right shoe. A second embodiment is a shoe outsole for a left shoe, which is a mirror image of that shown.

1 Claim, 6 Drawing Sheets

- (56) **References Cited**
U.S. PATENT DOCUMENTS
3,517,928 A * 6/1970 Shanahan A43B 3/0031
36/132
D289,103 S * 4/1987 Autry D2/961
D393,142 S * 4/1998 Brown D2/900



(56)

References Cited

U.S. PATENT DOCUMENTS

D781,040 S * 3/2017 Scofield D2/947
D783,966 S * 4/2017 Raasch D2/951
D784,670 S * 4/2017 Lok D2/951
D795,539 S * 8/2017 Mason D2/902
9,717,301 B2 * 8/2017 Peikert A43B 7/12
D797,423 S * 9/2017 Bischoff D2/951
D797,426 S * 9/2017 Wegener D2/947
D797,427 S * 9/2017 Wegener D2/951
2008/0229617 A1 * 9/2008 Johnson A43B 3/0057
36/102
2008/0244926 A1 * 10/2008 Yu A43B 7/1415
36/28
2011/0126428 A1 * 6/2011 Hazenberg A43B 13/122
36/103
2012/0222332 A1 * 9/2012 Greene A43D 35/00
36/103
2013/0227857 A1 * 9/2013 Schindler A43B 13/20
36/83
2014/0013624 A1 * 1/2014 Stockbridge A43B 13/00
36/103
2016/0044992 A1 * 2/2016 Reinhardt A43B 7/1465
36/88
2017/0020228 A1 * 1/2017 Scofield A43B 13/181
2017/0079373 A1 * 3/2017 Huard A43B 13/127
2017/0267848 A1 * 9/2017 Baghdadi C08L 23/0853

* cited by examiner

FIG. 1



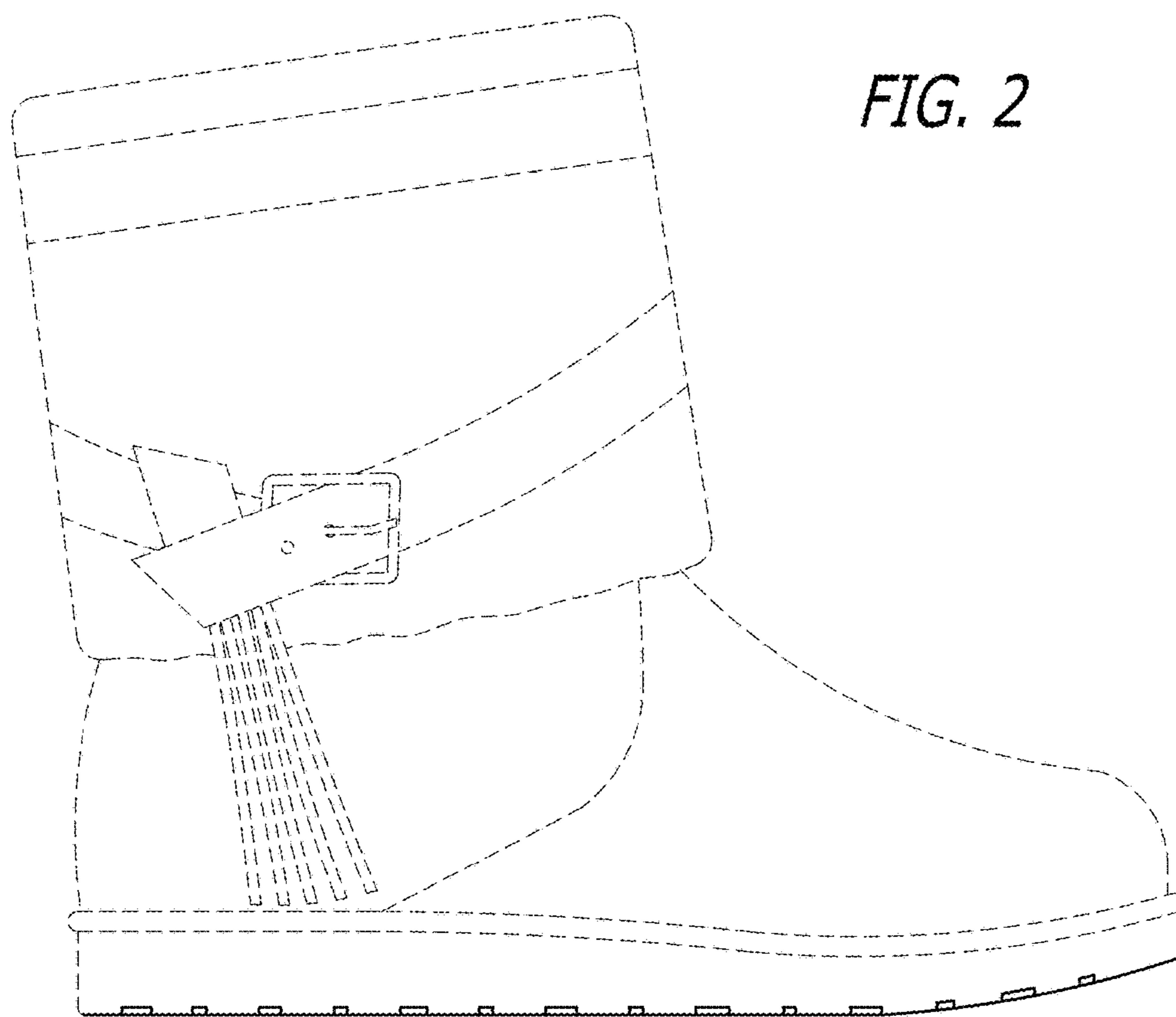


FIG. 2

FIG. 3

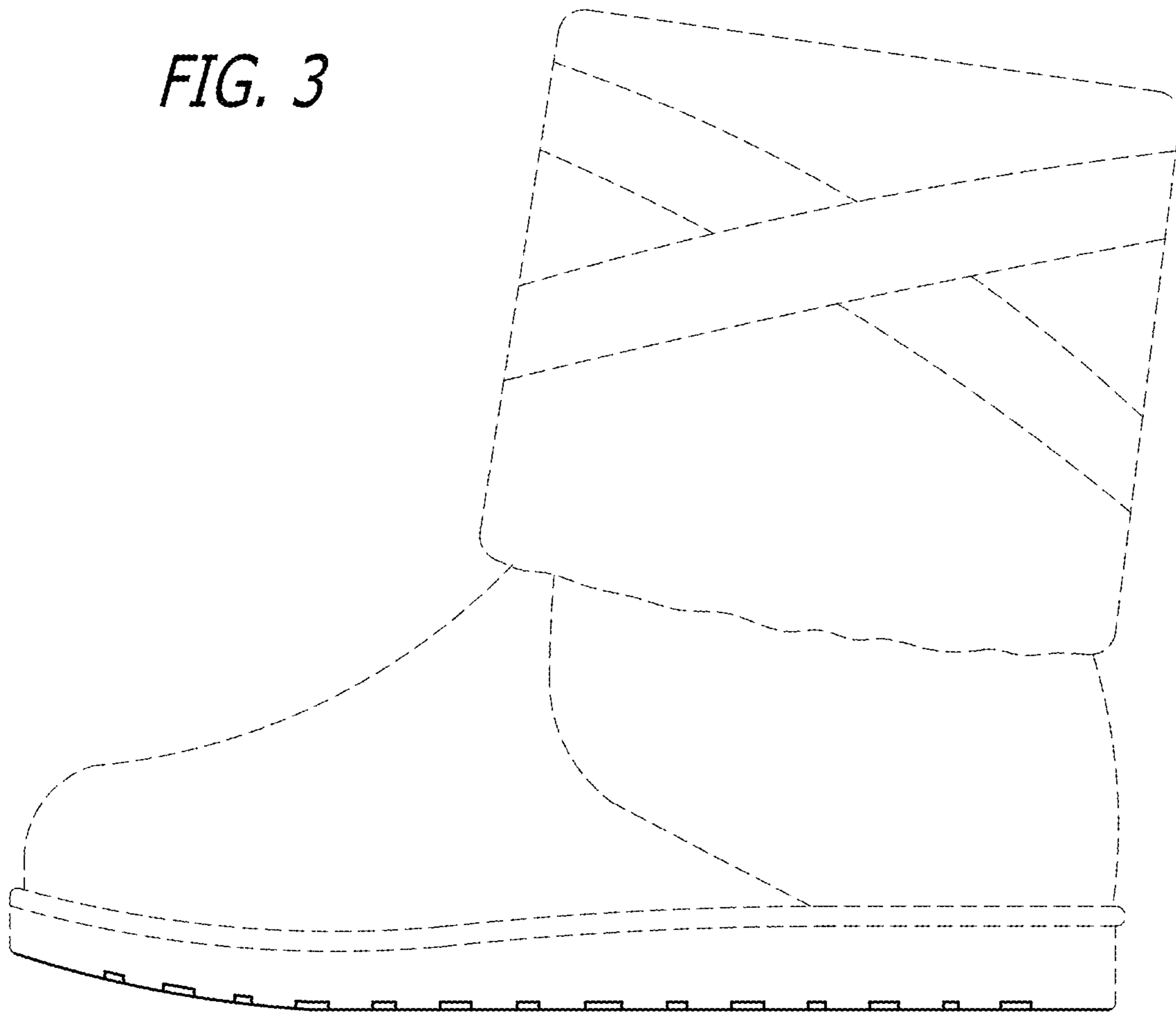


FIG. 4

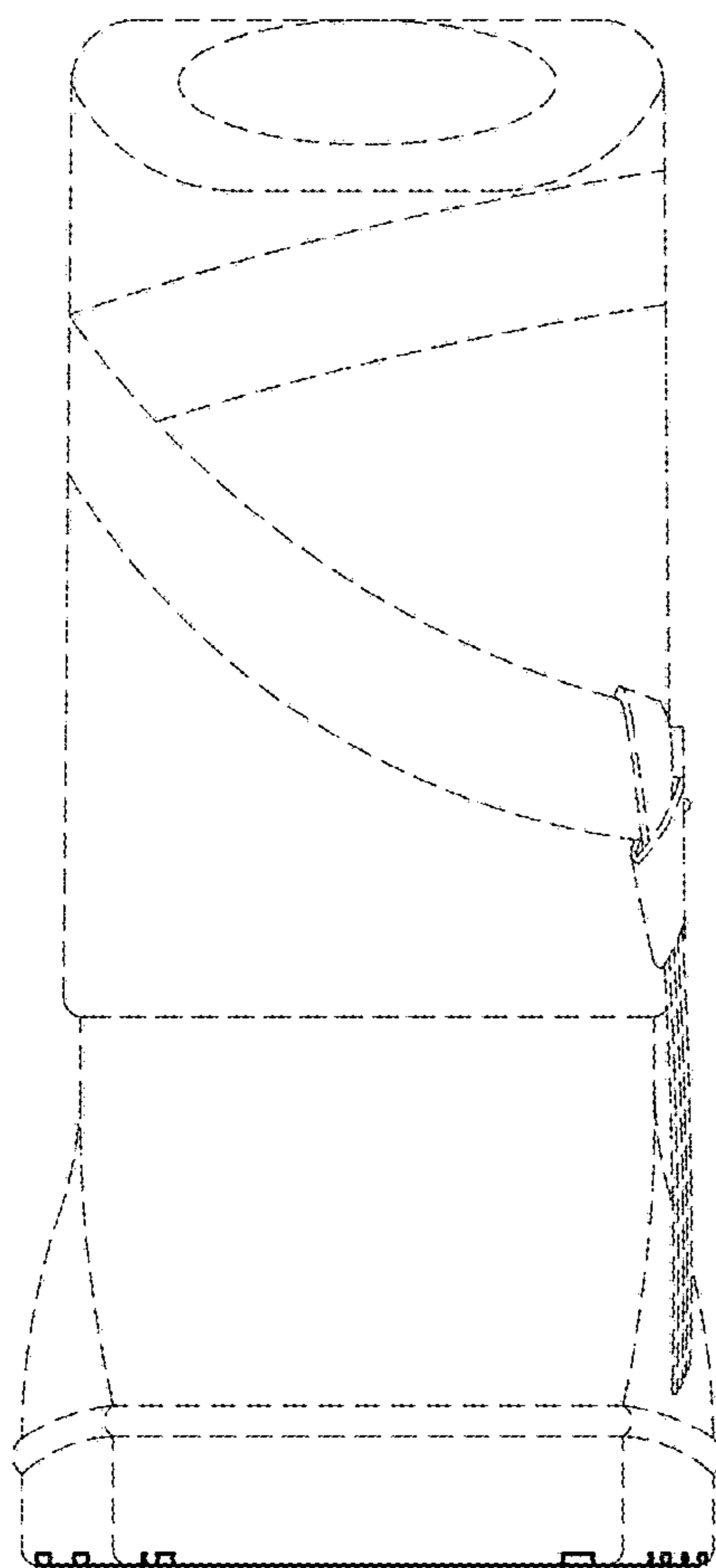


FIG. 5

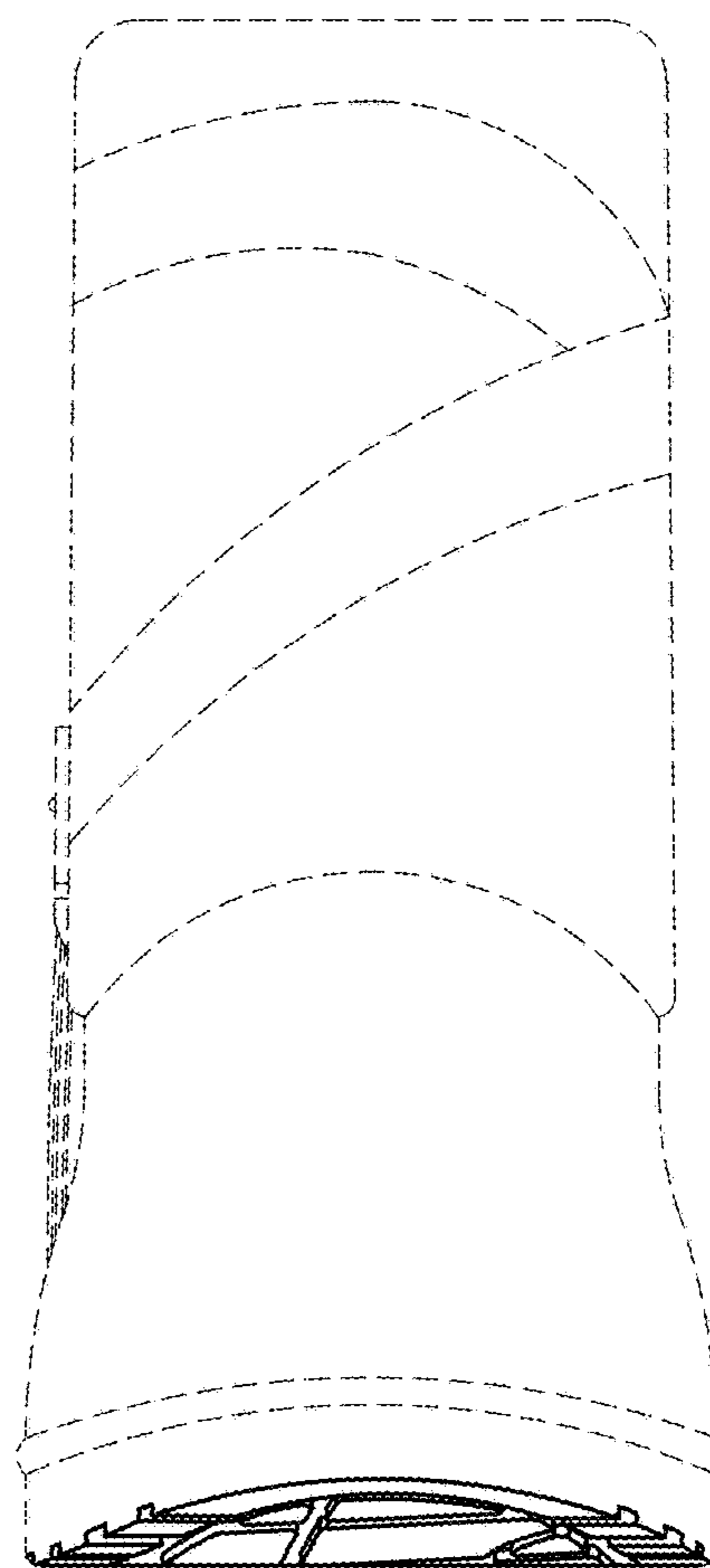
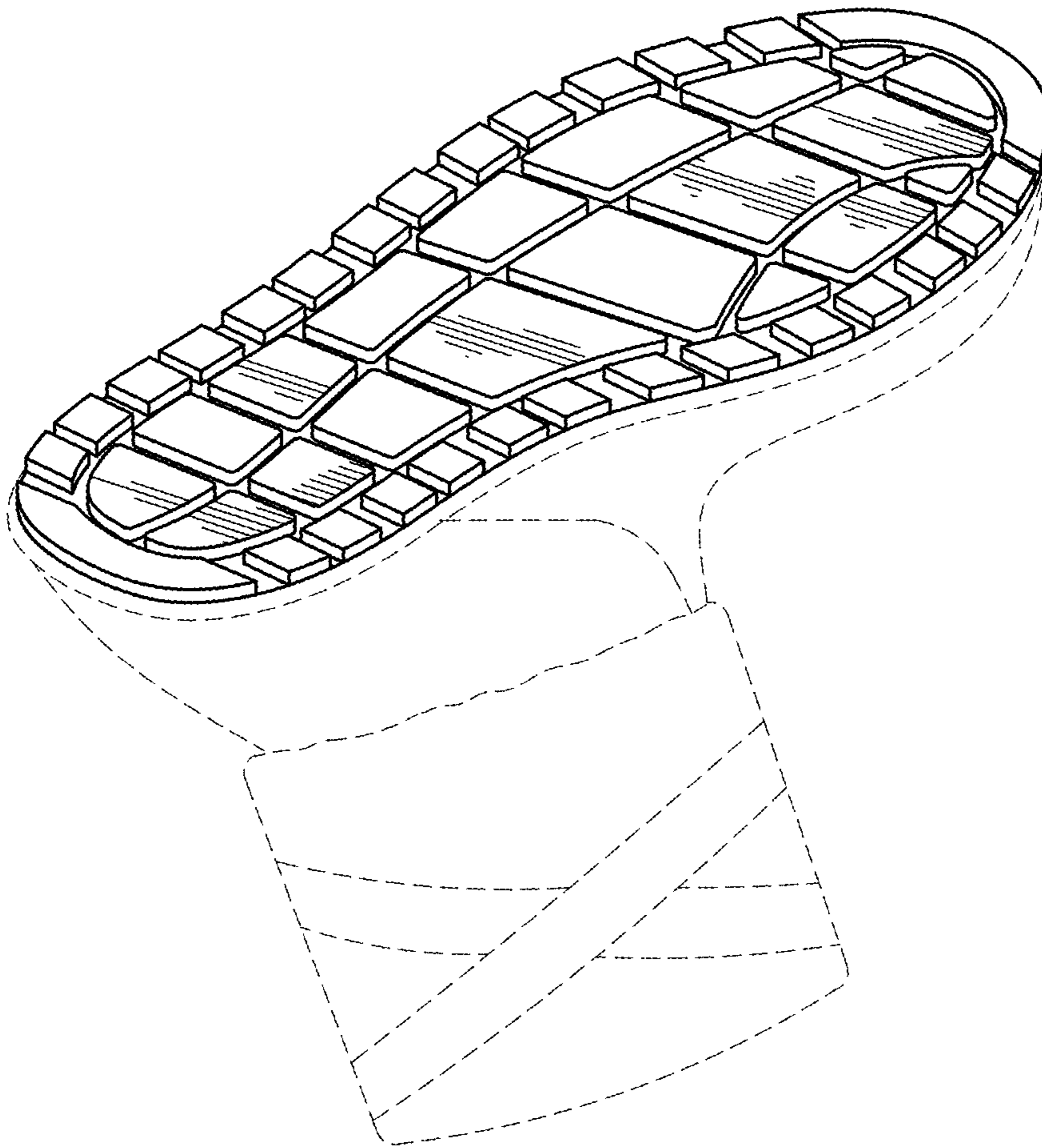


FIG. 6



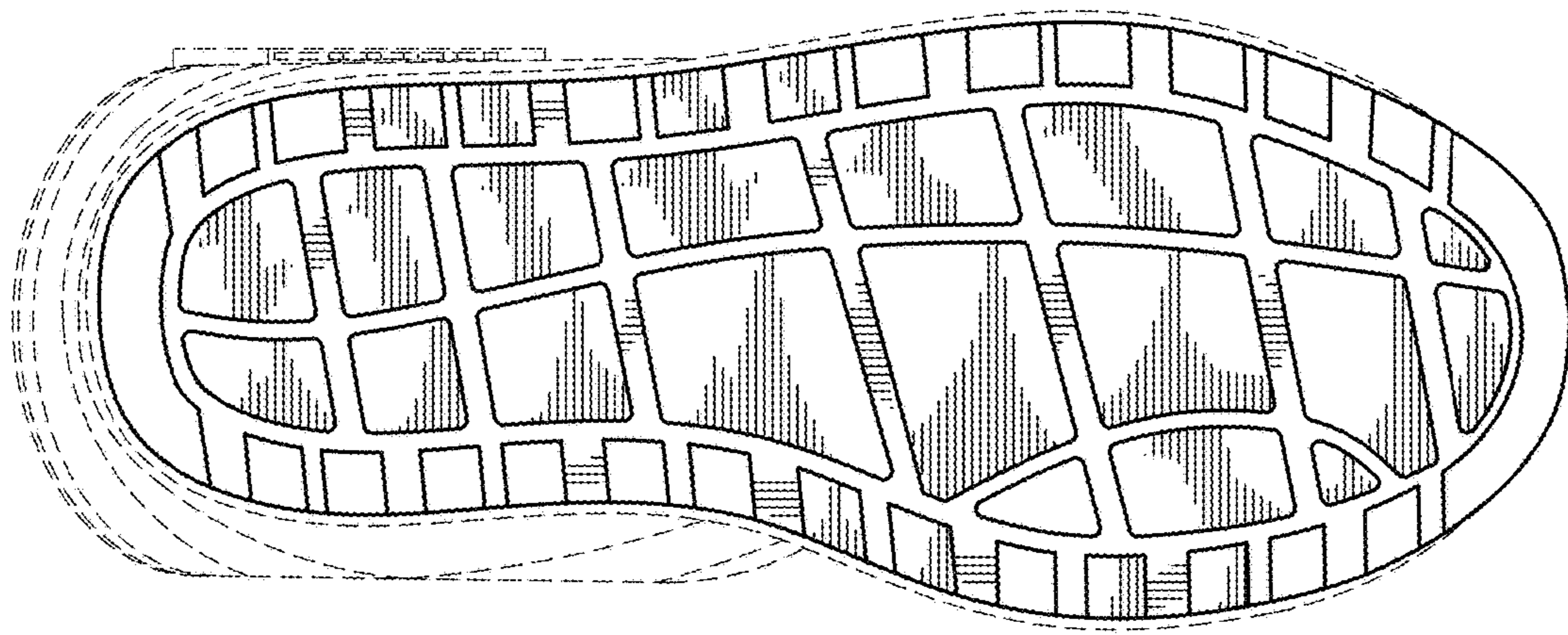


FIG. 7