



US00D815802S

(12) **United States Design Patent**
Terrell

(10) **Patent No.:** **US D815,802 S**
(45) **Date of Patent:** **** Apr. 24, 2018**

(54) **GARMENT**

(71) Applicant: **NIKE, Inc.**, Beaverton, OR (US)

(72) Inventor: **Brogan Terrell**, Beaverton, OR (US)

(73) Assignee: **NIKE, Inc.**, Beaverton, OR (US)

(**) Term: **15 Years**

(21) Appl. No.: **29/574,631**

(22) Filed: **Aug. 17, 2016**

(51) **LOC (11) Cl.** **02-02**

(52) **U.S. Cl.**
USPC **D2/840**

(58) **Field of Classification Search**
USPC D2/717, 840, 701, 702, 829
CPC A41D 13/0015
See application file for complete search history.

(56) **References Cited**

U.S. PATENT DOCUMENTS

1,249,446	A *	12/1917	Mell	A41D 31/0038
					2/78.1
6,061,832	A *	5/2000	Morrison, Jr.	A41B 9/00
					2/69
D426,937	S *	6/2000	Auster	D2/829
6,921,375	B2 *	7/2005	Kihara	A61F 5/028
					2/311
D616,627	S *	6/2010	Schindler	D2/702
D622,932	S *	9/2010	Gettler	D2/717
D641,128	S *	7/2011	Zarabi	D2/703
D654,659	S *	2/2012	Scott-Curran	D2/717
D667,607	S *	9/2012	Schindler	D2/702
D674,578	S *	1/2013	Glass	D2/731
D725,347	S *	3/2015	Kirkwood	D2/701
D755,473	S *	5/2016	Darmour	D2/717
D762,346	S *	8/2016	Lomax	D2/829
D778,537	S *	2/2017	Adrovic	D2/731
D778,541	S *	2/2017	Adrovic	D2/840
D779,163	S *	2/2017	Adrovic	D2/840

D800,998	S *	10/2017	Harris	D2/731
2008/0134409	A1 *	6/2008	Karasina	A41D 1/04
					2/117
2011/0209264	A1 *	9/2011	Williams	A41D 13/0015
					2/69
2016/0015096	A1 *	1/2016	LeMarbe	A41D 13/0562
					2/102

* cited by examiner

Primary Examiner — Kevin K Rudzinski

(74) *Attorney, Agent, or Firm* — Shook, Hardy and Bacon L.L.P.

(57) **CLAIM**

The ornamental design for a garment, as shown and described.

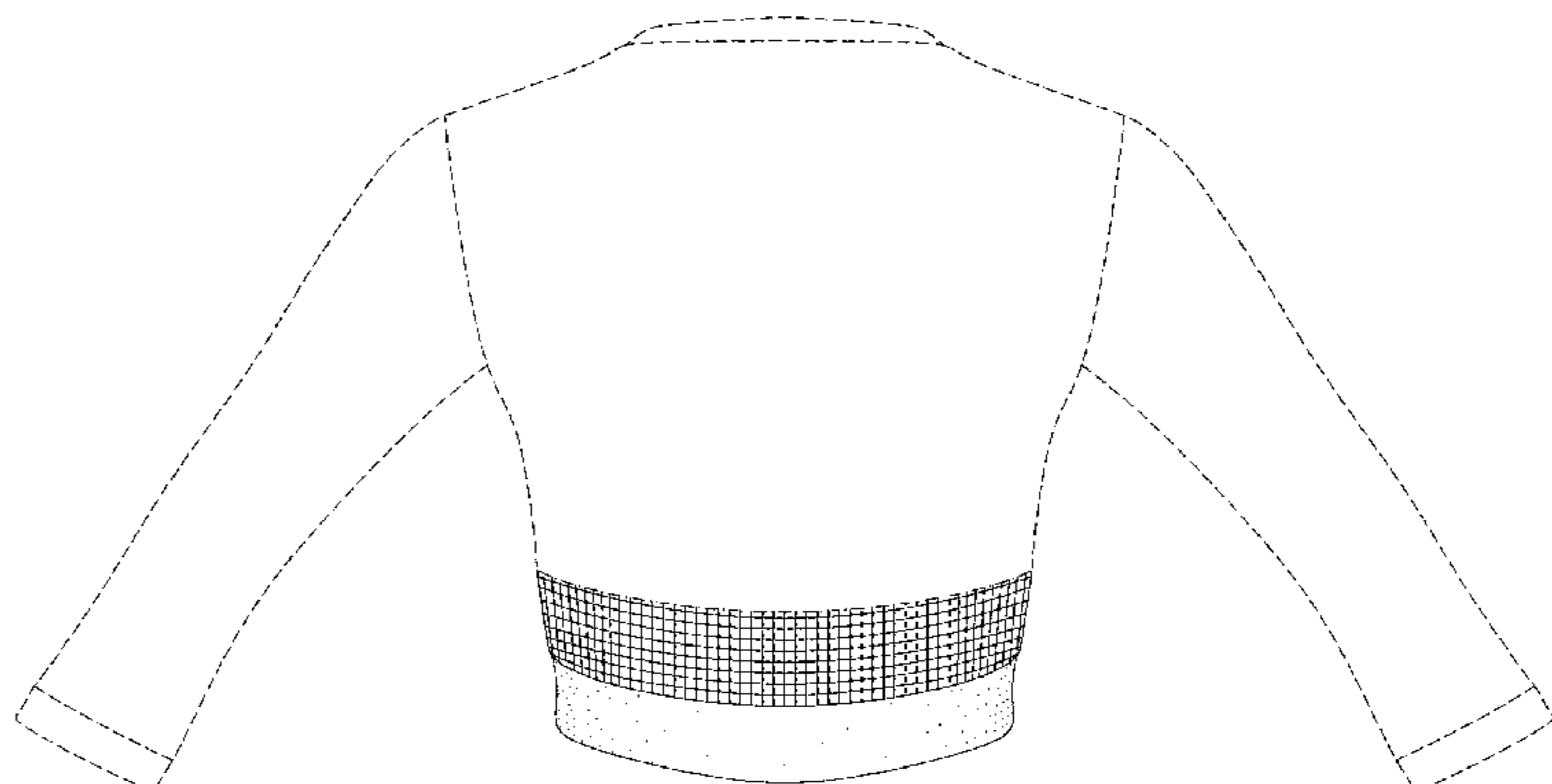
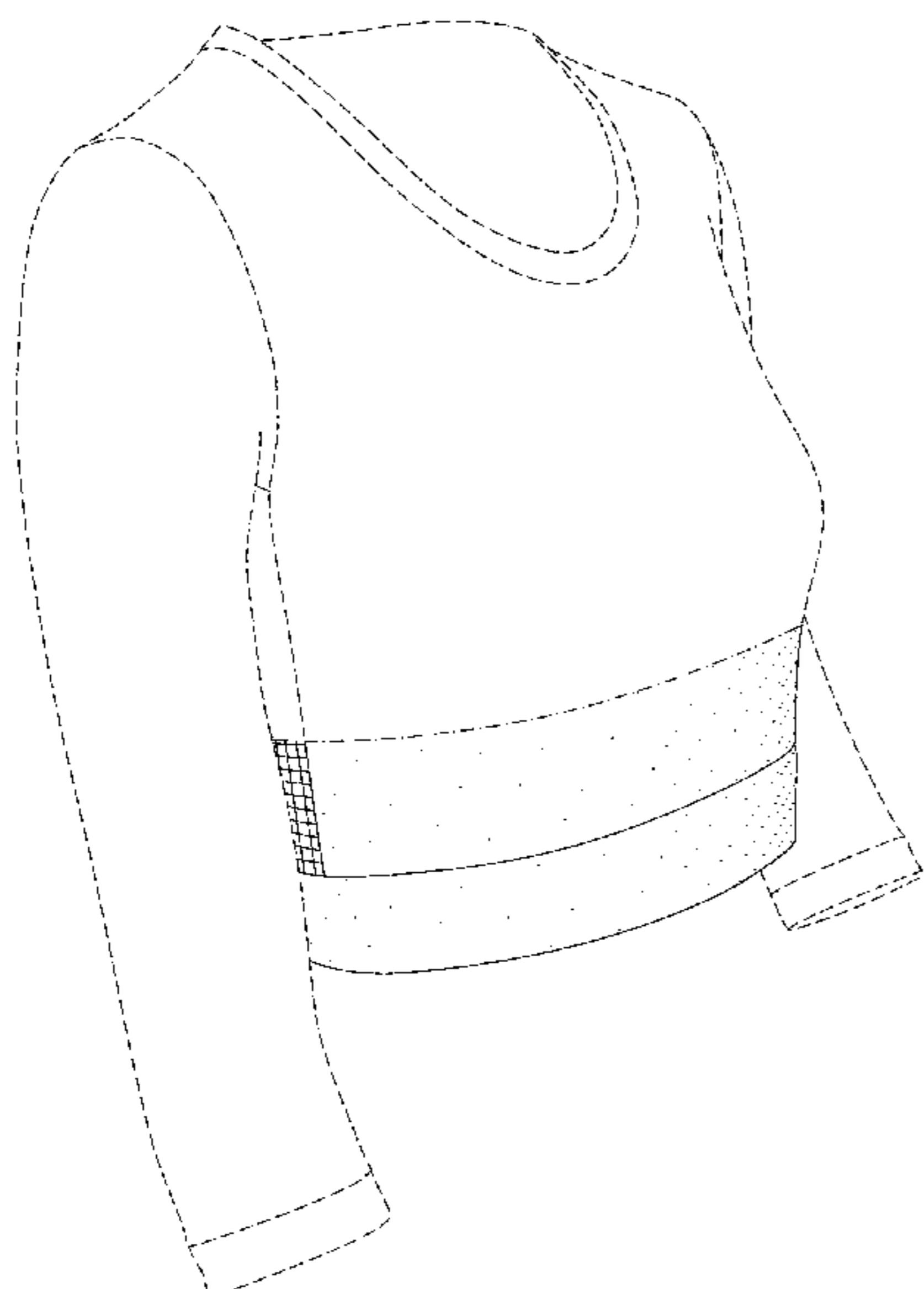
DESCRIPTION

FIG. 1 is a right front perspective view of a garment that is in an as-worn configuration showing my new design; FIG. 2 is a front view thereof; FIG. 3 is a rear view thereof; FIG. 4 is a first side view thereof with a sleeve portion of the garment in a raised position; FIG. 5 is a top view thereof; and, FIG. 6 is a bottom view thereof.

The depiction of the back of the garment reflects a generic mesh pattern spanning this part of the garment, and no specific mesh pattern is claimed. The evenly spaced broken lines shown in the drawings are directed to environmental subject matter only, and form no part of the claimed design. The dot-dash lines depict boundary of the claimed design and form no part of the claimed design.

The surface shading does not represent any color, texture, markings that actually exist thereon, indicia, graphic representations, surface treatment, or any other ornamentation applied to the article.

1 Claim, 6 Drawing Sheets



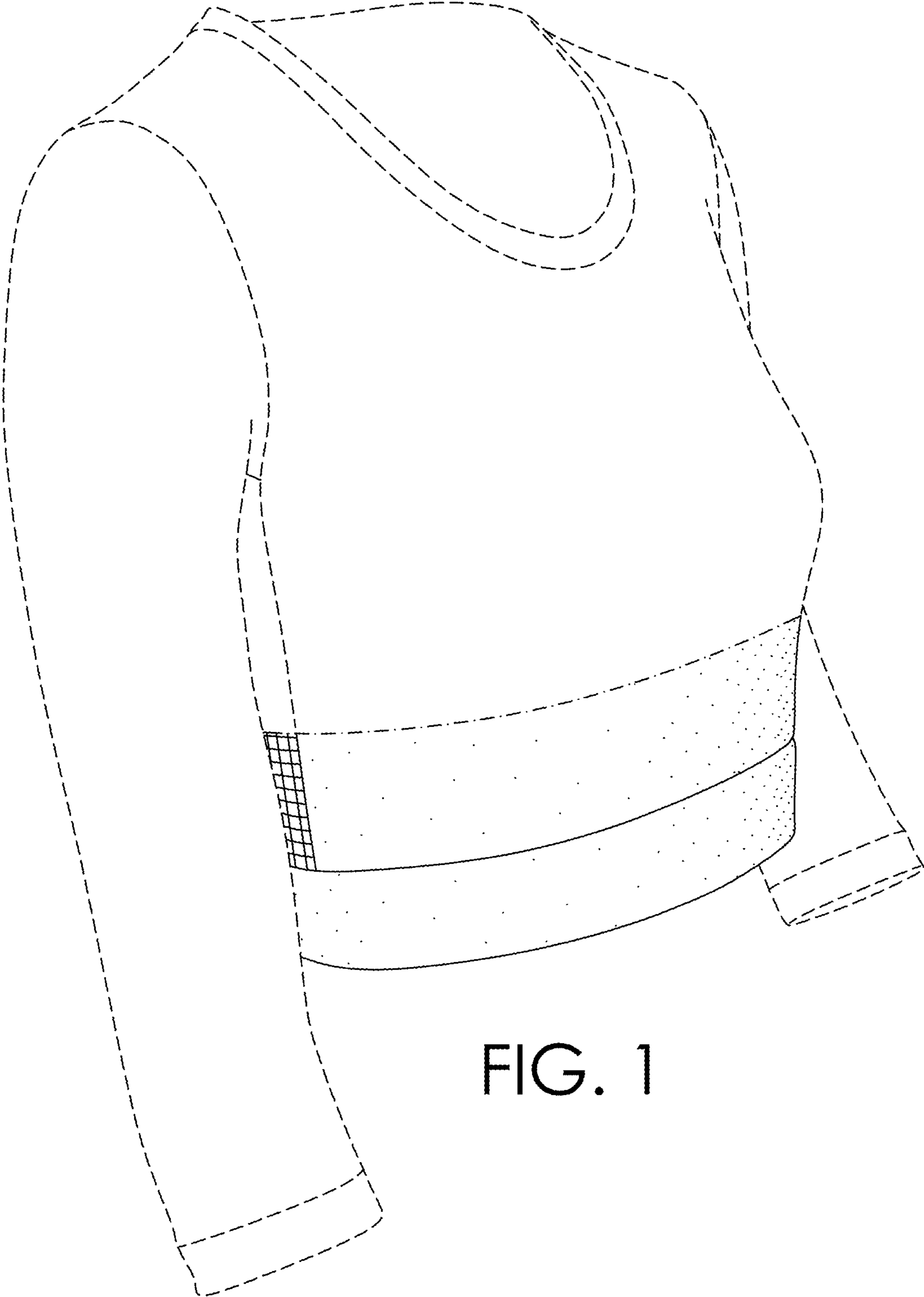


FIG. 1

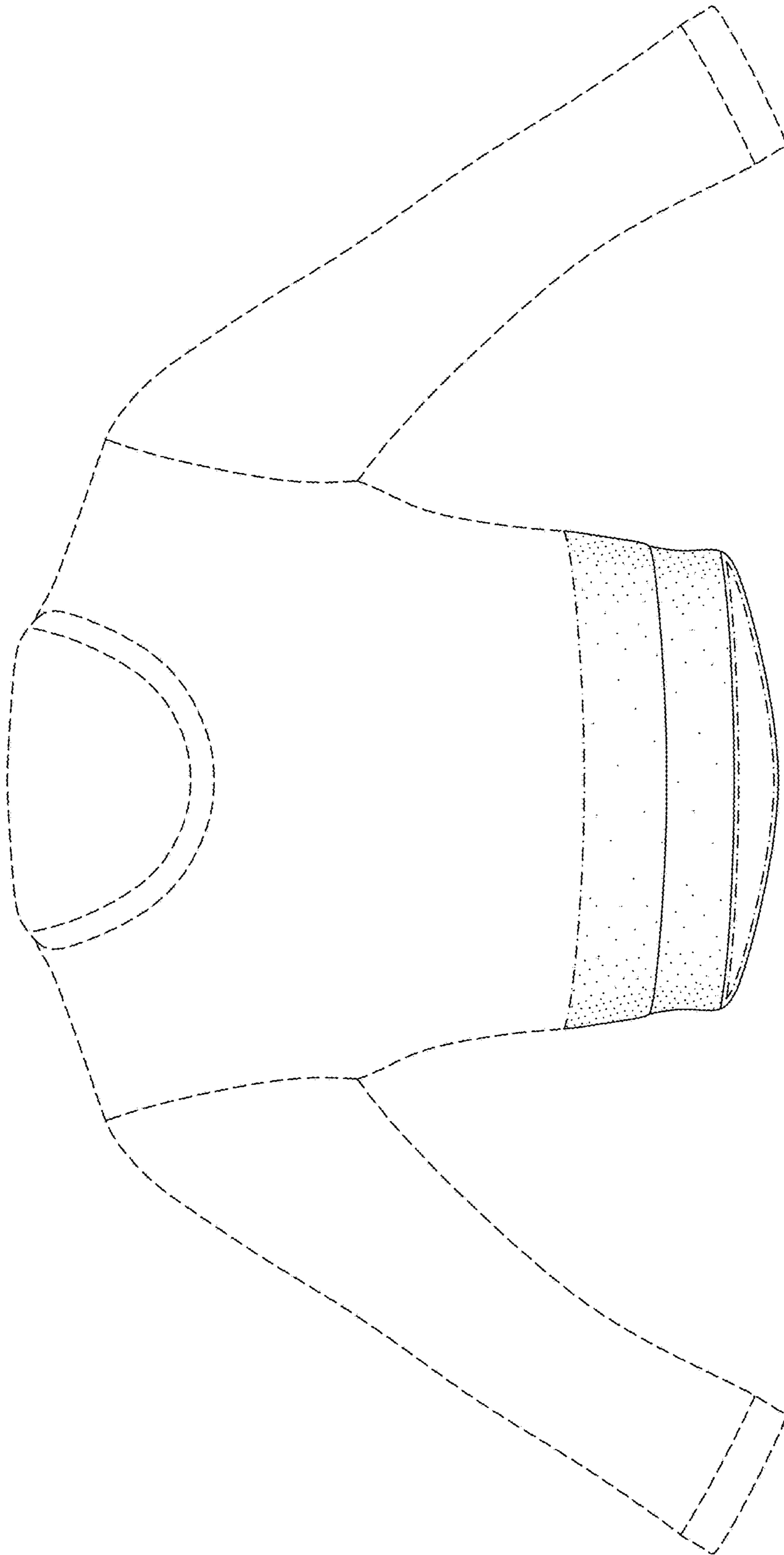


FIG. 2

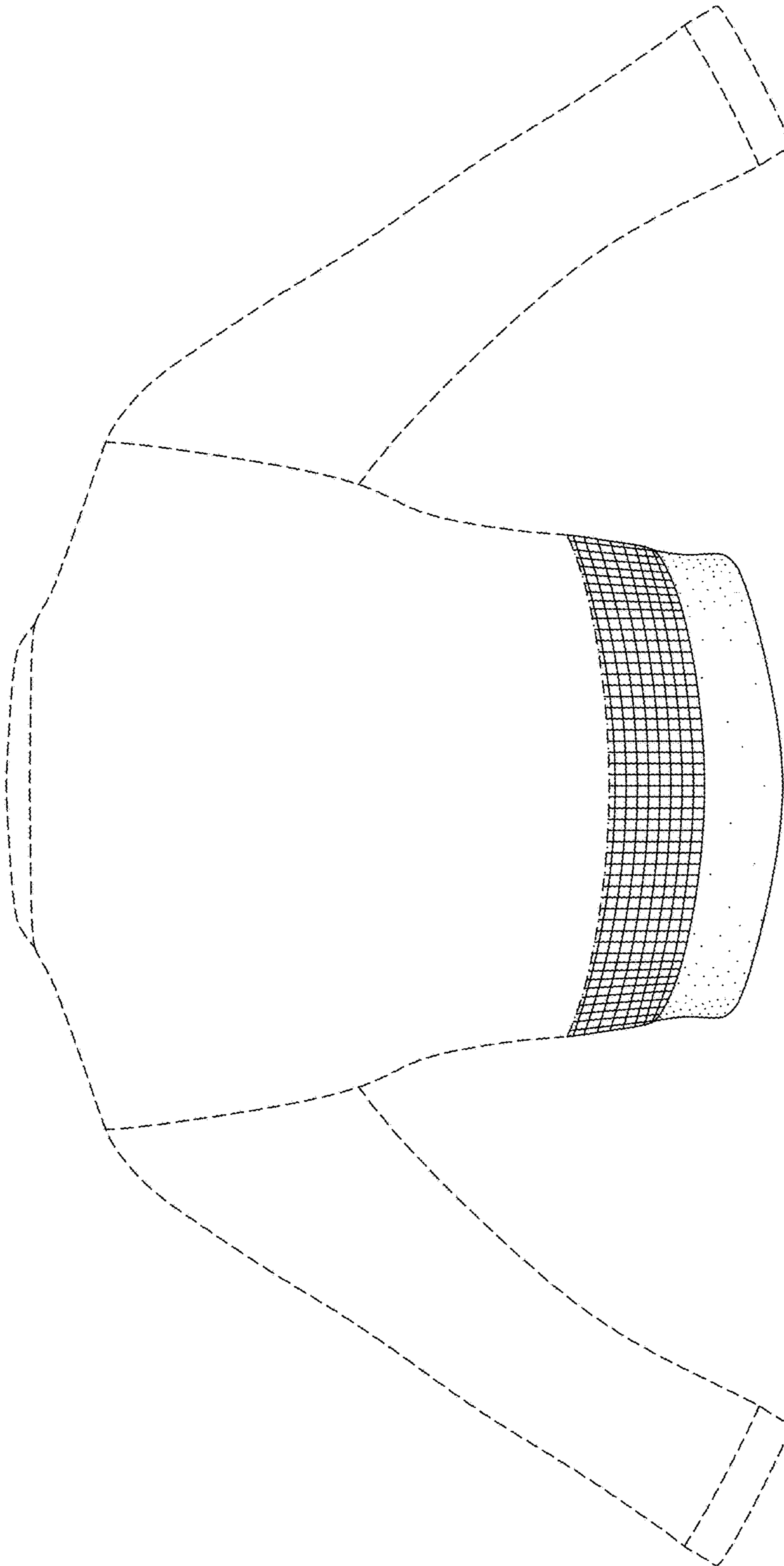


FIG. 3

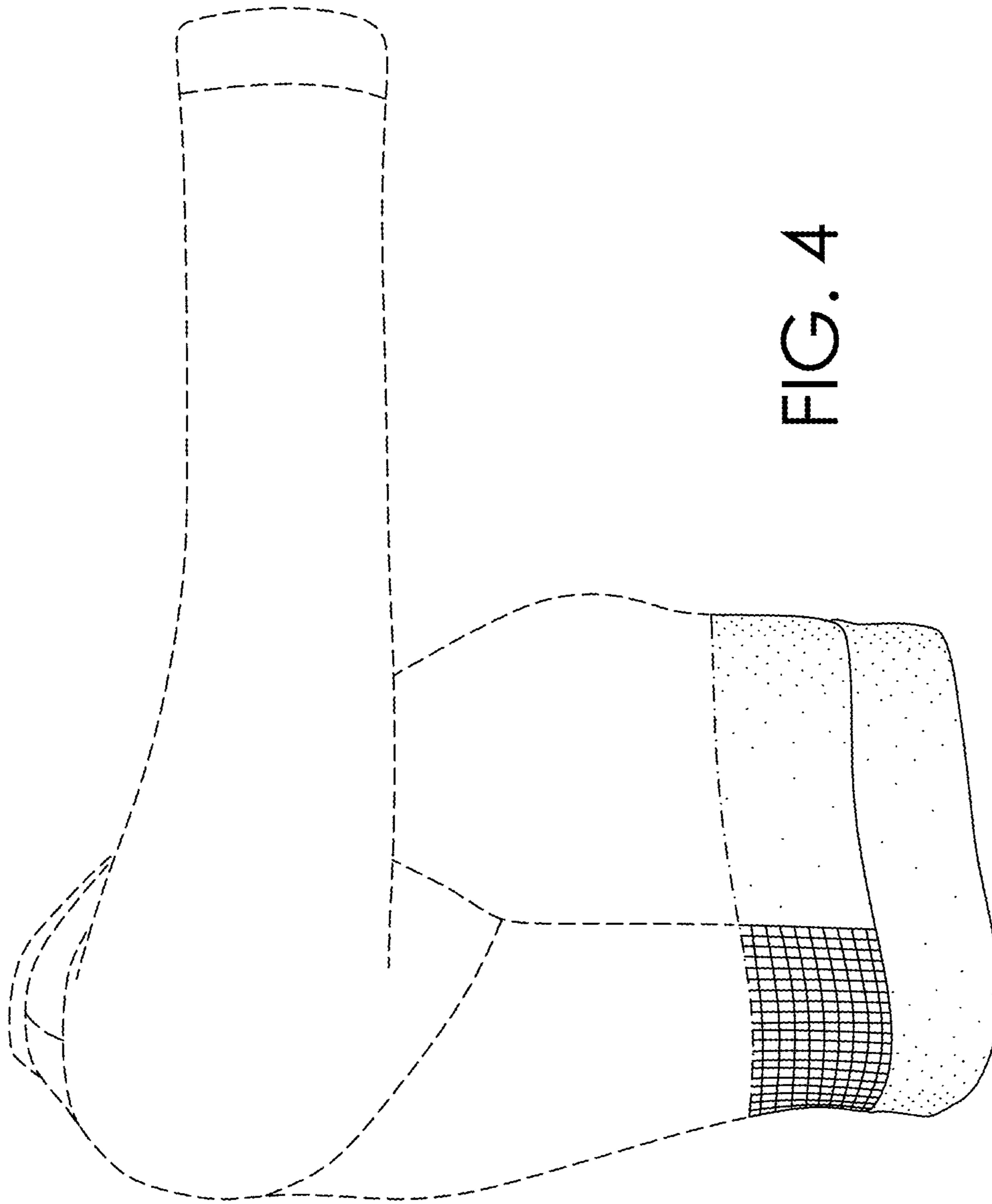


FIG. 4

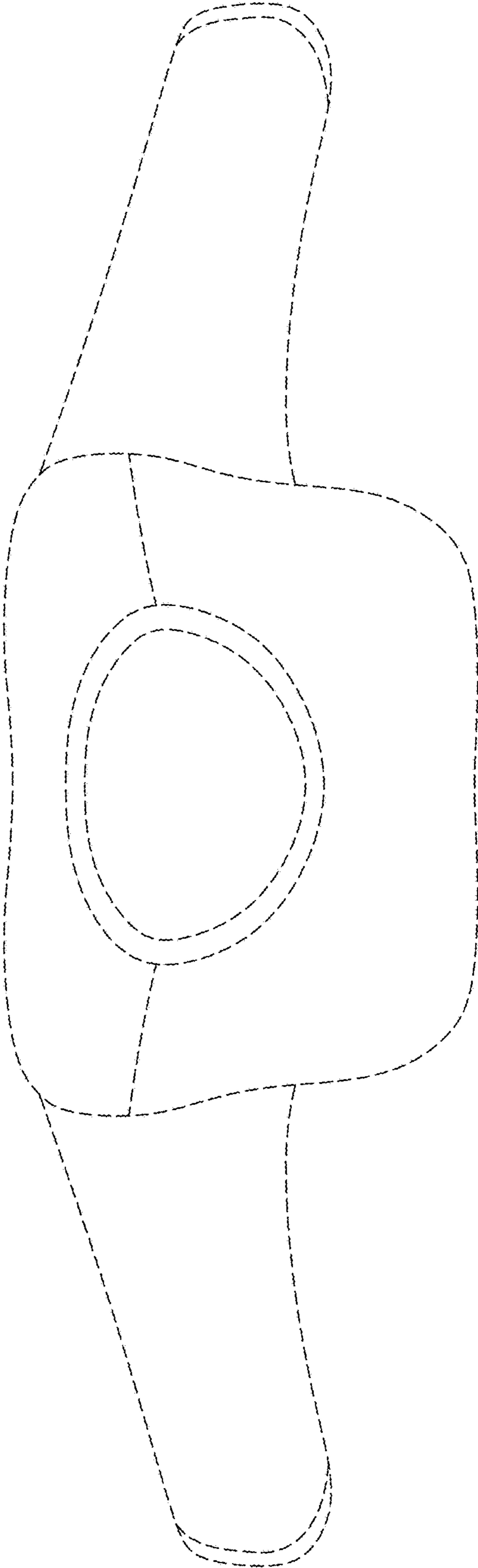


FIG. 5

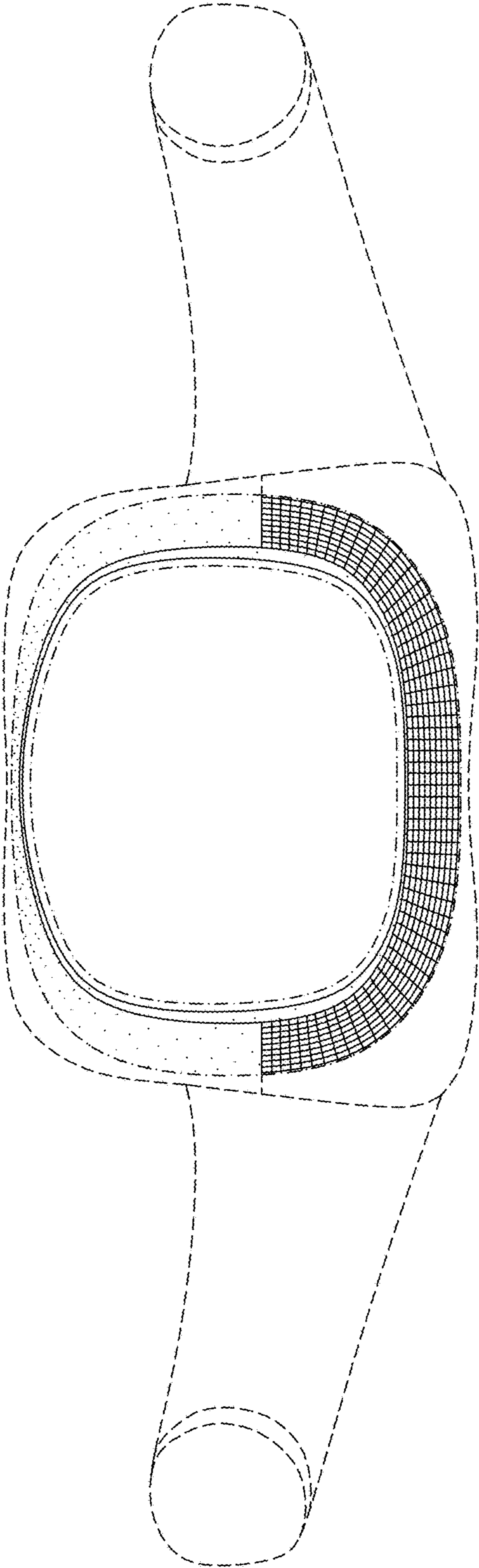


FIG. 6