



US00D815789S

(12) **United States Design Patent**  
**Wang**

(10) **Patent No.:** **US D815,789 S**  
(45) **Date of Patent:** **\*\* Apr. 17, 2018**

(54) **STORAGE CONTAINER**

(71) Applicant: **Wen-Tsan Wang**, Taipei (TW)

(72) Inventor: **Wen-Tsan Wang**, Taipei (TW)

(\*\*) Term: **15 Years**

(21) Appl. No.: **29/563,604**

(22) Filed: **May 6, 2016**

(51) **LOC (11) Cl.** ..... **09-09**

(52) **U.S. Cl.**  
USPC ..... **D34/7**

(58) **Field of Classification Search**  
USPC ..... D34/1-11; D7/628, 629, 630, 601, 602,  
D7/538-542, 612-615; D9/424-432;  
D3/201  
CPC .... B65F 1/163; B65F 1/08; B65F 1/06; B65F  
1/1607; B65F 1/1615  
See application file for complete search history.

(56) **References Cited**

**U.S. PATENT DOCUMENTS**

D323,227 S *	1/1992	Rapaz	.....	D34/10
D343,038 S *	1/1994	Gammons	.....	D34/10
D457,703 S *	5/2002	Tolar	.....	D34/1
D460,594 S *	7/2002	Weiss	.....	D34/1
D472,357 S *	3/2003	Stewart	.....	D34/6
D527,155 S *	8/2006	Fankhauser	.....	D34/7
D536,148 S *	1/2007	Schiefer	.....	D34/1
D547,019 S *	7/2007	Weiss	.....	D34/7
D554,321 S *	10/2007	Haas	.....	D34/7
D556,411 S *	11/2007	Weiss	.....	D34/1
D639,006 S *	5/2011	Yang	.....	D34/1
D712,110 S *	8/2014	Deen	.....	D34/1
D763,044 S *	8/2016	Ruotsalainen	.....	D7/629
D772,516 S *	11/2016	Burt	.....	D11/144
2006/0283852 A1 *	12/2006	Greiner	.....	B65F 1/068 220/4.22
2012/0234849 A1 *	9/2012	Hughes	.....	B65F 7/00 220/810

**OTHER PUBLICATIONS**

www.telegreen.co.uk, round recycling bin, Internet search Aug. 14, 2017.\*

\* cited by examiner

*Primary Examiner* — Cynthia Ramirez

(74) *Attorney, Agent, or Firm* — Leong C. Lei

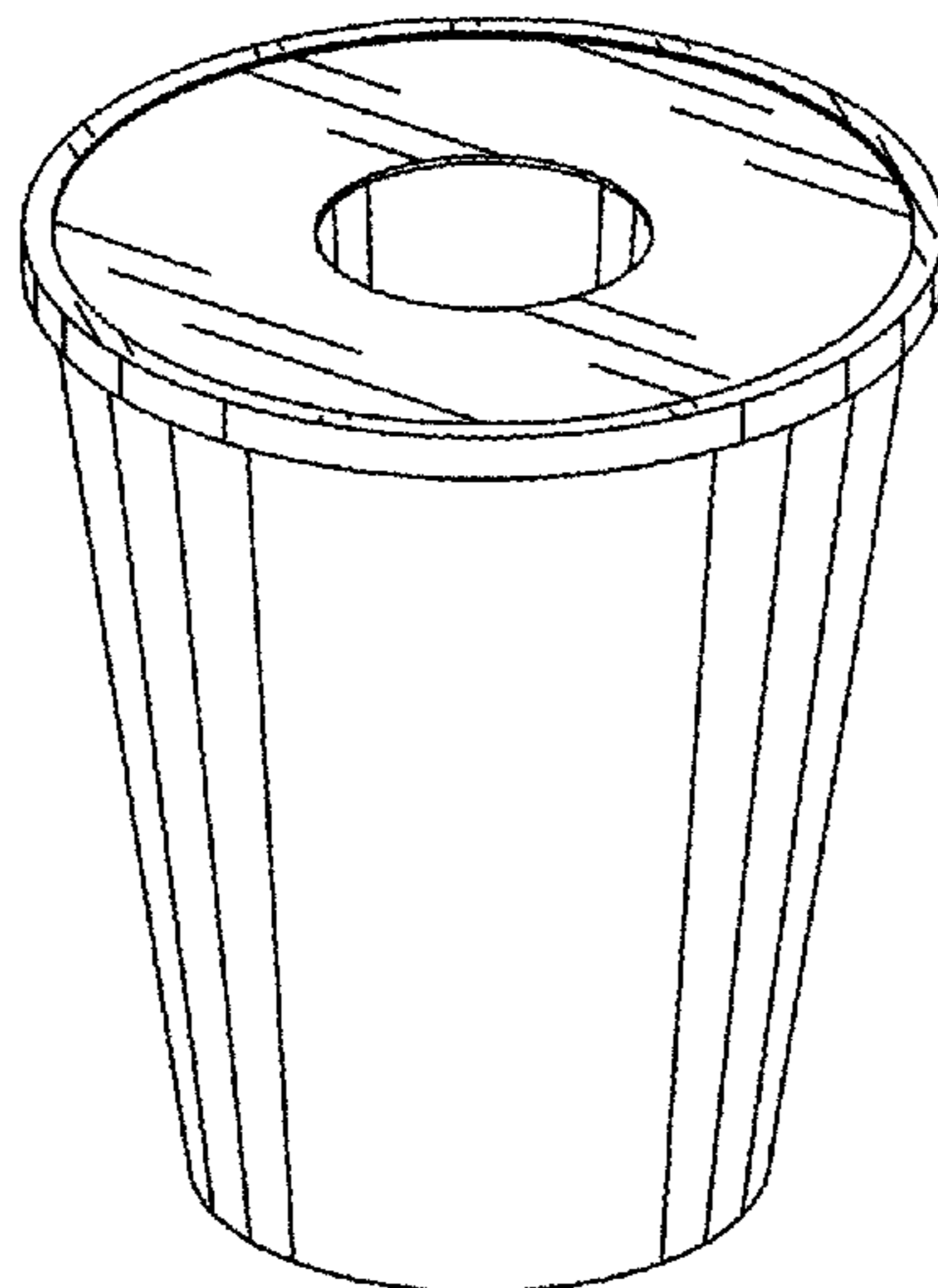
(57) **CLAIM**

The ornamental design for a storage container, as shown and described.

**DESCRIPTION**

FIG. 1 is a perspective view of a storage container showing my new design;  
FIG. 2 is a front elevational view thereof;  
FIG. 3 is a rear elevational view thereof;  
FIG. 4 is a left side perspective view thereof;  
FIG. 5 is a right side perspective view thereof;  
FIG. 6 is a top plan view thereof;  
FIG. 7 is a bottom plan view thereof;  
FIG. 8 is another perspective view thereof, showing the container in use;  
FIG. 9 is another perspective view thereof, with the container lid opened; and,  
FIG. 10 is another perspective view thereof, showing the container lid opened and the container in use.  
The broken lines showing in a hand, a bottle and a bucket in FIGS. 8, 9, 10 are for the purpose of illustrating environment and form no part of the claimed design. The broken lines shown in the interior in FIGS. 9 and 10 are shown portions of the container and form no part of the claimed design.

**1 Claim, 7 Drawing Sheets**



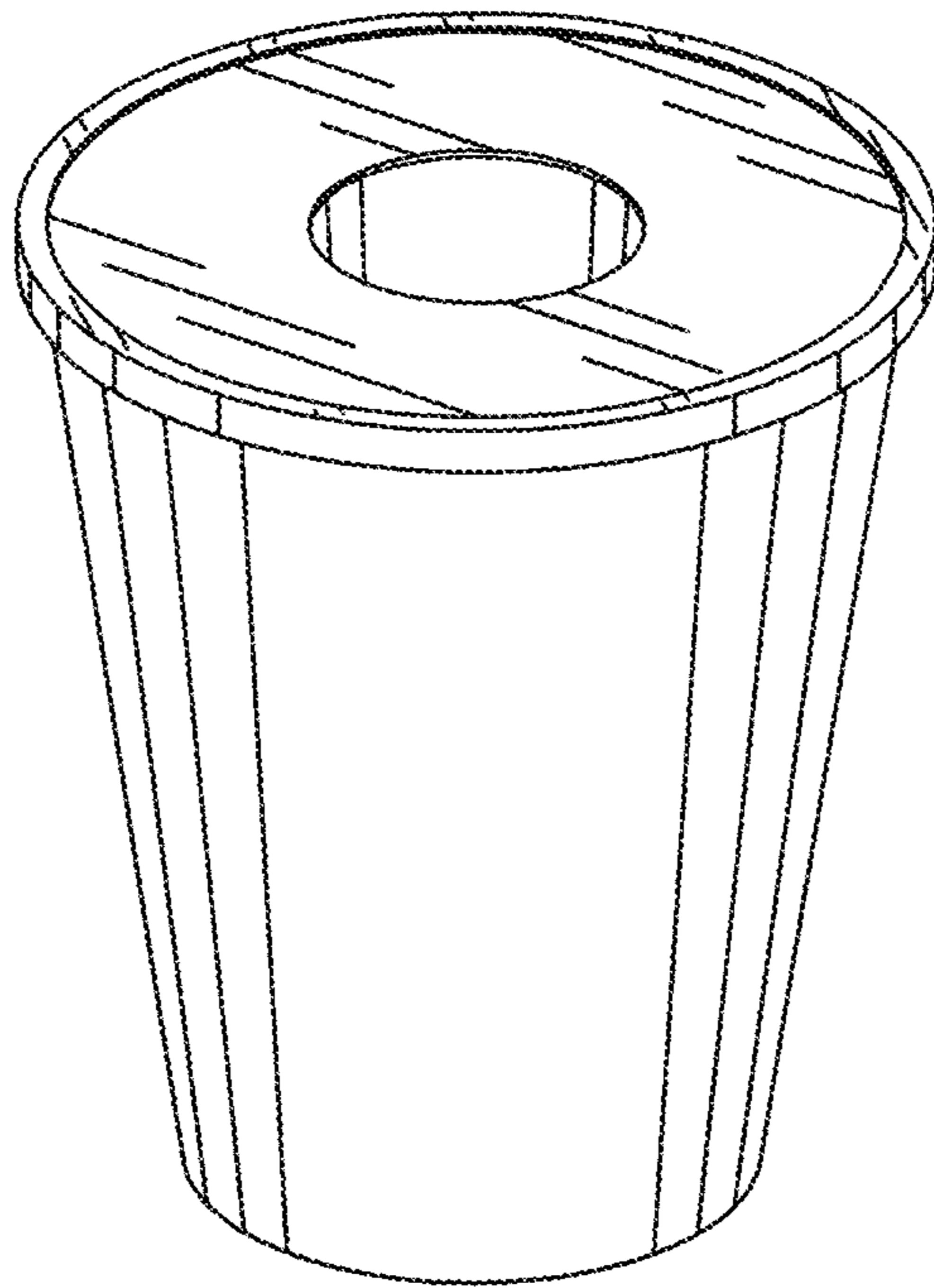


FIG. 1

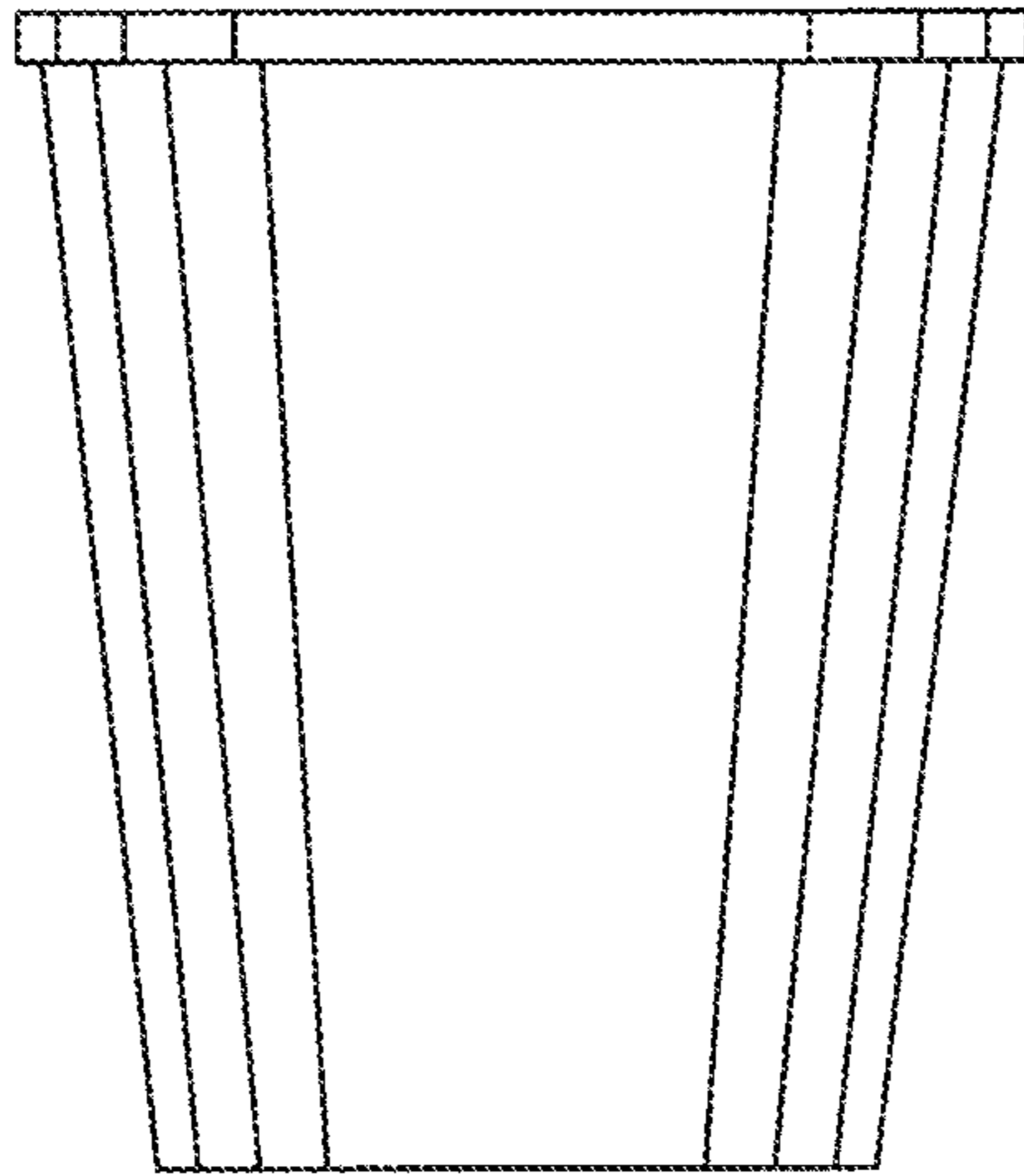


FIG. 2

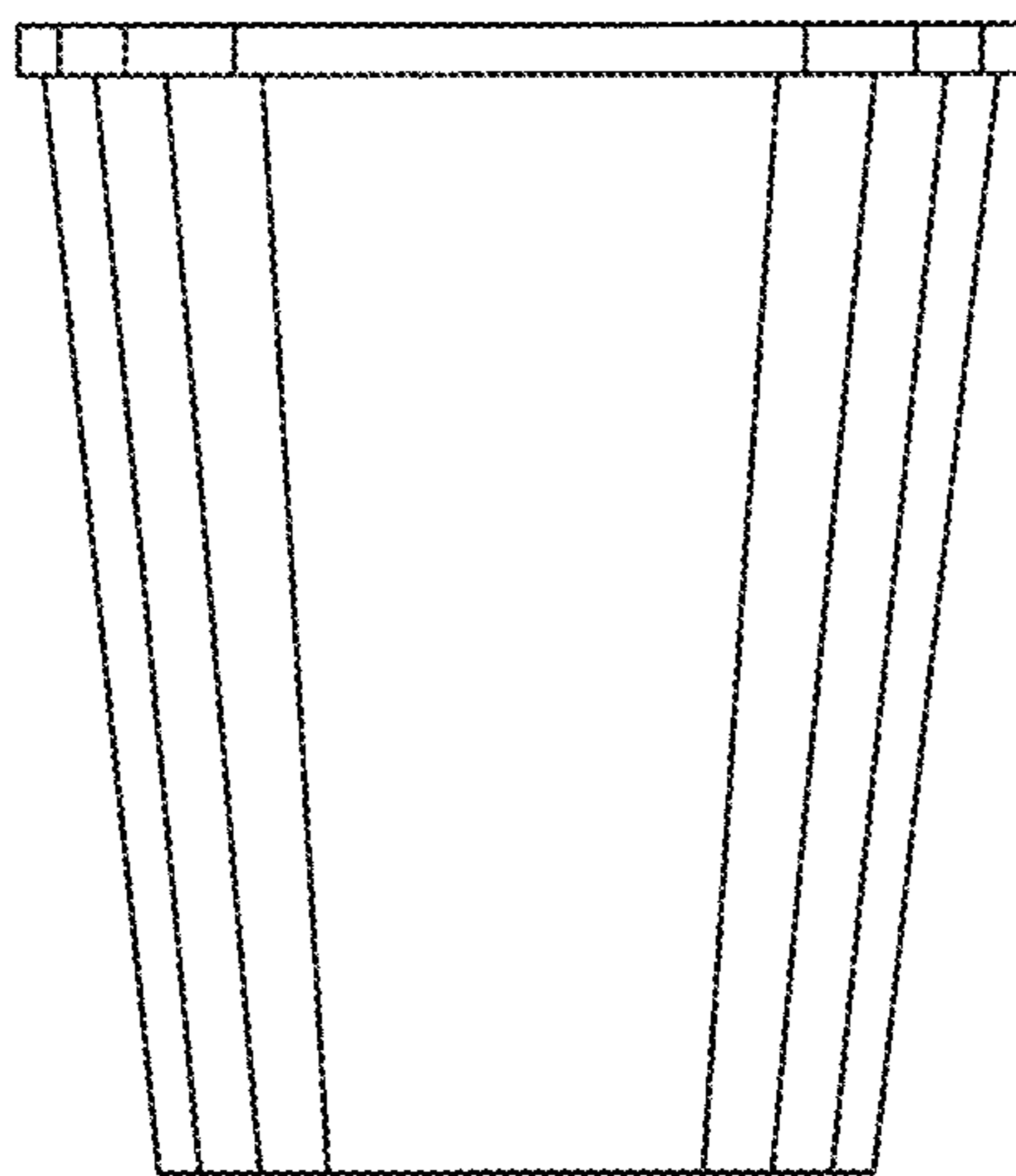


FIG. 3

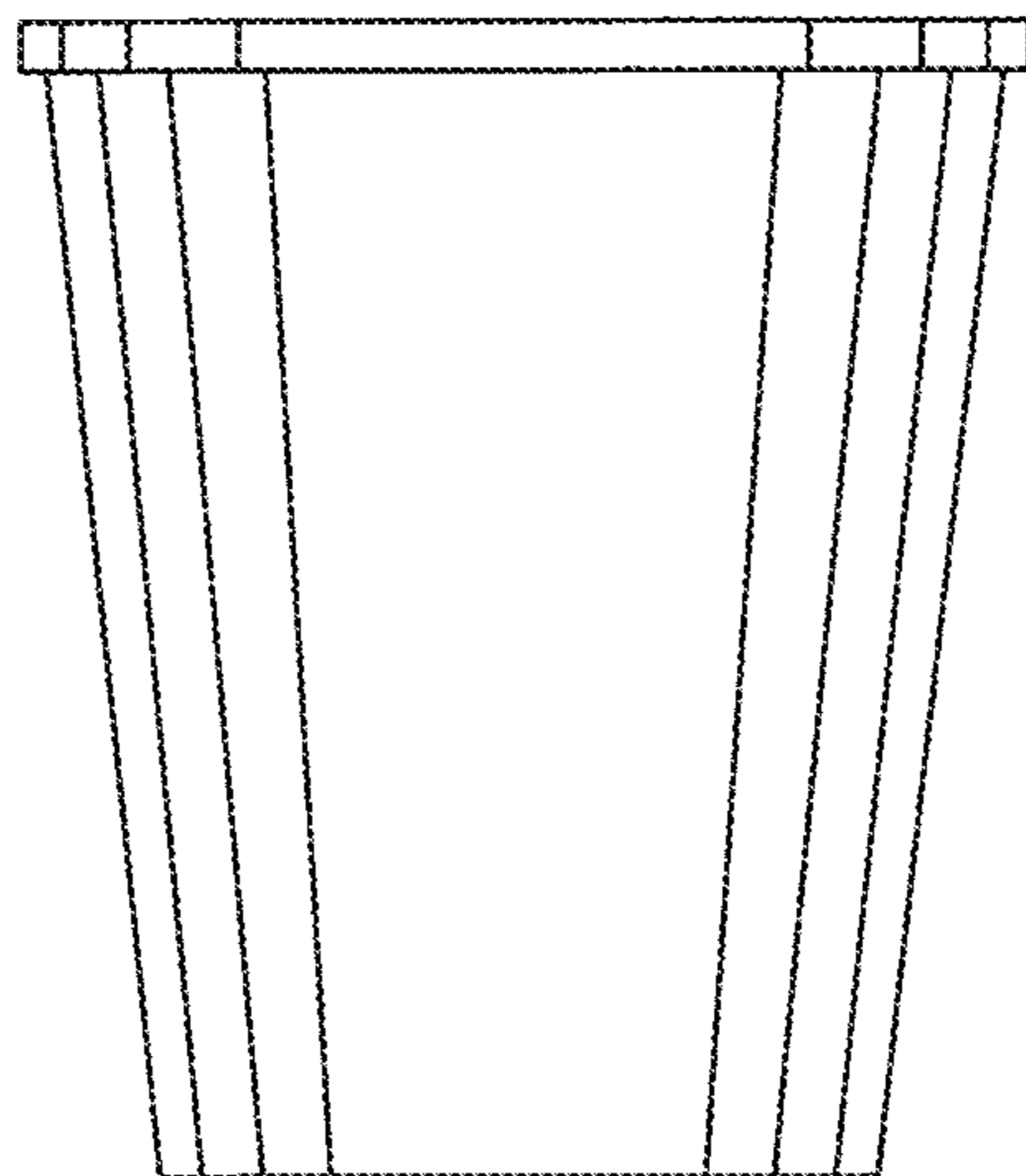


FIG. 4

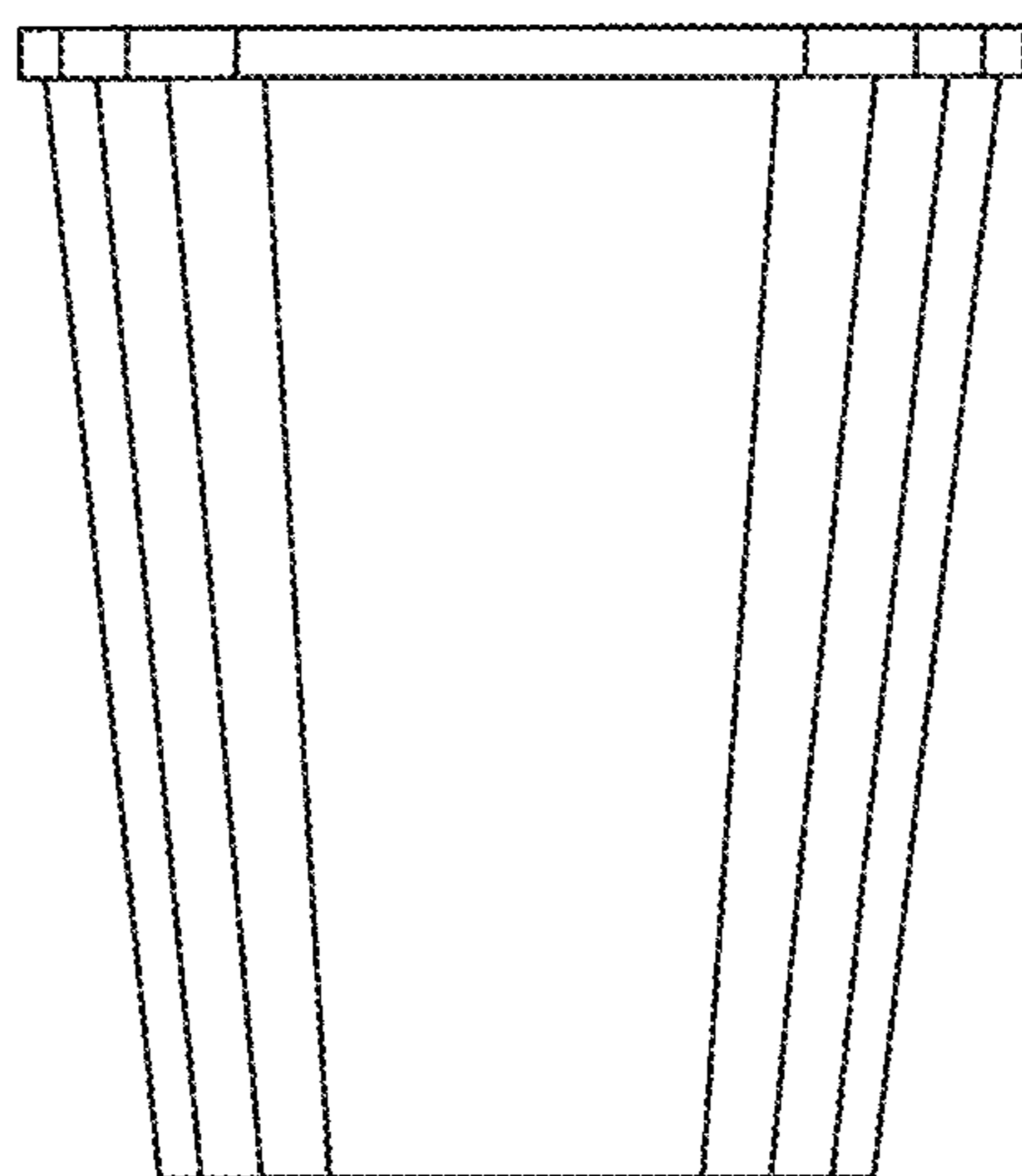


FIG. 5

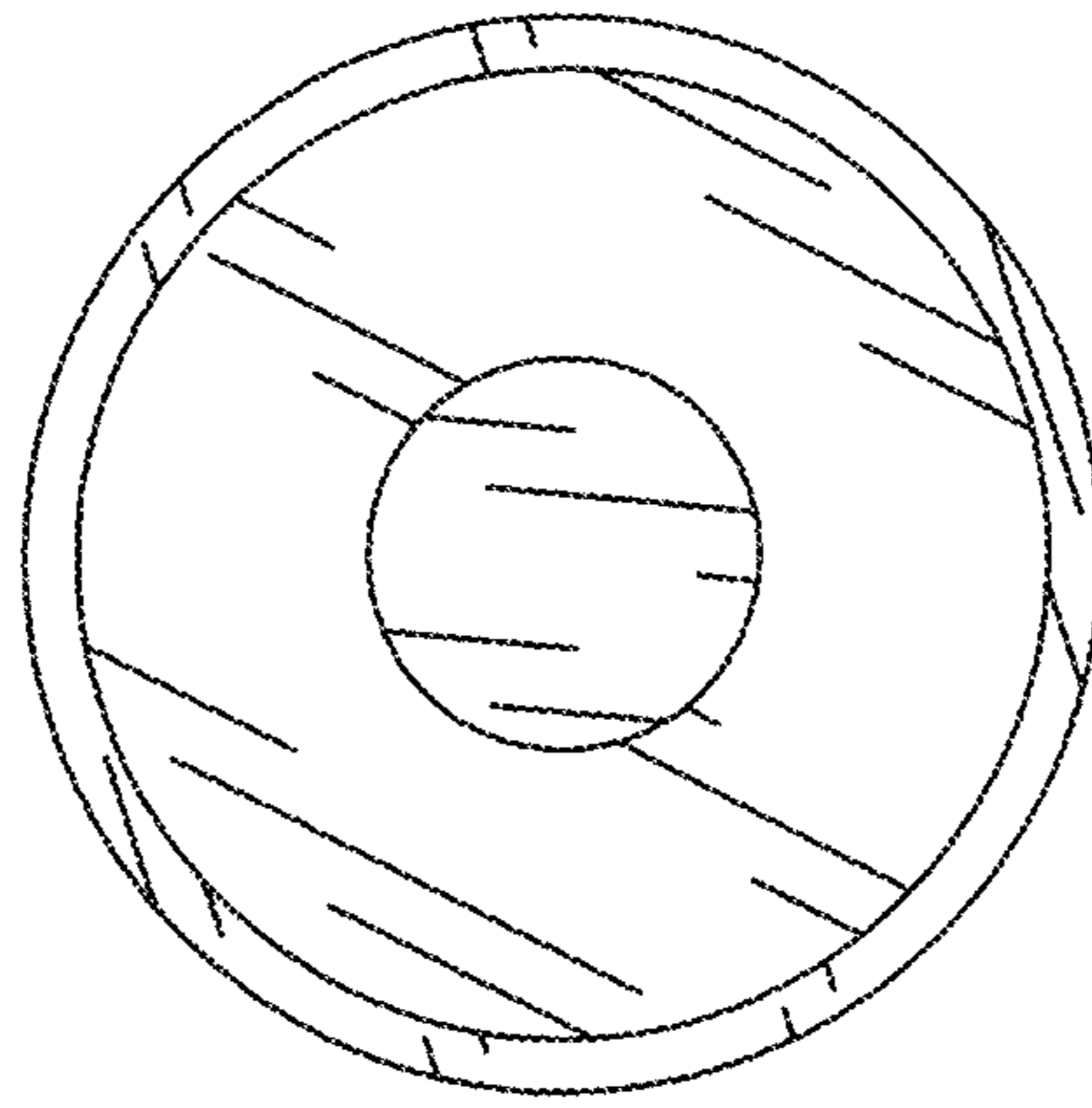


FIG. 6

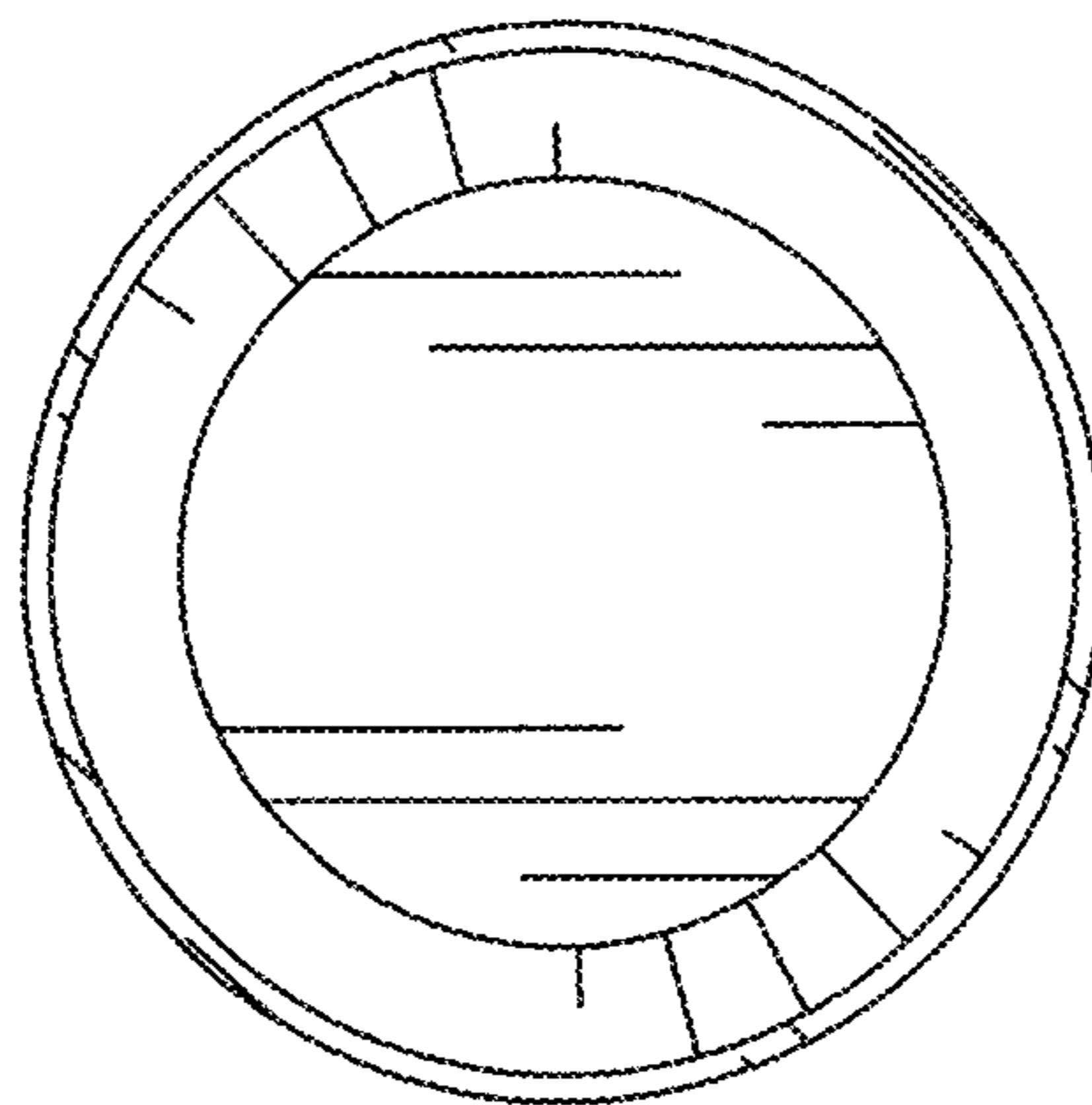


FIG. 7

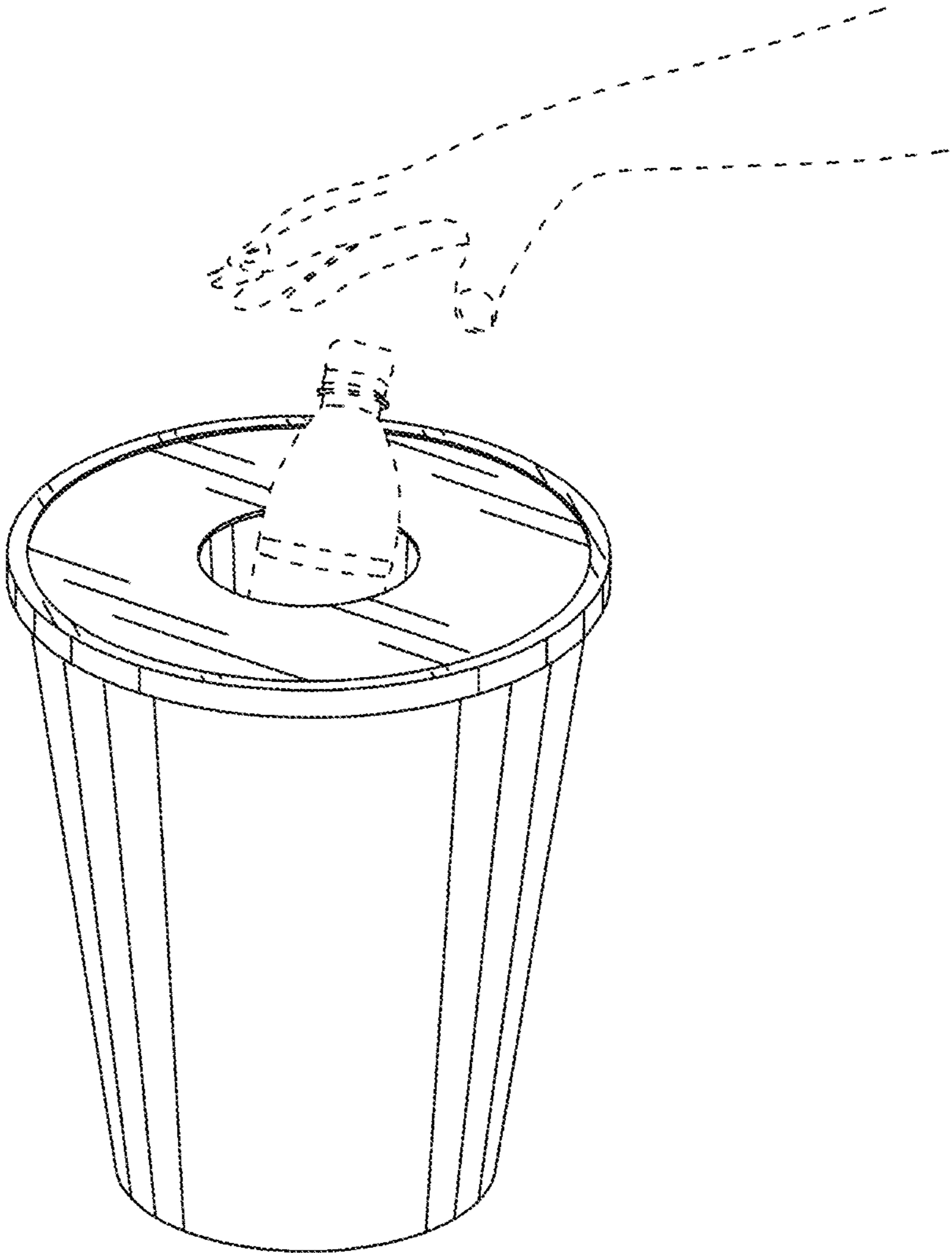


FIG. 8

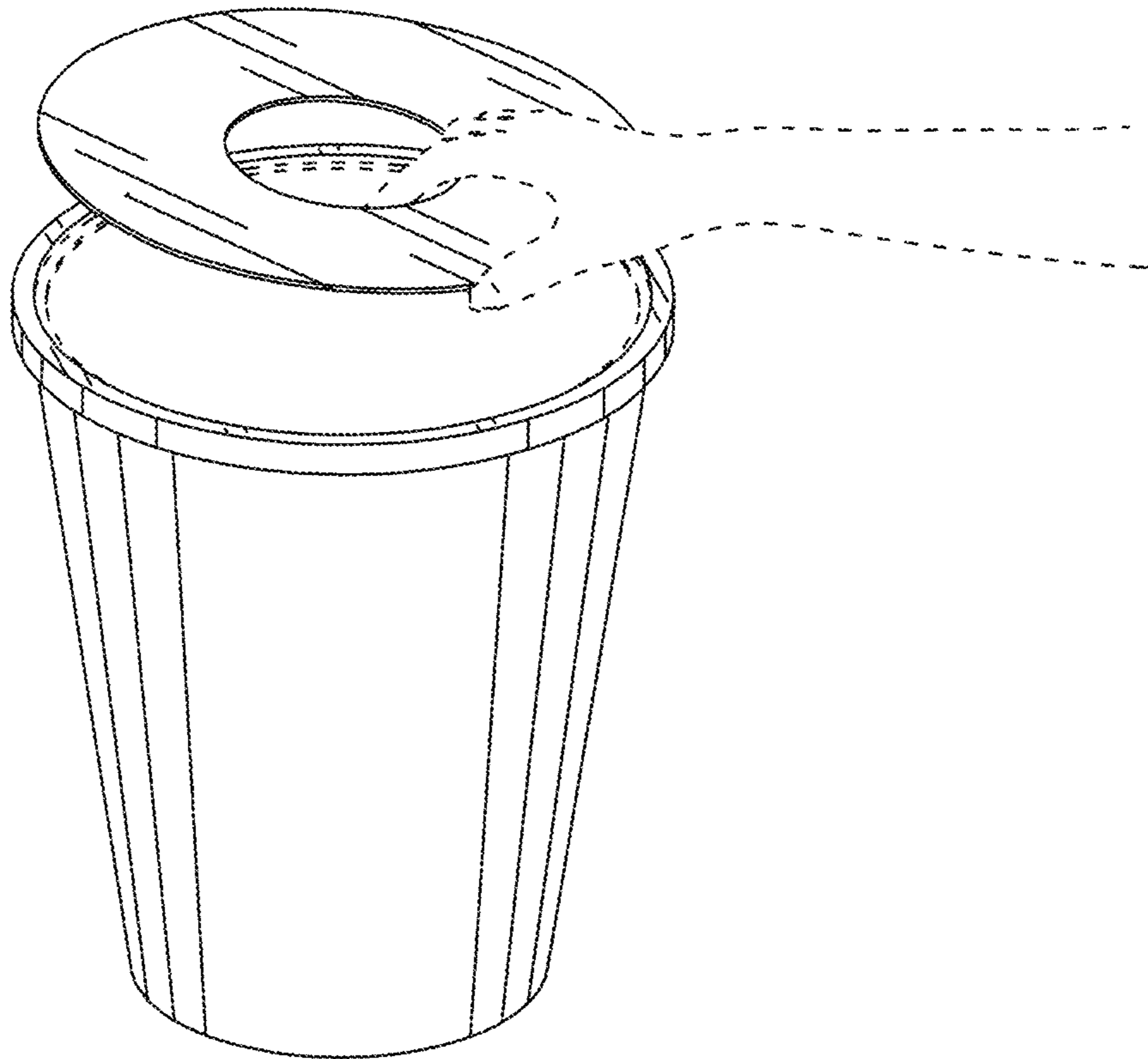


FIG. 9



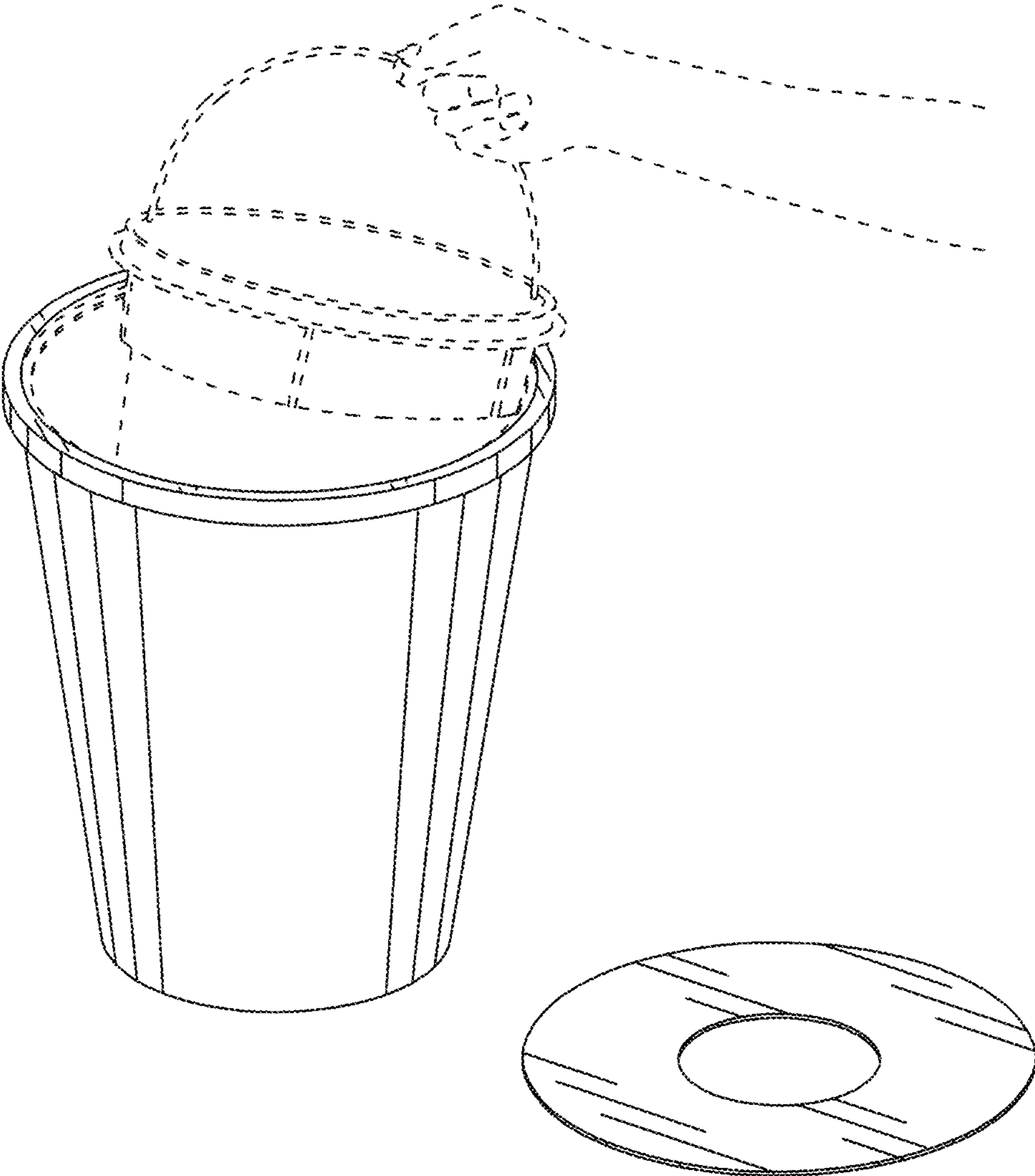


FIG. 10