



US00D815785S

(12) **United States Design Patent** (10) **Patent No.:** **US D815,785 S**  
**Reaux** (45) **Date of Patent:** **\*\* Apr. 17, 2018**

(54) **SPONGE HOLDER WITH ROUNDED HANDLE**  
(71) Applicant: **Brian K. Reaux**, Red Oak, TX (US)  
(72) Inventor: **Brian K. Reaux**, Red Oak, TX (US)  
(73) Assignee: **Brian K. Reaux**, Red Oak, TX (US)  
(\*\*) Term: **15 Years**  
(21) Appl. No.: **29/620,129**  
(22) Filed: **Jul. 13, 2016**  
(51) **LOC (11) Cl.** ..... **15-05**  
(52) **U.S. Cl.**  
USPC ..... **D32/52**  
(58) **Field of Classification Search**  
USPC ..... D32/40-45, 50-52; D4/116, 119, 124;  
D28/63; D9/719, 723-725  
CPC .. A46D 3/00; A61F 2/44; A61F 15/00; A47K  
7/02; A47K 7/028; A46B 11/00; A61B  
90/80; A47L 13/257; A47L 13/12; B01J  
23/74  
See application file for complete search history.

(56) **References Cited**  
U.S. PATENT DOCUMENTS  
D295,911 S \* 5/1988 Zogg ..... D32/40  
D332,734 S \* 1/1993 Fushiya ..... D32/19  
D332,841 S \* 1/1993 Levison ..... D28/63  
D351,696 S \* 10/1994 Adolf ..... D28/63  
D356,408 S \* 3/1995 Adolf ..... D28/63  
5,873,494 A \* 2/1999 Dallas, Jr. .... B65D 47/2006  
222/129  
D437,095 S \* 1/2001 Osiecki ..... D32/40  
6,233,771 B1 \* 5/2001 Hortel ..... A46B 5/02  
15/143.1  
D446,898 S \* 8/2001 Brewer ..... D32/45

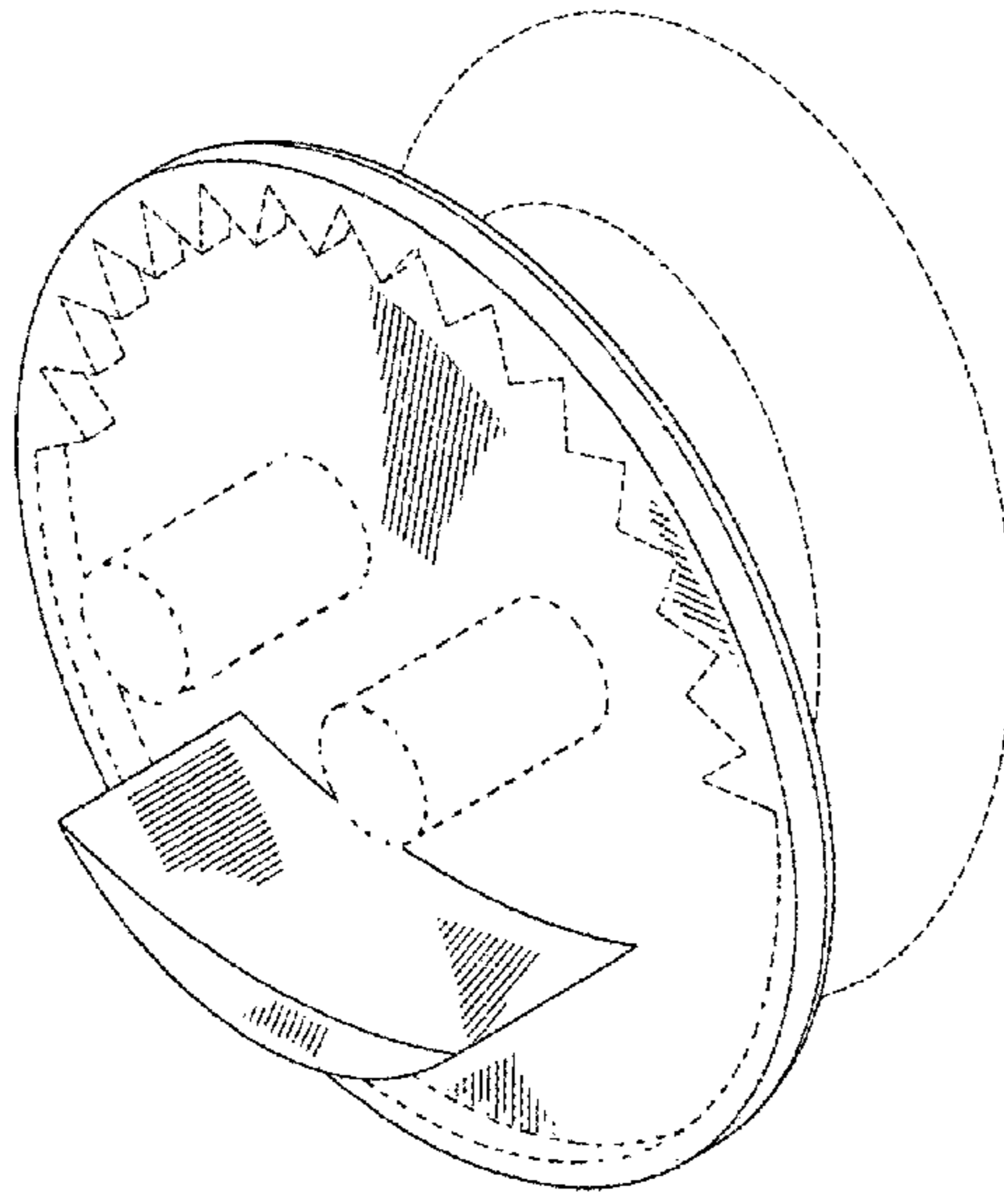
6,925,675 B1 \* 8/2005 Truneczek ..... A47L 1/16  
15/236.01  
D512,567 S \* 12/2005 Eckhardt ..... D32/52  
D515,821 S \* 2/2006 Gartner ..... D32/52  
D522,202 S \* 5/2006 Huang ..... D32/52  
D554,315 S \* 10/2007 Schouten ..... D32/52  
D571,515 S \* 6/2008 Krause ..... D32/40  
D627,531 S \* 11/2010 Benson ..... D32/35  
D690,892 S \* 10/2013 Krause ..... D32/40  
D726,384 S \* 4/2015 Jenden ..... D32/52  
D752,873 S \* 4/2016 Deluca ..... D4/116  
D776,890 S \* 1/2017 Reaux ..... D32/40  
2014/0075699 A1 \* 3/2014 Krause ..... A47K 7/02  
15/209.1

\* cited by examiner  
*Primary Examiner* — Michael A. Pratt  
*Assistant Examiner* — Michelle E Wilson

(57) **CLAIM**  
The ornamental design for a sponge holder with rounded handle, as shown and described.

**DESCRIPTION**  
FIG. 1 is a perspective view of a sponge holder with rounded handle, showing my new design;  
FIG. 2 is a front view thereof;  
FIG. 3 is a top plan view thereof;  
FIG. 4 is a left side elevation view thereof;  
FIG. 5 is a right side elevation view thereof;  
FIG. 6 is a top plan view thereof;  
FIG. 7 is a bottom plan view thereof; and,  
FIG. 8 is another perspective view of the hand held handle shown in use.  
The broken line showing of the sponge is included for the purpose of illustrating environment and forms no part of the claimed design.

**1 Claim, 6 Drawing Sheets**



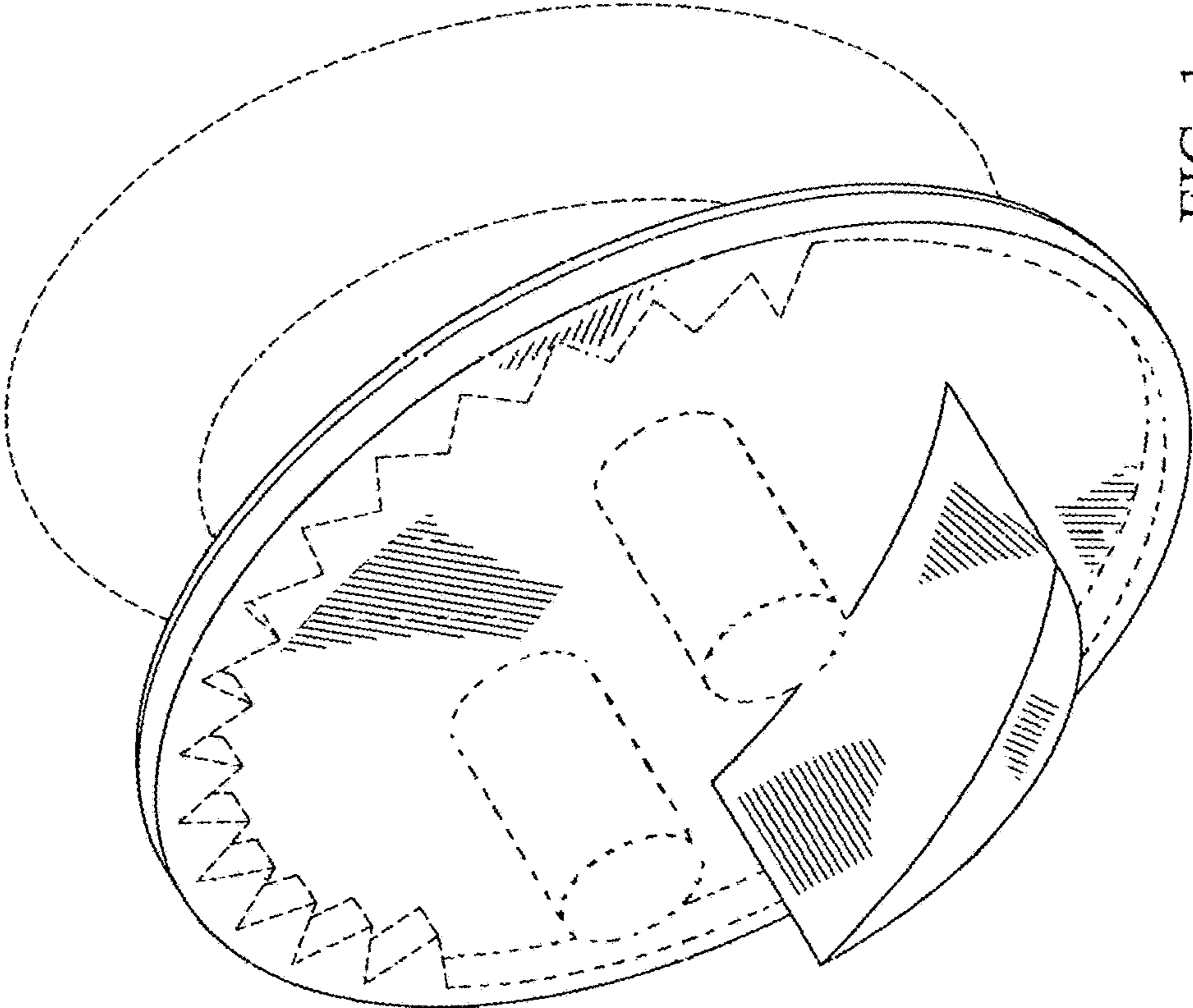


FIG. 1

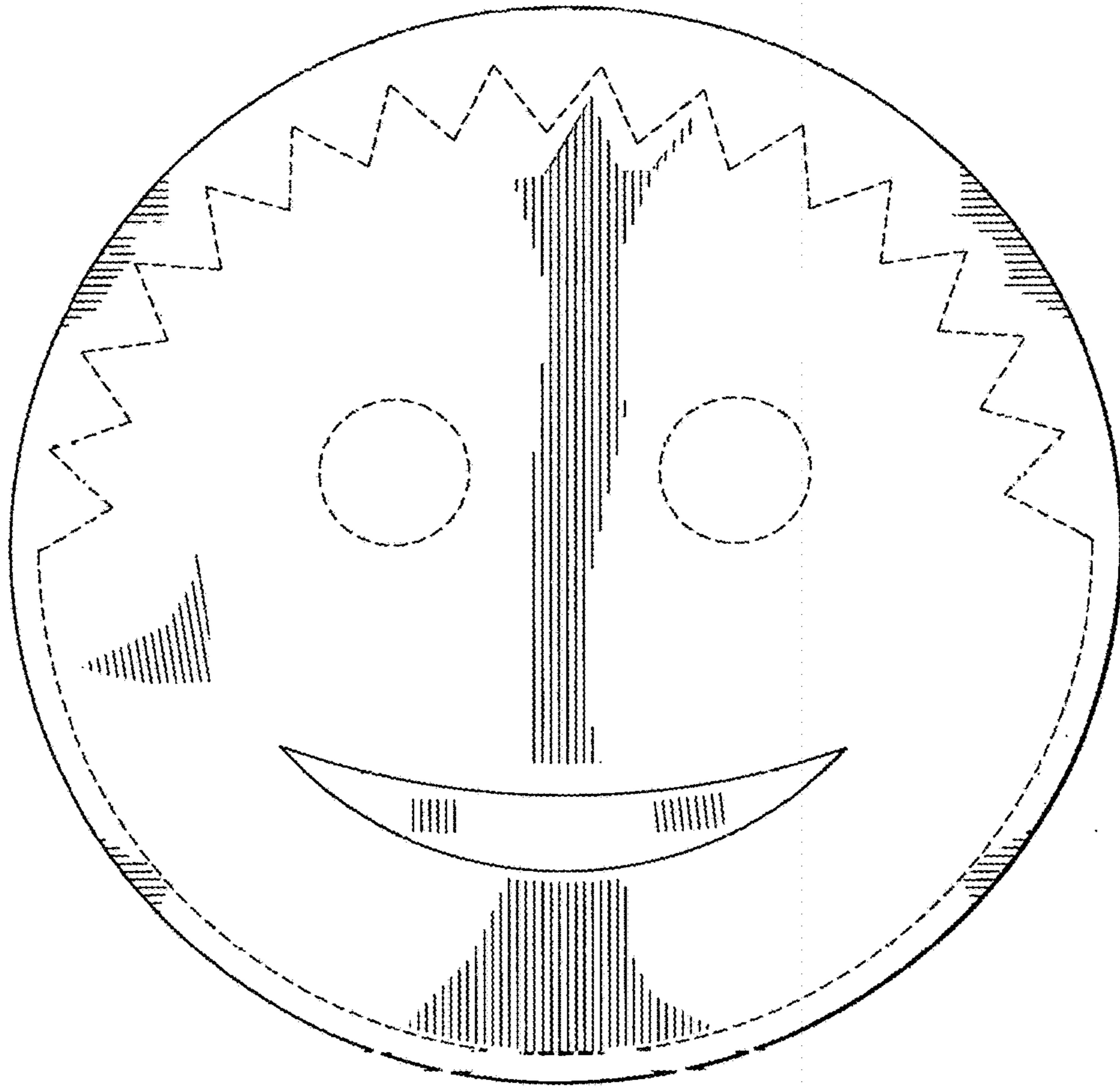


FIG. 2

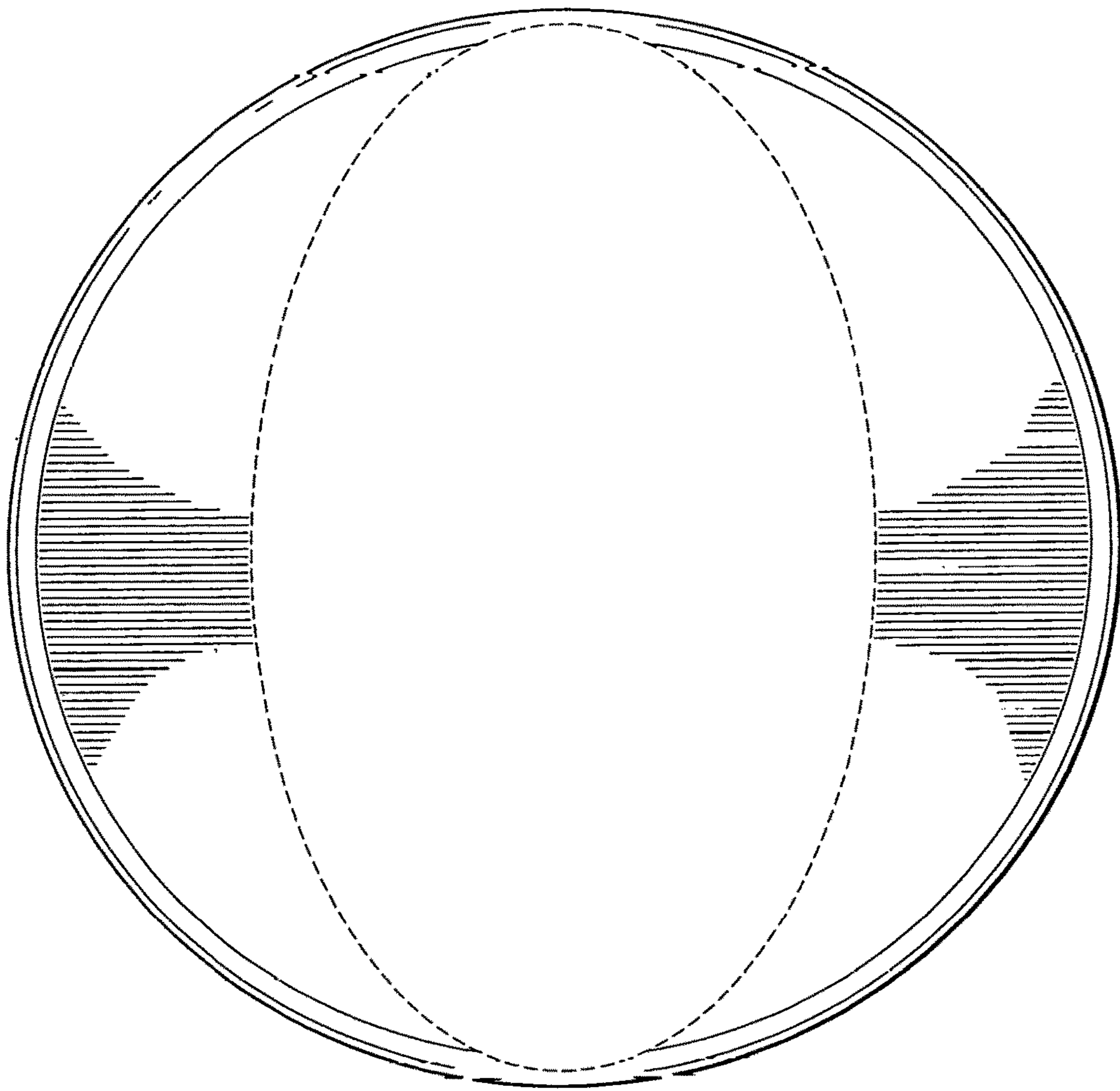


FIG. 3

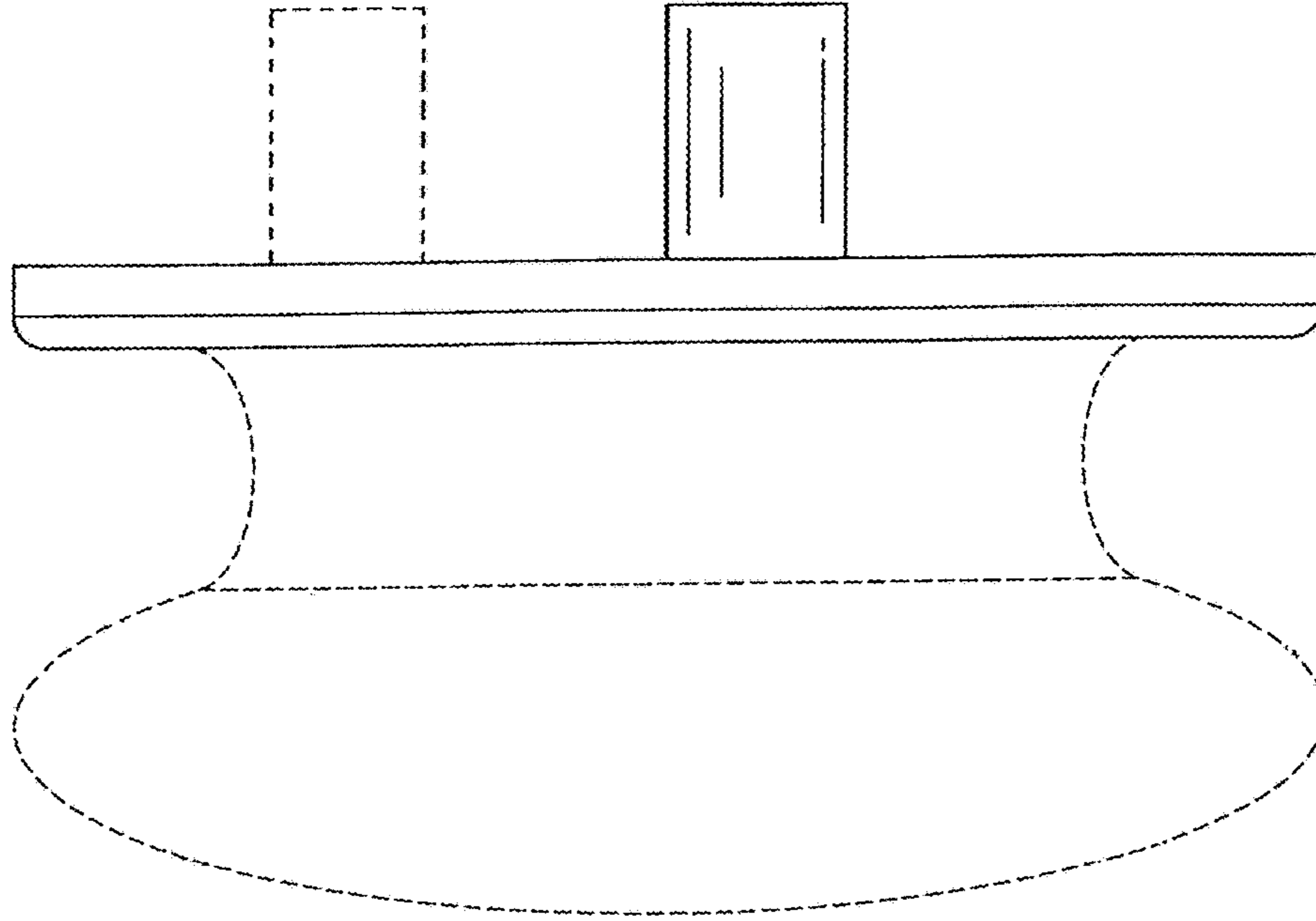


FIG. 5

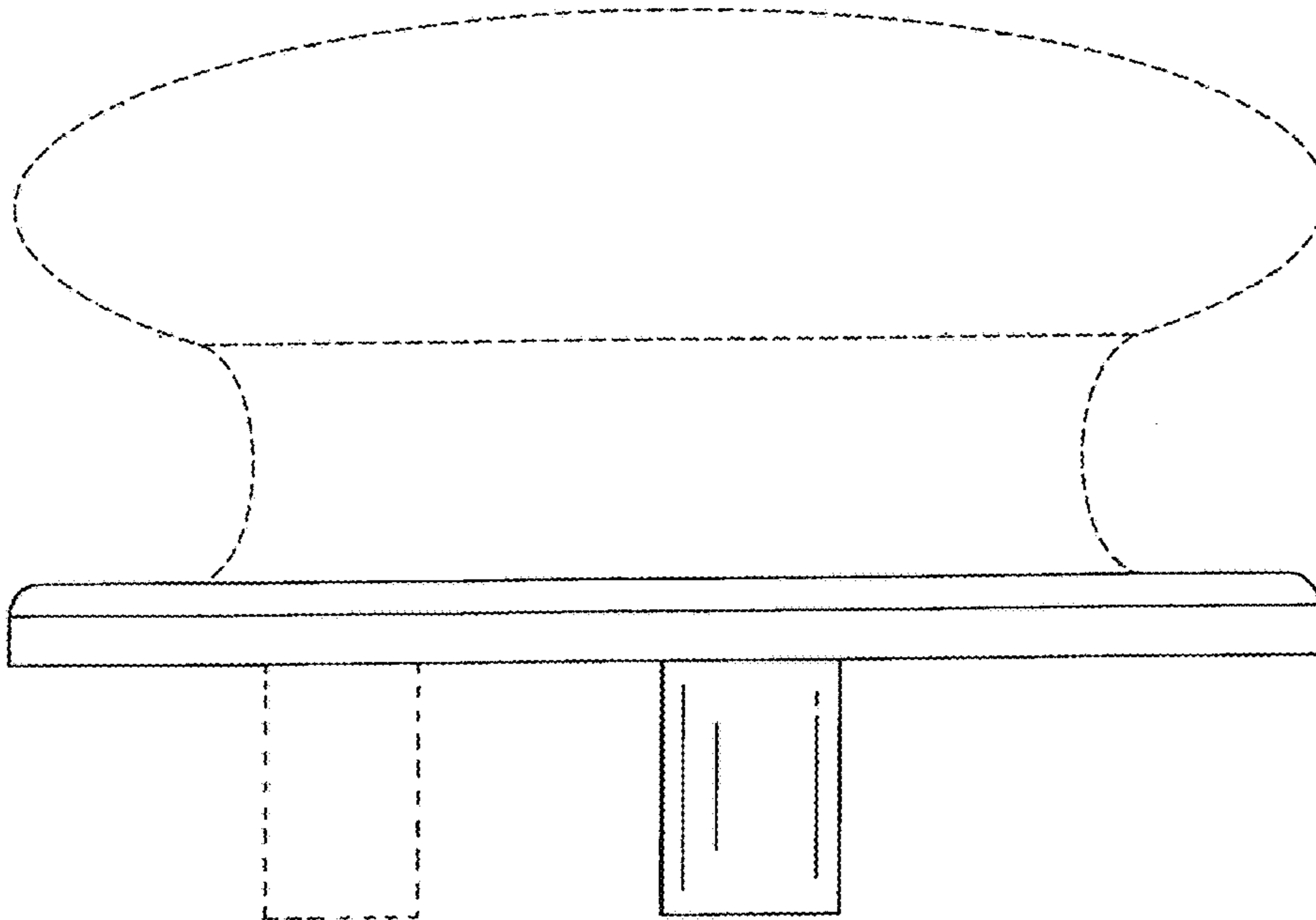


FIG. 4

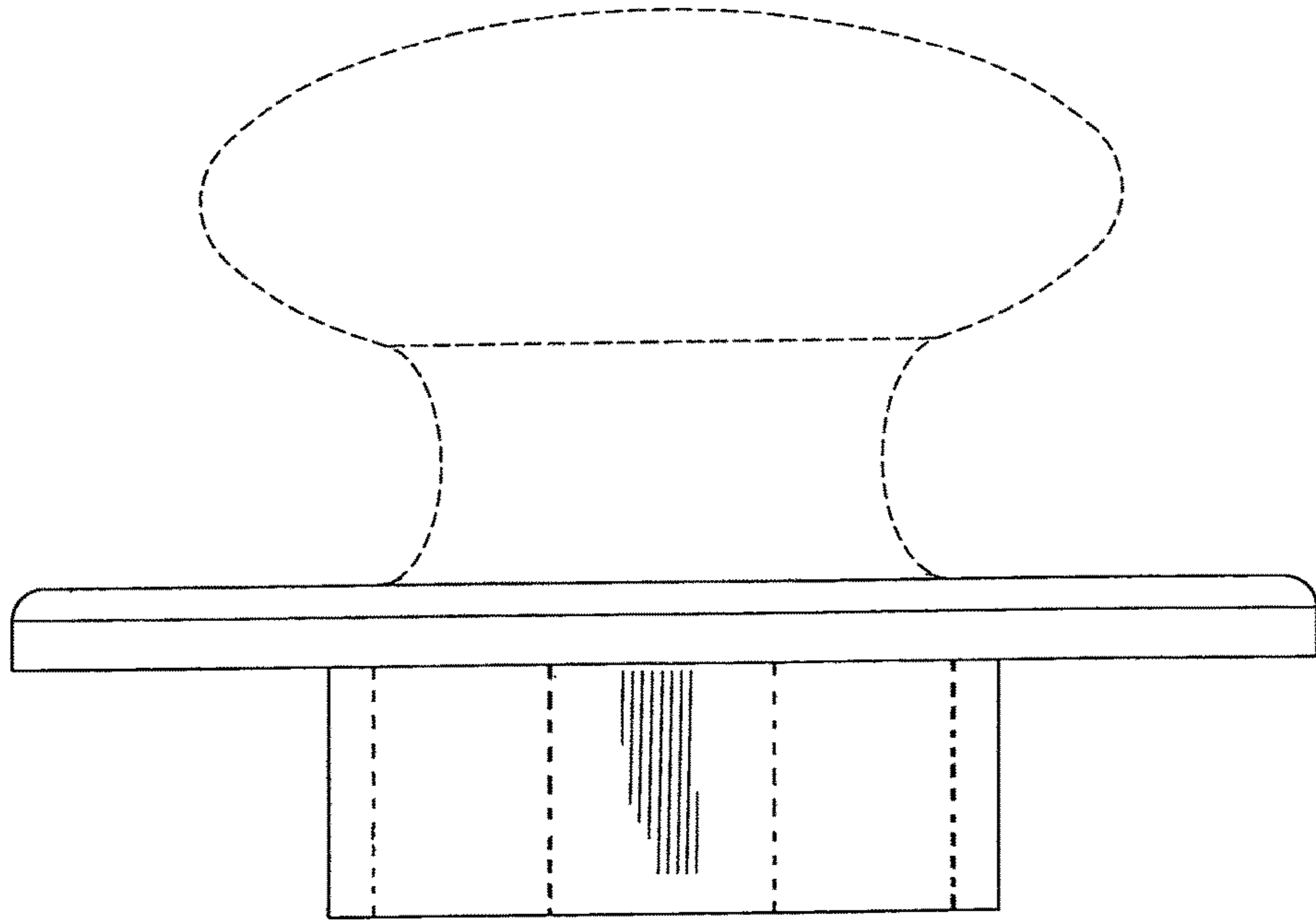


FIG. 6

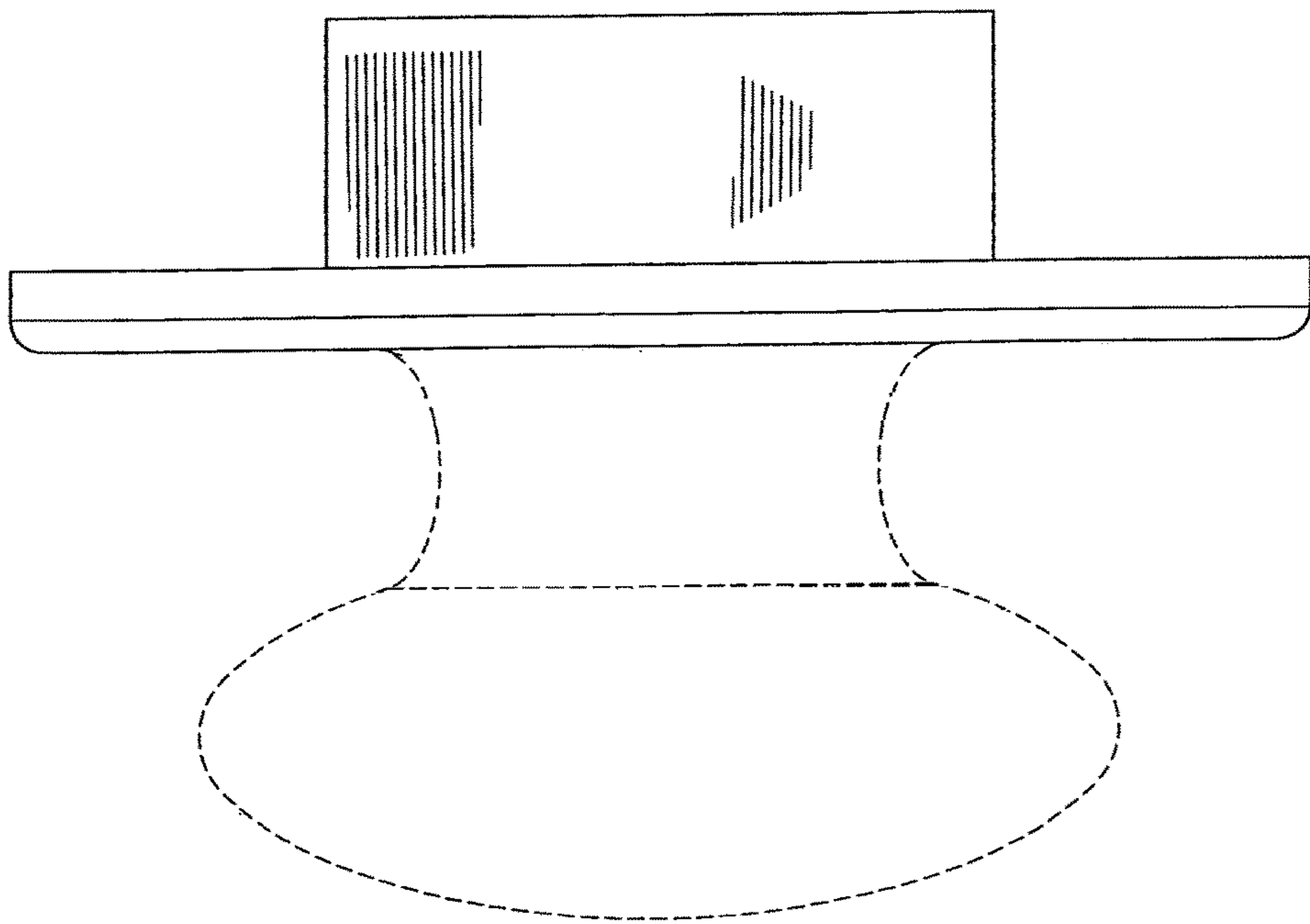


FIG. 7

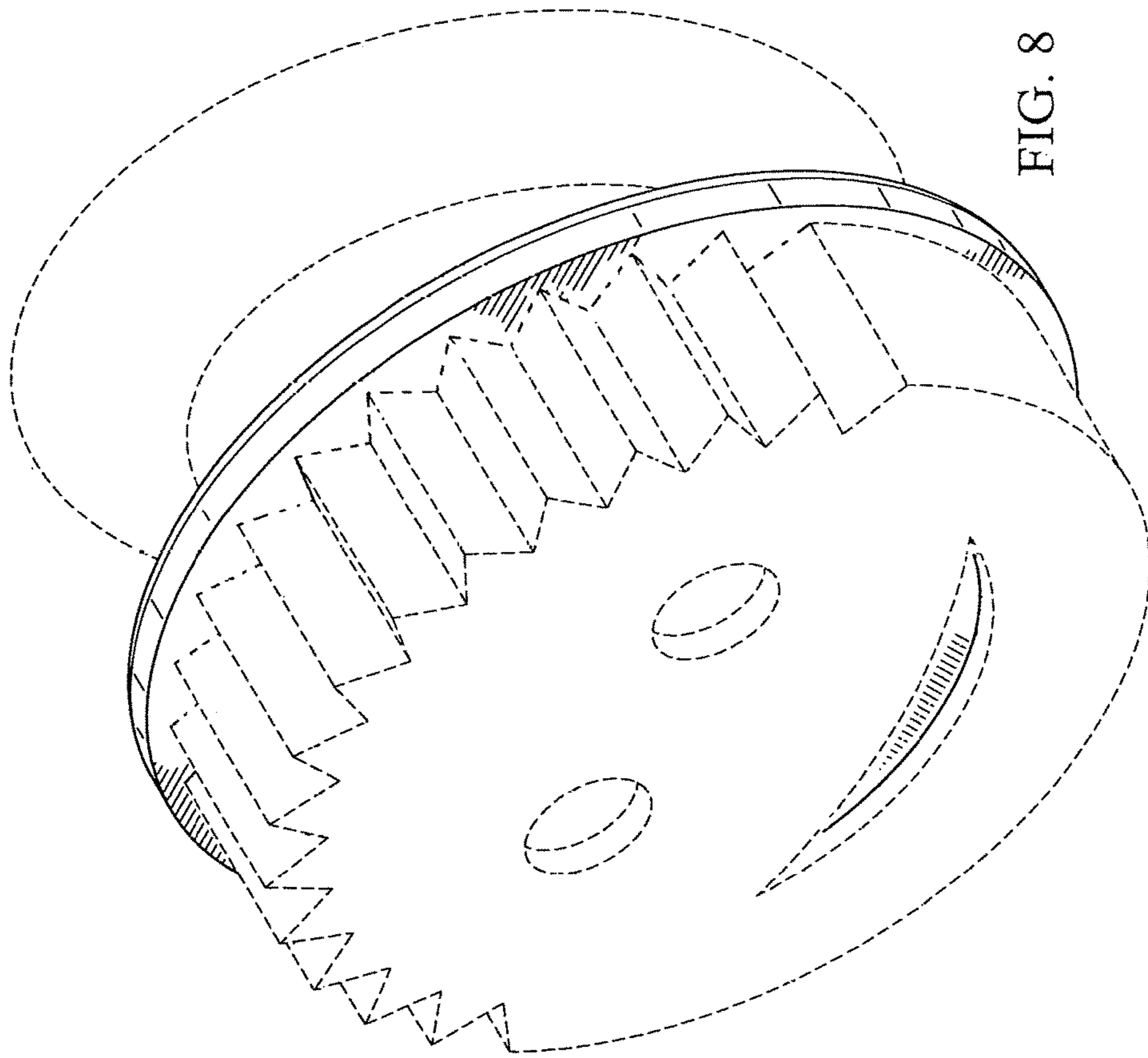


FIG. 8