



US00D815784S

(12) **United States Design Patent**
West

(10) **Patent No.:** **US D815,784 S**
(45) **Date of Patent:** **** Apr. 17, 2018**

(54) **HYDRAULIC GUTTER CLEANING TOOL**

(71) Applicant: **Paul West**, Stuart, FL (US)

(72) Inventor: **Paul West**, Stuart, FL (US)

(**) Term: **15 Years**

(21) Appl. No.: **29/545,540**

(22) Filed: **Nov. 13, 2015**

(51) **LOC (11) Cl.** **07-05**

(52) **U.S. Cl.**
USPC **D32/49**

(58) **Field of Classification Search**
USPC D32/14, 35, 42, 41, 49-52; D4/115, 130,
D4/132; D8/14, 45
CPC E04D 13/0765; A46B 13/02; B05B 15/06
See application file for complete search history.

(56) **References Cited**

U.S. PATENT DOCUMENTS

3,858,267	A *	1/1975	Swannie	E04D 13/0765
					15/144.1
D267,357	S *	12/1982	Hillstrom	294/176
4,640,540	A *	2/1987	Chisholm	E04D 13/0765
					15/236.04
4,848,818	A *	7/1989	Smith	E04D 13/0765
					15/236.04
D310,590	S *	9/1990	Williams, Jr.	D32/49
4,958,397	A *	9/1990	Ryan	A46B 13/02
					15/23
D335,558	S *	5/1993	Boothe	D32/49
5,390,853	A *	2/1995	Ellul	B05B 15/06
					239/282
D374,319	S *	10/1996	Schildgen	D32/35
D392,781	S *	3/1998	McKnight	401/137
5,855,402	A *	1/1999	Maraschiello	E04D 13/0765
					15/236.04
D443,961	S *	6/2001	McKnight	D32/35

6,428,067	B1 *	8/2002	Barragan	E04D 13/0765
					15/236.04
6,497,317	B1 *	12/2002	Chun	E04D 13/0765
					193/25 R
6,945,577	B1 *	9/2005	Scott	E04D 13/0765
					15/236.04
D620,659	S *	7/2010	Christie	D32/46
2003/0051305	A1 *	3/2003	Hewlett	E04D 13/0765
					15/236.04
2004/0000020	A1 *	1/2004	Li	E04D 13/0765
					15/236.04

* cited by examiner

Primary Examiner — Michael A. Pratt
Assistant Examiner — Michelle E Wilson
(74) *Attorney, Agent, or Firm* — RG Patent Consulting, LLC; Rachel Gilboy

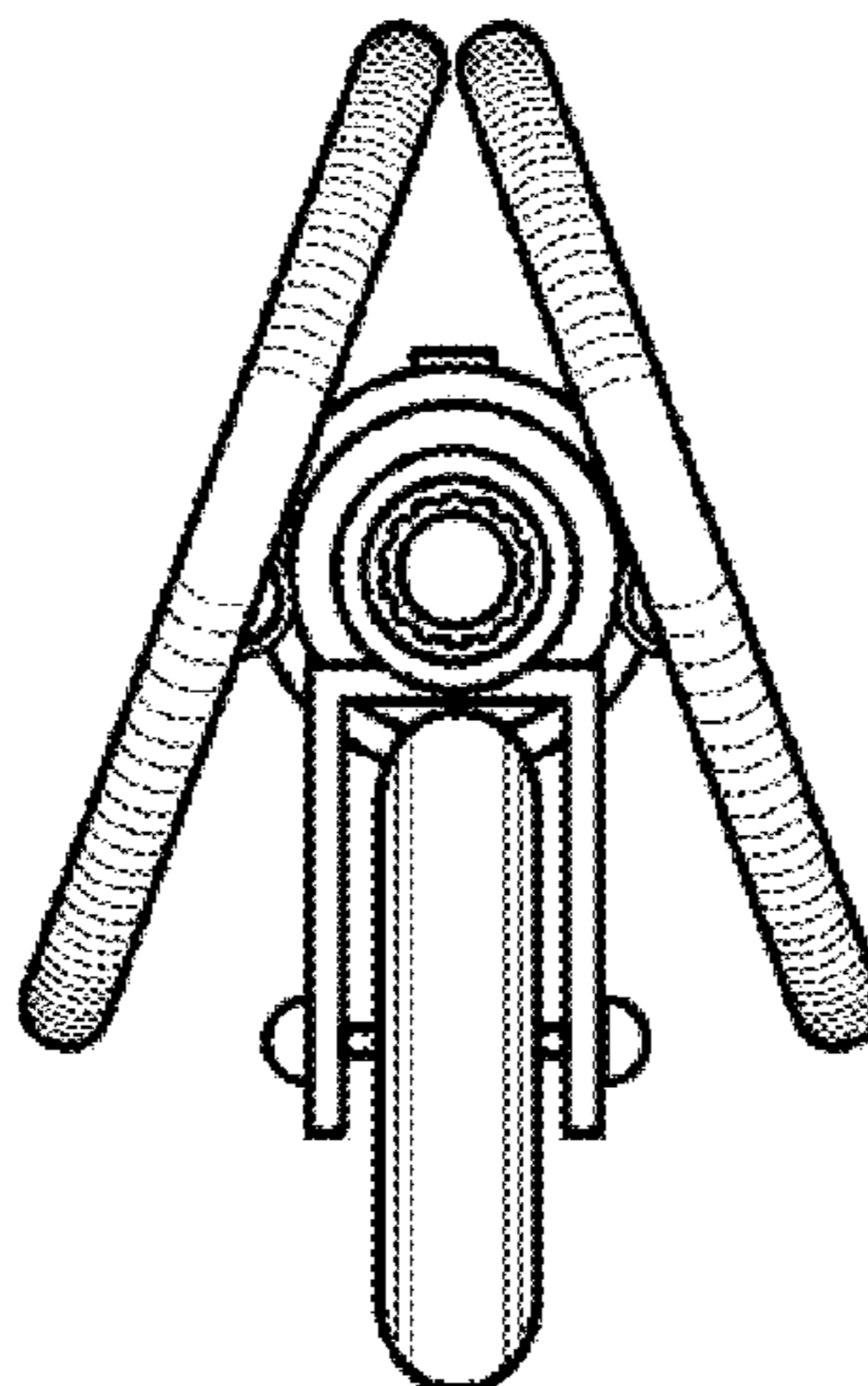
(57) **CLAIM**

The ornamental design for the hydraulic gutter cleaning tool, as described and shown.

DESCRIPTION

FIG. 1 is a front side elevation of the hydraulic gutter cleaning tool
FIG. 2 is a rear side elevation of the hydraulic gutter cleaning tool
FIG. 3 is a left side elevation of the hydraulic gutter cleaning tool
FIG. 4 is a right side elevation of the hydraulic gutter cleaning tool
FIG. 5 is a top plan view of the hydraulic gutter cleaning tool; and,
FIG. 6 is a bottom plan view of the hydraulic gutter cleaning tool.
Broken lines are included for the purpose of illustrating portions of the hydraulic gutter cleaning tool and form no part of the claimed design.

1 Claim, 6 Drawing Sheets



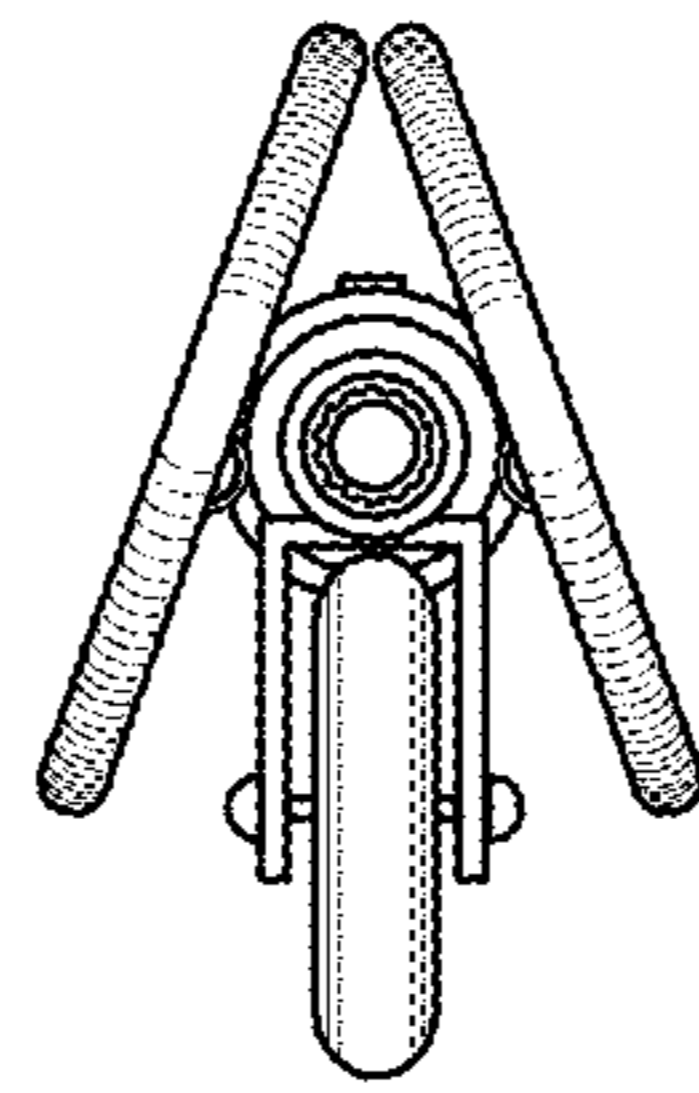


FIG. 1

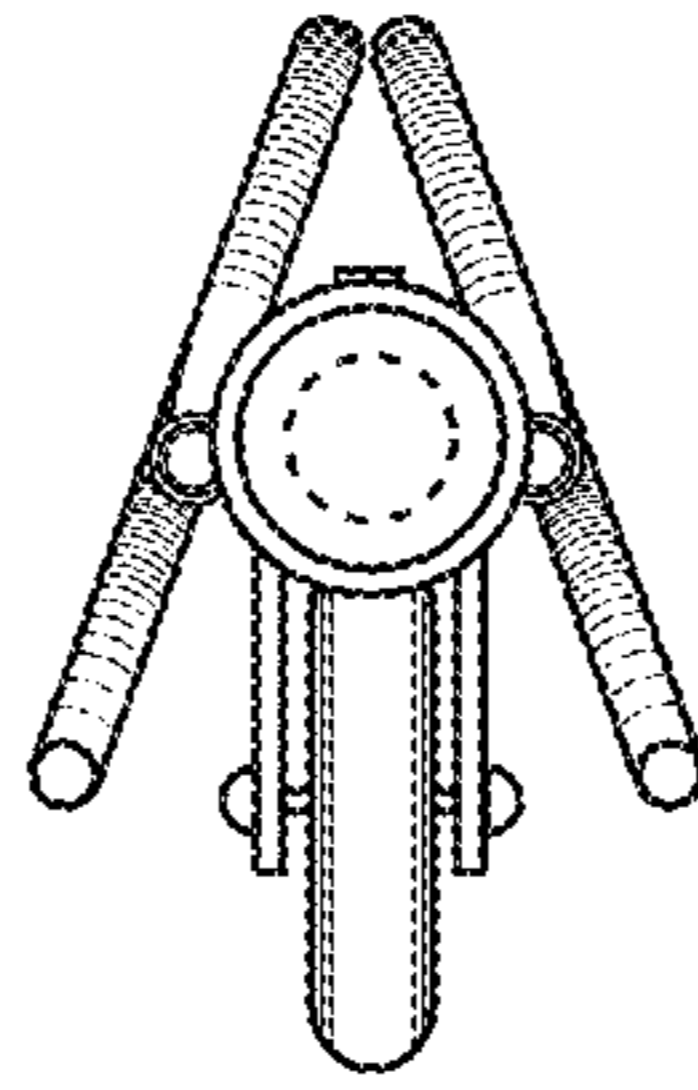


FIG. 2

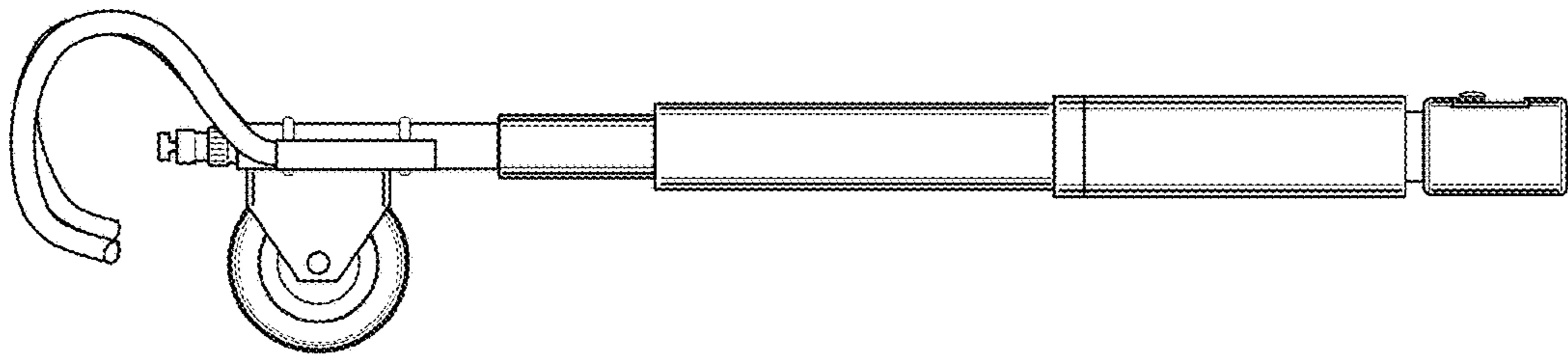


FIG. 3

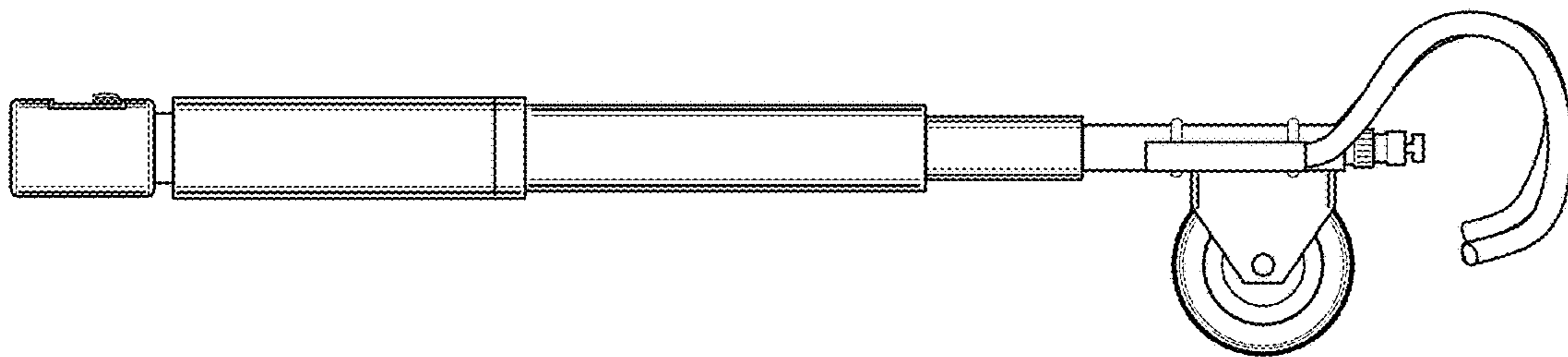


FIG. 4

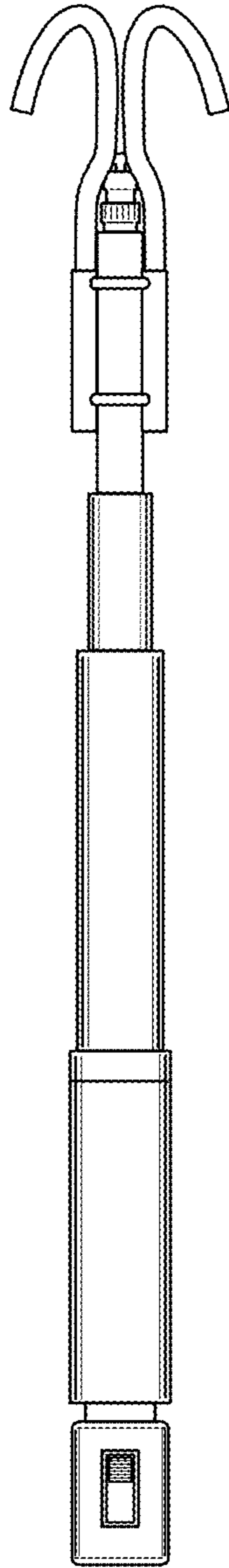


FIG. 5

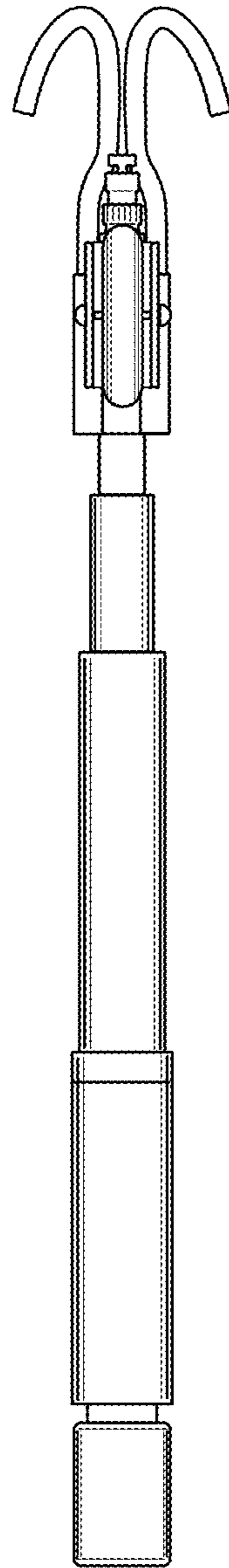


FIG. 6