



US00D815782S

(12) **United States Design Patent**
Leick et al.

(10) **Patent No.:** **US D815,782 S**
(45) **Date of Patent:** **** Apr. 17, 2018**

- (54) **LITTER SCOOP**
- (71) Applicant: **Doskocil Manufacturing Company, Inc.**, Arlington, TX (US)
- (72) Inventors: **Sarah Leick**, Farmers Branch, TX (US); **David Veness**, Fort Worth, TX (US); **Sunil Pinto**, Arlington, TX (US)
- (73) Assignee: **DOSKOCIL MANUFACTURING COMPANY, INC.**, Arlington, TX (US)

(**) Term: **15 Years**

(21) Appl. No.: **29/557,482**

(22) Filed: **Mar. 9, 2016**

(51) **LOC (11) Cl.** **30-99**

(52) **U.S. Cl.**
USPC **D30/162**

(58) **Field of Classification Search**

USPC D30/162, 161, 199; 119/867, 161, 166, 119/174; D8/13, 10; D9/430; 294/1.3-1.5, 19.1, 49, 50, 50.5, 55, 179, 294/176, 180, 3, 7, 99.2, 177, 59, 57; 209/418, 419; 15/257.1, 257.2, 1.7; 210/464, 465, 470, 472; D7/692; D21/532; D32/74

CPC A01K 1/01; A01K 1/011; A01K 1/0128; A01K 1/0132; E01H 1/12; E01H 1/1206; E01H 2001/122; E01H 2001/1226; E01H 2001/1233; E01H 2001/1246; E01H 2001/126; E01H 2001/1266; E01H 2001/1273; E01H 2001/128; B07B 1/00; B07B 1/005; B07B 1/02; E04H 4/1609; F24B 15/08

See application file for complete search history.

(56) **References Cited**

U.S. PATENT DOCUMENTS

- 316,623 A * 4/1885 Hooper F24B 15/08
209/419
- 421,021 A * 2/1890 Vowles B07B 1/02
209/419

- D292,261 S * 10/1987 Mitton D8/11
- 5,238,277 A 8/1993 Robinson
- D347,497 S * 5/1994 VanSkiver 294/1.3
- 5,741,036 A 4/1998 Ring
- 5,782,203 A * 7/1998 Tennen A01K 1/0114
119/166
- 5,921,596 A 7/1999 Sheriff et al.
- D416,359 S * 11/1999 Schlueter D30/162
- 6,022,058 A * 2/2000 O'Rourke A01K 1/0114
209/418
- D429,853 S * 8/2000 Hammond D30/162
- 6,578,807 B1 * 6/2003 Lipscomb A01K 1/0114
248/314
- D479,105 S * 9/2003 Debord D8/10
- D480,519 S * 10/2003 Firth D30/162
- 7,047,907 B1 * 5/2006 Johnston A01K 1/0114
119/867

(Continued)

Primary Examiner — Susan Moon Lee

(74) *Attorney, Agent, or Firm* — Global IP Counselors, LLP

(57) **CLAIM**

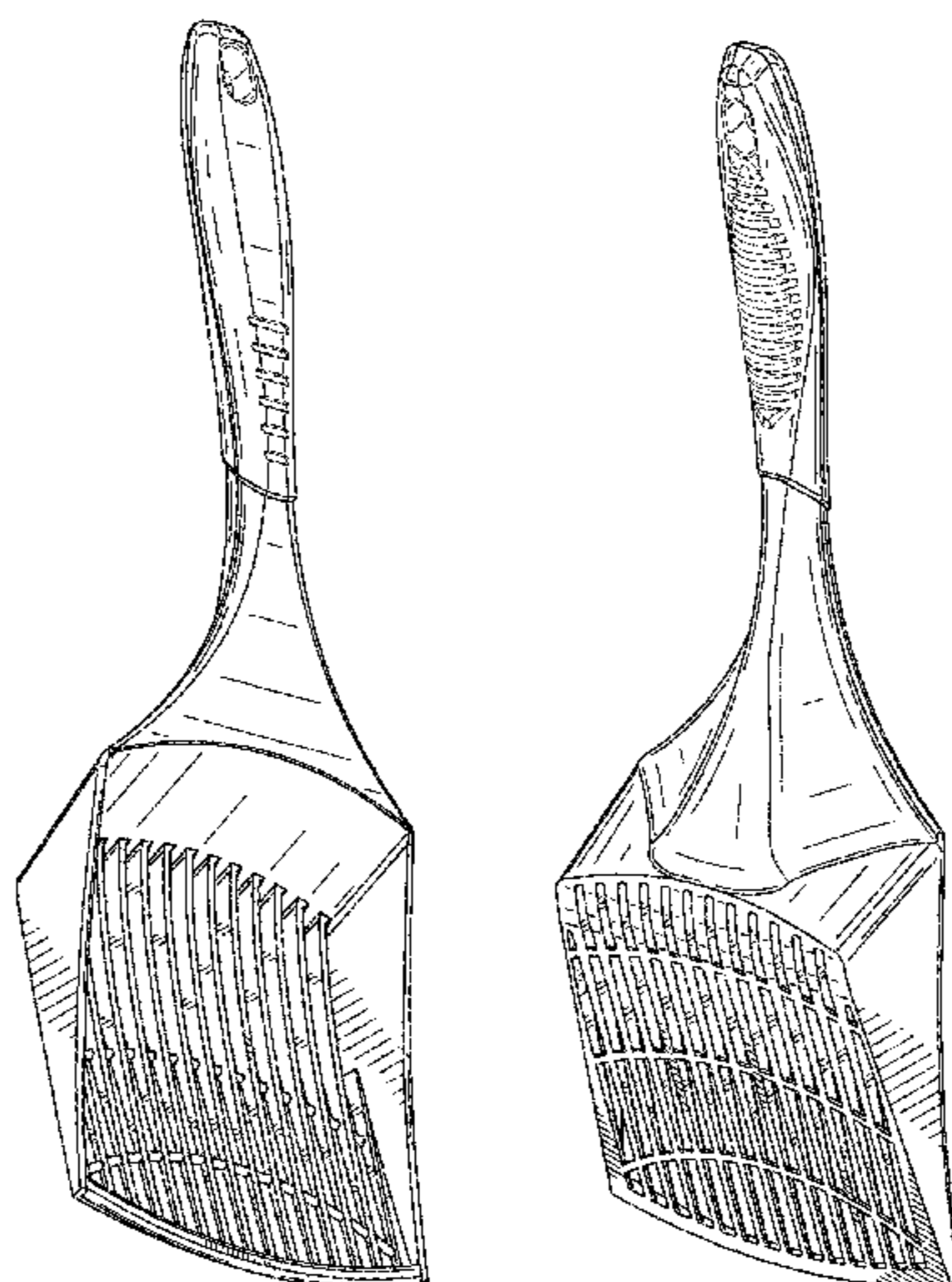
The ornamental design for a litter scoop, as shown and described.

DESCRIPTION

FIG. 1 is a top perspective view of a litter scoop in accordance with our new design;
 FIG. 2 is a bottom perspective view thereof;
 FIG. 3 is a top view thereof;
 FIG. 4 is a bottom view thereof;
 FIG. 5 is a side view thereof;
 FIG. 6 is a back view thereof; and,
 FIG. 7 is a front view thereof.

The broken lines shown represent unclaimed features of the litter scoop and form no part of the claimed design.

1 Claim, 5 Drawing Sheets



(56)

References Cited

U.S. PATENT DOCUMENTS

D659,916 S	5/2012	Myerson	
D679,876 S *	4/2013	Teren	D30/162
9,565,831 B1 *	2/2017	Coscia	A01K 1/0114
2004/0227364 A1 *	11/2004	Pain	A01K 1/0114
			294/1.3
2005/0173935 A1 *	8/2005	Pain	A01K 1/0114
			294/1.3
2006/0156991 A1 *	7/2006	Burns	A01K 1/0114
			119/161
2013/0292957 A1 *	11/2013	Paculdo	A01K 1/0114
			294/179
2016/0324115 A1 *	11/2016	Bridges	A01K 1/0114
2017/0150696 A1 *	6/2017	Christian	A01K 1/0114

* cited by examiner

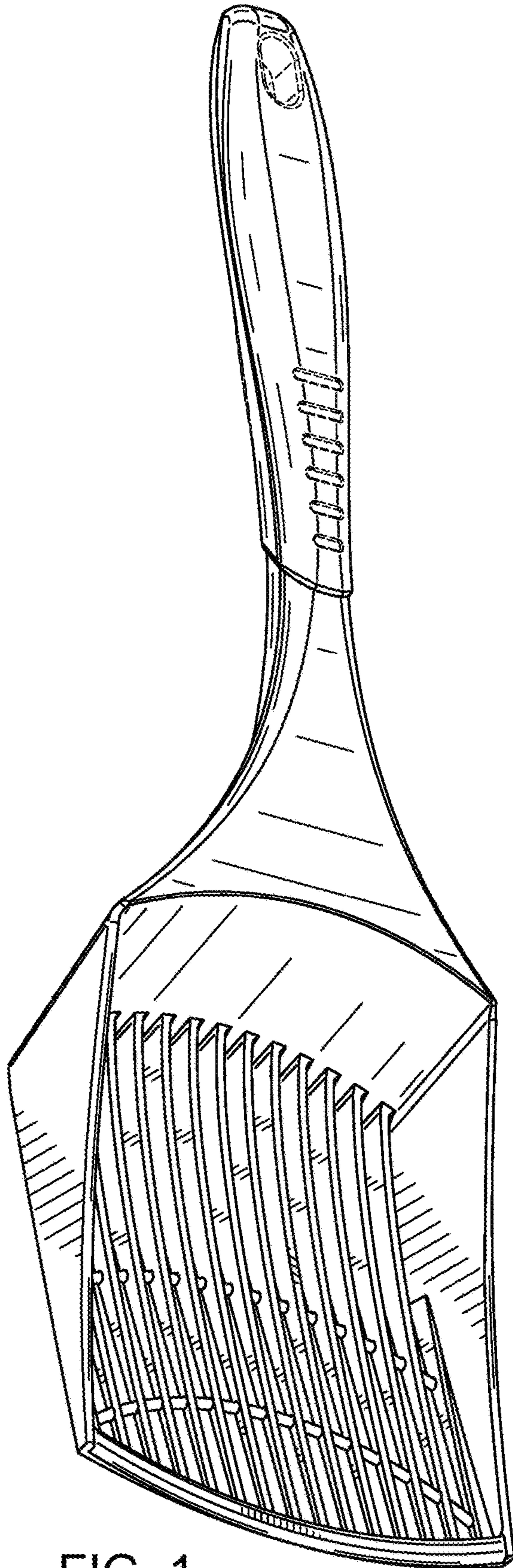


FIG. 1

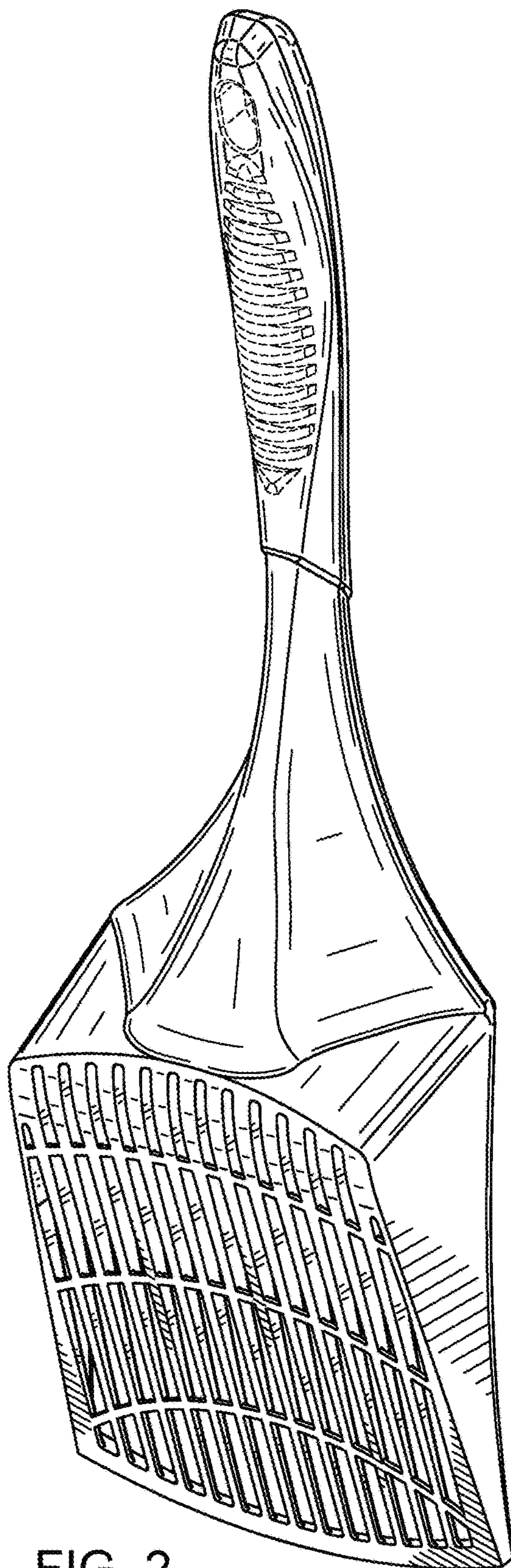
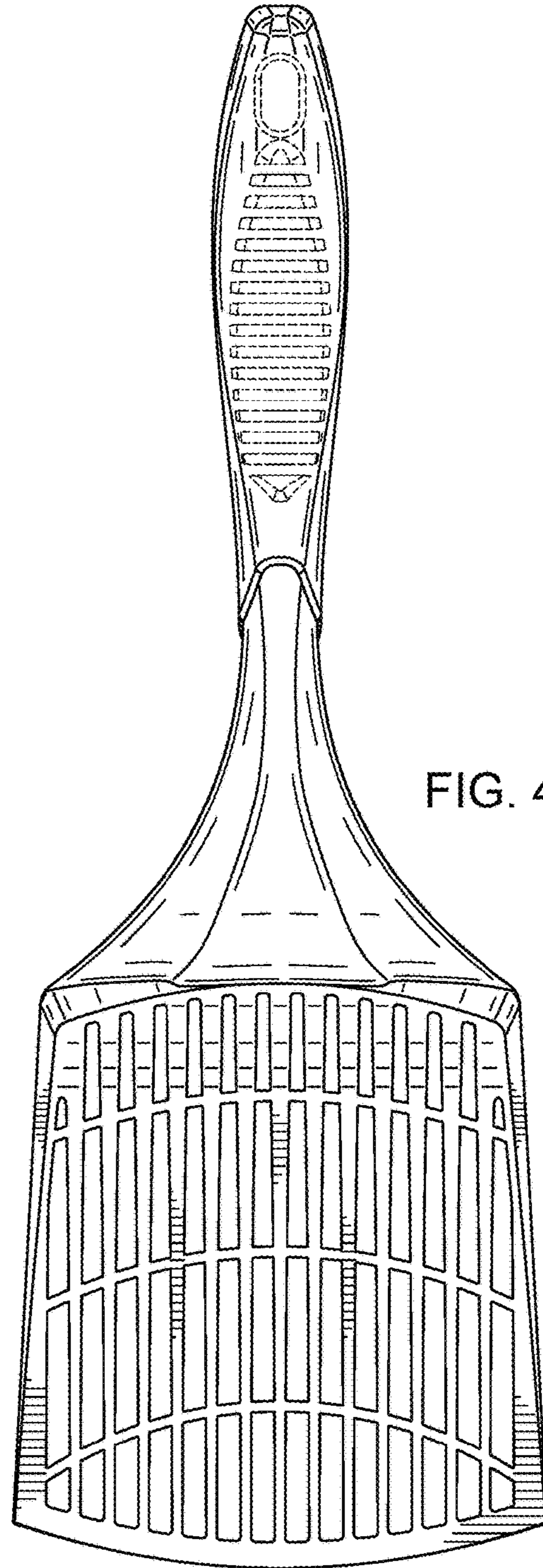
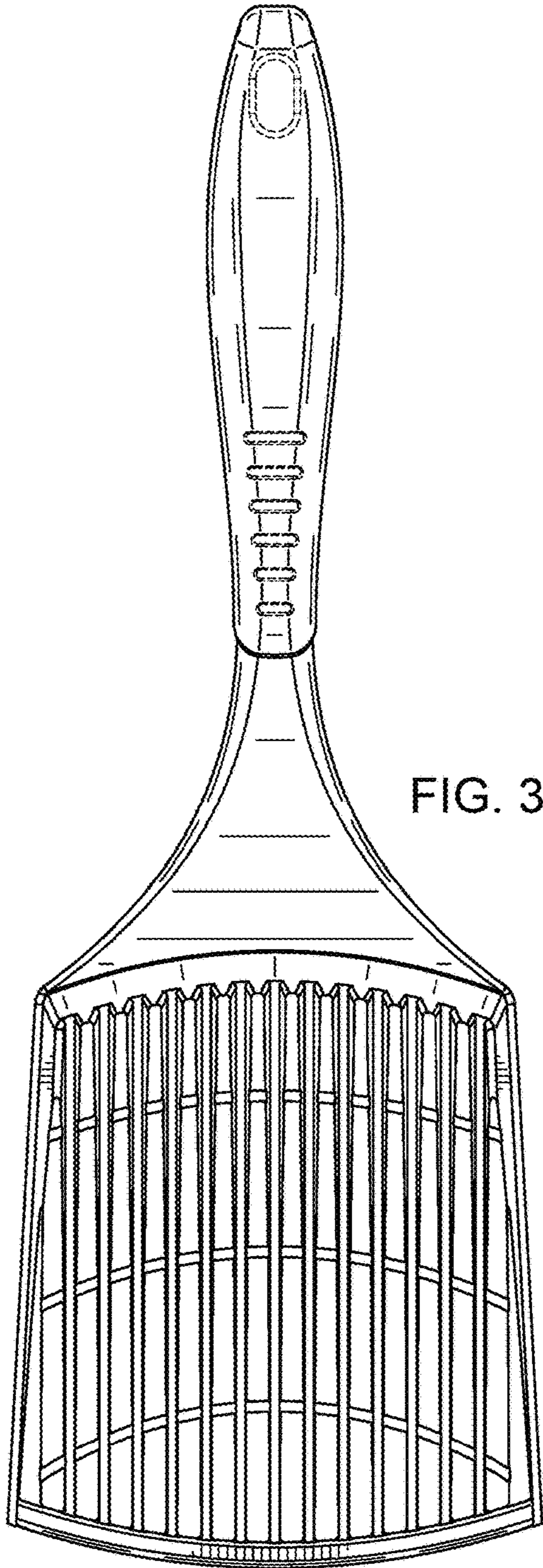


FIG. 2



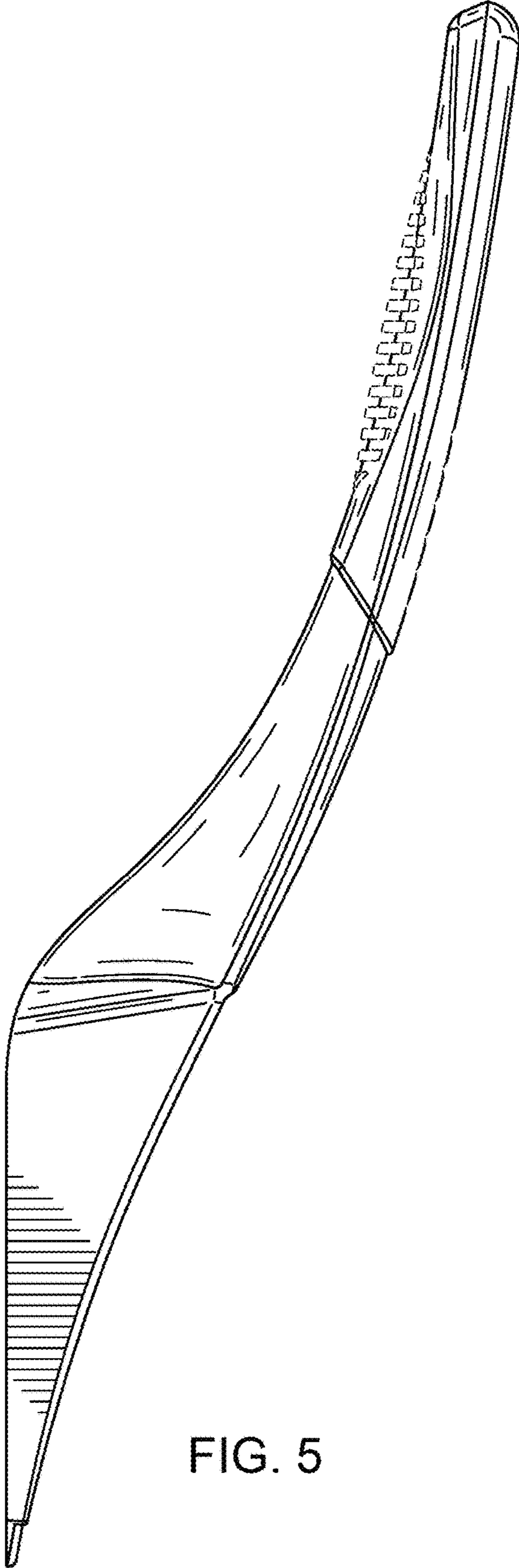


FIG. 5

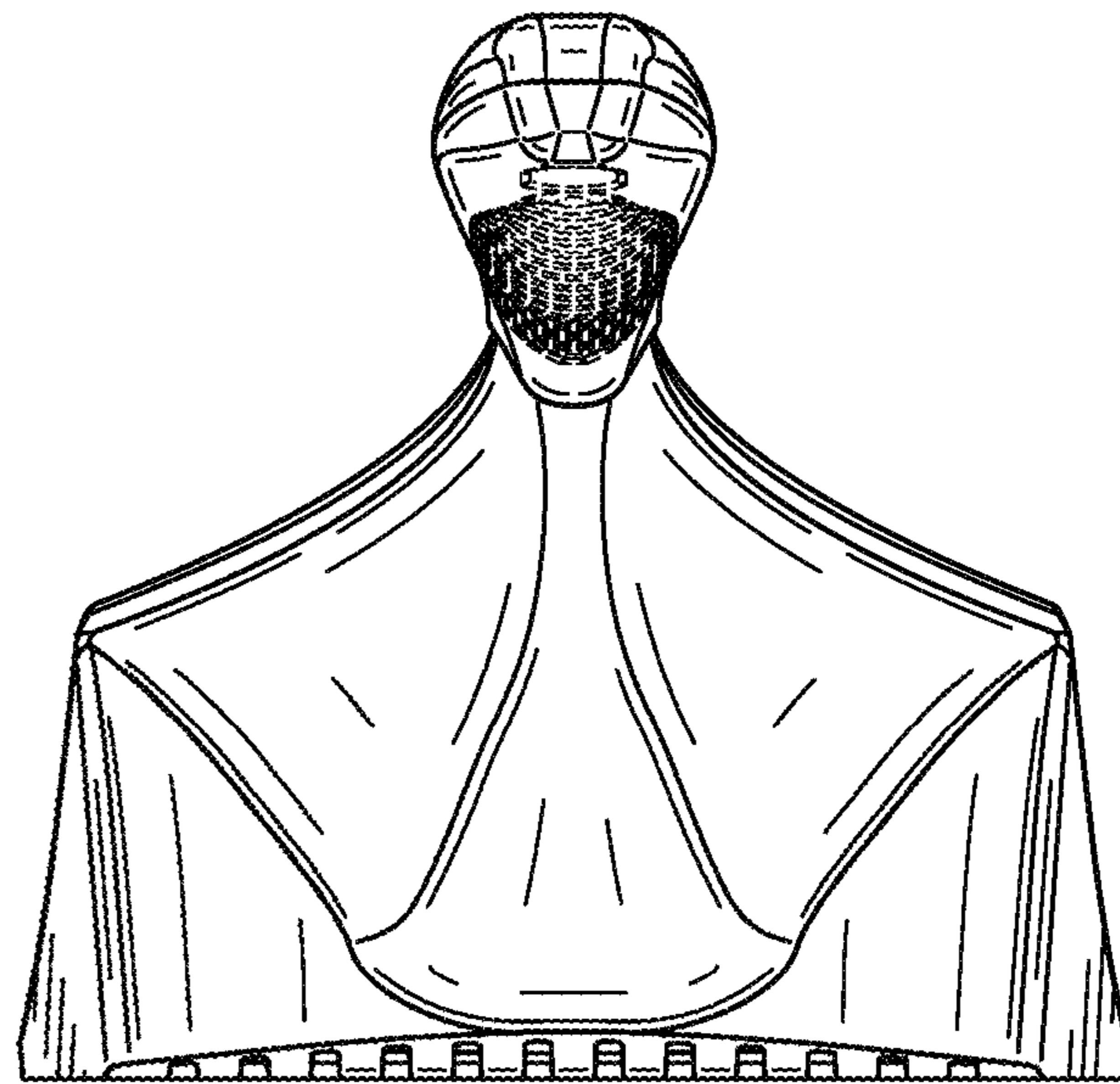


FIG. 6

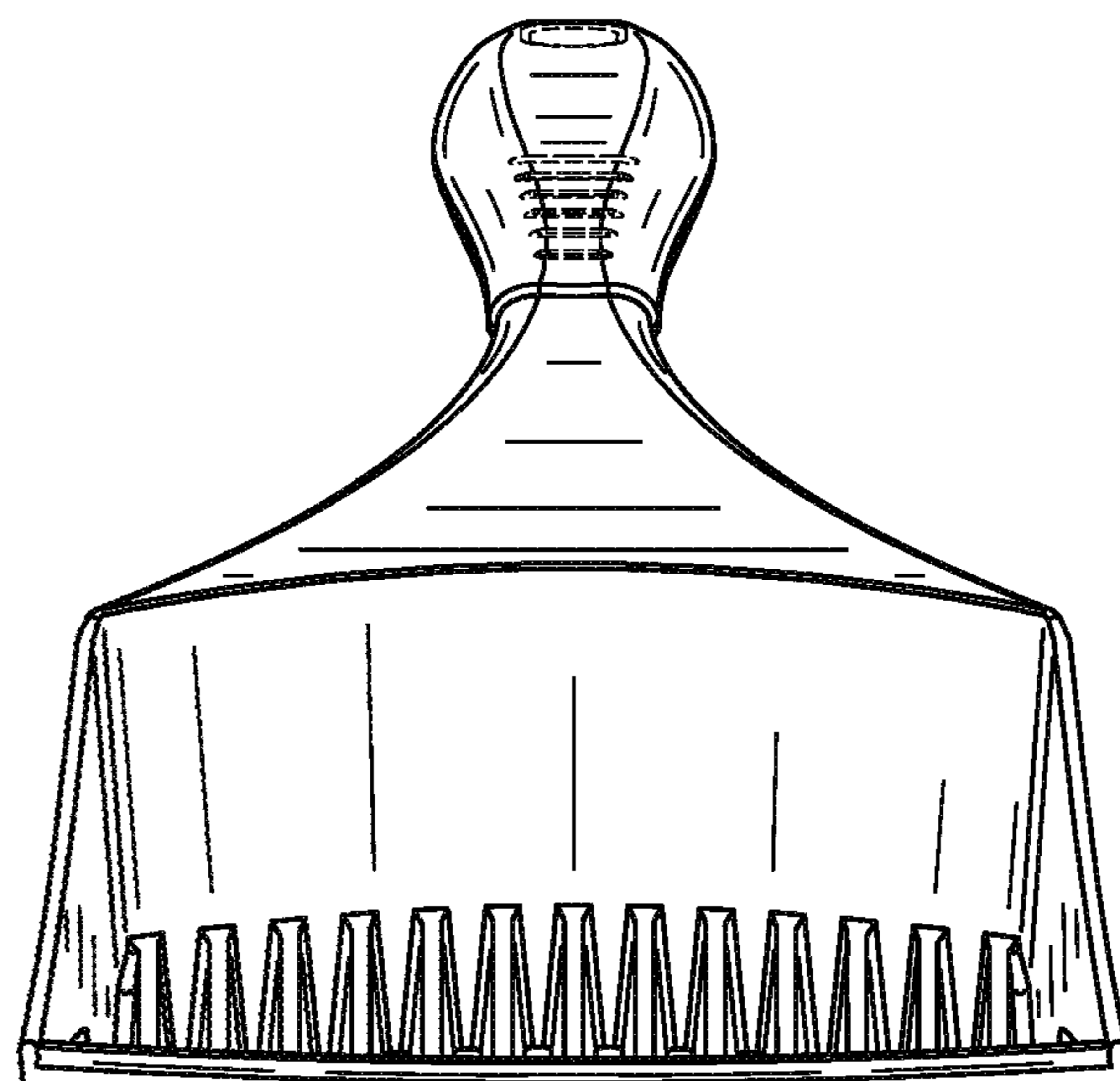


FIG. 7