



US00D815781S

(12) **United States Design Patent**  
**Harrington et al.**

(10) **Patent No.:** **US D815,781 S**  
(45) **Date of Patent:** **\*\* Apr. 17, 2018**

(54) **PET WASTE CARRIER**

(71) Applicants: **John Paul Harrington**, Spicewood, TX (US); **Josh Stitzer**, Lexington, KY (US)

(72) Inventors: **John Paul Harrington**, Spicewood, TX (US); **Josh Stitzer**, Lexington, KY (US)

(\*\*) Term: **15 Years**

(21) Appl. No.: **29/598,173**

(22) Filed: **Mar. 23, 2017**

(51) **LOC (11) Cl.** ..... **30-99**

(52) **U.S. Cl.**  
USPC ..... **D30/161**

(58) **Field of Classification Search**

USPC ..... D30/161, 162, 151, 144, 140, 137, 106, D30/199, 121, 131-133; 119/867, 868, 119/161, 163, 164, 170, 717, 712, 174; 294/1.3-1.5, 214; 43/7-12, 109; 15/257.1, 257.7; 206/496, 515, 524.5; 383/33, 34, 34.1, 6, 12, 13, 68; 30/99; D32/74, 49, 53; D8/14, 106, 107, 499; 280/47.26, 47.23, 47.34, 652, 47.19, 79.5, 280/79.7; 248/65, 205.2, 907, 151, 188, 248/222.14, 210; D34/12, 14, 15, 21, 23, D34/24-28, 7, 9; 312/204, 327; 108/156, 153.1-157; 220/23.87, 630, 220/737, 743, 9.4, 495.01, 574, 212, 255, 220/23.83, 482, 758, 671, 769, 776, 904, 220/751, 770; D7/586, 543, 550.1, 587, D7/505, 584, 545, 500, 553.1-553.8, 546, D7/555, 556, 504, 565, 562, 602; D9/429; D22/122; 99/430, DIG. 15; 222/465.1; D24/123; D23/299  
CPC ..... A01K 23/00; A01K 23/005; A01K 1/01; E01H 1/1206; E01H 1/1213; E01H 1/12; E01H 2001/122; E01H 2001/1226; E01H 2001/1233; E01H 2001/128; E01H 2001/1286; E01H 2001/1293; E01H 2001/1273; E01H 2001/126; F16L 3/04; B26B 1/00; B26B 1/002; B26B 1/008;

B26B 1/02; B26B 1/04; B26B 1/06; B26B 1/14; B26B 1/142; B26B 1/16; B26B 1/22; B26B 3/00; B26B 5/00

See application file for complete search history.

(56) **References Cited**

U.S. PATENT DOCUMENTS

2,016,558 A \* 10/1935 Redrup ..... B65D 43/267  
220/263  
3,380,307 A \* 4/1968 De Frank ..... A47G 21/04  
141/110  
3,798,682 A \* 3/1974 Harreld ..... A61J 19/00  
4/258

(Continued)

*Primary Examiner* — Susan Moon Lee

(74) *Attorney, Agent, or Firm* — Quickpatents, LLC; Kevin Prince

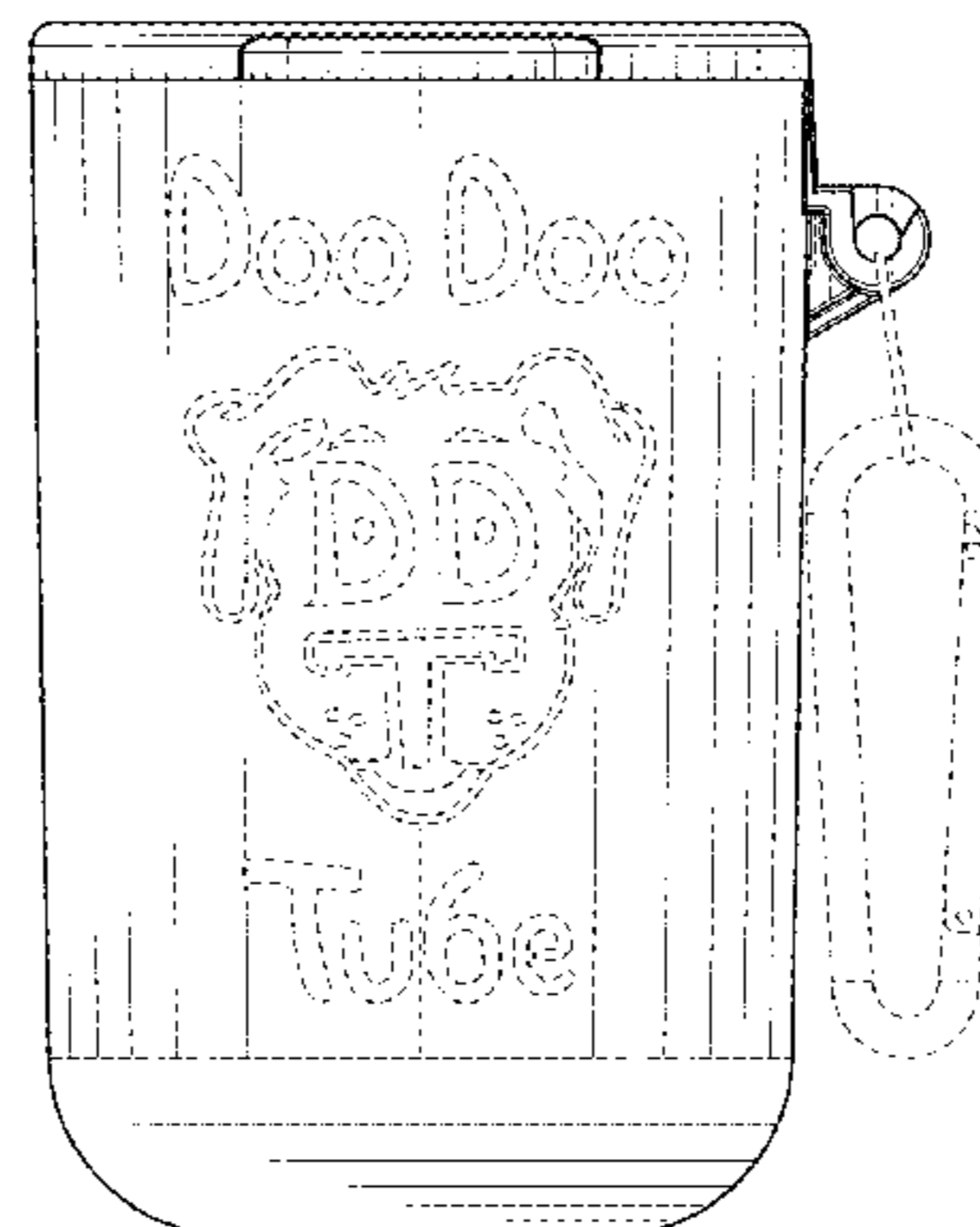
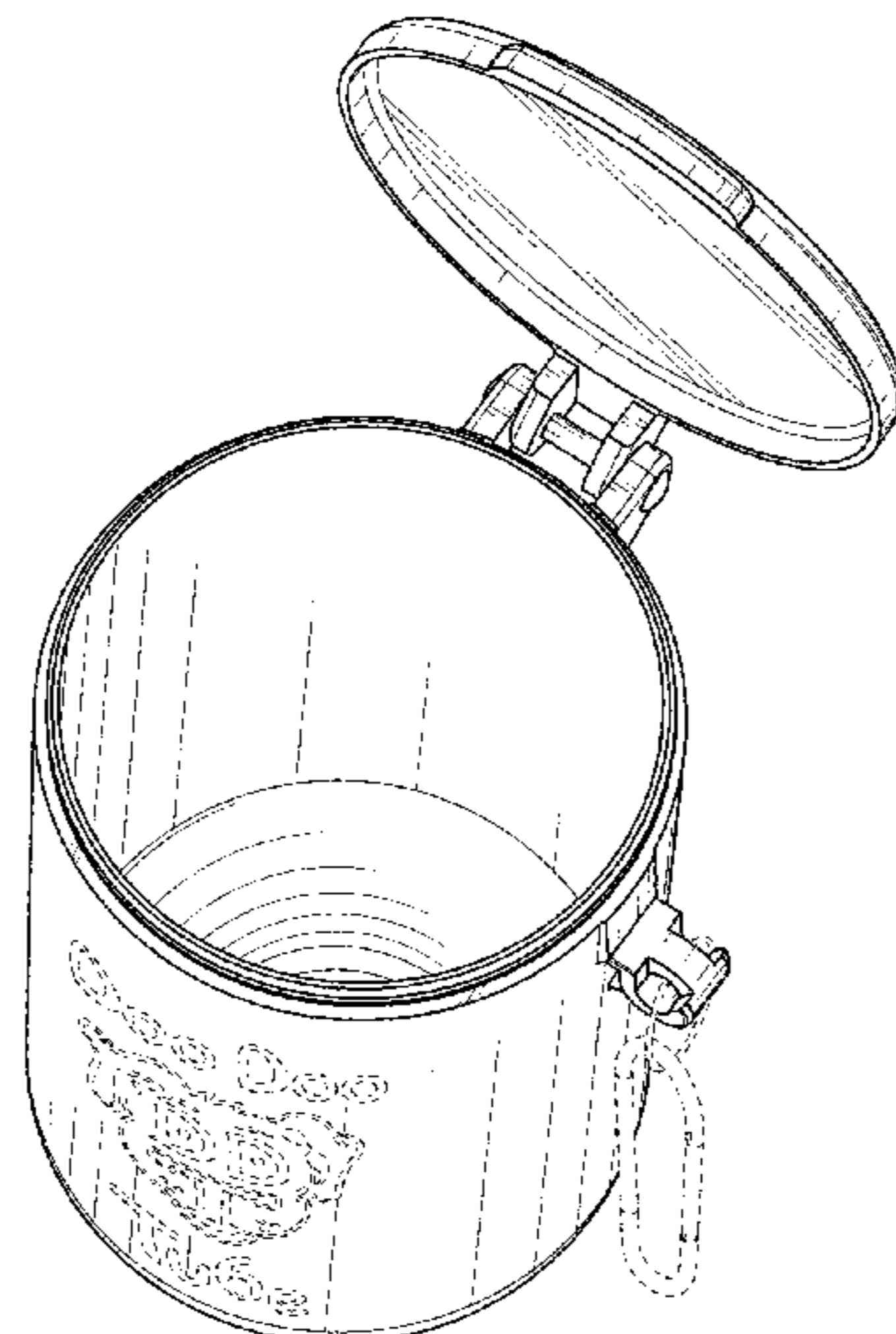
(57) **CLAIM**

We claim the ornamental design for a pet waste carrier, as shown and described.

**DESCRIPTION**

FIG. 1 is a perspective view of a pet waste carrier, showing our new design in an open position; FIG. 2 is a front elevational view thereof; FIG. 3 is a right-side elevational view thereof; FIG. 4 is a perspective view thereof, illustrated in a closed position; FIG. 5 is a right-side elevational view thereof; FIG. 6 is a left-side elevational view thereof; FIG. 7 is a front elevational view thereof; FIG. 8 is a rear elevational view thereof; FIG. 9 is a top plan view thereof; and, FIG. 10 is a bottom plan view thereof. The broken lines showing a logo and a carabiner in the figures depict environmental matter and form no part of the claimed design.

**1 Claim, 9 Drawing Sheets**



(56)

References Cited

U.S. PATENT DOCUMENTS

D239,248 S \* 3/1976 Pinguely ..... D27/105  
 4,042,269 A \* 8/1977 Skermetta ..... A01K 23/005  
 15/257.3  
 4,226,456 A \* 10/1980 Barnett ..... E01H 1/1206  
 15/257.1  
 4,236,741 A \* 12/1980 Emme ..... A01K 23/005  
 294/1.5  
 4,262,948 A \* 4/1981 Emme ..... A01K 23/005  
 294/1.5  
 4,494,672 A \* 1/1985 Pearson ..... B65D 47/088  
 220/258.2  
 4,555,132 A \* 11/1985 Takoushian ..... A01K 23/005  
 294/1.5  
 D310,436 S \* 9/1990 Krauth ..... 294/1.3  
 5,078,296 A \* 1/1992 Amidzich ..... B65D 55/16  
 220/838  
 5,139,163 A \* 8/1992 Diaz ..... B65D 21/0219  
 206/509  
 D414,293 S \* 9/1999 Lee ..... D27/102  
 5,970,922 A \* 10/1999 Lin ..... A01K 27/001  
 119/867  
 6,164,710 A \* 12/2000 Shibuya ..... A01K 23/005  
 15/257.3  
 D453,067 S \* 1/2002 Cody ..... D2/617

6,588,375 B2 \* 7/2003 Benedettini ..... A01K 27/006  
 119/795  
 D551,386 S \* 9/2007 Dayan ..... D27/105  
 7,374,215 B2 \* 5/2008 Anderson ..... E01H 1/1206  
 294/1.3  
 D626,639 S \* 11/2010 Taylor ..... D23/315  
 D654,739 S \* 2/2012 Chin ..... D3/215  
 D657,174 S \* 4/2012 Yatscoff ..... D3/215  
 8,534,725 B1 \* 9/2013 Burke ..... A01K 23/005  
 119/161  
 D695,543 S \* 12/2013 Kenmore ..... D6/519  
 8,839,745 B1 \* 9/2014 Johnston ..... A01K 27/003  
 119/769  
 D718,553 S \* 12/2014 Gnanendran ..... D6/518  
 2004/0189026 A1 \* 9/2004 Denham ..... E01H 1/1206  
 294/1.3  
 2006/0157995 A1 \* 7/2006 Cafferty ..... A01K 23/005  
 294/1.5  
 2008/0163822 A1 \* 7/2008 Faulkner ..... A01K 27/006  
 119/161  
 2009/0045639 A1 \* 2/2009 Shalhoub ..... A01K 23/005  
 294/1.5  
 2011/0254296 A1 \* 10/2011 Chavez ..... E01H 1/1206  
 294/1.3  
 2014/0062108 A1 \* 3/2014 Burke ..... A01K 23/005  
 294/1.3

\* cited by examiner

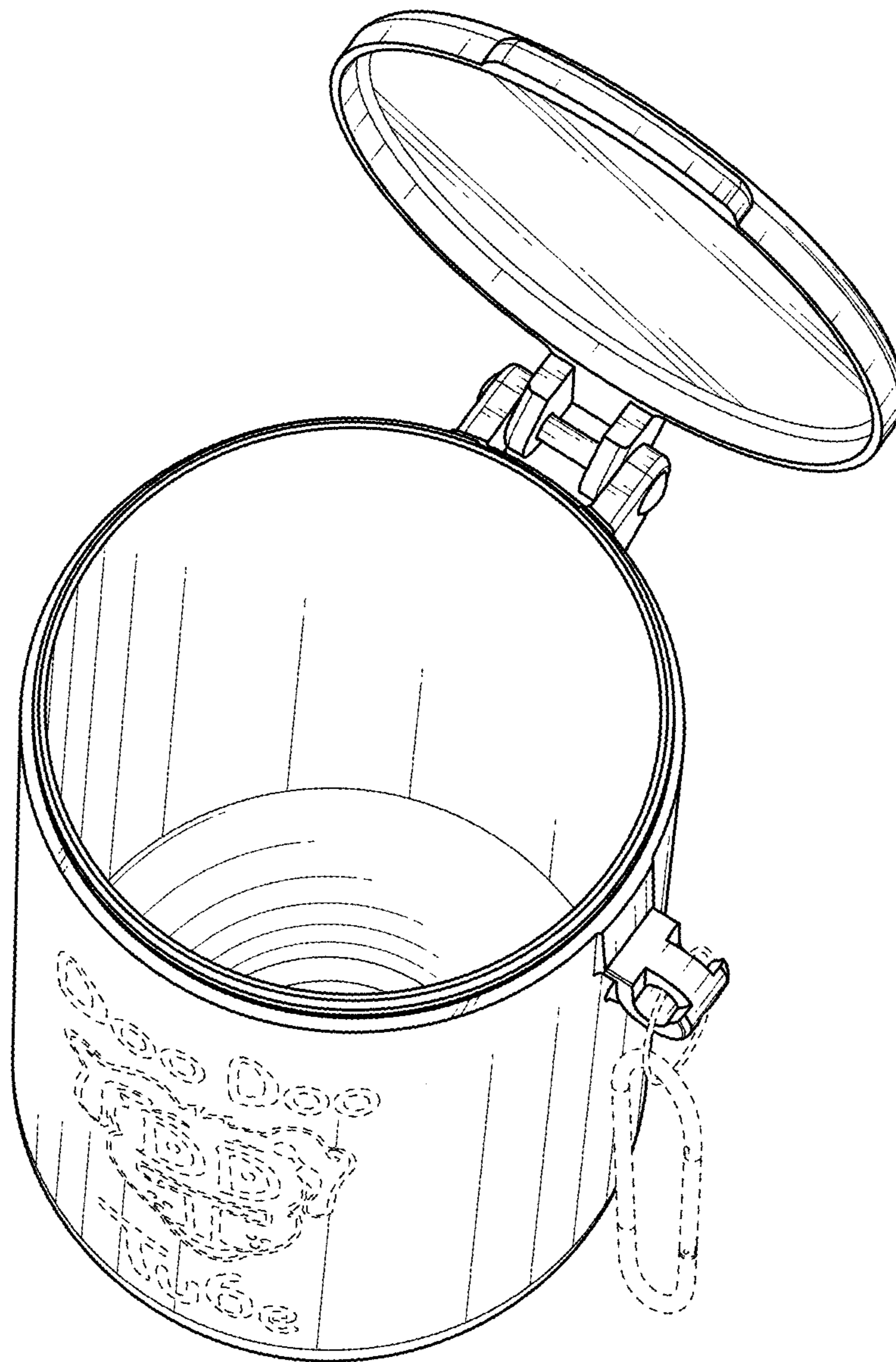


FIG. 1

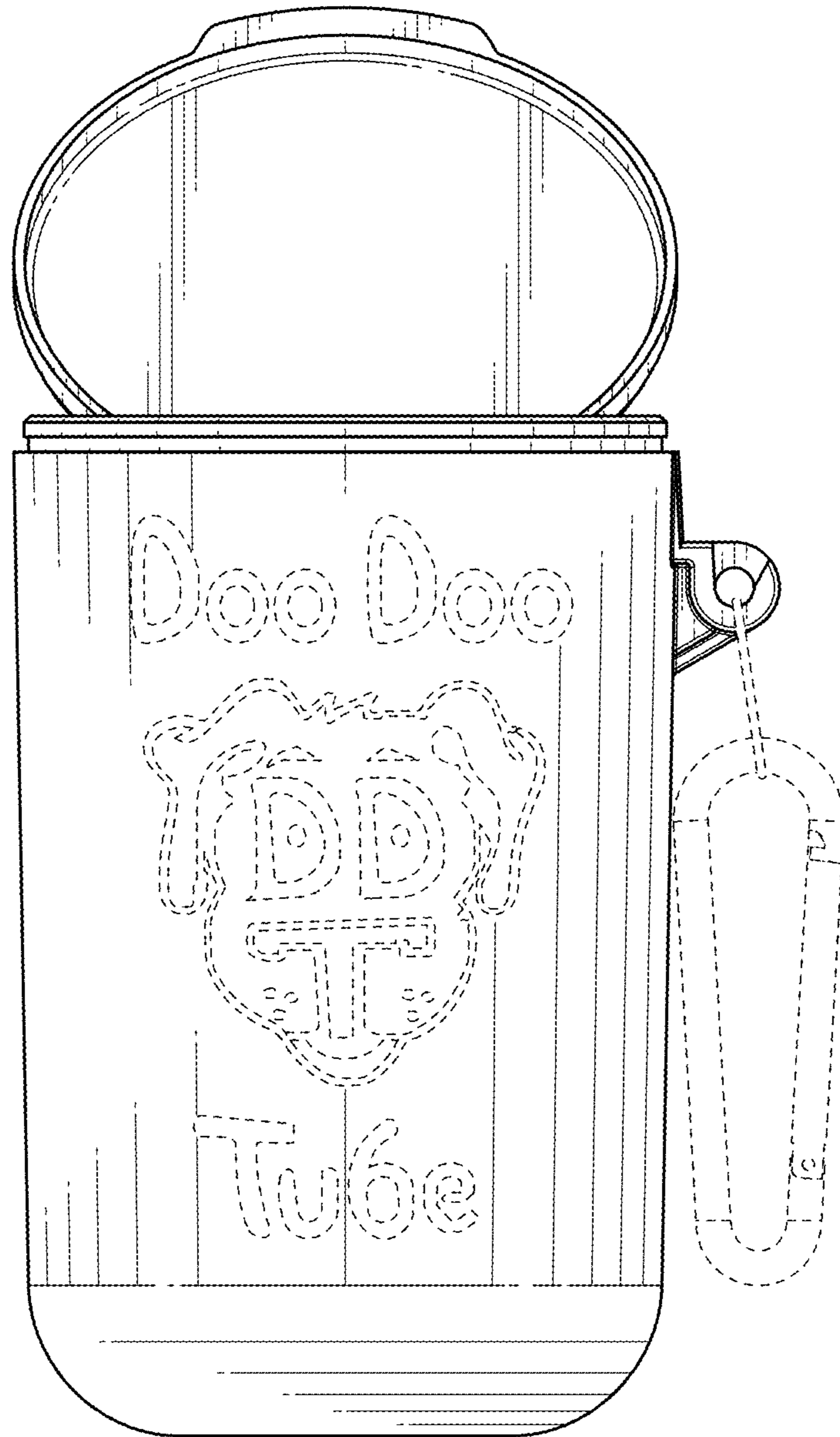


FIG. 2

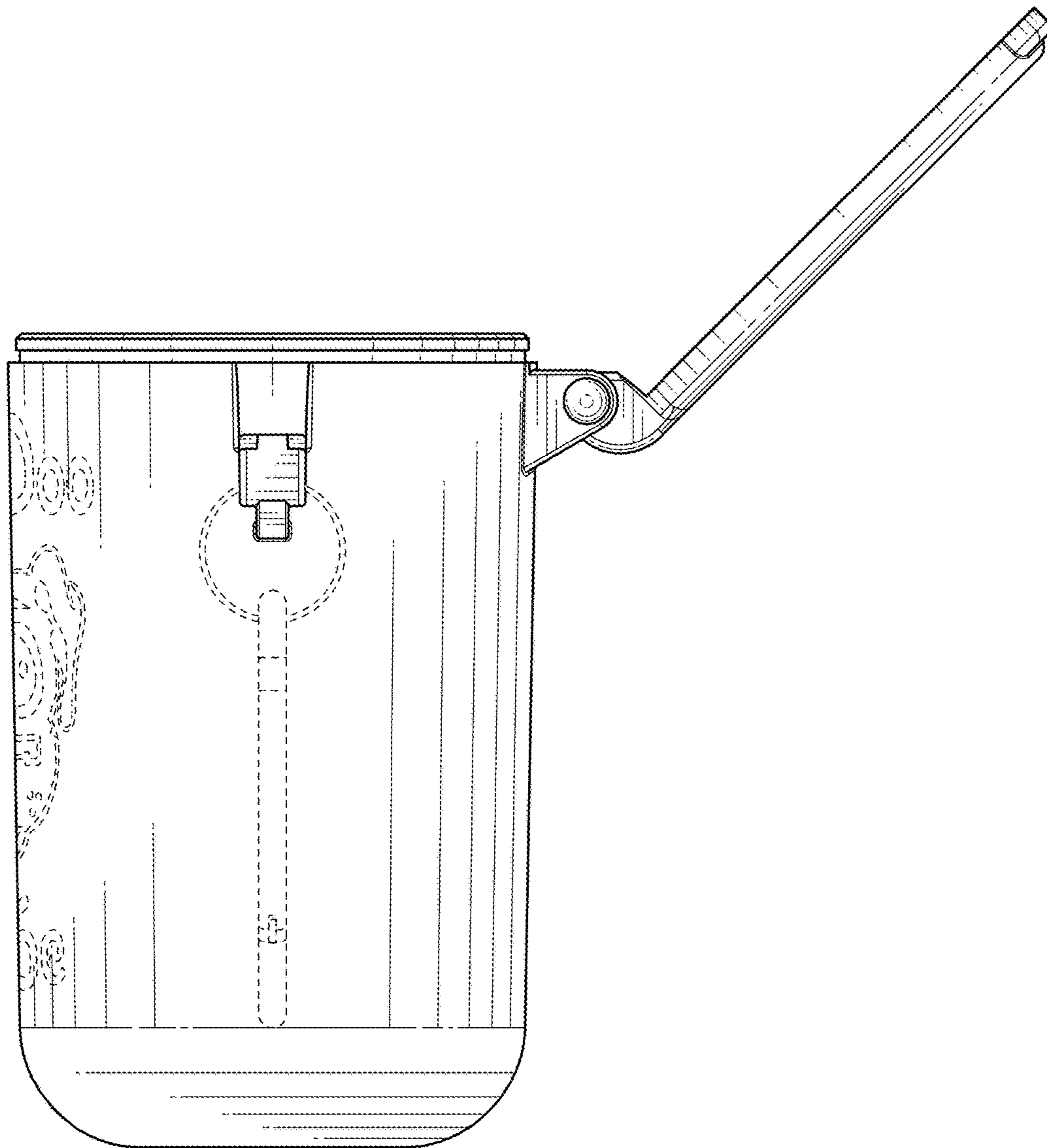


FIG. 3

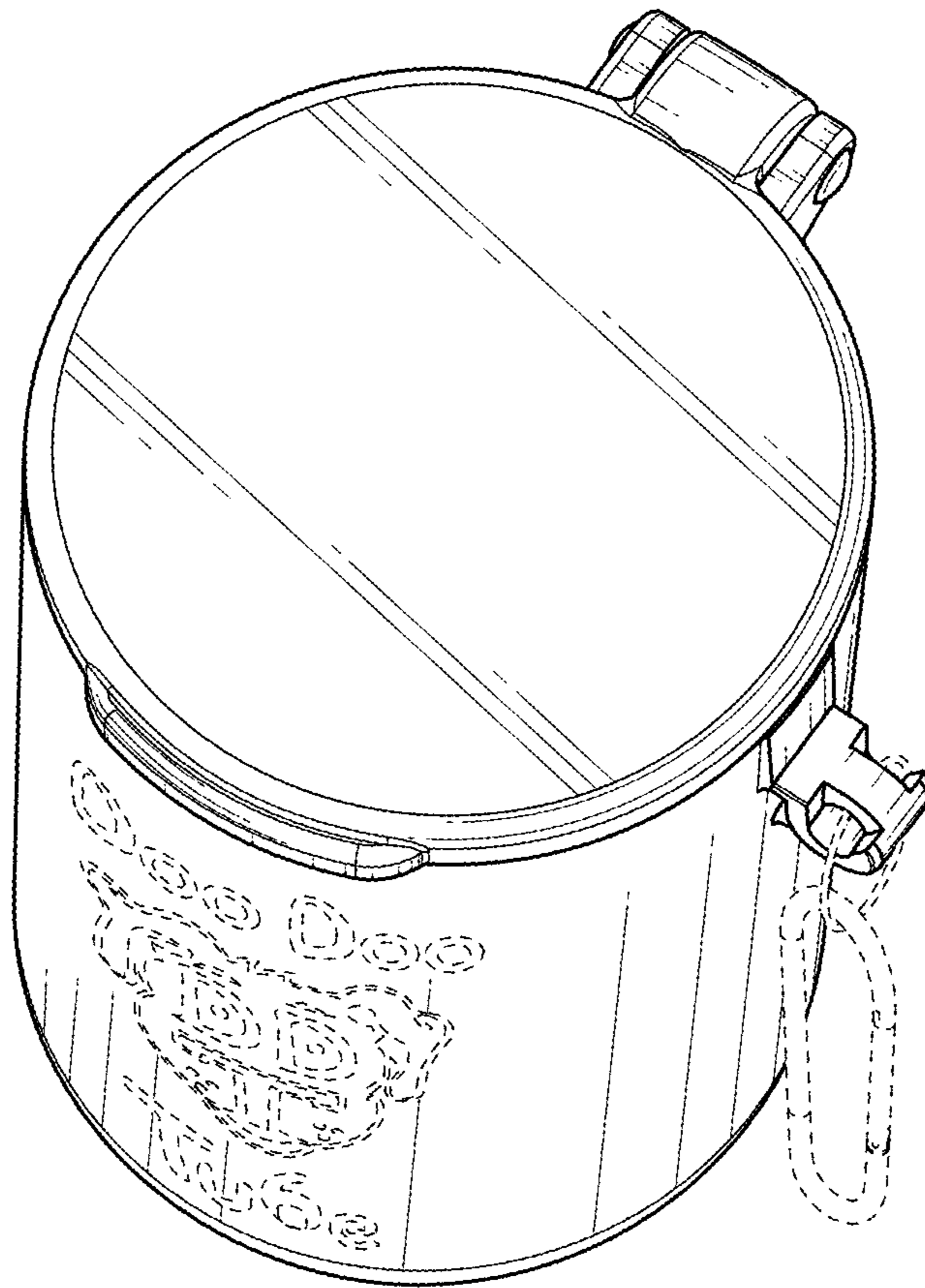


FIG. 4

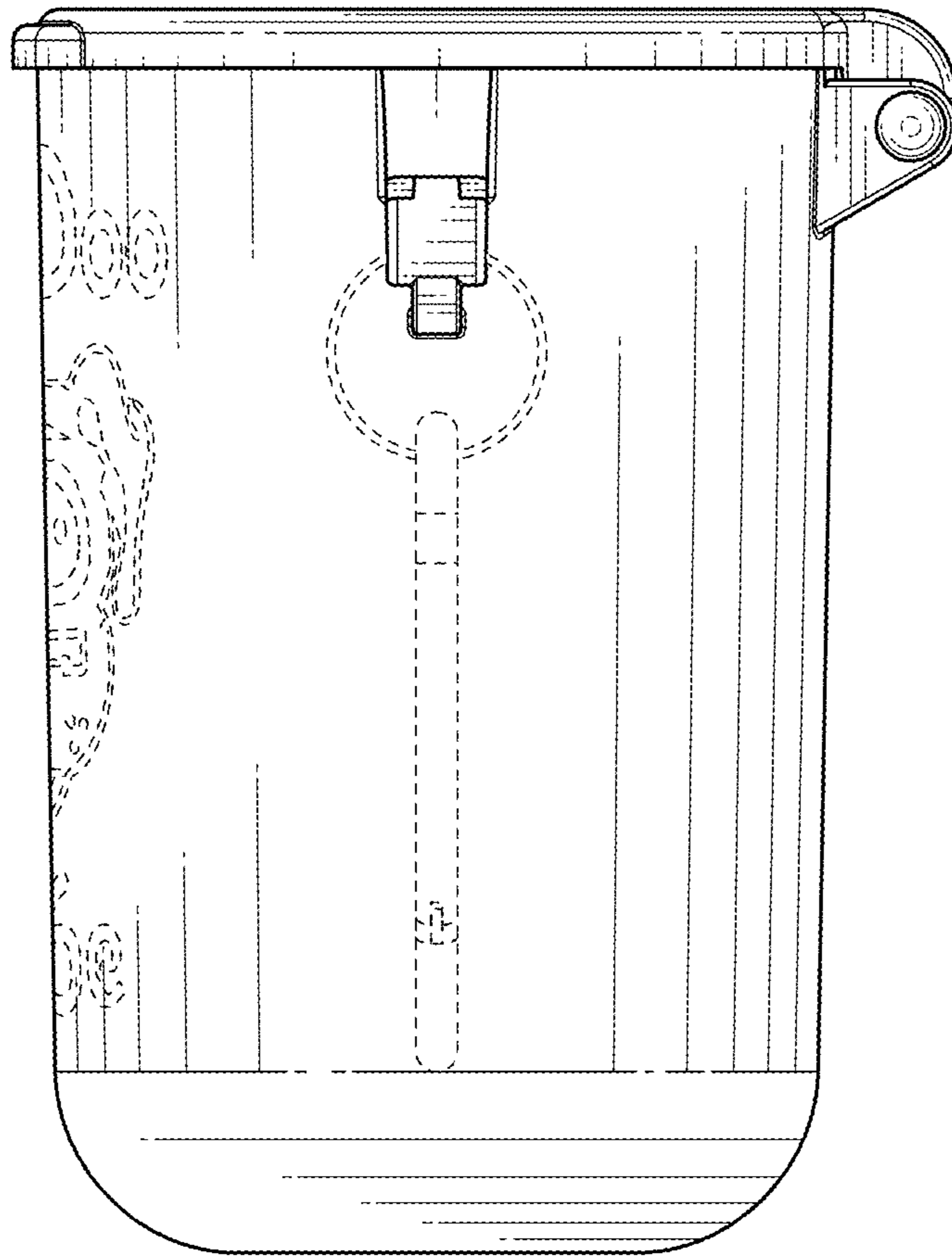


FIG. 5

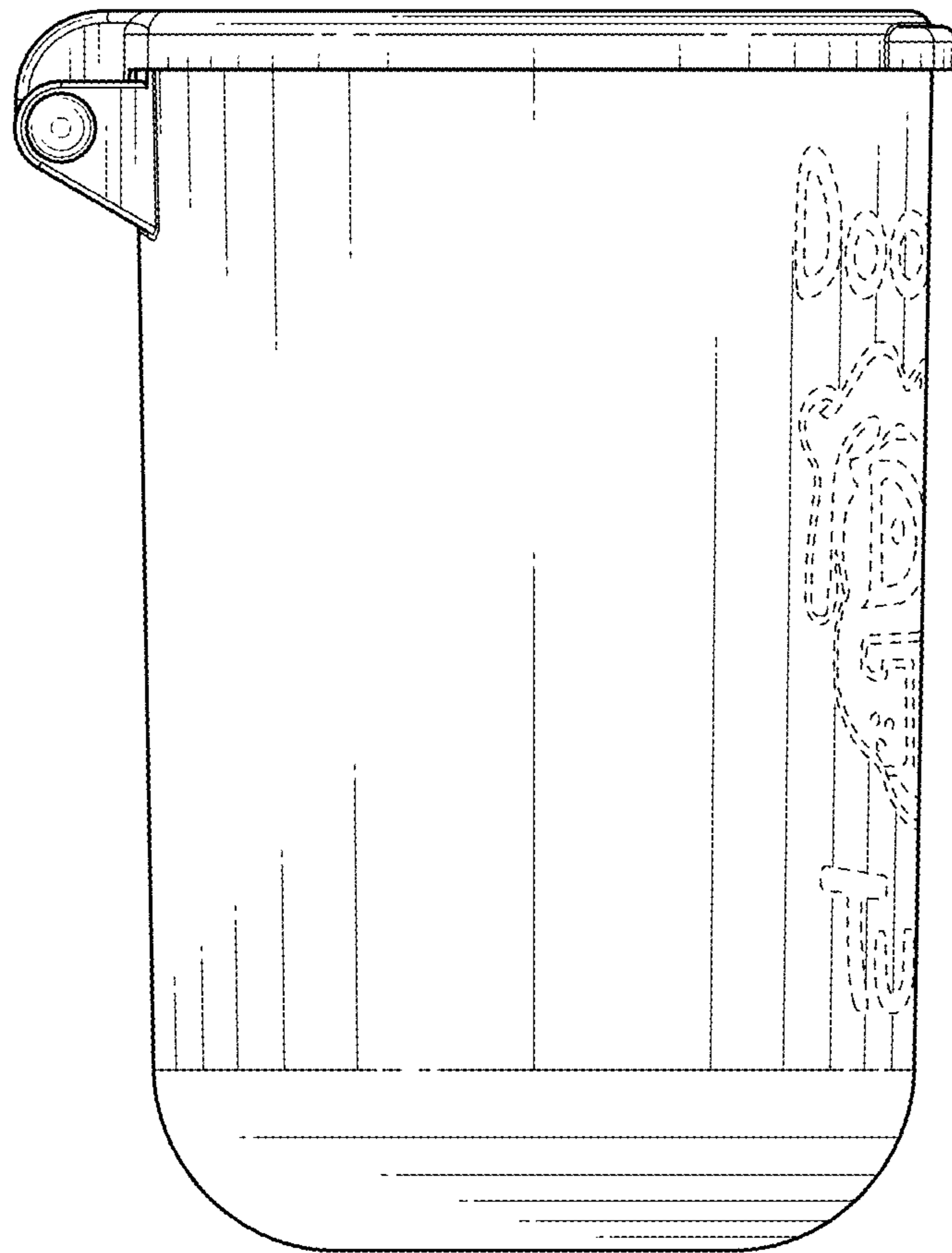


FIG. 6



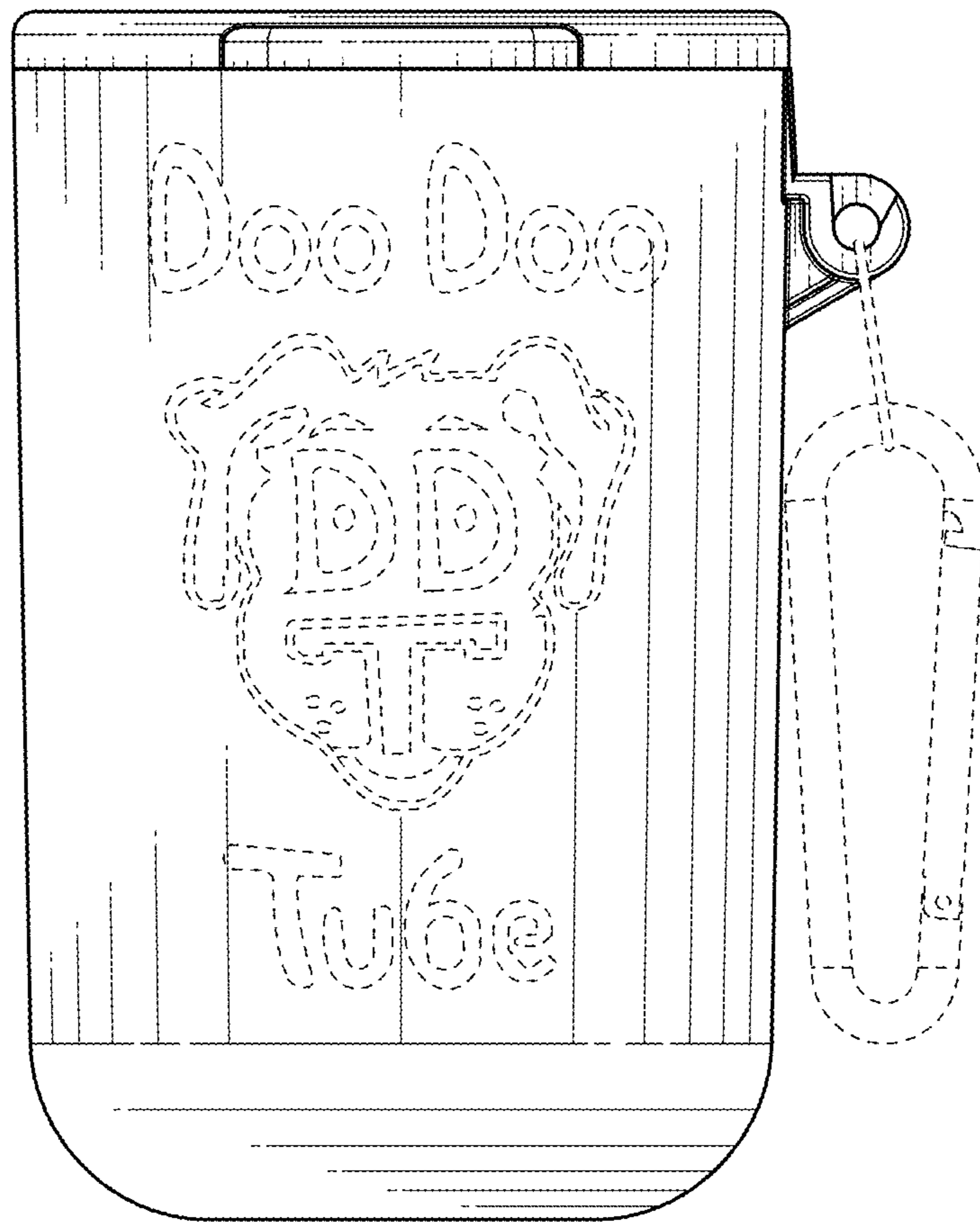


FIG. 7

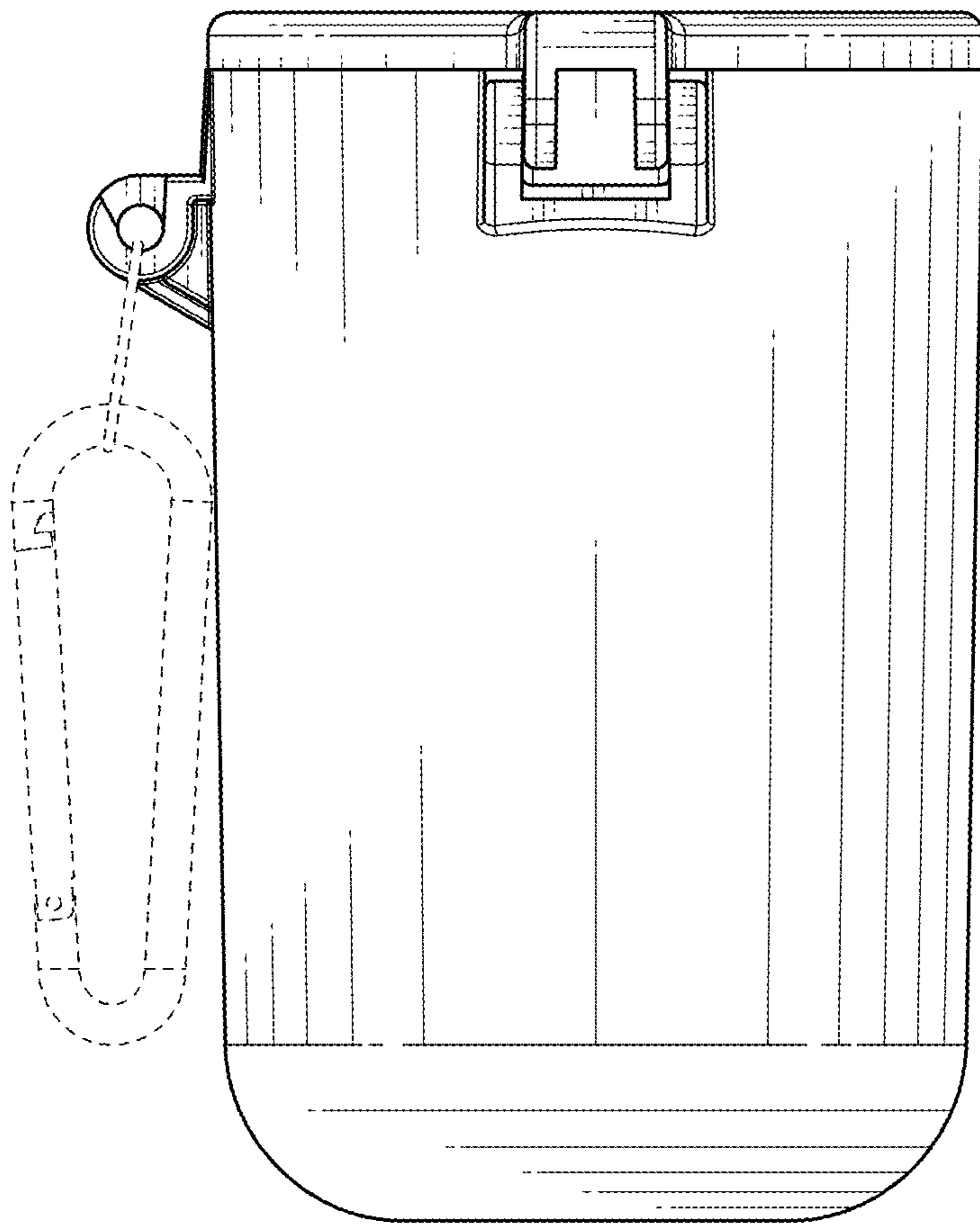


FIG. 8

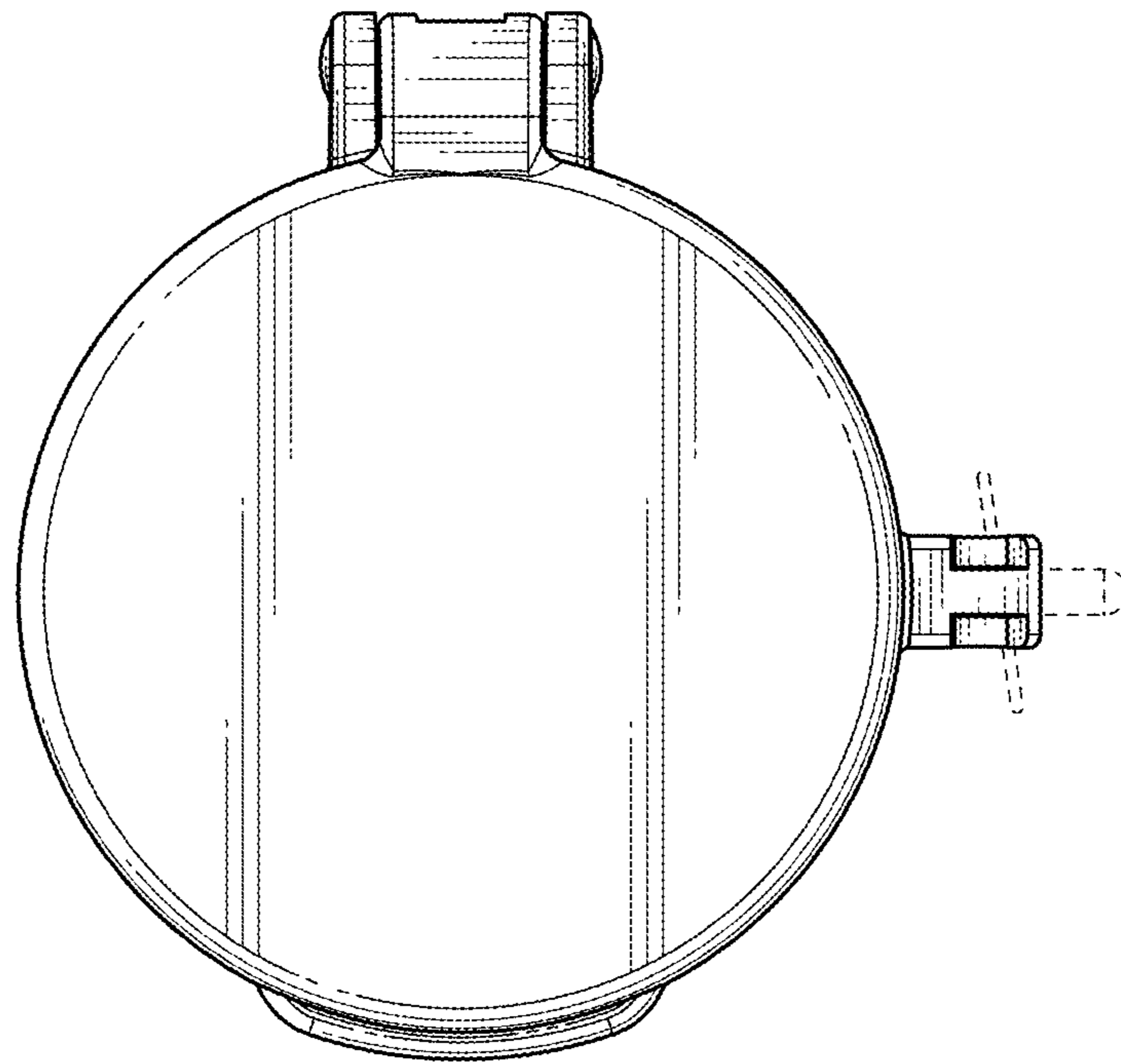


FIG. 9

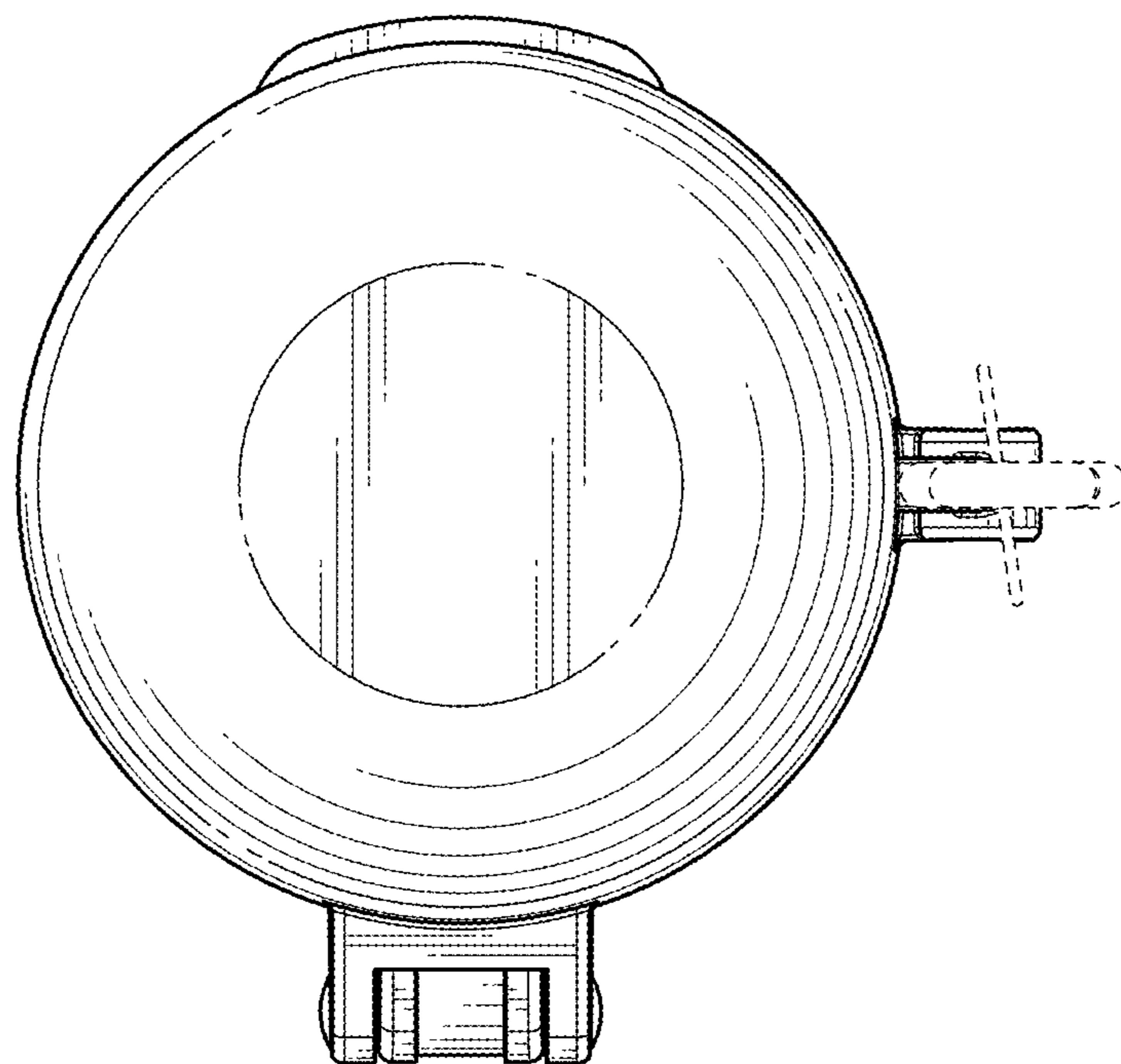


FIG. 10