



US00D815773S

(12) **United States Design Patent**
Ellis et al.

(10) **Patent No.:** **US D815,773 S**
(45) **Date of Patent:** **** Apr. 17, 2018**

(54) **LAMP**

(71) Applicant: **NEOZ PTY LTD**, Terrey Hills, New South Wales (AU)

(72) Inventors: **Peter Ellis**, Terrey Hills (AU); **Gabriel Tam**, Terrey Hills (AU)

(73) Assignee: **NEOZ PTY LTD**, Terrey Hills, New South Wales (AU)

(**) Term: **15 Years**

(21) Appl. No.: **29/573,828**

(22) Filed: **Aug. 10, 2016**

(30) **Foreign Application Priority Data**

Feb. 19, 2016 (AU) 201610886

(51) **LOC (11) Cl.** **26-99**

(52) **U.S. Cl.**
USPC **D26/106**

(58) **Field of Classification Search**
USPC D26/1, 24, 93, 106, 107, 110
CPC B60Q 1/04; B60Q 1/26; F21S 8/026; F21S 8/04; F21V 29/004; F21V 21/02; F21V 21/04; F21V 29/2212; F21V 37/002; F21V 7/00; F21V 29/83; F21V 7/22

See application file for complete search history.

(56) **References Cited**

U.S. PATENT DOCUMENTS

D355,725 S * 2/1995 Roberts, III D26/109
D617,039 S * 6/2010 Sabernig D26/104

* cited by examiner

Primary Examiner — Brian N. Vinson

(74) *Attorney, Agent, or Firm* — Lewis Roca Rothgerber Christie LLP

(57) **CLAIM**

The ornamental design for lamp, as shown and described.

DESCRIPTION

FIG. 1 is a perspective view, from above right, of the lamp; FIG. 2 is a perspective view, from below right, thereof; FIG. 3 is a left side view thereof; FIG. 4 is a right side view thereof; FIG. 5 is a front view thereof; FIG. 6 is a top view thereof; and, FIG. 7 is a bottom view thereof.

The broken lines represent portions of the lamp which form no part of the claimed design.

1 Claim, 7 Drawing Sheets

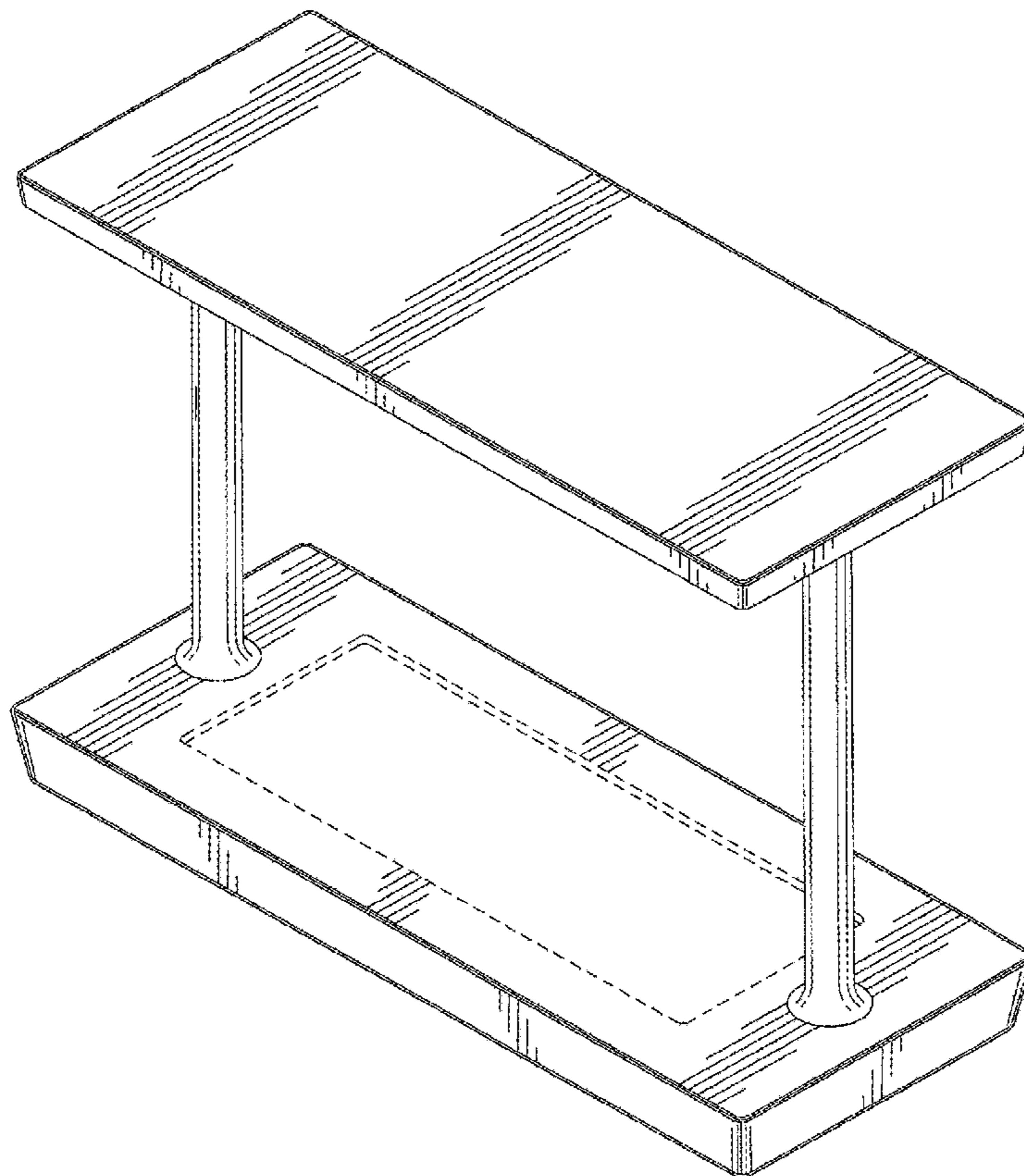


FIG. 1

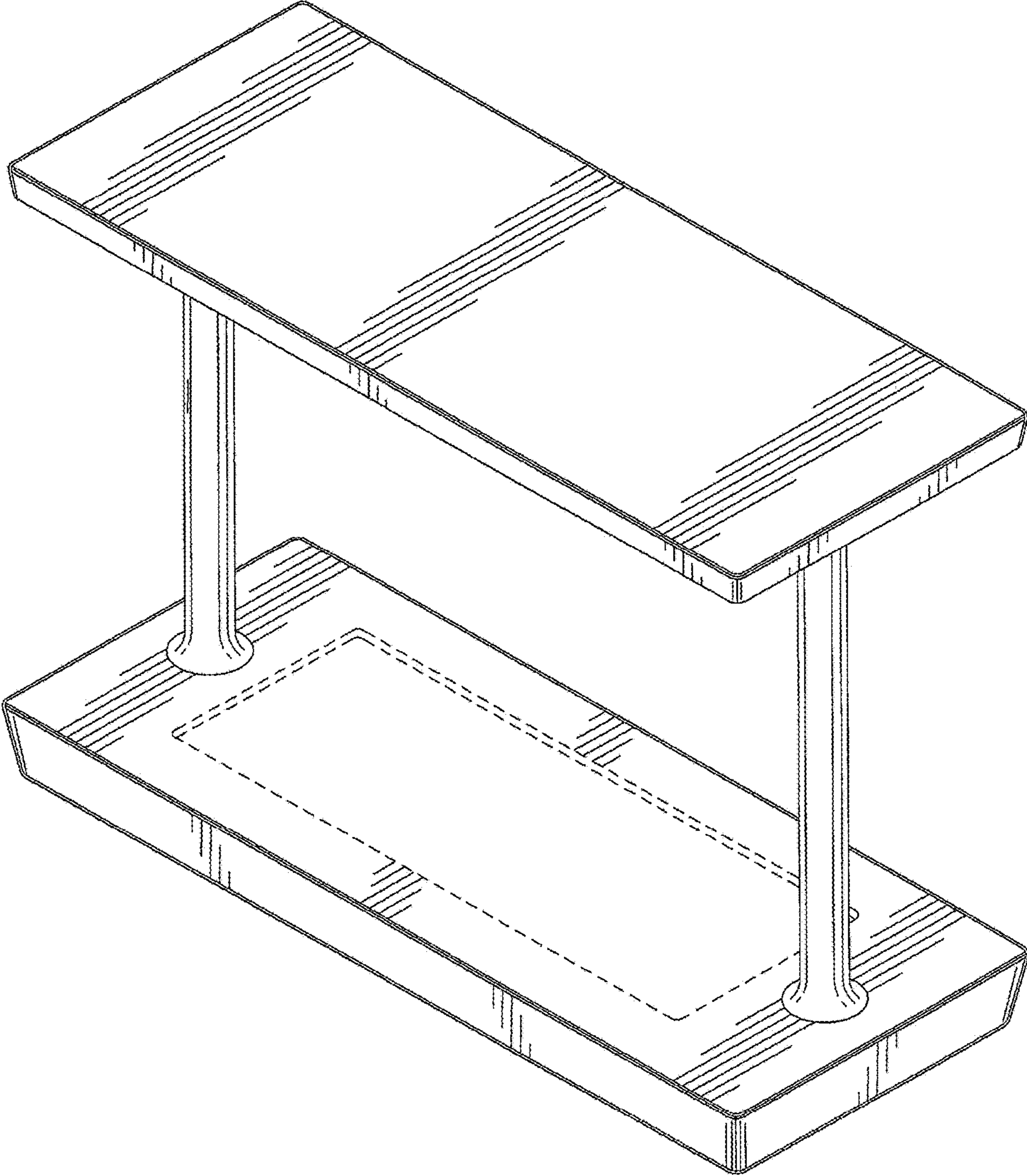


FIG. 2

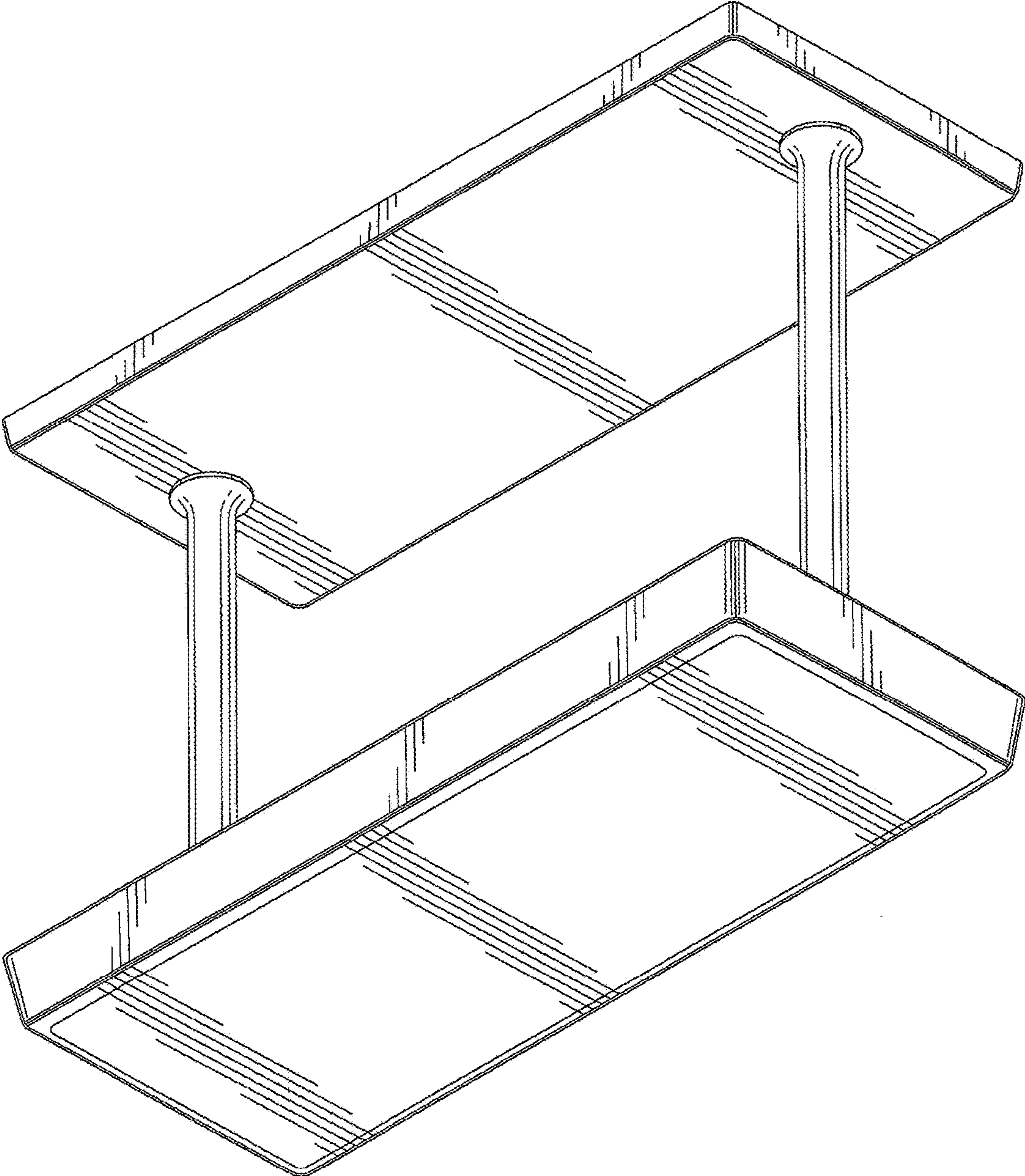


FIG. 3

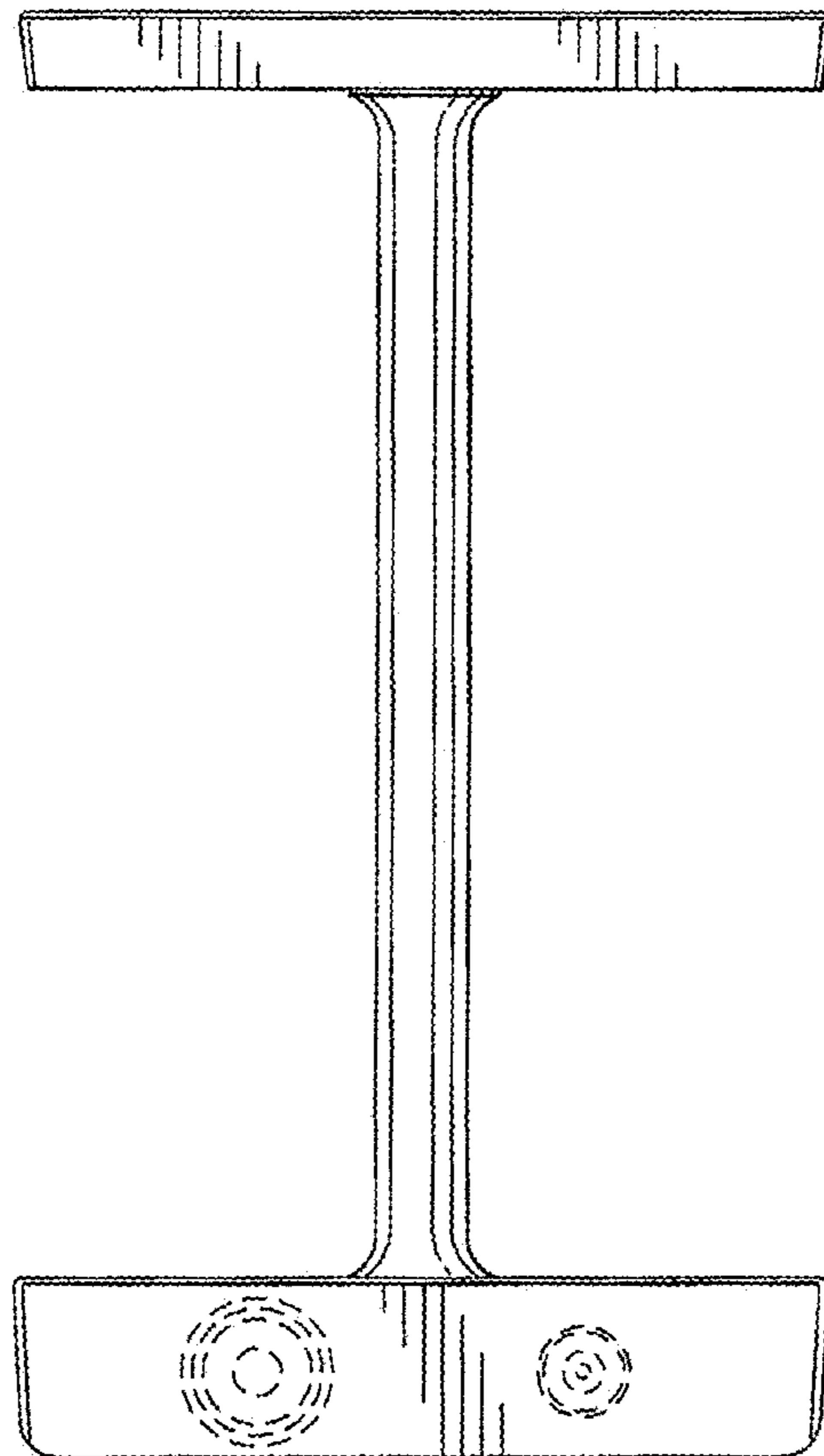


FIG. 4

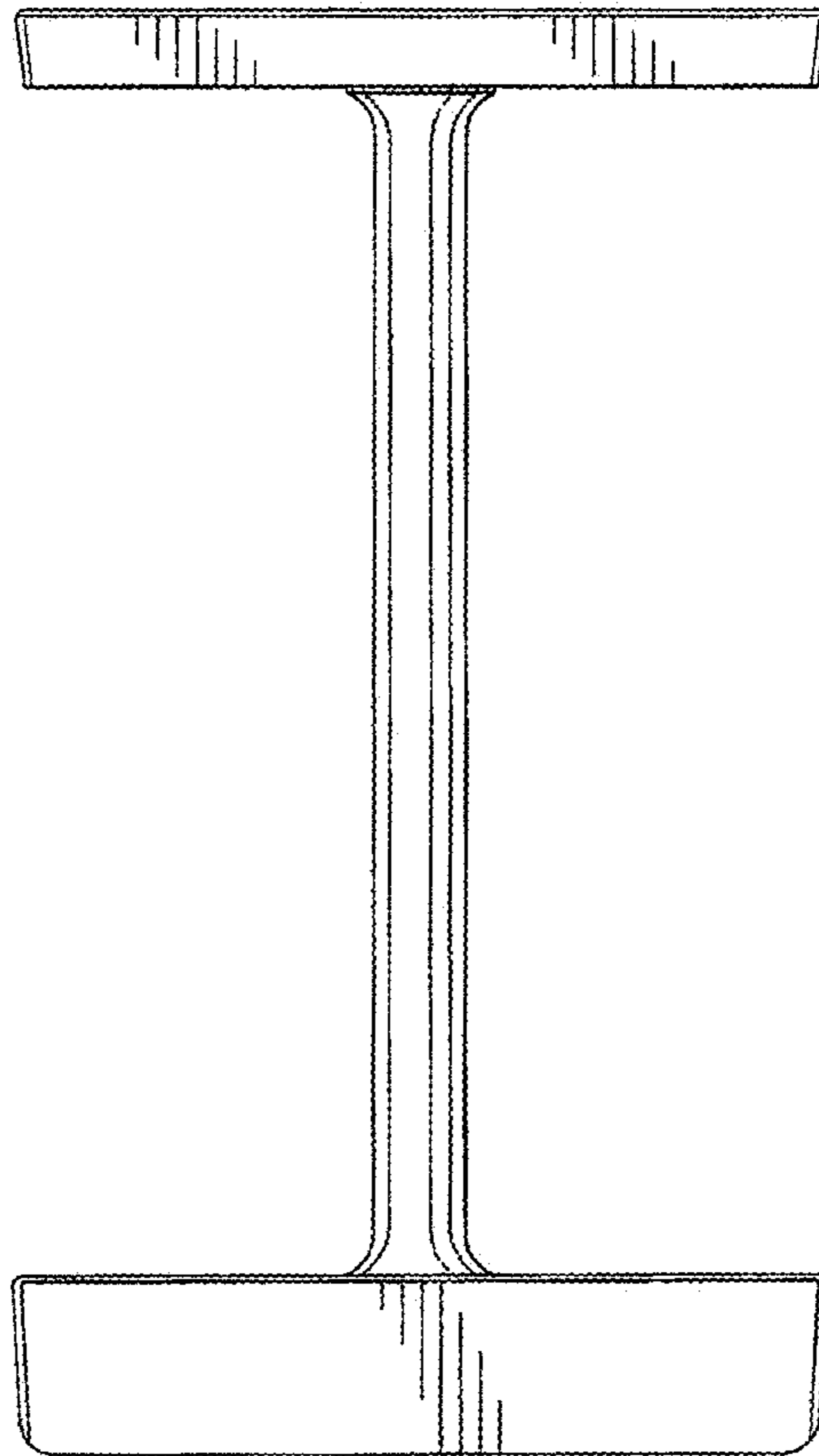


FIG. 5

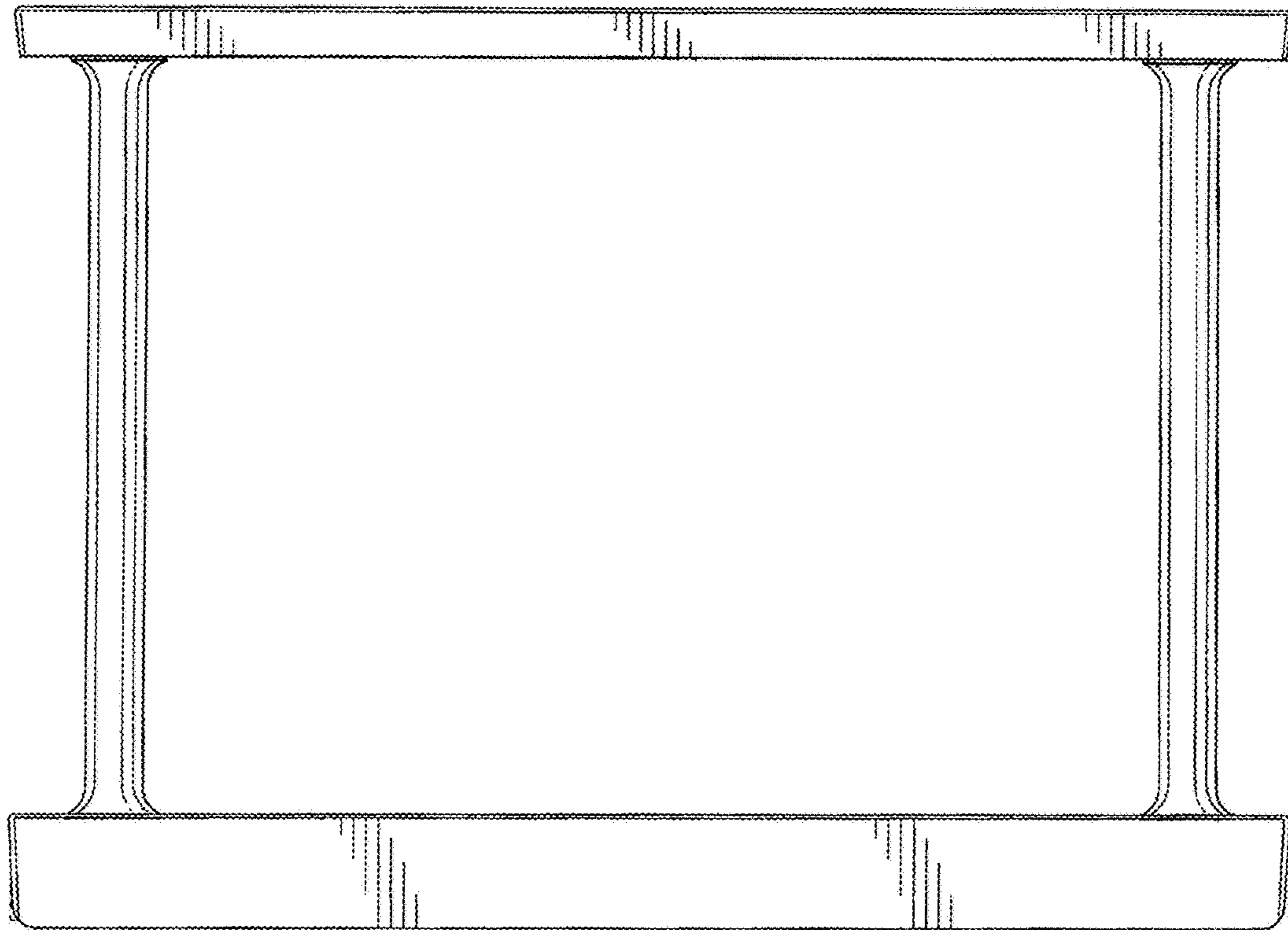


FIG. 6

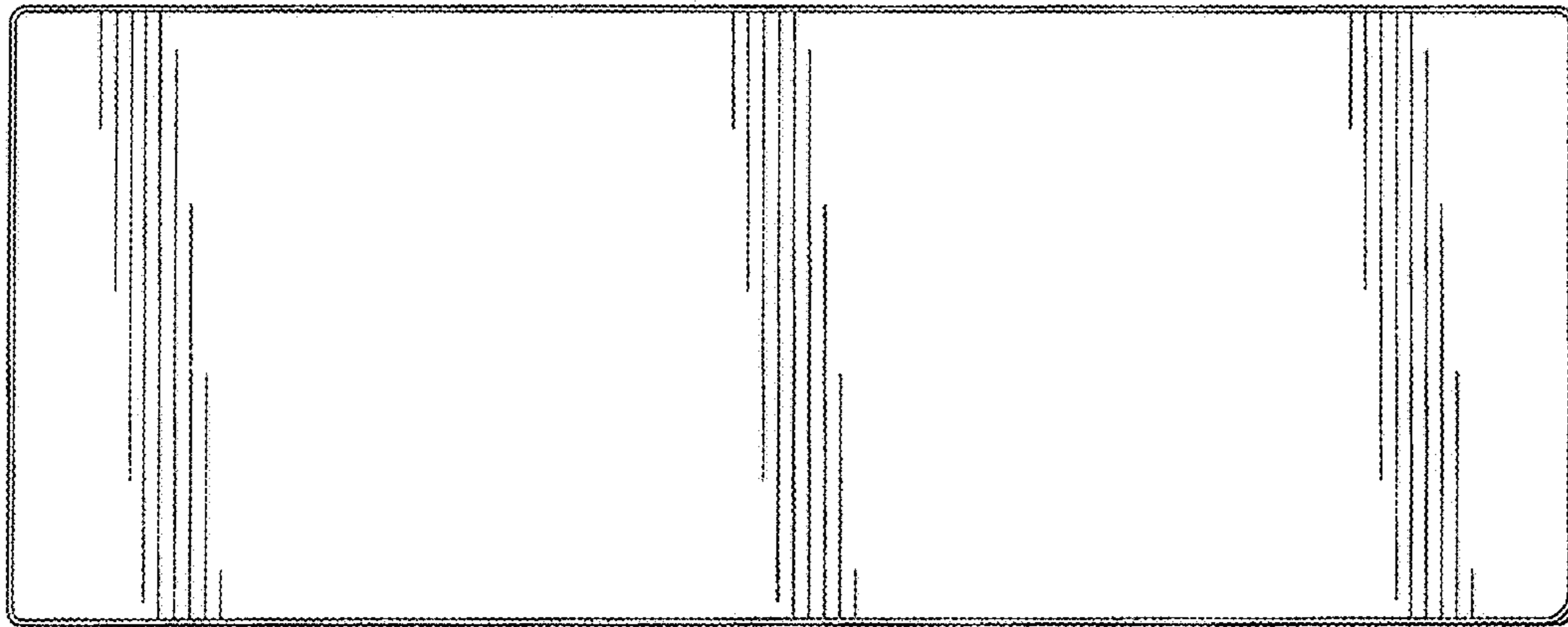


FIG. 7

