



US00D815771S

(12) **United States Design Patent** (10) **Patent No.:** **US D815,771 S**  
**Lee** (45) **Date of Patent:** **\*\* Apr. 17, 2018**

(54) **LED LIGHTING FIXTURE**  
(71) Applicant: **Seung Sang Lee**, Los Angeles, CA (US)  
(72) Inventor: **Seung Sang Lee**, Los Angeles, CA (US)  
(\*\*) Term: **14 Years**  
(21) Appl. No.: **29/509,627**  
(22) Filed: **Nov. 19, 2014**  
(51) **LOC (11) Cl.** ..... **26-03**  
(52) **U.S. Cl.**  
USPC ..... **D26/80**  
(58) **Field of Classification Search**  
USPC ..... D26/60, 72, 76-78, 80  
CPC ..... F21S 4/003; F21S 4/008; F21V 33/00;  
F21V 33/002; F21V 33/0032  
See application file for complete search history.

D450,874 S \* 11/2001 Heiny ..... D26/76  
6,808,285 B2 \* 10/2004 Shemitz ..... A47F 11/10  
362/125  
D532,143 S \* 11/2006 Woertler ..... D26/80  
D537,186 S \* 2/2007 Weddell ..... D26/80  
7,976,202 B2 \* 7/2011 Villard ..... F21K 9/00  
362/249.06  
D653,791 S \* 2/2012 Toyohisa ..... D26/80  
D670,422 S \* 11/2012 Siekmann ..... D26/76  
8,579,473 B2 \* 11/2013 Holten ..... F21S 4/003  
362/297  
8,678,616 B2 \* 3/2014 Marquardt ..... A47F 3/001  
362/235  
8,864,334 B2 \* 10/2014 Swafford, Jr. .... A47F 11/10  
362/133  
9,200,788 B2 \* 12/2015 Ferrie ..... F21V 21/005  
9,222,645 B2 \* 12/2015 Breslow ..... A47F 3/001

(Continued)

*Primary Examiner* — Clare E Heflin  
(74) *Attorney, Agent, or Firm* — East West Law Group;  
Heedong Chae

(57) **CLAIM**

The ornamental design for an LED lighting fixture, as shown and described.

(56) **References Cited**

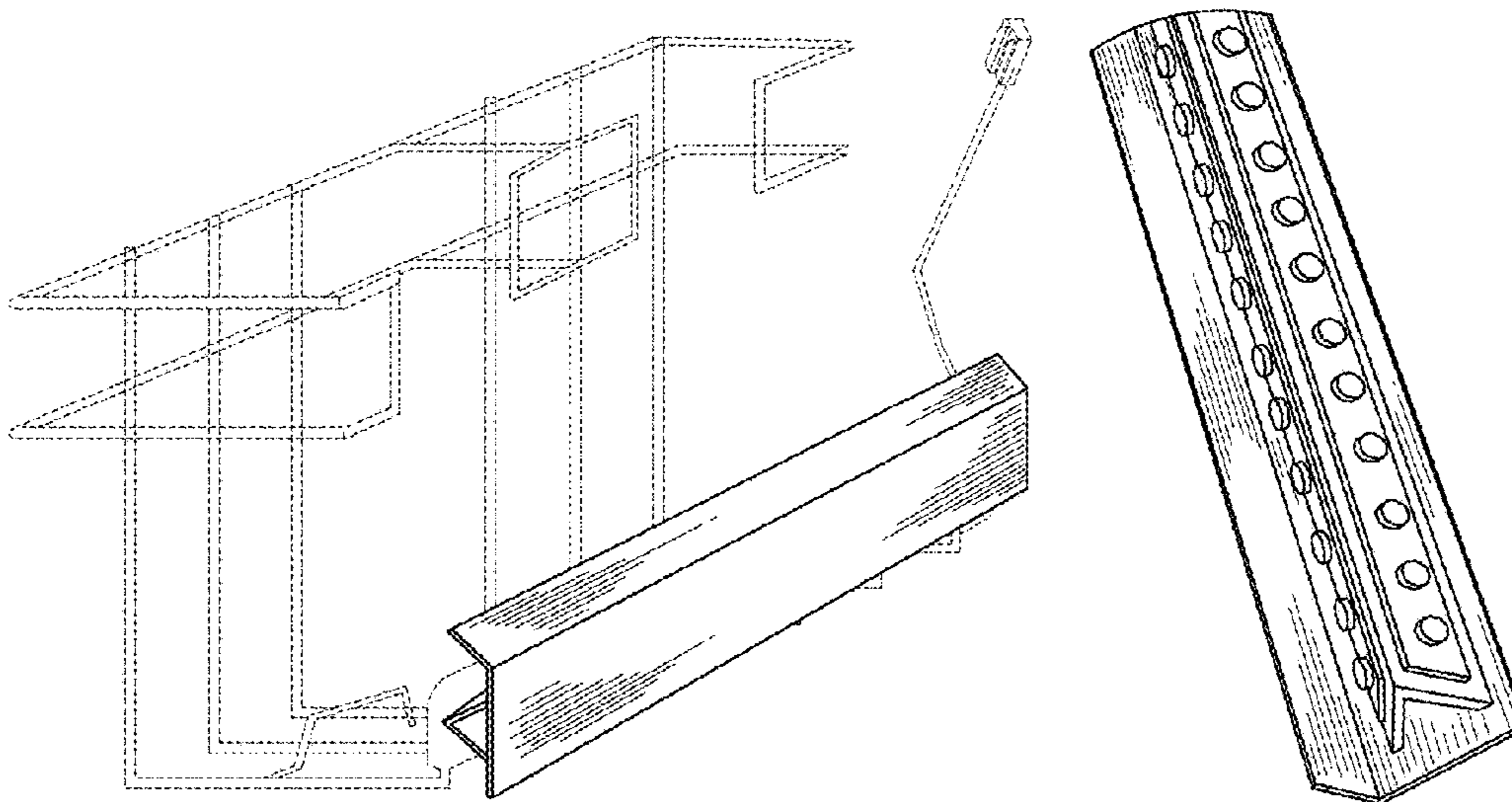
U.S. PATENT DOCUMENTS

1,149,140 A \* 8/1915 Hess ..... A47F 3/001  
362/125  
D110,198 S \* 6/1938 Stewart ..... D26/76  
D128,968 S \* 8/1941 Scribner ..... 362/219  
D134,531 S \* 12/1942 Kotcher ..... D26/78  
D173,841 S \* 1/1955 Franks ..... D26/60  
3,530,288 A \* 9/1970 Willinger ..... A01K 63/06  
362/394  
D238,296 S \* 12/1975 Trimarchi ..... D26/78  
4,521,838 A \* 6/1985 Agabekov ..... F21S 4/20  
362/219  
4,598,341 A \* 7/1986 Brackhahn ..... A47F 3/001  
362/125  
4,748,545 A \* 5/1988 Schmitt ..... F21S 8/00  
362/219  
5,437,504 A \* 8/1995 Halvatzis ..... A47F 3/001  
312/223.5  
D428,105 S \* 7/2000 Holcombe ..... D22/134

**DESCRIPTION**

FIG. 1 is a top perspective view of the LED lighting fixture showing my new design;  
FIG. 2 is a top view thereof;  
FIG. 3 is a bottom view thereof;  
FIG. 4 is a another perspective view thereof;  
FIG. 5 is a rear perspective view thereof;  
FIG. 6 is an enlarged cross-sectional view thereof taken along the line 6-6 in FIG. 3; and,  
FIG. 7 is an enlarged fragmentary perspective view thereof, taken within the circle 7 in FIG. 5.  
The broken line showing of environment is for illustrative purposes only and forms no part of the claimed design.

**1 Claim, 7 Drawing Sheets**



(56)

**References Cited**

U.S. PATENT DOCUMENTS

2005/0265019	A1 *	12/2005	Sommers .....	A47F 3/001
				362/217.16
2011/0310598	A1 *	12/2011	Swafford, Jr. ....	A47F 3/001
				362/217.02

\* cited by examiner

FIG. 1

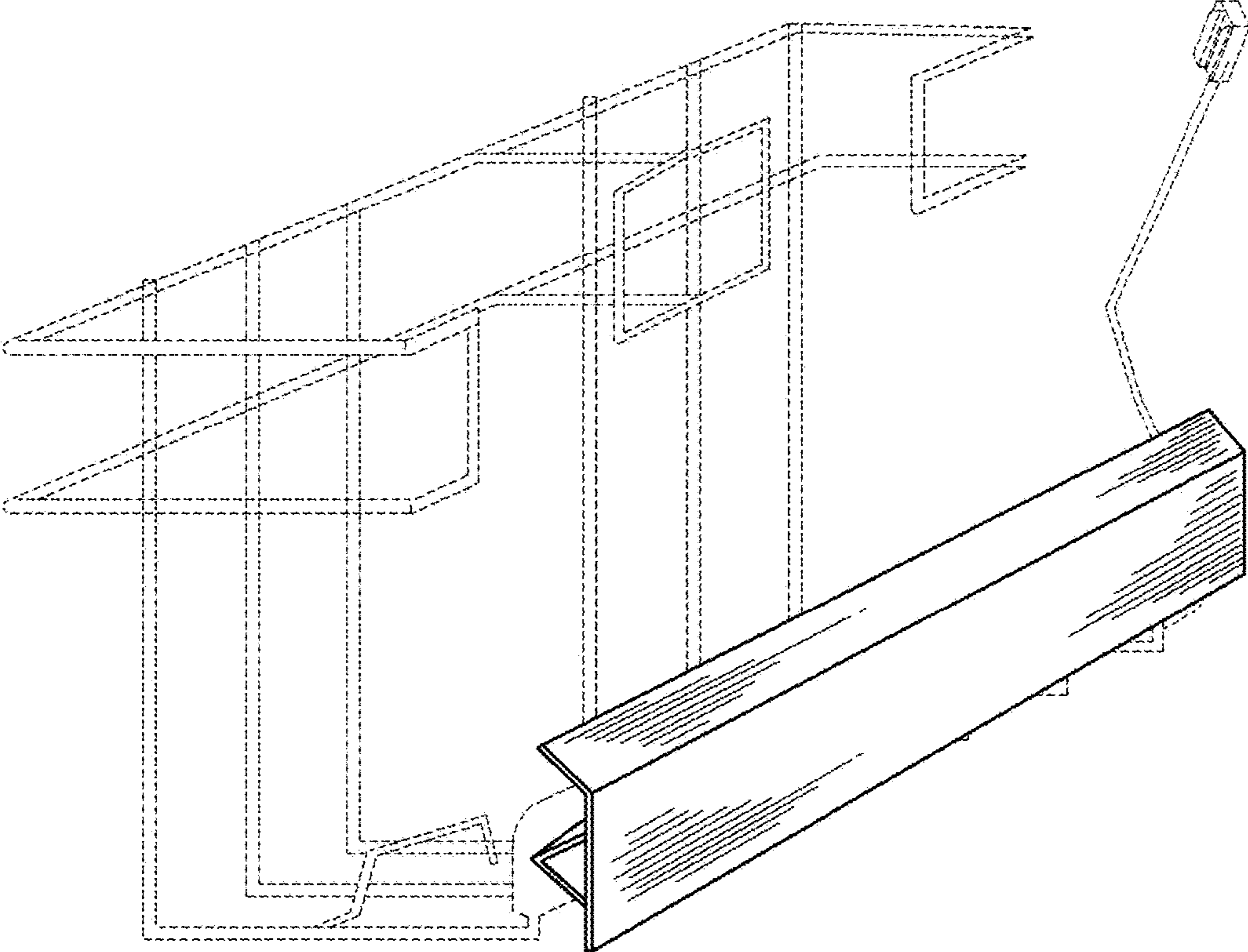


FIG. 2

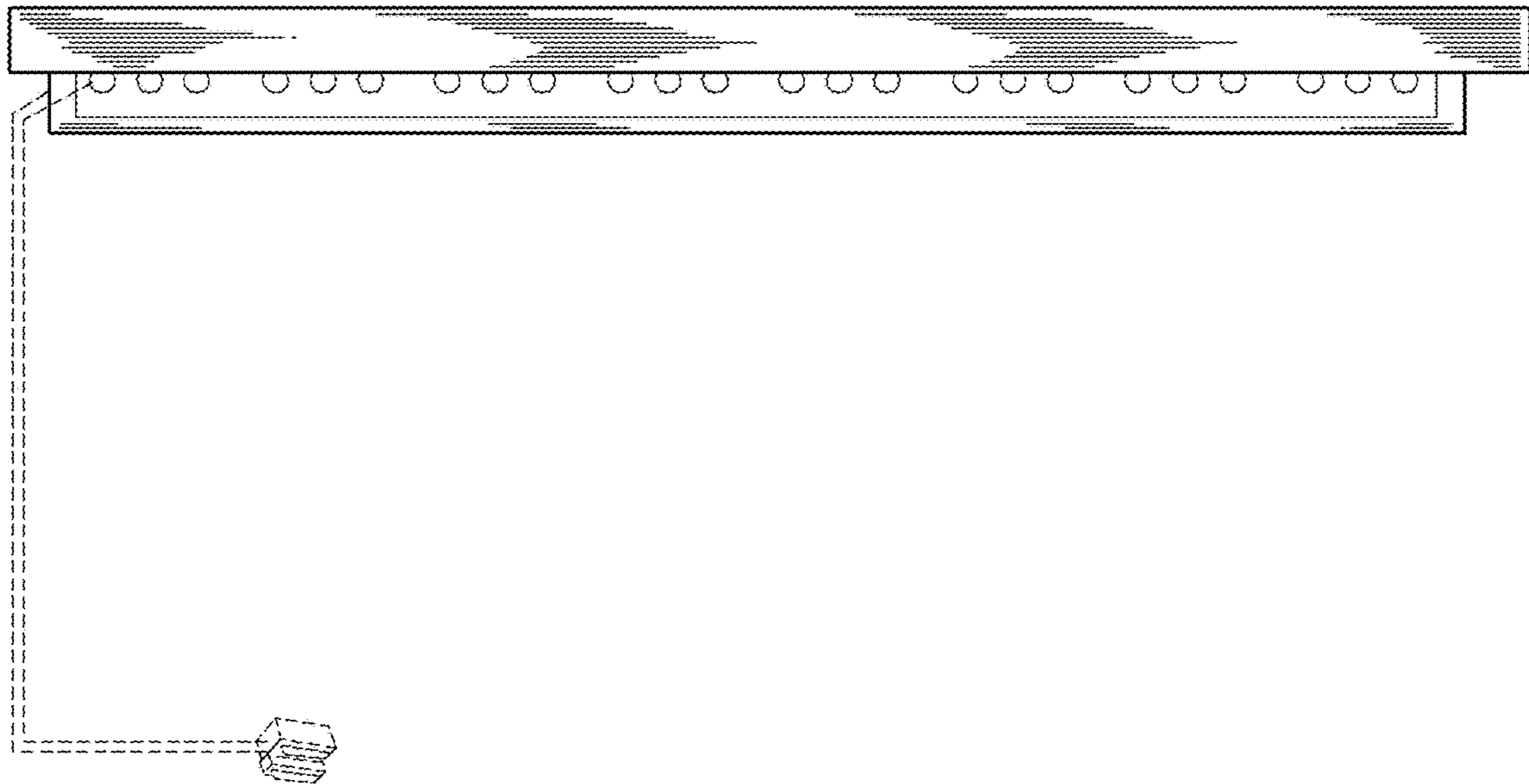


FIG. 3

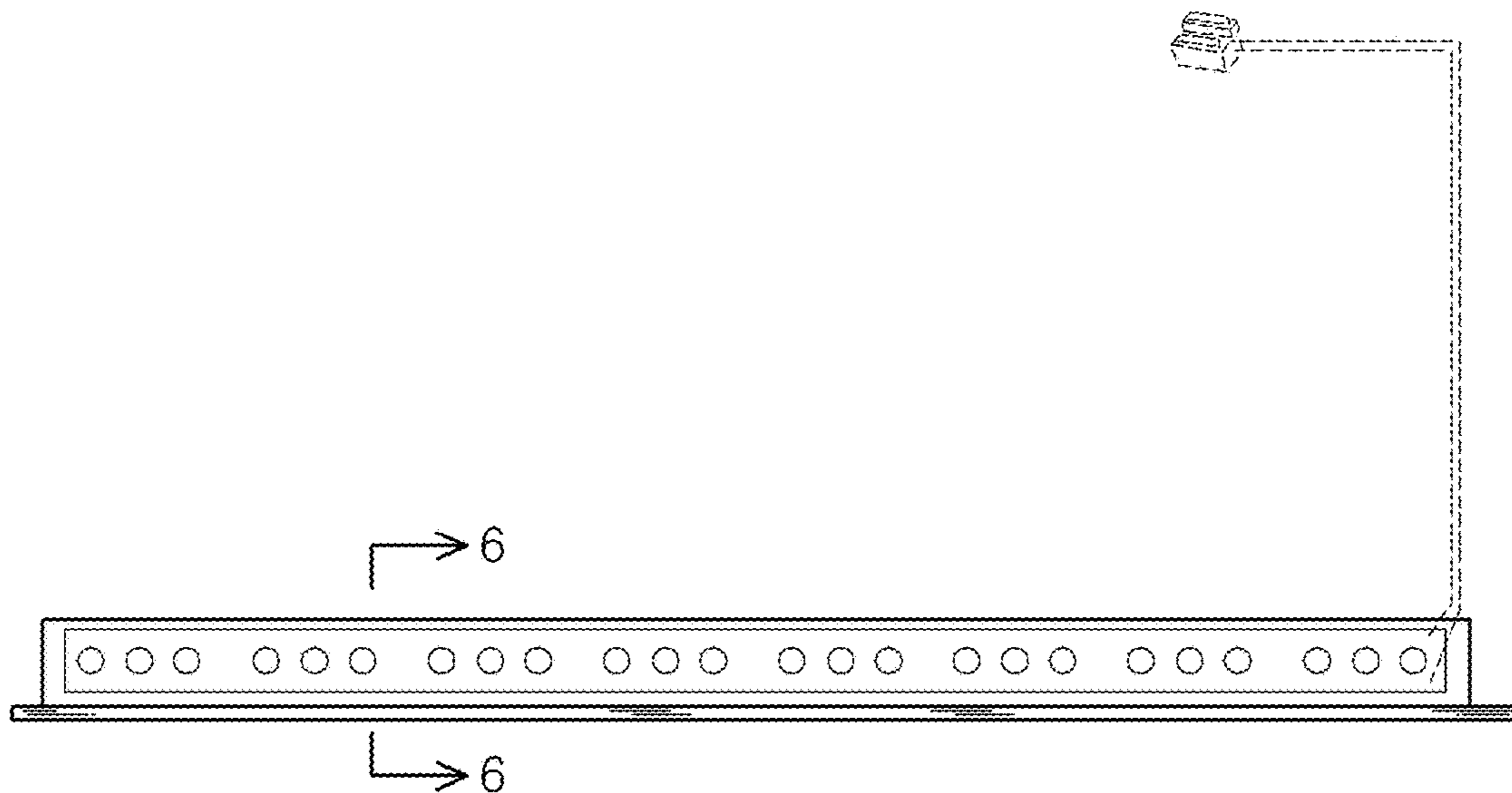


FIG. 4

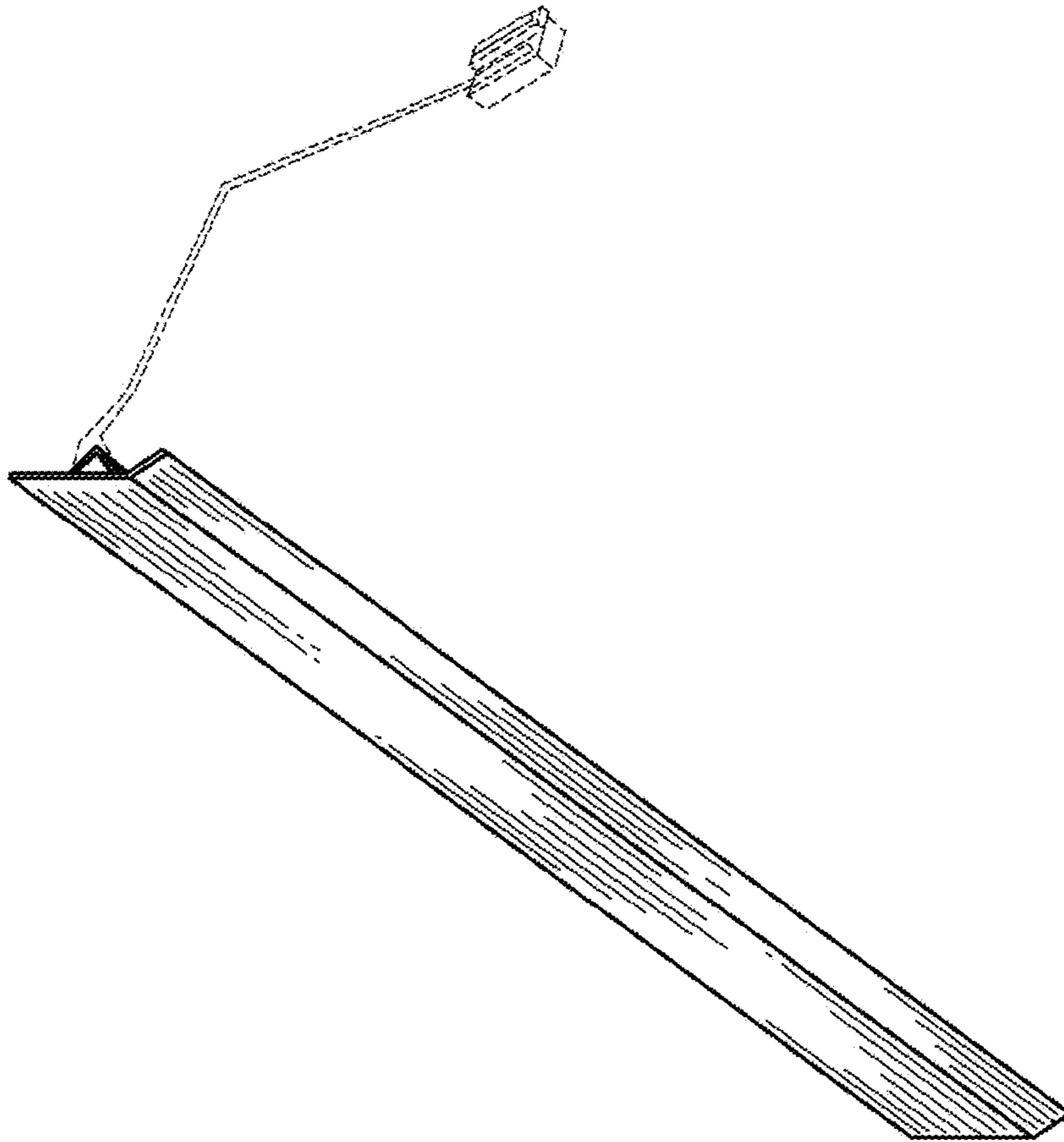


FIG. 5

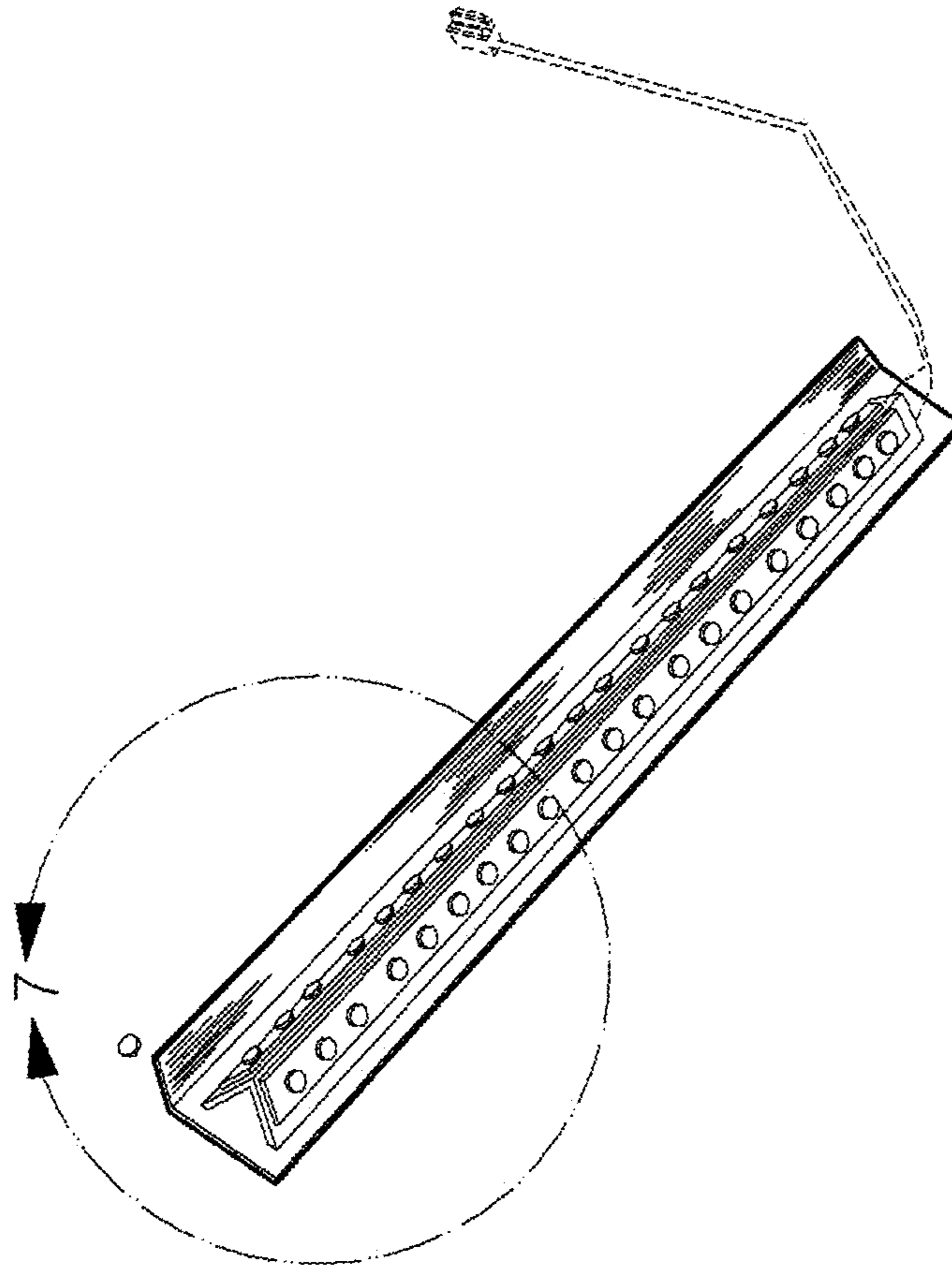


FIG. 6

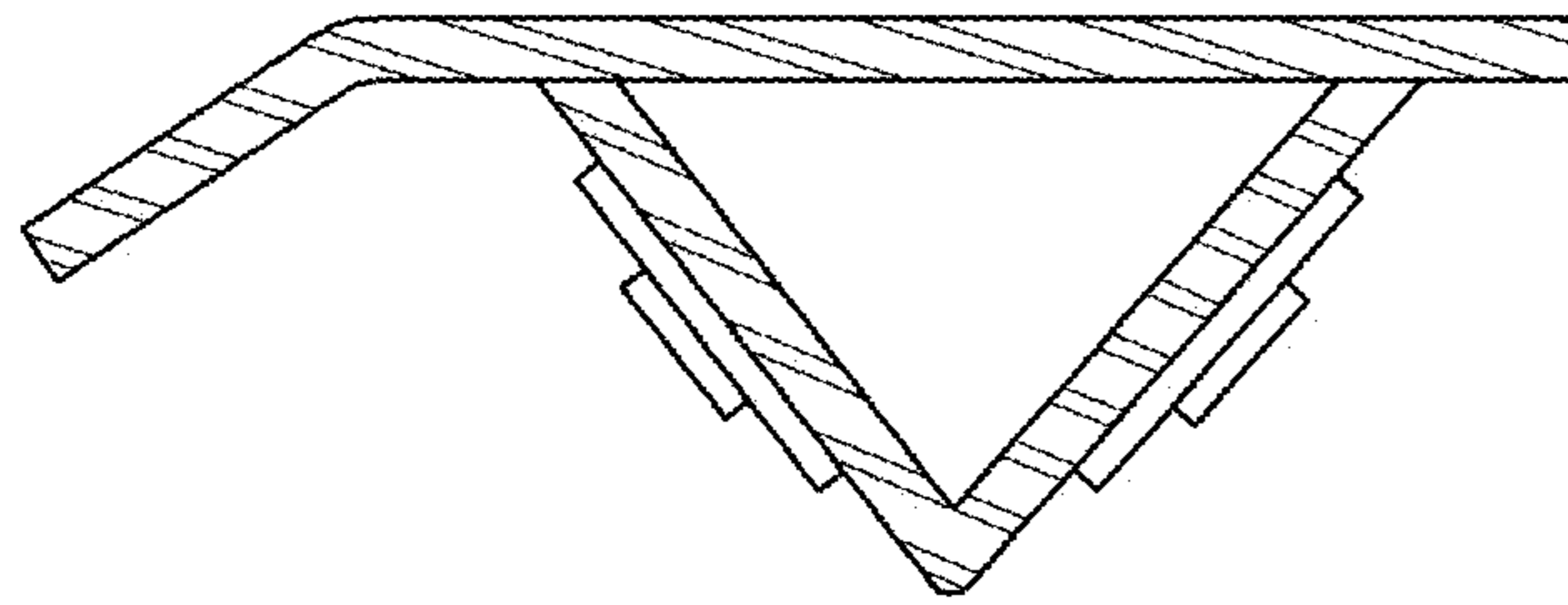




FIG. 7

