



US00D815770S

(12) **United States Design Patent**  
**Galipeau et al.**

(10) **Patent No.:** **US D815,770 S**

(45) **Date of Patent:** **\*\* Apr. 17, 2018**

(54) **LUMINAIRE**

(71) Applicant: **PHILIPS LIGHTING HOLDING B.V.**, Eindhoven (NL)

(72) Inventors: **Guy Galipeau**, Boisbriand (CA); **Sergio Jurdana**, Blainville (CA); **Alexandre Plomteux**, Montreal (CA); **Jonathan Hardy**, Laval (CA); **Michel Fortin**, Sainte-Marthe sur le Lac (CA); **Jean-Francois Duquette**, Kirkland (CA); **David Cavaliere**, Prevost (CA)

(73) Assignee: **PHILIPS LIGHTING HOLDING B.V.**, Eindhoven (NL)

(\*\*) Term: **15 Years**

(21) Appl. No.: **29/551,829**

(22) Filed: **Jan. 18, 2016**

(51) **LOC (11) Cl.** ..... **26-05**

(52) **U.S. Cl.**  
USPC ..... **D26/68**

(58) **Field of Classification Search**  
USPC ..... D26/63, 67-70; D10/113.2  
CPC .... F21S 8/08; F21S 8/081; F21S 8/083; F21S 8/088; F21S 9/03; F21S 9/032; F21S 9/035; F21S 9/037; F21W 2131/109; F21W 2111/023; F21V 21/0824  
See application file for complete search history.

(56) **References Cited**

**U.S. PATENT DOCUMENTS**

D284,311 S	*	6/1986	Patel	.....	D26/67
D557,851 S	*	12/2007	Chen	.....	D26/67
D572,398 S	*	7/2008	Zhang	.....	D26/68
D654,201 S	*	2/2012	Chen	.....	D26/68
D670,017 S	*	10/2012	Tortel	.....	D26/135
D677,413 S	*	3/2013	Chen	.....	D26/67

2007/0285912	A1*	12/2007	Lin	.....	F21S 8/088 362/4
2008/0316747	A1*	12/2008	Lac	.....	F21V 11/02 362/290
2009/0268453	A1*	10/2009	Pearse	.....	F21V 7/0025 362/235
2010/0128475	A1*	5/2010	Kovalchick	.....	F21S 8/088 362/235
2011/0255280	A1*	10/2011	Chen	.....	F21L 14/00 362/235
2012/0281405	A1*	11/2012	Roth	.....	F21S 8/088 362/244
2013/0094198	A1*	4/2013	Lee	.....	F21L 4/00 362/217.05
2013/0094208	A1*	4/2013	Gill	.....	F21S 8/088 362/235
2013/0208454	A1*	8/2013	Chen	.....	F21S 9/035 362/183

(Continued)

*Primary Examiner* — Clare E Heflin

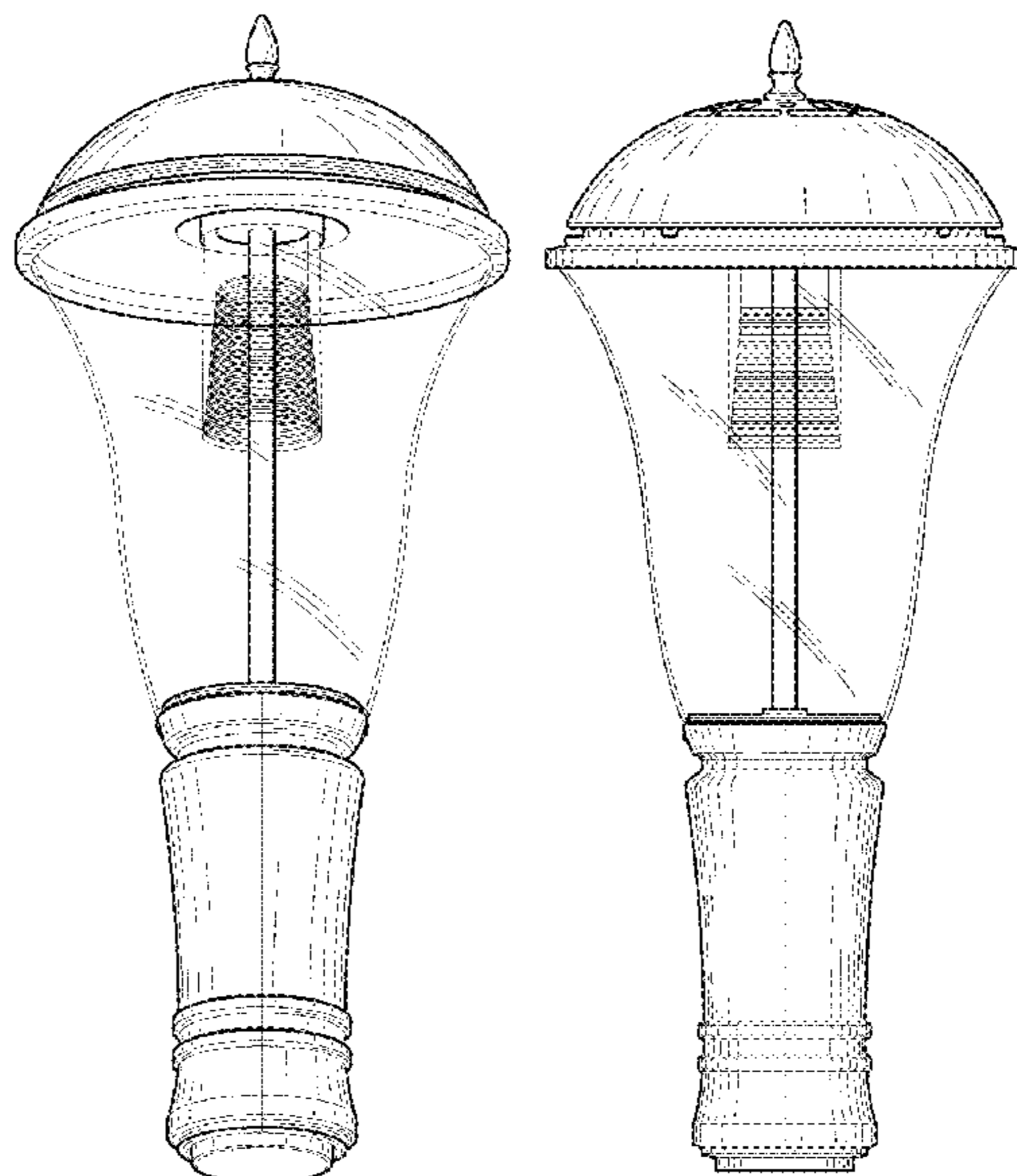
(57) **CLAIM**

The ornamental design for a luminaire, as shown and described.

**DESCRIPTION**

FIG. 1 is a top-down perspective view showing of a luminaire showing our new design;  
FIG. 2 is a bottom-up perspective view showing of a luminaire showing our new design;  
FIG. 3 is a front side elevational view thereof;  
FIG. 4 is a back elevational view thereof;  
FIG. 5 is a left side elevational view thereof;  
FIG. 6 is a right side elevational view thereof;  
FIG. 7 is a top plan view thereof; and,  
FIG. 8 is a bottom plan view thereof.  
The dash-dot-dash broken lines shown represent the bounds of the claim and forms no part thereof and the dashed broken lines shown therein illustrate portions of the luminaire that form no part of the claimed design.

**1 Claim, 5 Drawing Sheets**



(56)

**References Cited**

U.S. PATENT DOCUMENTS

2015/0176812 A1\* 6/2015 Xinzhou ..... F21S 9/037  
362/183  
2015/0211694 A1\* 7/2015 Camenzuli ..... F21L 4/08  
362/183  
2016/0033121 A1\* 2/2016 Kovalchick ..... F21V 29/76  
362/249.01

\* cited by examiner

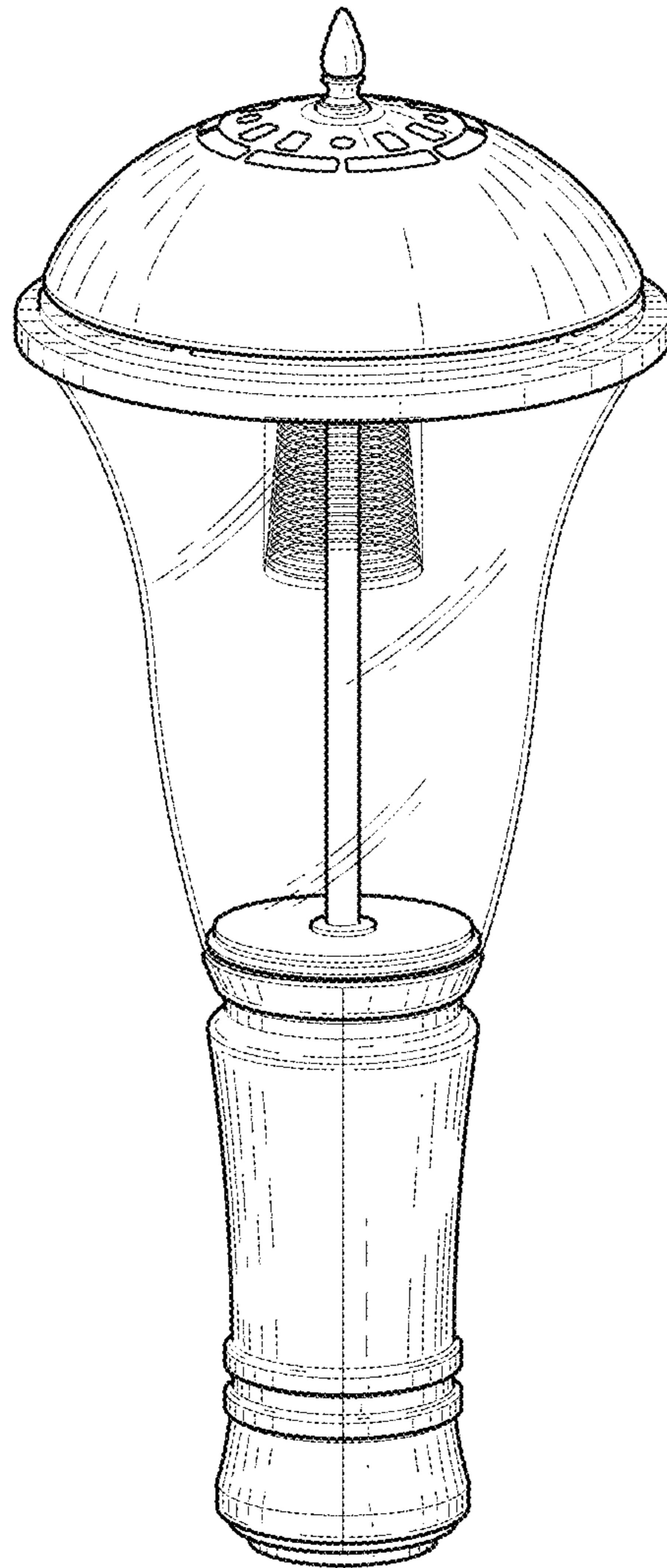


FIG. 1

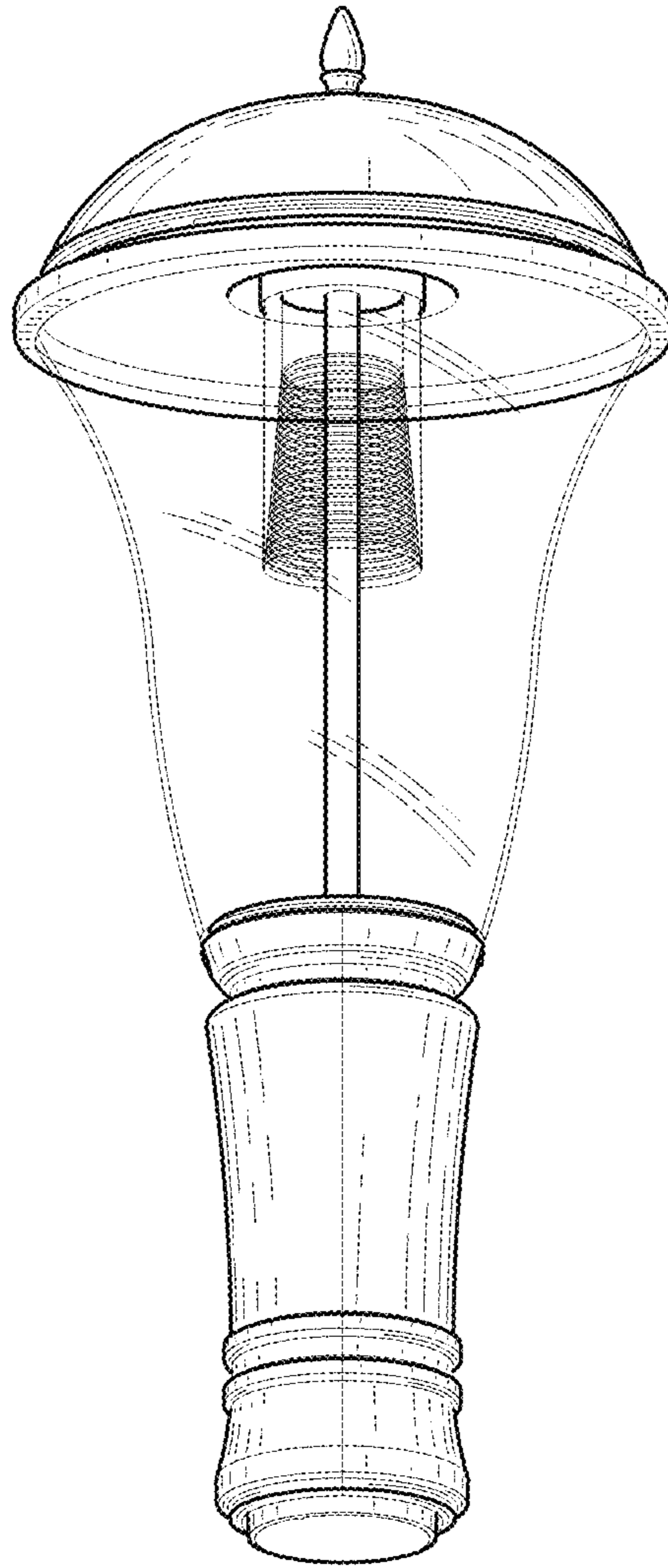


FIG. 2

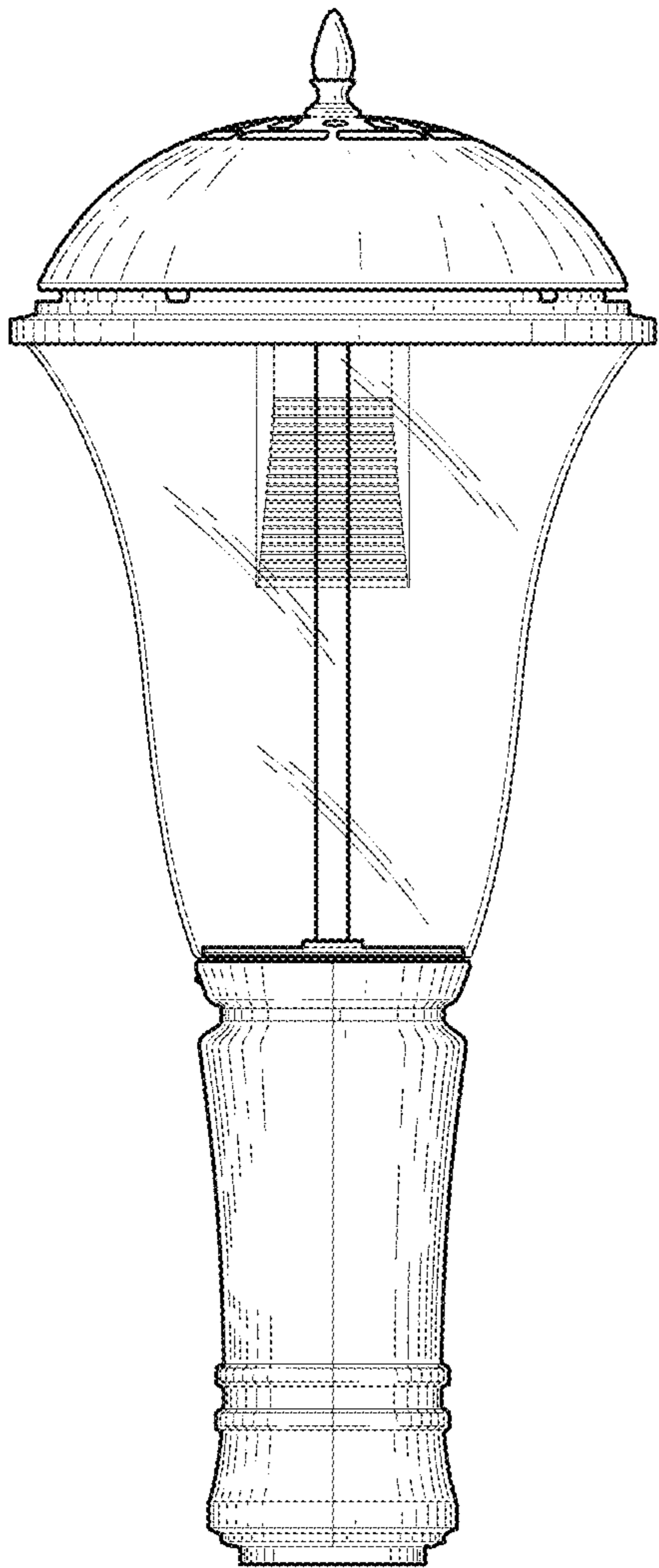


FIG. 3

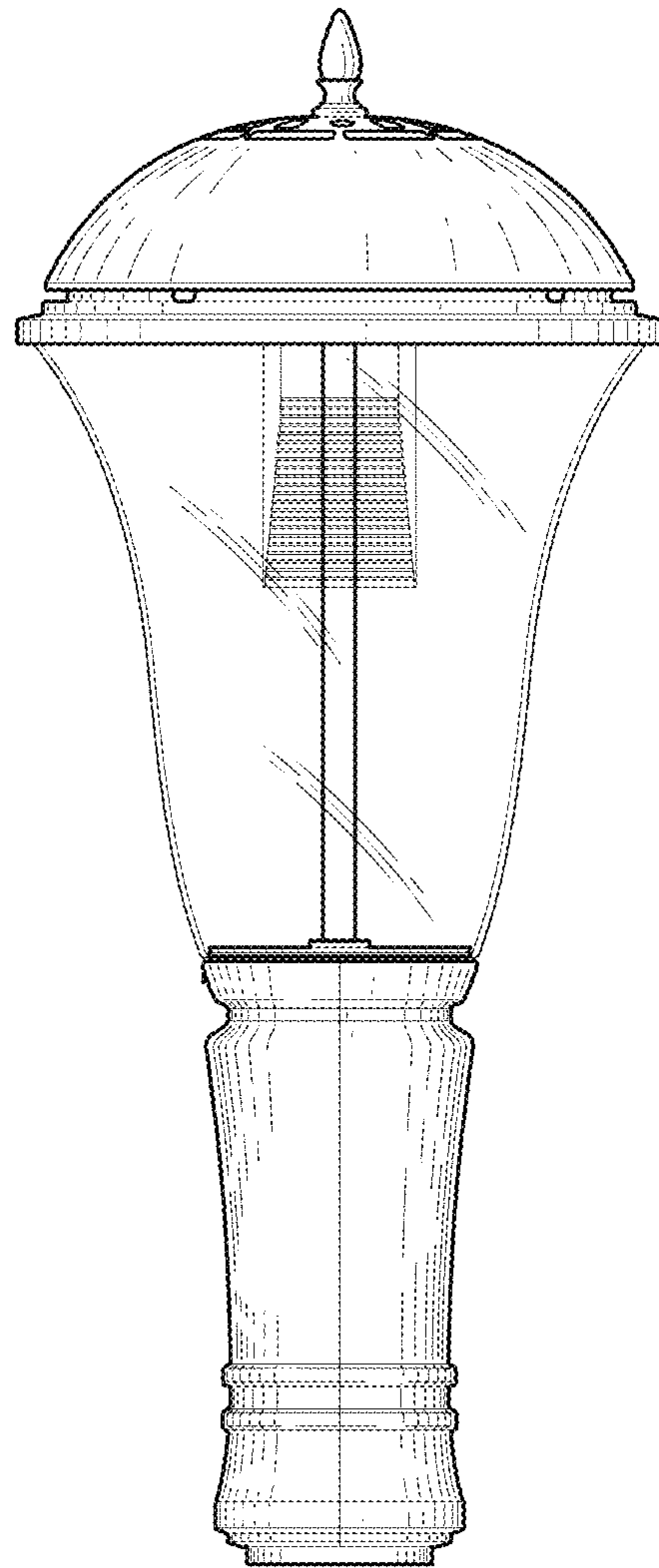


FIG. 4

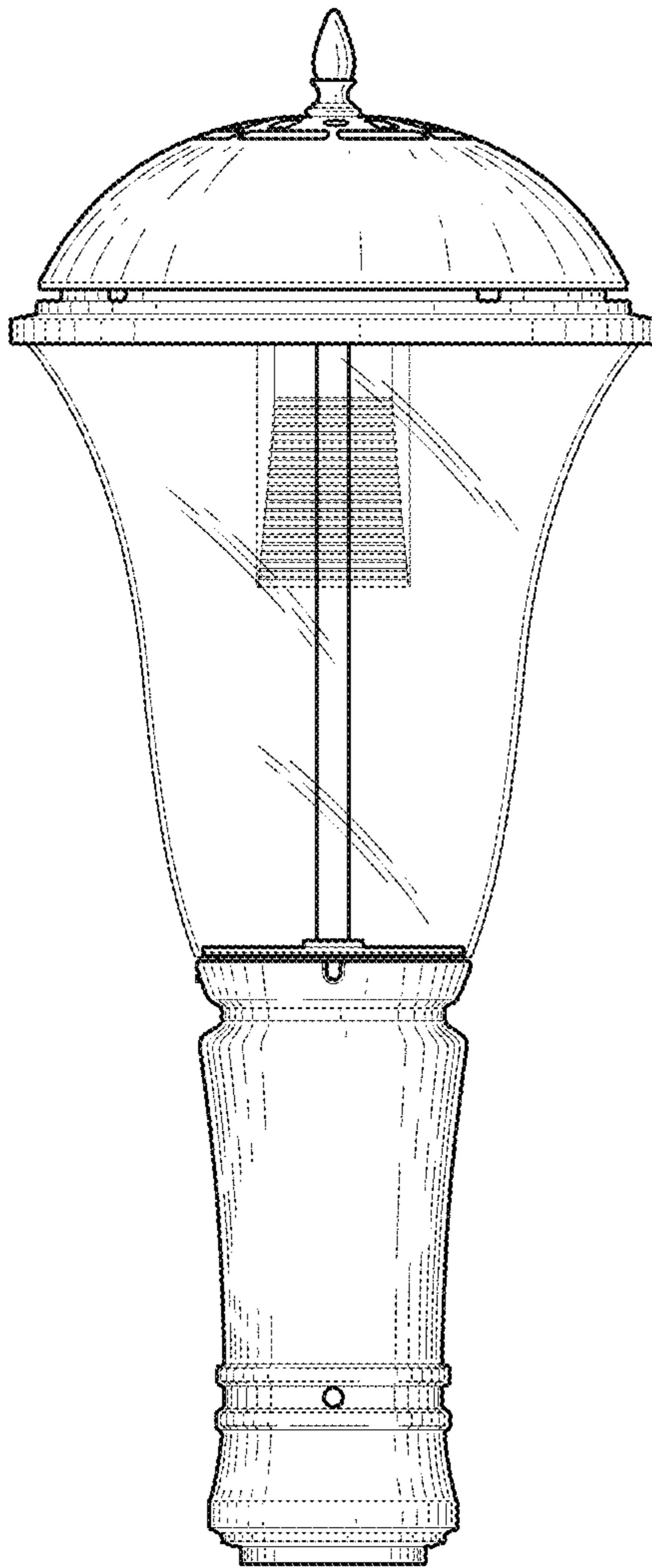


FIG. 5

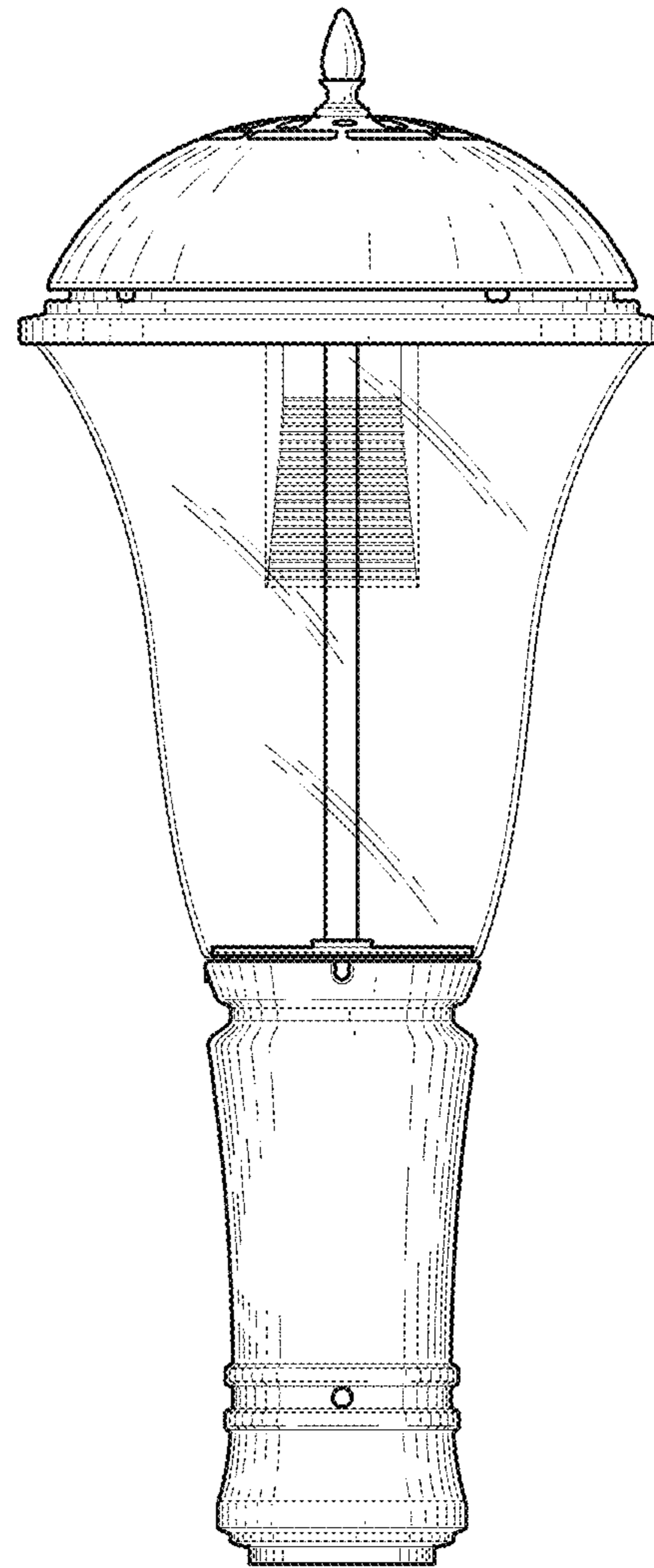


FIG. 6

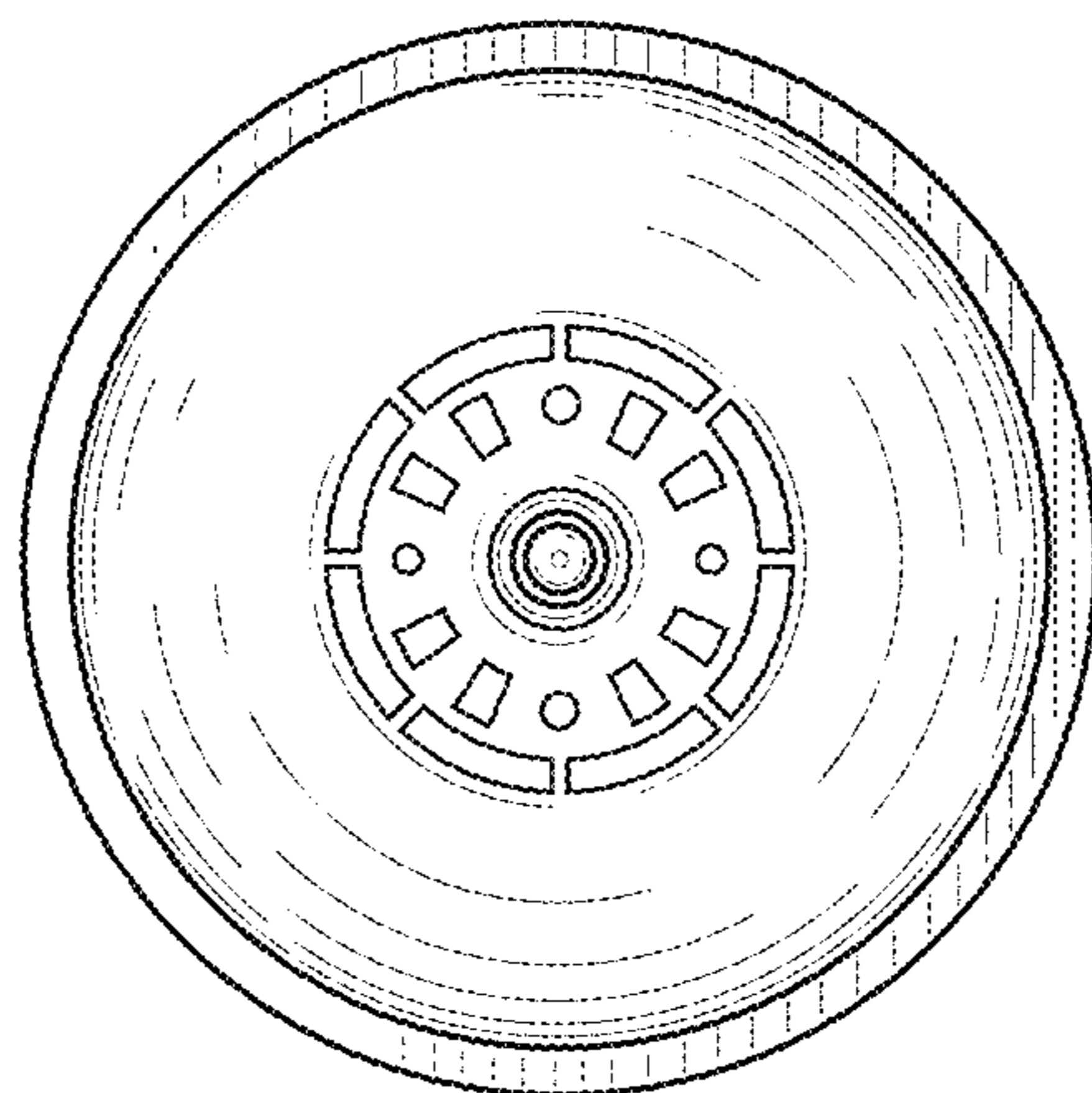


FIG. 7

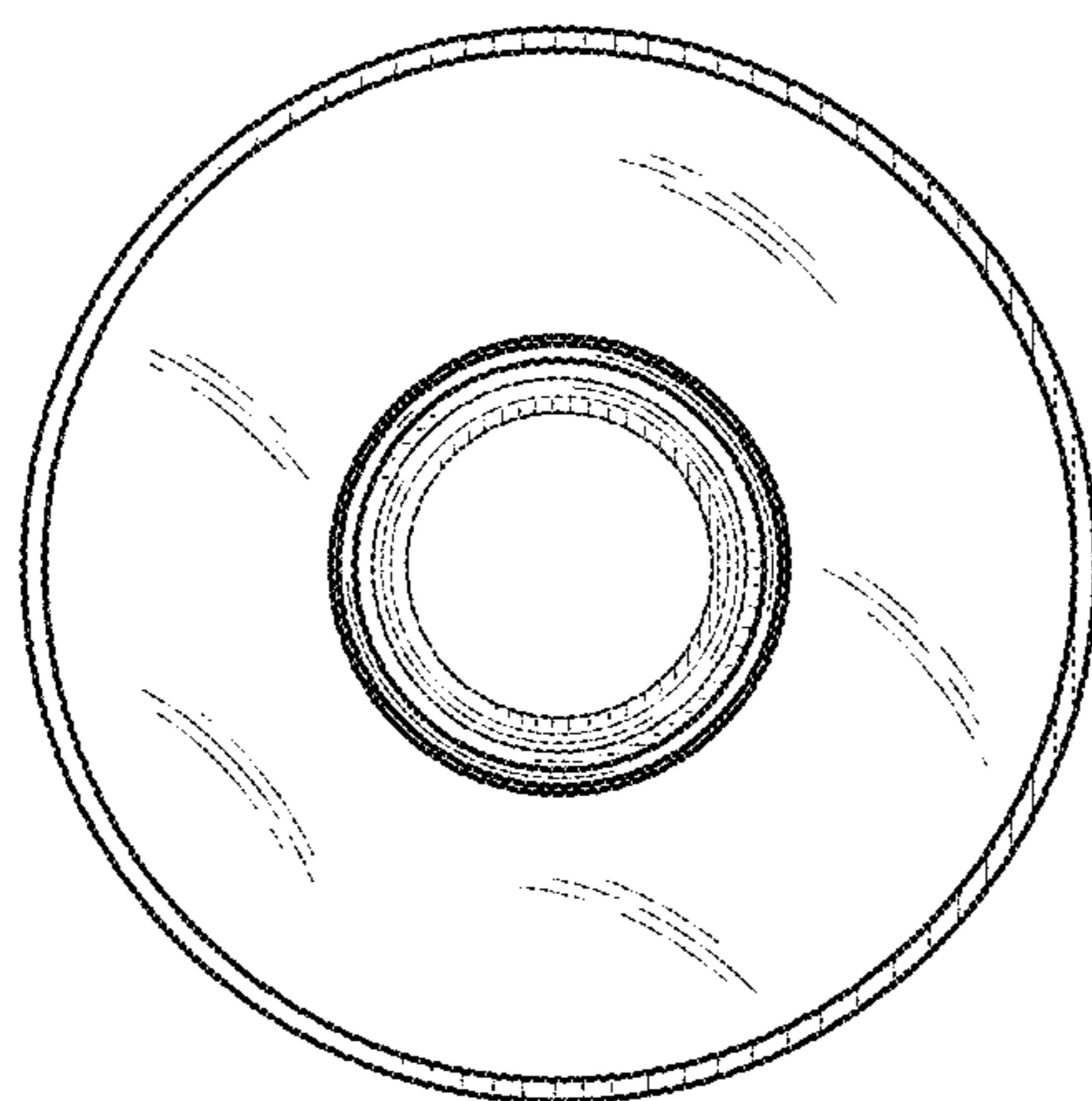


FIG. 8