



US00D815768S

(12) **United States Design Patent** (10) **Patent No.:** **US D815,768 S**
Park et al. (45) **Date of Patent:** **** Apr. 17, 2018**

(54) **HEAD LAMPS FOR VEHICLE**

F21V 21/04; B60Q 1/30; B60Q 1/2607;
B60Q 1/2696; B62J 6/00; B62J 6/04

(71) Applicant: **KIA MOTORS CORPORATION**,
Seoul (KR)

See application file for complete search history.

(72) Inventors: **Yong Woo Park**, Hwaseong-si (KR);
Sung Hoon Ahn, Hwaseong-si (KR)

(56) **References Cited**

(73) Assignee: **Kia Motors Corporation**, Seoul (KR)

U.S. PATENT DOCUMENTS

(**) Term: **15 Years**

D789,580 S *	6/2017	Schneider	D26/28
D794,231 S *	8/2017	Yokoi	D26/28
D794,848 S *	8/2017	Komuro	D26/28
D794,851 S *	8/2017	Youn	D26/28
D796,709 S *	9/2017	Lai	D26/28
D796,715 S *	9/2017	Lin	D26/28
D797,965 S *	9/2017	Matsumoto	D26/28
D801,559 S *	10/2017	Kinoshita	D26/28

(21) Appl. No.: **35/502,094**

* cited by examiner

(22) Filed: **Jun. 14, 2016**

(80) **Hague Agreement Data**

Primary Examiner — Zenia Bennett

Int. Filing Date: **Jun. 14, 2016**

(74) *Attorney, Agent, or Firm* — Mintz Levin Cohn Ferris
Glovsky and Popeo, P.C.; Kongsik Kim

Int. Reg. No.: **DM/091332**

Int. Reg. Date: **Jun. 14, 2016**

Int. Reg. Pub. Date: **Dec. 16, 2016**

(57) **CLAIM**

The ornamental design for a head lamps for vehicle, as shown and described.

(30) **Foreign Application Priority Data**

DESCRIPTION

Jan. 19, 2017 (KR) 30-2015-0064605

(51) **LOC (11) Cl.** **26-06**

(52) **U.S. Cl.**
USPC **D26/28**

(58) **Field of Classification Search**
USPC D26/28-36
CPC F21S 48/00; F21S 48/10; F21S 48/115;
F21S 48/225; F21S 48/1233; F21S
48/1266; F21S 48/1388; F21S 48/2268;

1. Head lamps for vehicle

1.1 : Perspective

1.2 : Front

1.3 : Back

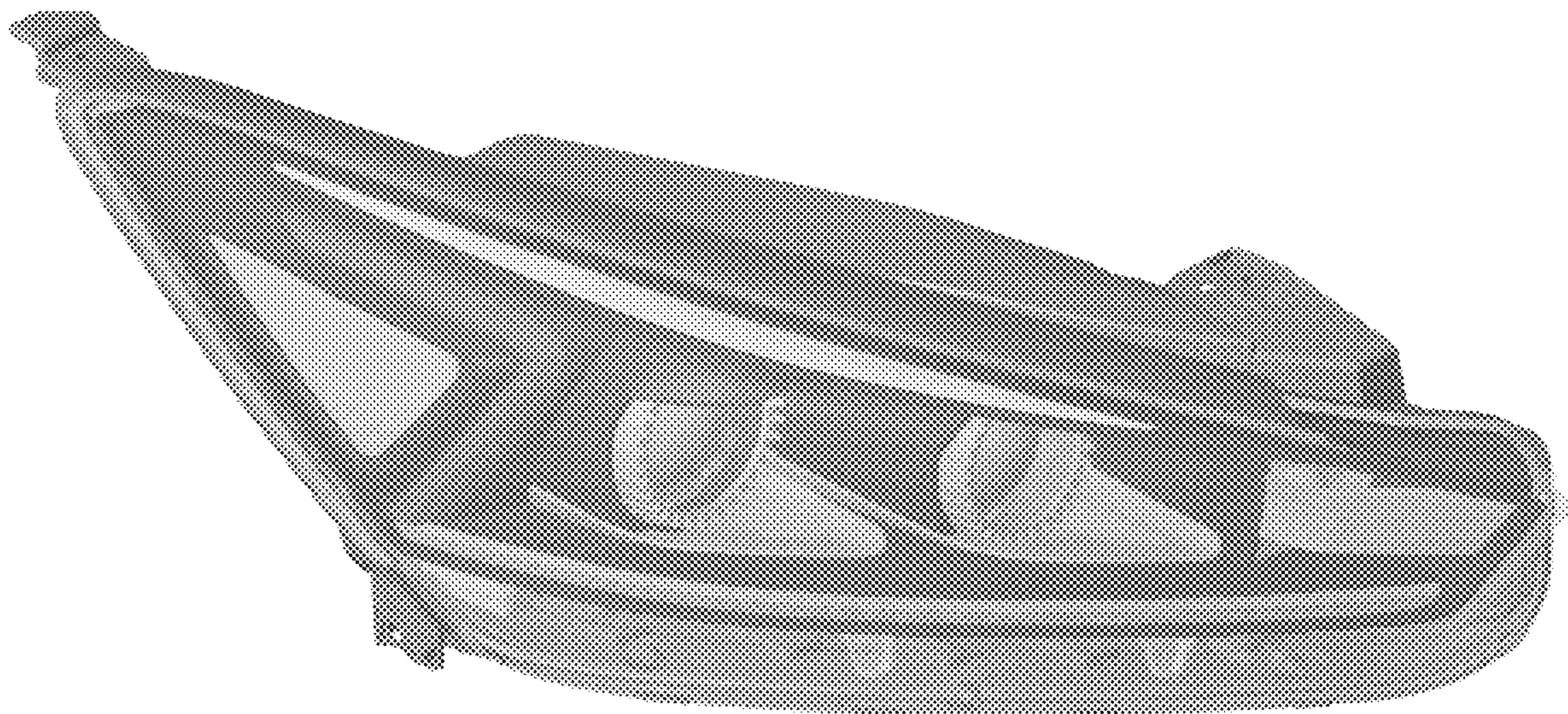
1.4 : Left

1.5 : Right

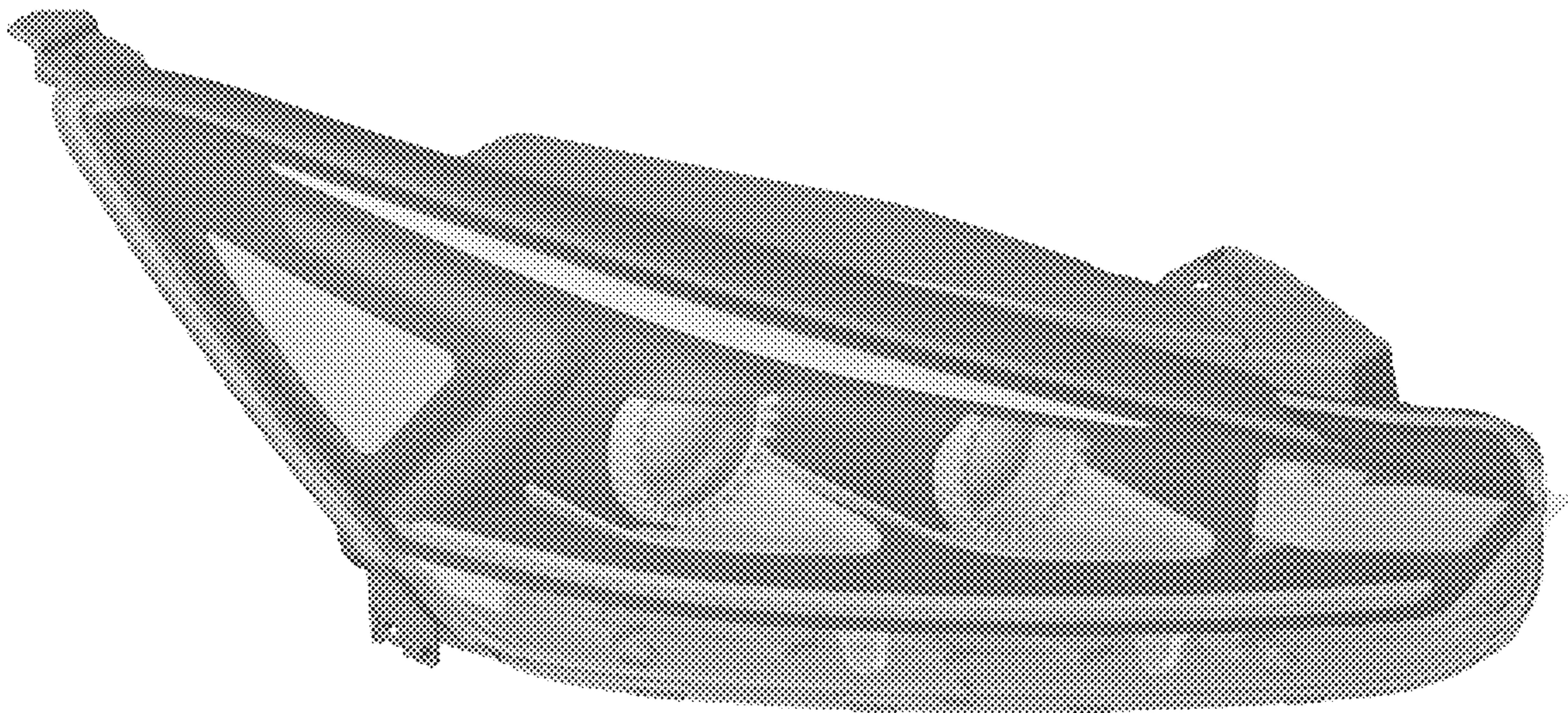
1.6 : Top

1.7 : Bottom

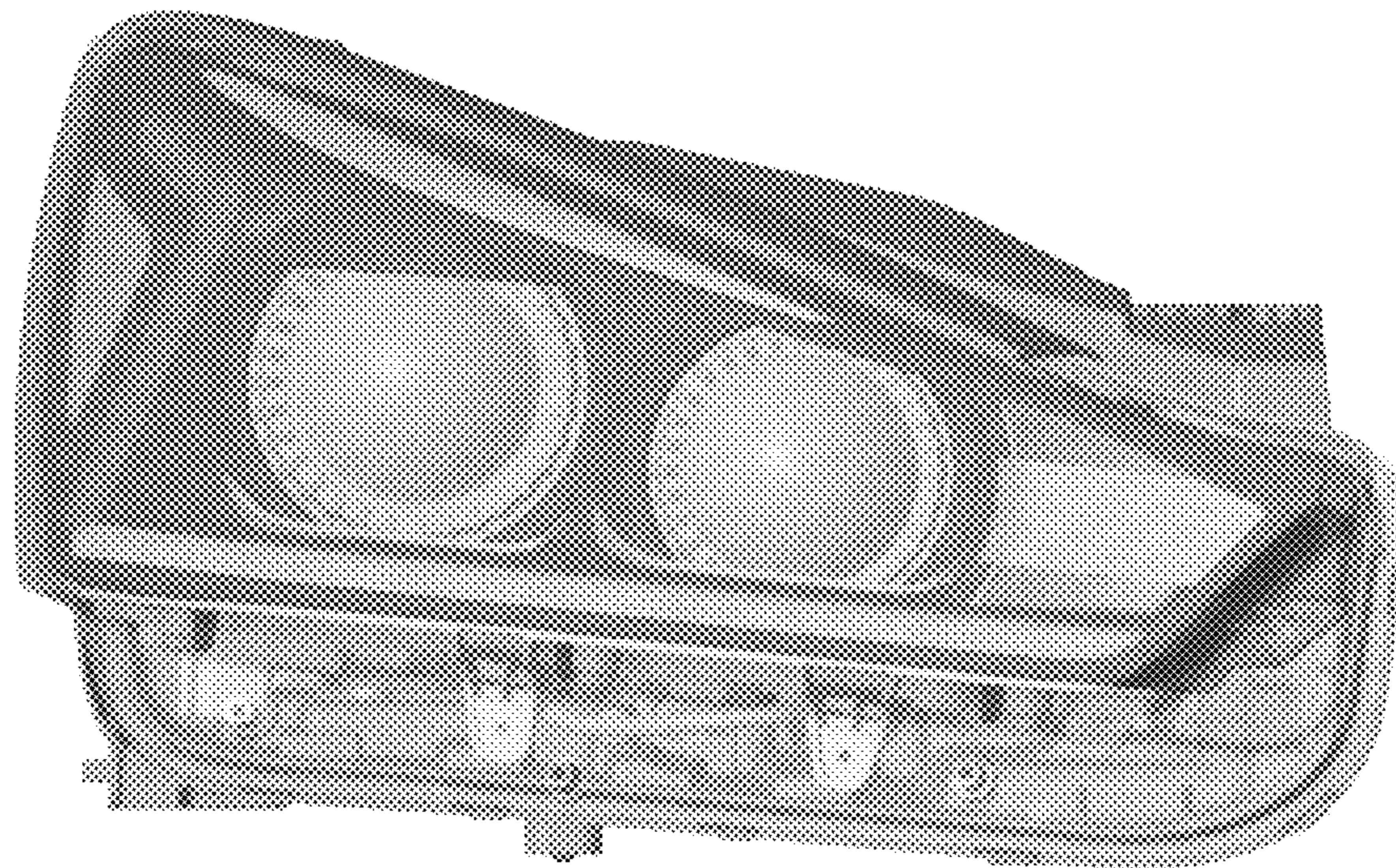
1 Claim, 7 Drawing Sheets



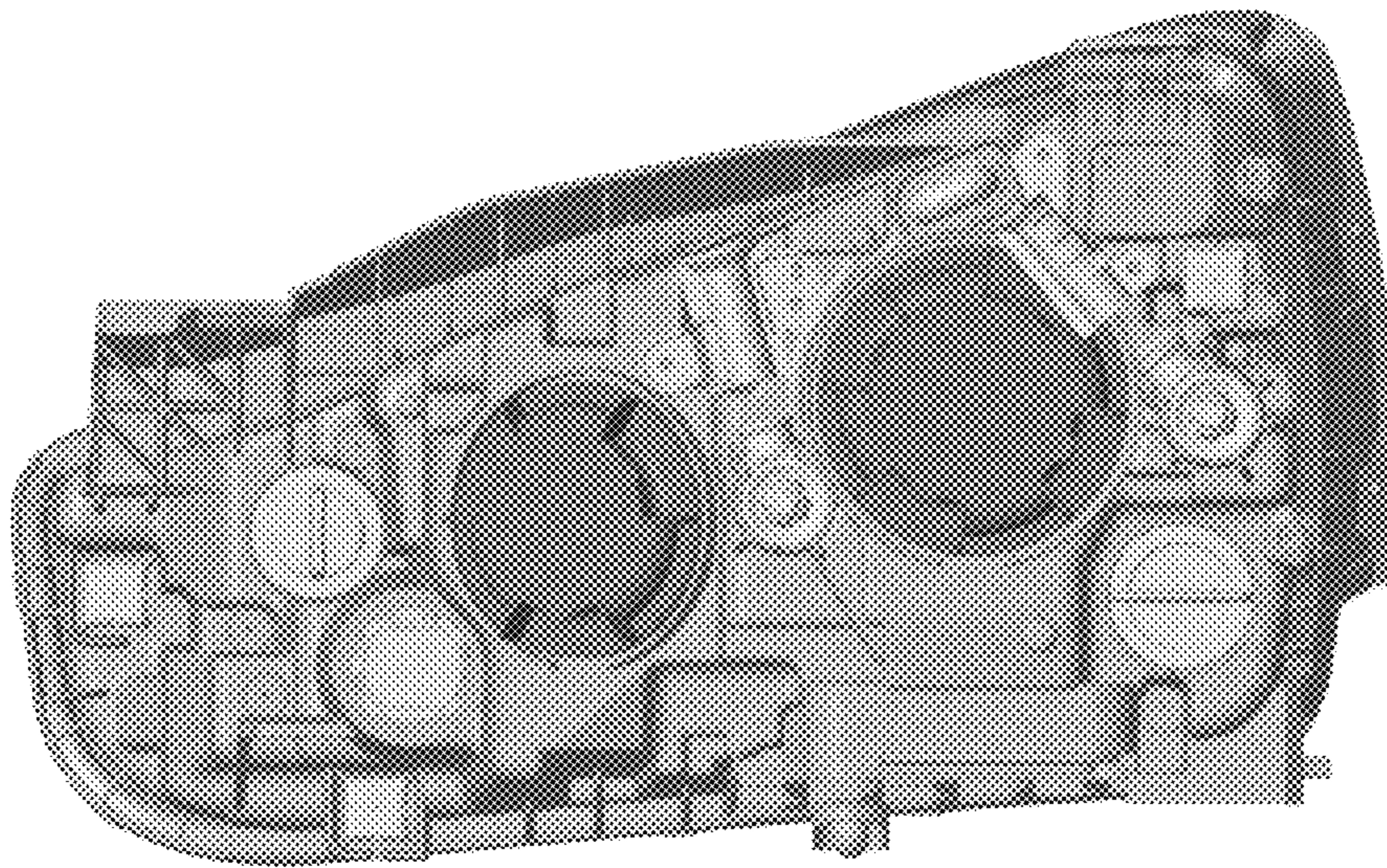
1.1



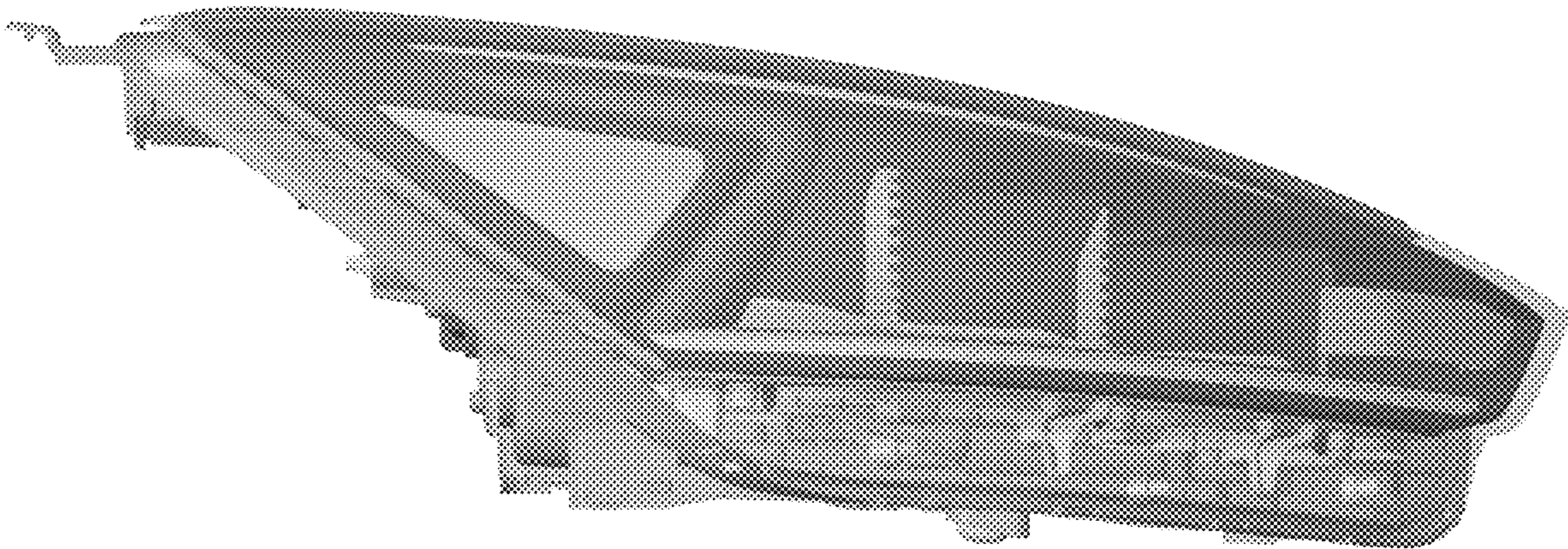
1.2



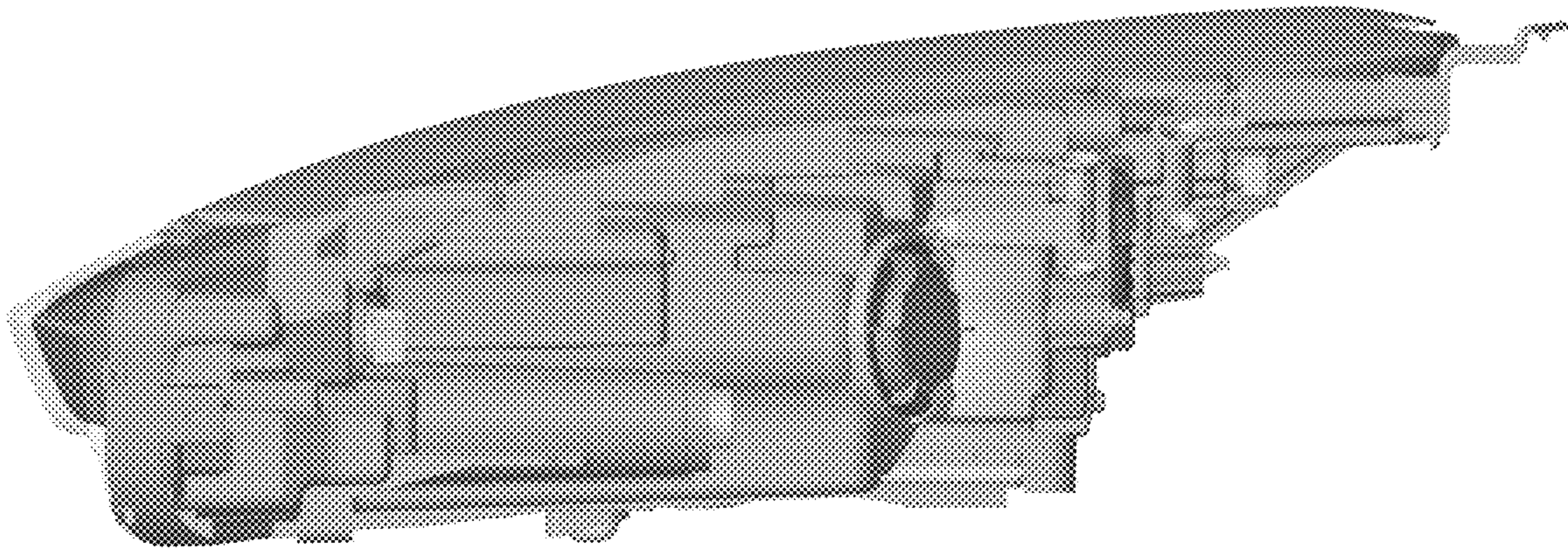
1.3



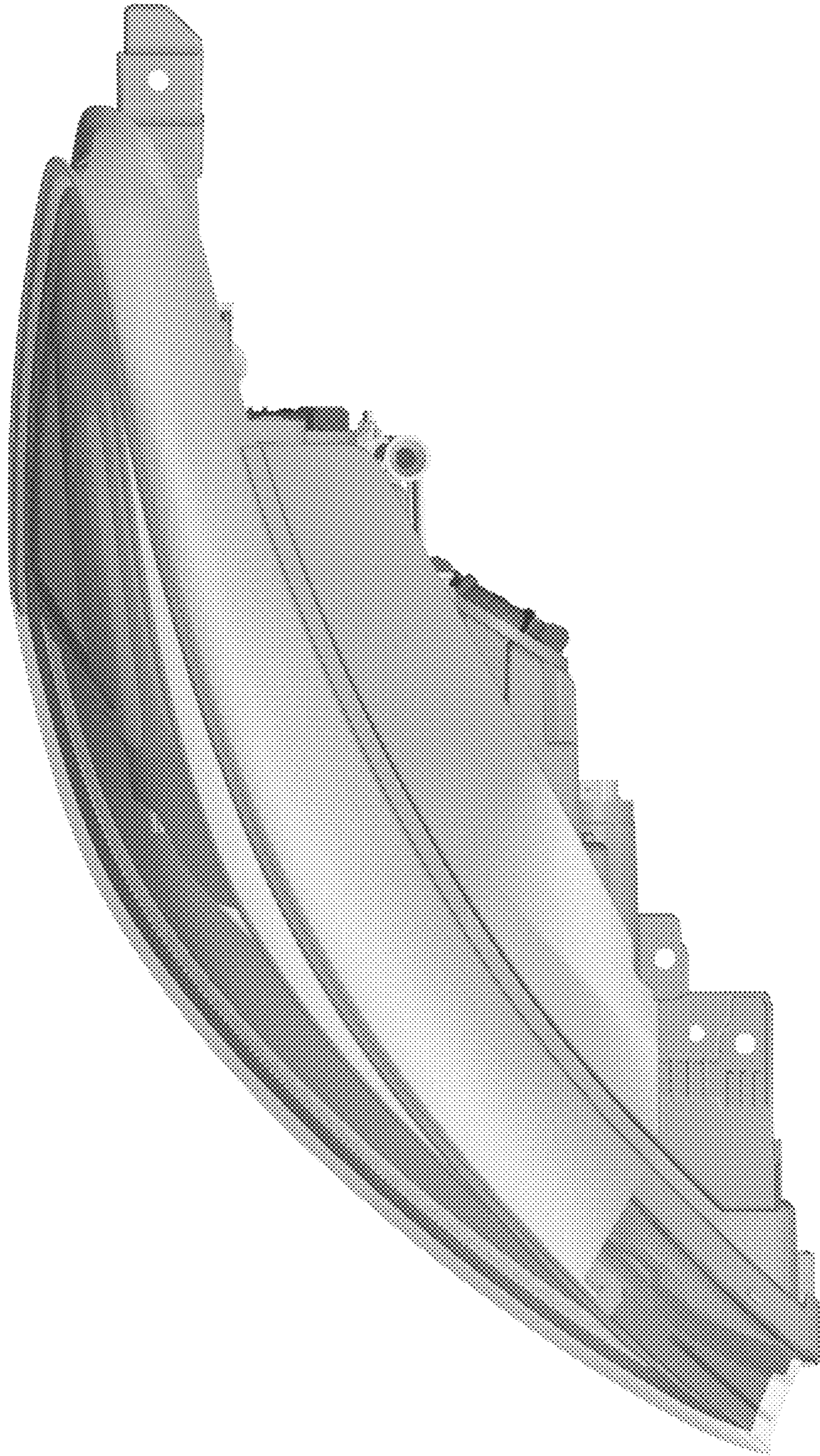
1.4



1.5



1.6



1.7

