



US00D815765S

(12) **United States Design Patent** (10) **Patent No.:** **US D815,765 S**
Jacobsthal et al. (45) **Date of Patent:** **** Apr. 17, 2018**

(54) **LIGHT BAR FOR A CONSTRUCTION MACHINE**

(71) Applicant: **CNH Industrial America LLC**, New Holland, PA (US)

(72) Inventors: **Eric M. Jacobsthal**, Elmhurst, IL (US); **Russell Meyer**, Crystal Lake, IL (US); **Douglas V. Montgomery**, Downers Grove, IL (US); **William Venth**, Chicago, IL (US); **Darin Weisensel**, Racine, WI (US)

(73) Assignee: **CNH Industrial America LLC**, New Holland, PA (US)

(**) Term: **15 Years**

(21) Appl. No.: **29/595,591**

(22) Filed: **Feb. 28, 2017**

(51) **LOC (11) Cl.** **26-07**

(52) **U.S. Cl.**
USPC **D26/28**

(58) **Field of Classification Search**
USPC D26/28-36; 362/459-468, 475-478, 362/485-487
CPC F21S 48/00; F21S 48/10; F21S 48/115; F21S 48/225; F21S 48/1233; F21S 48/1266; F21S 48/1388; F21S 48/2268; F21V 21/04

See application file for complete search history.

(56) **References Cited**

U.S. PATENT DOCUMENTS

D410,292 S * 5/1999 Mayle D26/28
D418,929 S * 1/2000 Allen D10/114.1

D449,393 S * 10/2001 Yamamoto D26/28
D535,042 S * 1/2007 Nakayama D26/28
D637,746 S * 5/2011 Kong D26/28
D676,990 S * 2/2013 Adams D26/31
D684,711 S * 6/2013 Chen D26/28
D757,316 S * 5/2016 Wymore D26/31
D765,891 S * 9/2016 Varga D26/28
D777,954 S * 1/2017 Salami, Jr. D26/28
D780,961 S * 3/2017 Curic D26/28
D791,375 S * 7/2017 Lichte D26/28
D795,472 S * 8/2017 Leutiger D26/28

* cited by examiner

Primary Examiner — Angela J Lee

(74) *Attorney, Agent, or Firm* — Patrick M. Sheldrake; Peter K. Zacharias

(57) **CLAIM**

The ornamental design for a light bar for a construction machine, as shown and described.

DESCRIPTION

FIG. 1 is a perspective view of a light bar shown attached to a construction machine, the light bar being of the present design.

FIG. 2 is a front perspective view of the light bar of FIG. 1.

FIG. 3 is a rear perspective view of the light bar of FIG. 1.

FIG. 4 is a front view of the light bar of FIG. 1.

FIG. 5 is a left-side view of the light bar of FIG. 1.

FIG. 6 is a right-side view of the light bar of FIG. 1.

FIG. 7 is a top view of the light bar of FIG. 1.

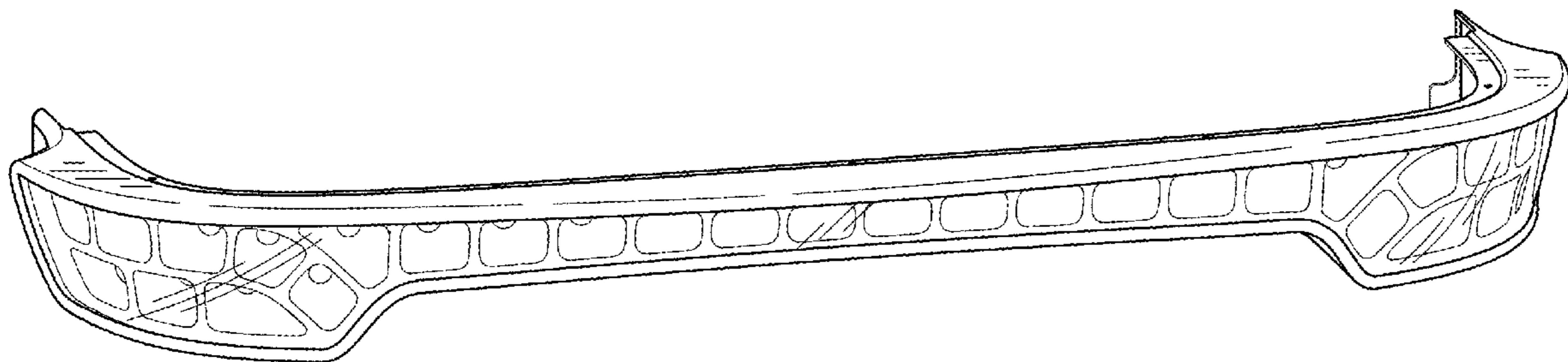
FIG. 8 is a bottom view of the light bar of FIG. 1; and,

FIG. 9 is a rear view of the light bar of FIG. 1.

The dashed lines shown in FIG. 1 represent environmental subject matter and form no part of the claimed design.

The dashed lines shown in FIGS. 3 and 7-9 are for illustration only and do not form part of the claimed design.

1 Claim, 5 Drawing Sheets



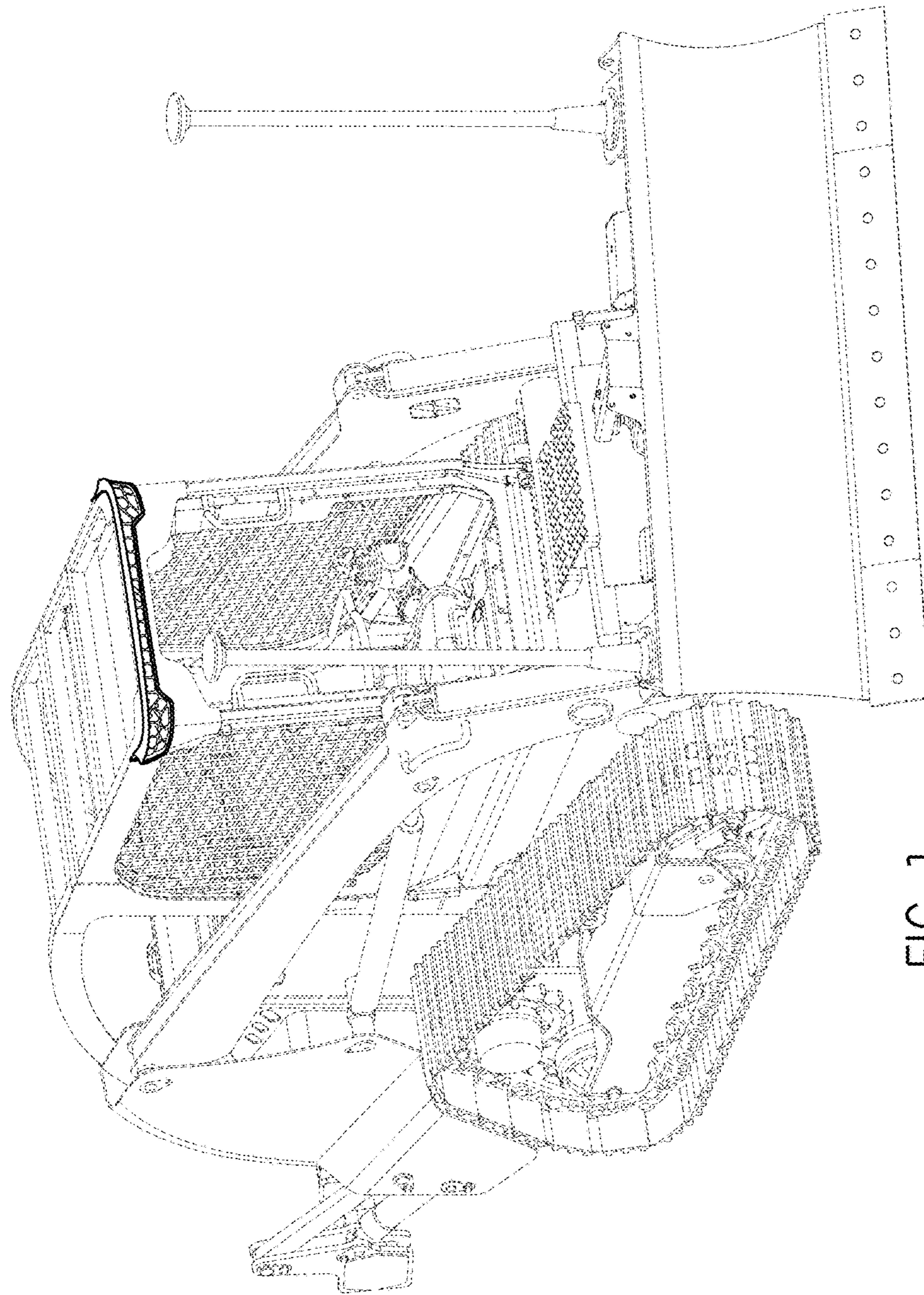


FIG. 1

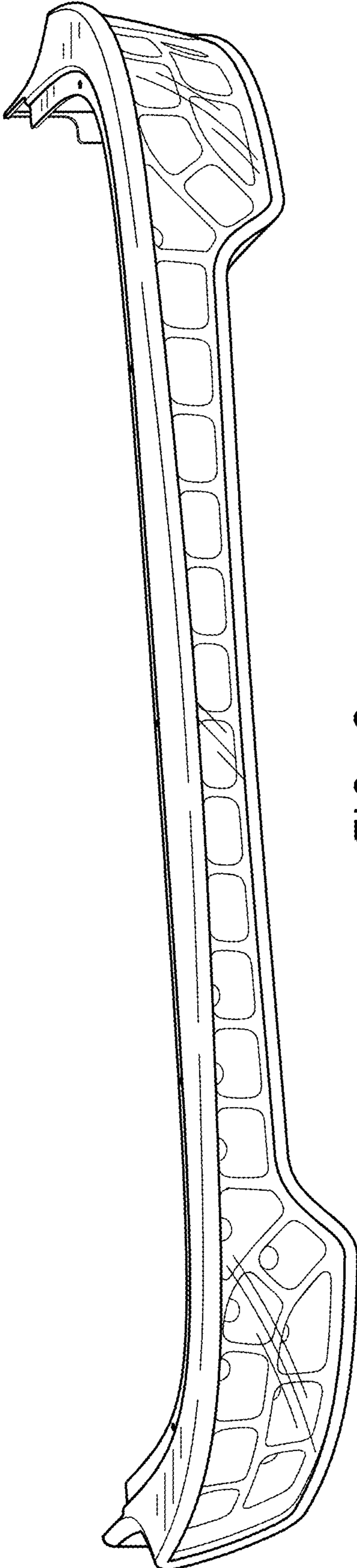


FIG. 2

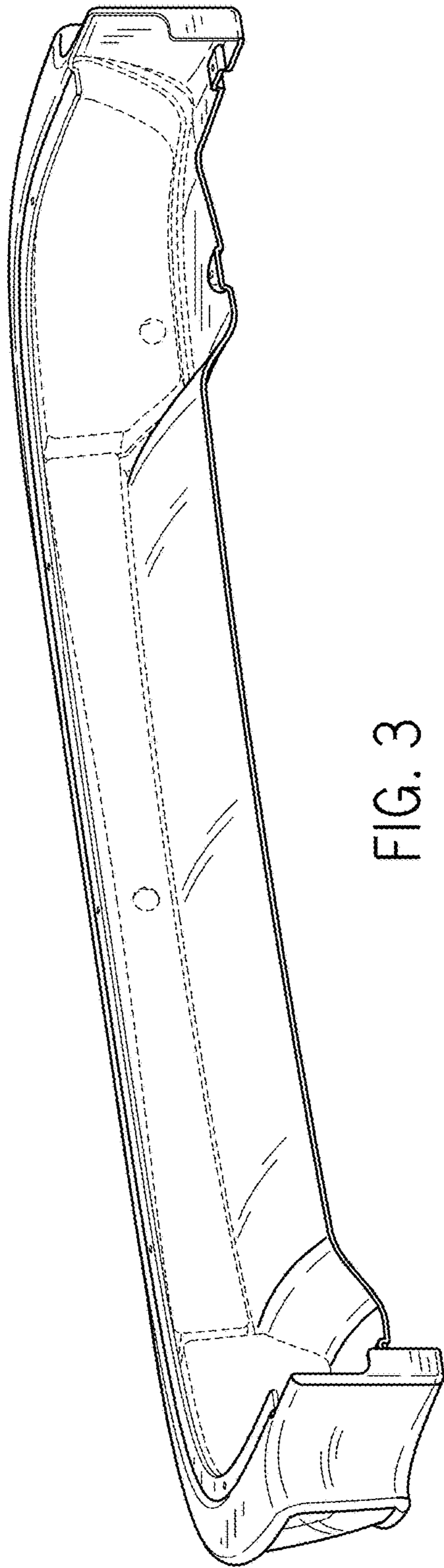


FIG. 3

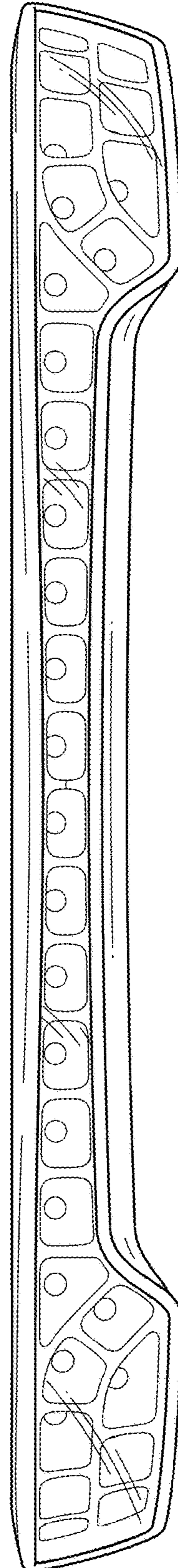


FIG. 4

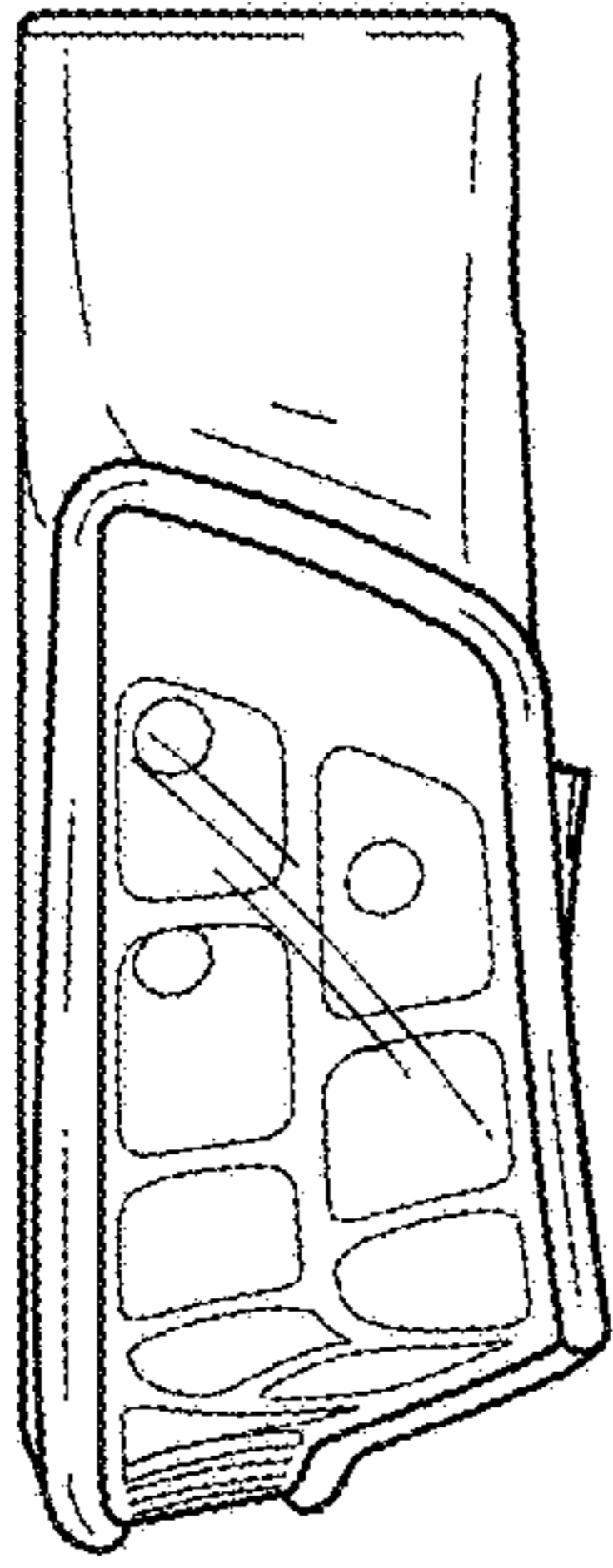


FIG. 5

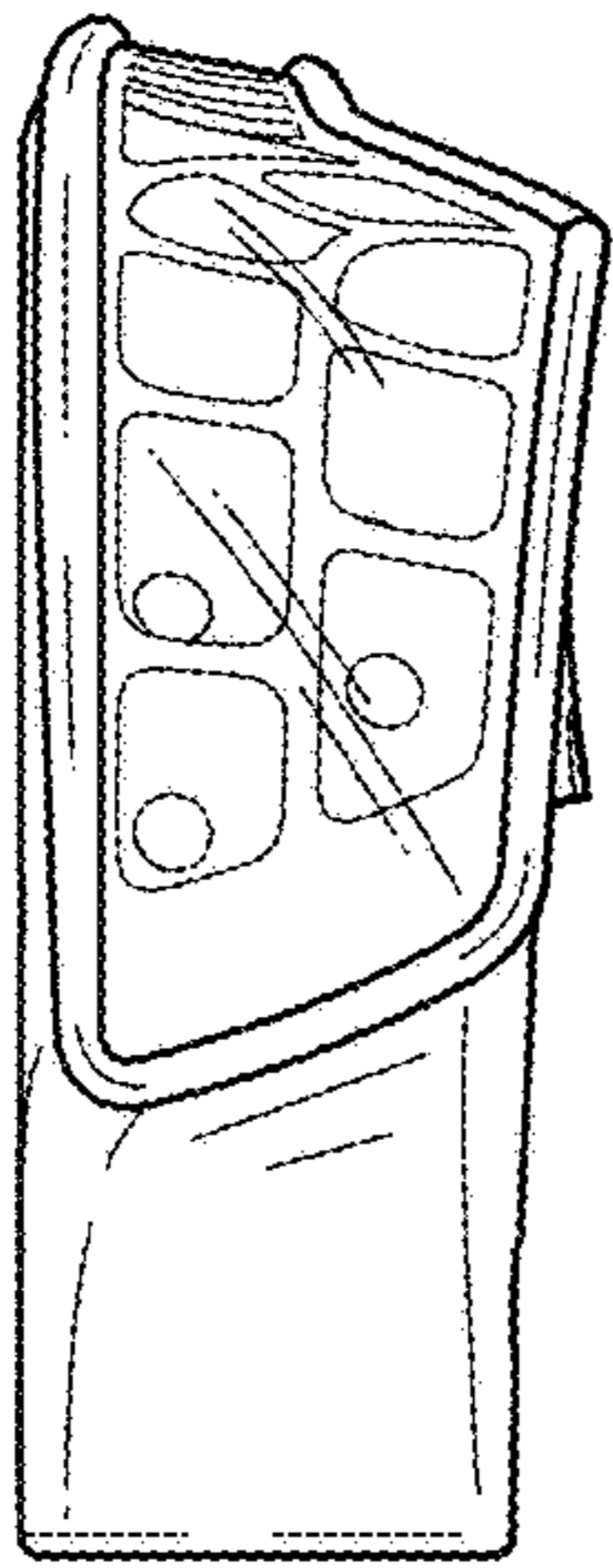


FIG. 6

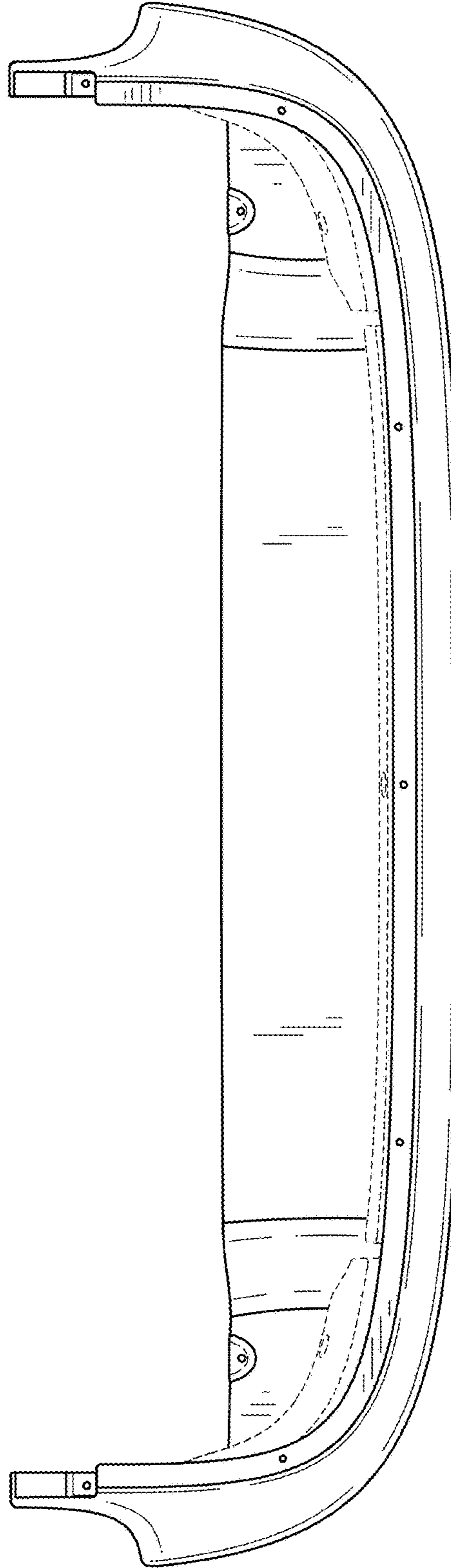


FIG. 7

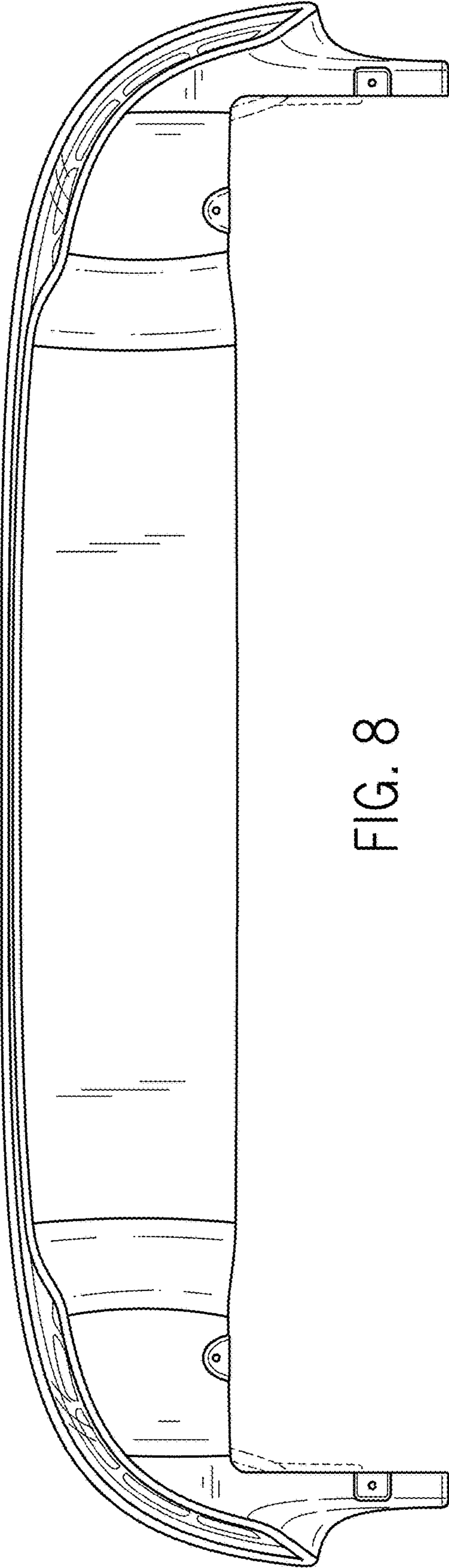


FIG. 8

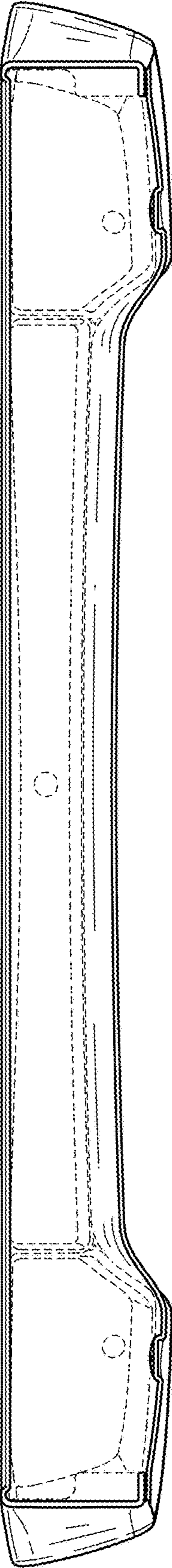


FIG. 9