



US00D815764S

(12) **United States Design Patent**  
**Smock**

(10) **Patent No.:** **US D815,764 S**

(45) **Date of Patent:** **\*\* Apr. 17, 2018**

(54) **TAILLIGHT**

(71) Applicant: **Honda Motor Co., Ltd.**, Minato-ku,  
Tokyo (JP)

(72) Inventor: **Randall Smock**, Redondo Beach, CA  
(US)

(73) Assignee: **HONDA MOTOR CO., LTD.**, Tokyo  
(JP)

(\*\*) Term: **15 Years**

(21) Appl. No.: **29/566,174**

(22) Filed: **May 27, 2016**

(51) **LOC (11) Cl.** ..... **26-07**

(52) **U.S. Cl.**  
USPC ..... **D26/28**

(58) **Field of Classification Search**  
USPC ..... D26/28-36; 362/459-468, 475-478,  
362/485-487  
CPC ..... F21S 48/00; F21S 48/10; F21S 48/115;  
F21S 48/225; F21S 48/1233; F21S  
48/1266; F21S 48/1388; F21S 48/2268;  
F21V 21/04  
See application file for complete search history.

(56) **References Cited**

**U.S. PATENT DOCUMENTS**

D493,902 S \* 8/2004 Hoelzel ..... D26/28  
D595,879 S \* 7/2009 Lamm ..... D26/28  
D606,678 S \* 12/2009 George ..... D26/28  
D619,278 S \* 7/2010 Choi ..... D26/28  
D666,753 S \* 9/2012 Huet ..... D26/28

D673,311 S \* 12/2012 Frenzel ..... D26/28  
D679,431 S \* 4/2013 Frenzel ..... D26/28  
D706,469 S \* 6/2014 Futschik ..... D26/28  
D717,975 S \* 11/2014 Futschik ..... D26/28  
D749,765 S \* 2/2016 Sa ..... D26/28  
D760,410 S \* 6/2016 Arroba ..... D26/28  
D761,980 S \* 7/2016 Keskin ..... D26/28  
D792,990 S \* 7/2017 Curic ..... D26/28

\* cited by examiner

*Primary Examiner* — Angela J Lee

(74) *Attorney, Agent, or Firm* — Arent Fox LLP

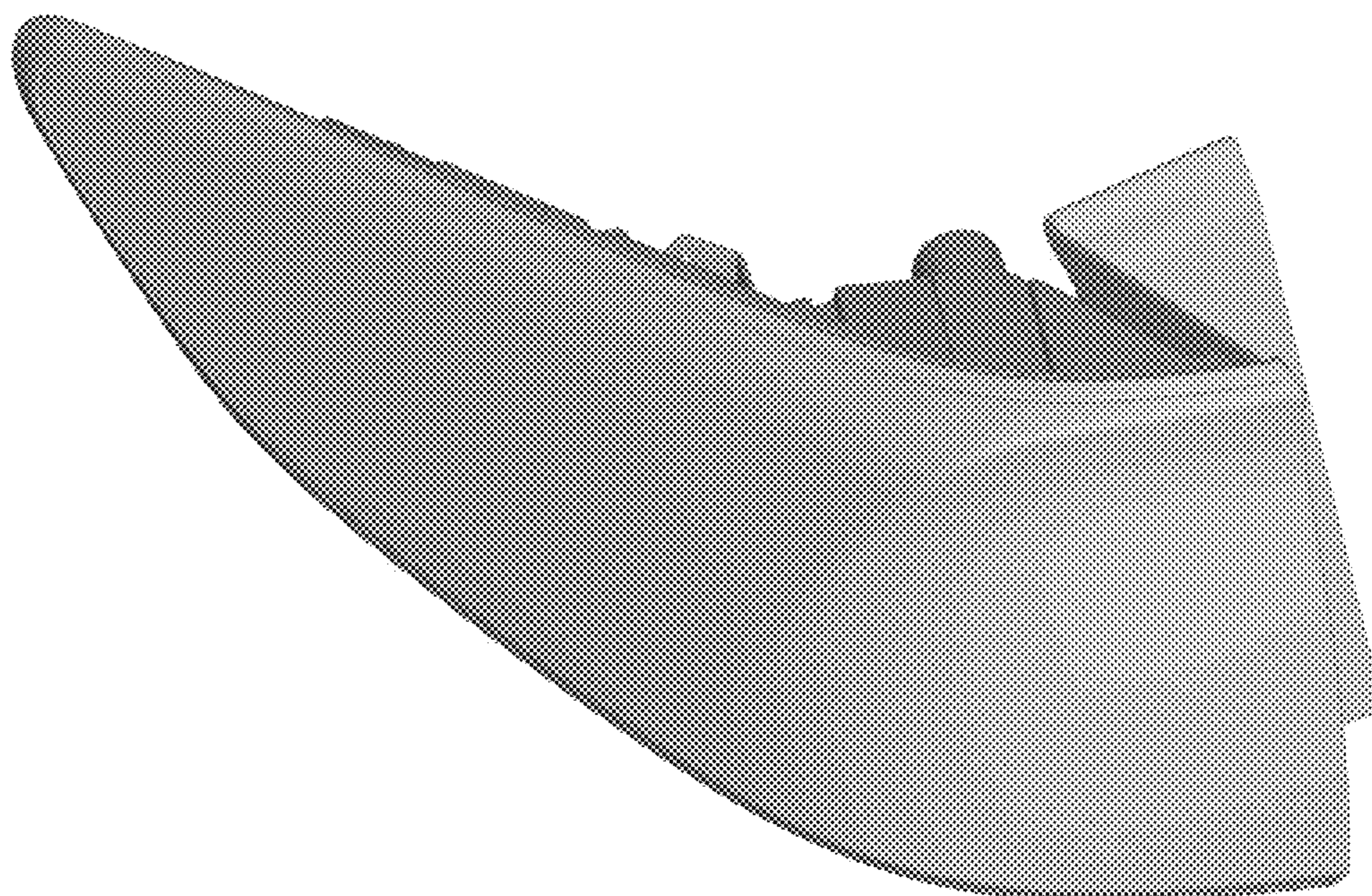
(57) **CLAIM**

The ornamental design for a taillight, as shown and described.

**DESCRIPTION**

FIG. 1 is a top right perspective view of a first embodiment of a taillight showing my new design;  
FIG. 2 is a front perspective view of the design shown in FIG. 1;  
FIG. 3 is a top left perspective view of the design shown in FIG. 1;  
FIG. 4 is a top, rear, right perspective view of the design shown in FIG. 1;  
FIG. 5 is a front view of the design shown in FIG. 1;  
FIG. 6 is a rear view of the design shown in FIG. 1;  
FIG. 7 is a left side view of the design shown in FIG. 1;  
FIG. 8 is a right side view of the design shown in FIG. 1;  
FIG. 9 is a top view of the design shown in FIG. 1; and,  
FIG. 10 is a bottom view of the design shown in FIG. 1.

**1 Claim, 10 Drawing Sheets**



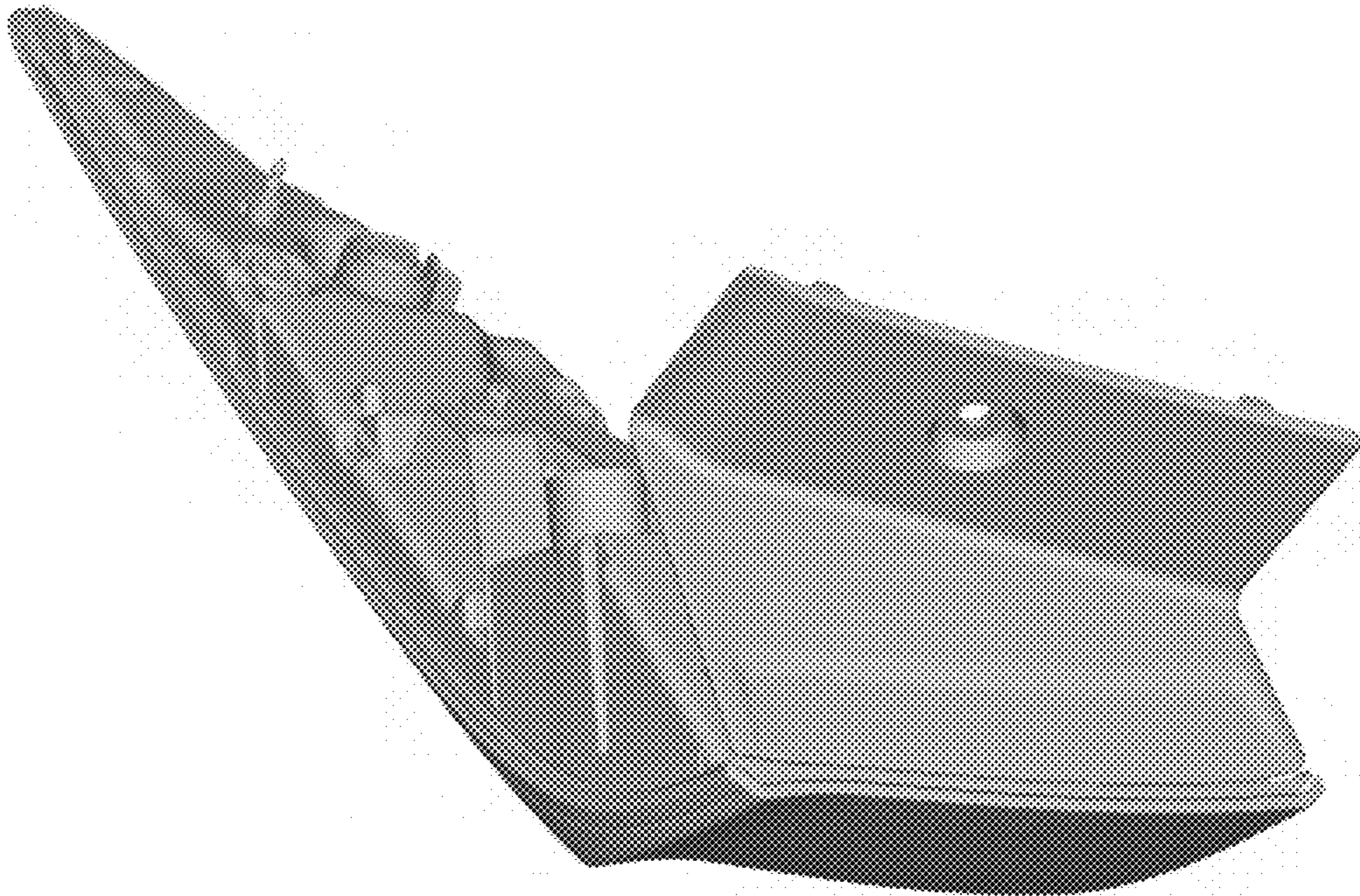


FIGURE 1

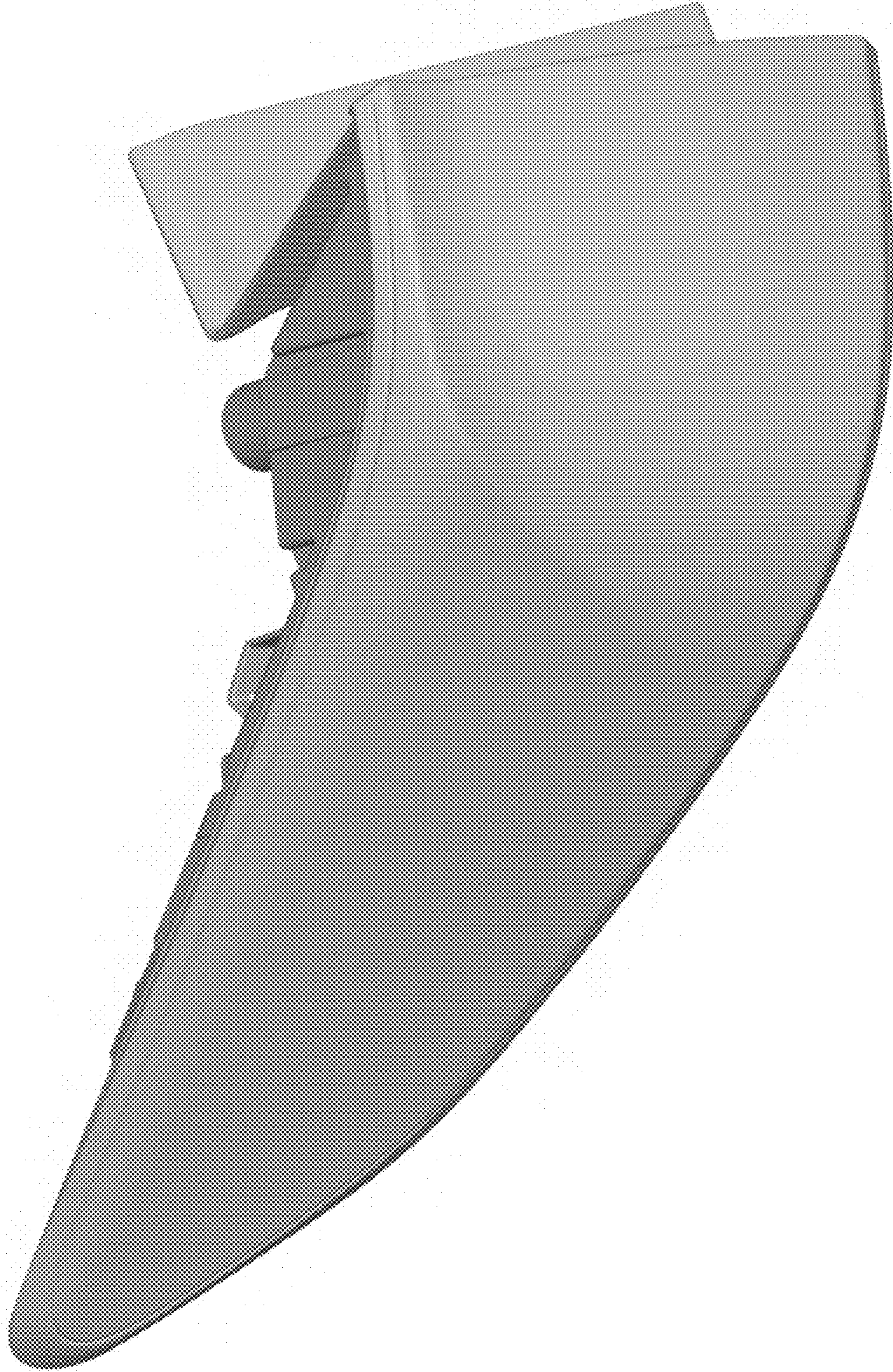


FIGURE 2



FIGURE 3

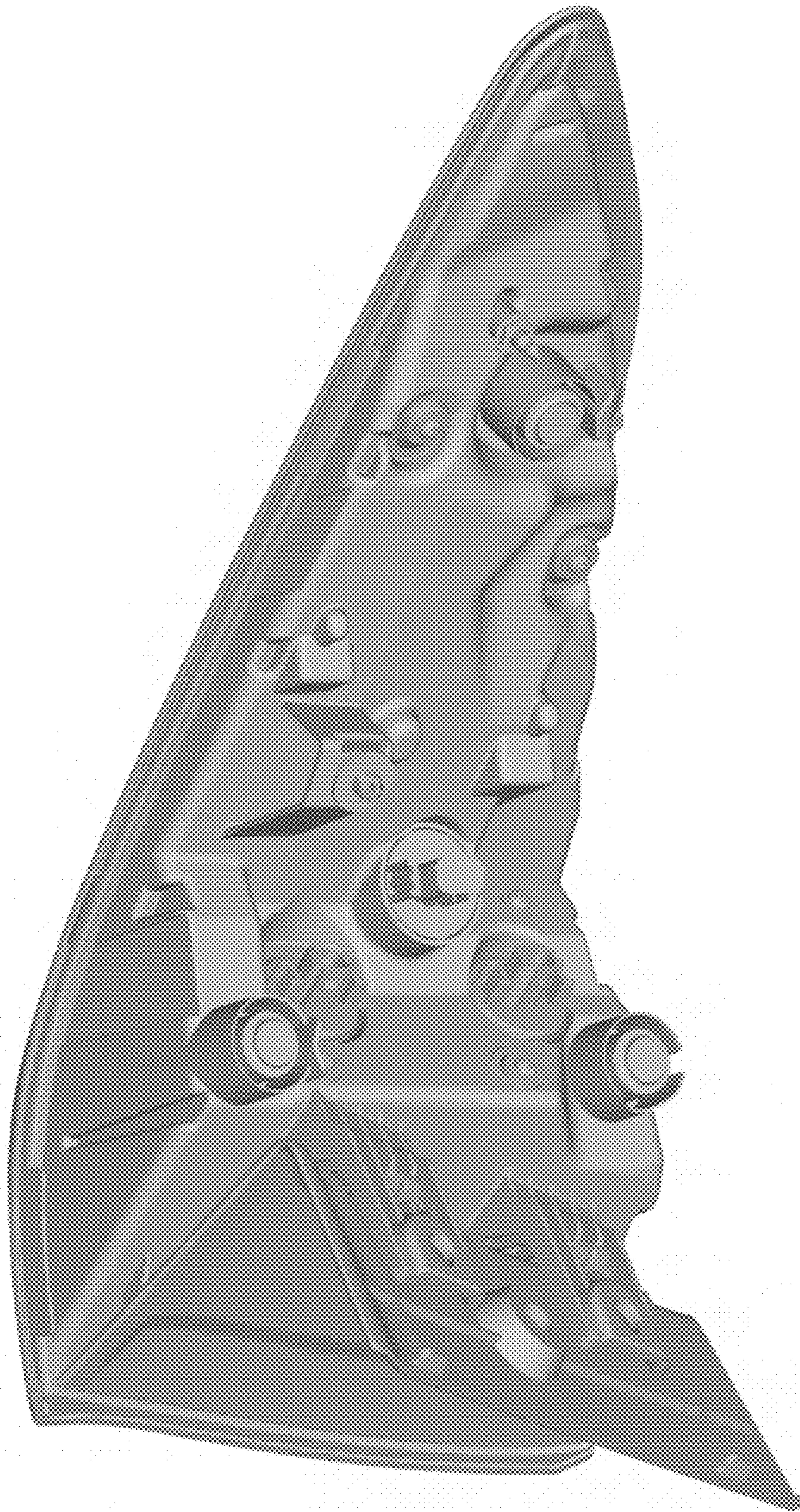


FIGURE 4

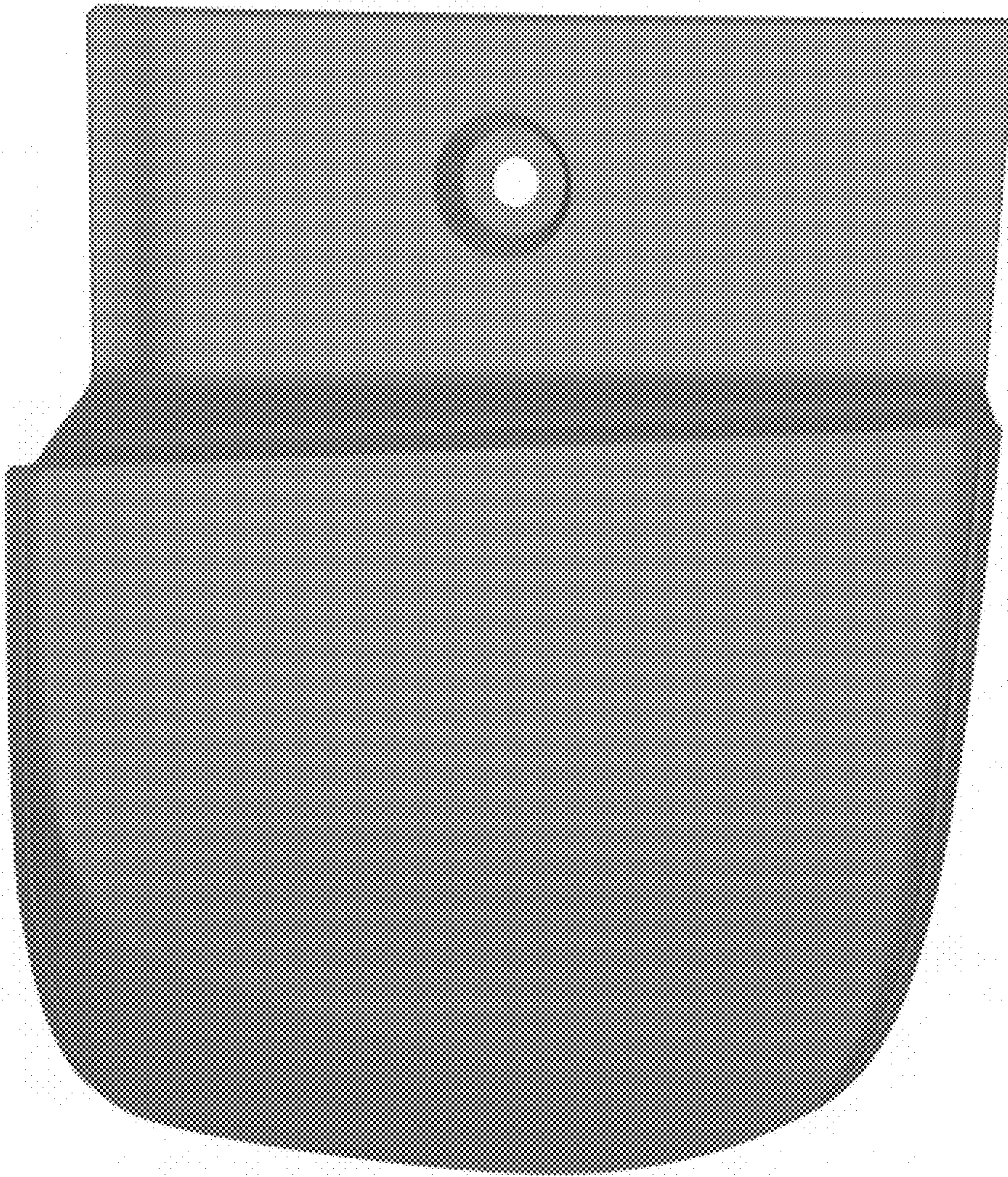


FIGURE 5

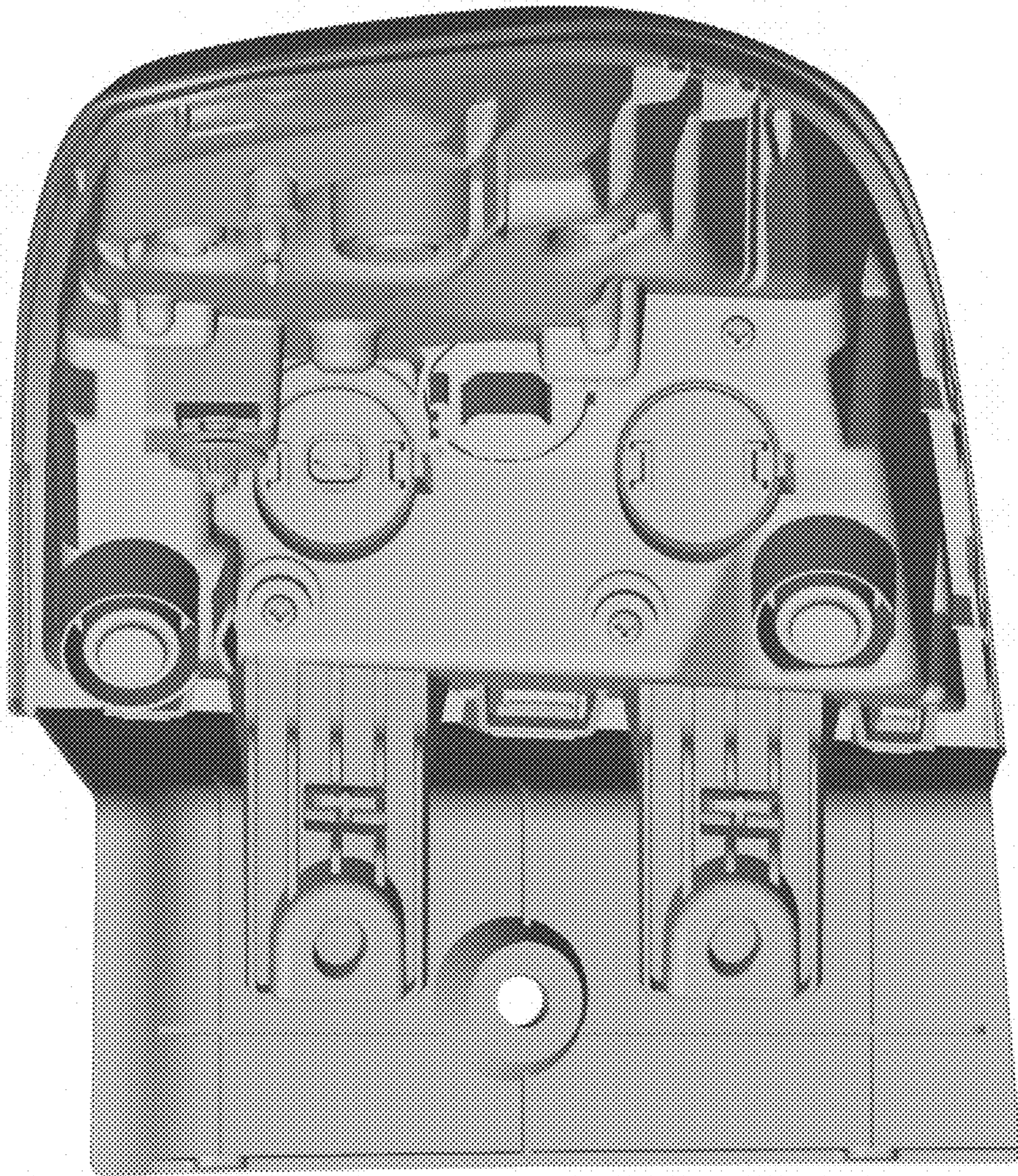


FIGURE 6

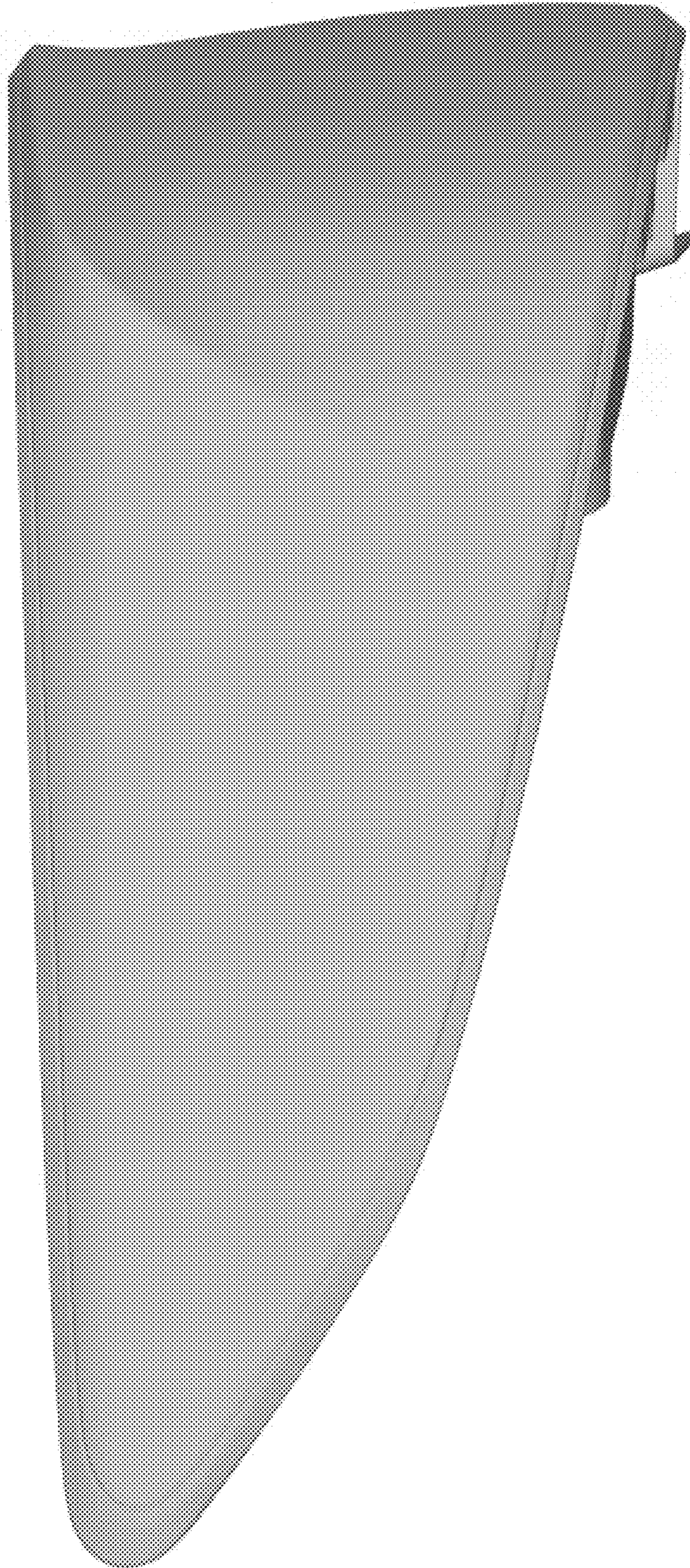


FIGURE 7



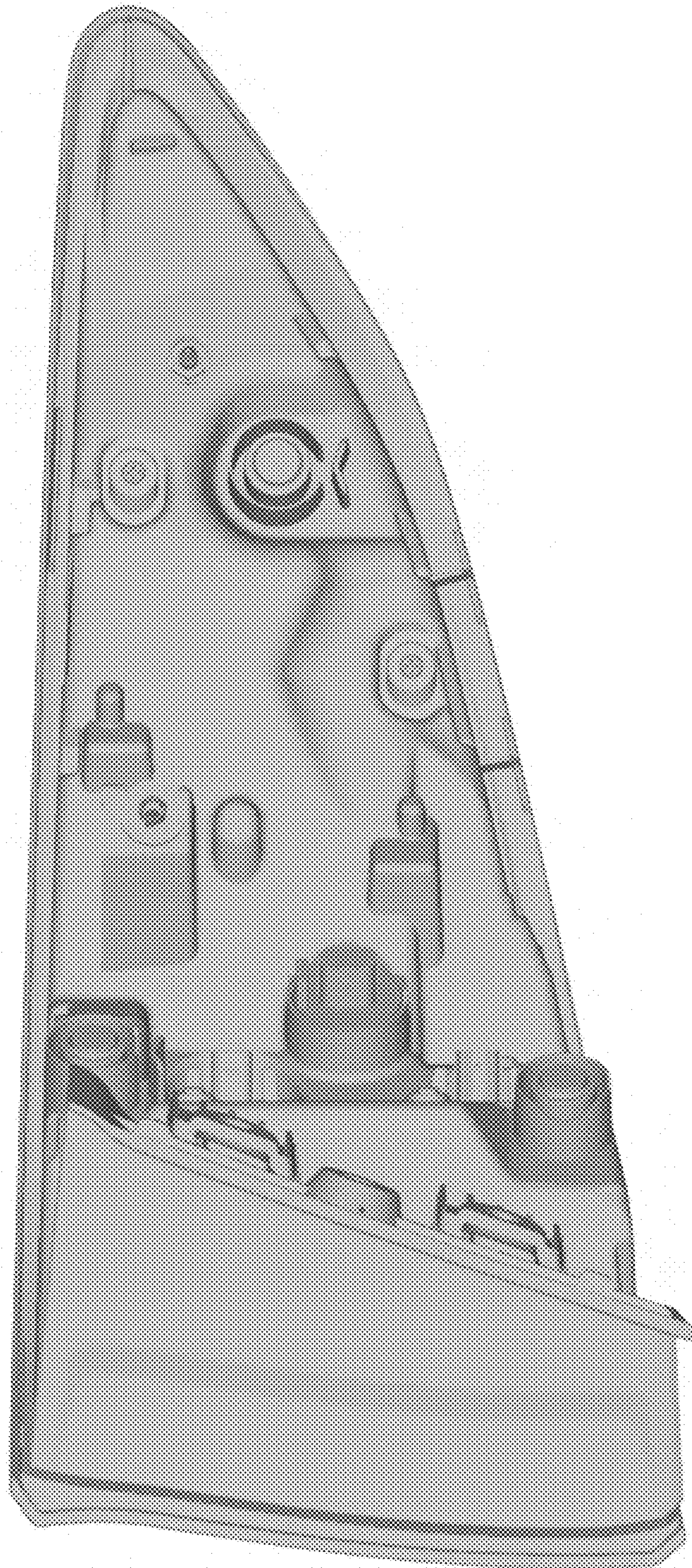


FIGURE 8

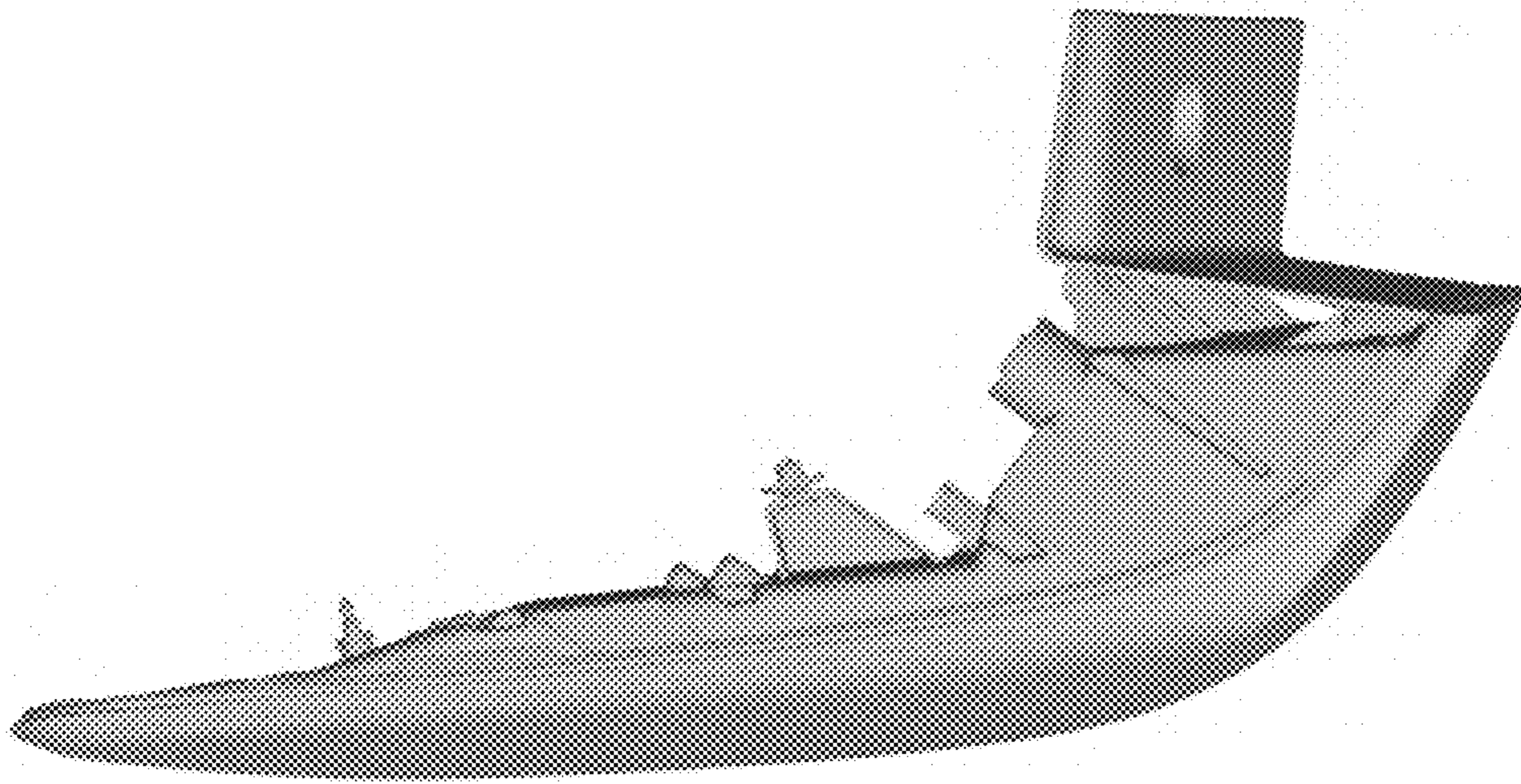


FIGURE 9

FIGURE 10

