



US00D815759S

(12) **United States Design Patent**
Hazenberg et al.

(10) **Patent No.:** **US D815,759 S**
(45) **Date of Patent:** **** Apr. 17, 2018**

(54) **SEA WALL CAP**

(71) Applicant: **Everlast Synthetic Products, LLC.**,
Woodstock, GA (US)

(72) Inventors: **Carl Anthony Hazenberg**, Woodstock,
GA (US); **Jason Nelms**, Woodstock,
GA (US); **Brad Lund**, Woodstock, GA
(US); **Randall D Heath**, Birmingham,
AL (US)

(73) Assignee: **Everlast Synthetic Products, LLC.**,
Woodstock, GA (US)

(**) Term: **15 Years**

(21) Appl. No.: **29/568,952**

(22) Filed: **Jun. 22, 2016**

(51) **LOC (11) Cl.** **25-01**

(52) **U.S. Cl.**
USPC **D25/135**

(58) **Field of Classification Search**
USPC D25/103–135, 47.1, 48, 49, 50, 48.7, 60;
52/201, 204.5, 204.54, 208, 306, 307,
52/308; 160/104, 201, 202, 235
CPC E02B 3/04; E02B 3/041; E04C 2/543
See application file for complete search history.

(56) **References Cited**

U.S. PATENT DOCUMENTS

D422,368 S * 4/2000 Wells D25/58
D637,313 S * 5/2011 Lamberts D25/103

D647,635 S * 10/2011 Seehof D25/125
D675,342 S * 1/2013 Salton D25/38.1
D745,704 S * 12/2015 Tesauro D25/69
2011/0120031 A1 * 5/2011 Scherba E04C 2/543
52/202

* cited by examiner

Primary Examiner — Thomas Johannes
Assistant Examiner — Samantha Q. Lawrence
(74) *Attorney, Agent, or Firm* — Veal Intellectual
Property, LLC; Robert J. Veal

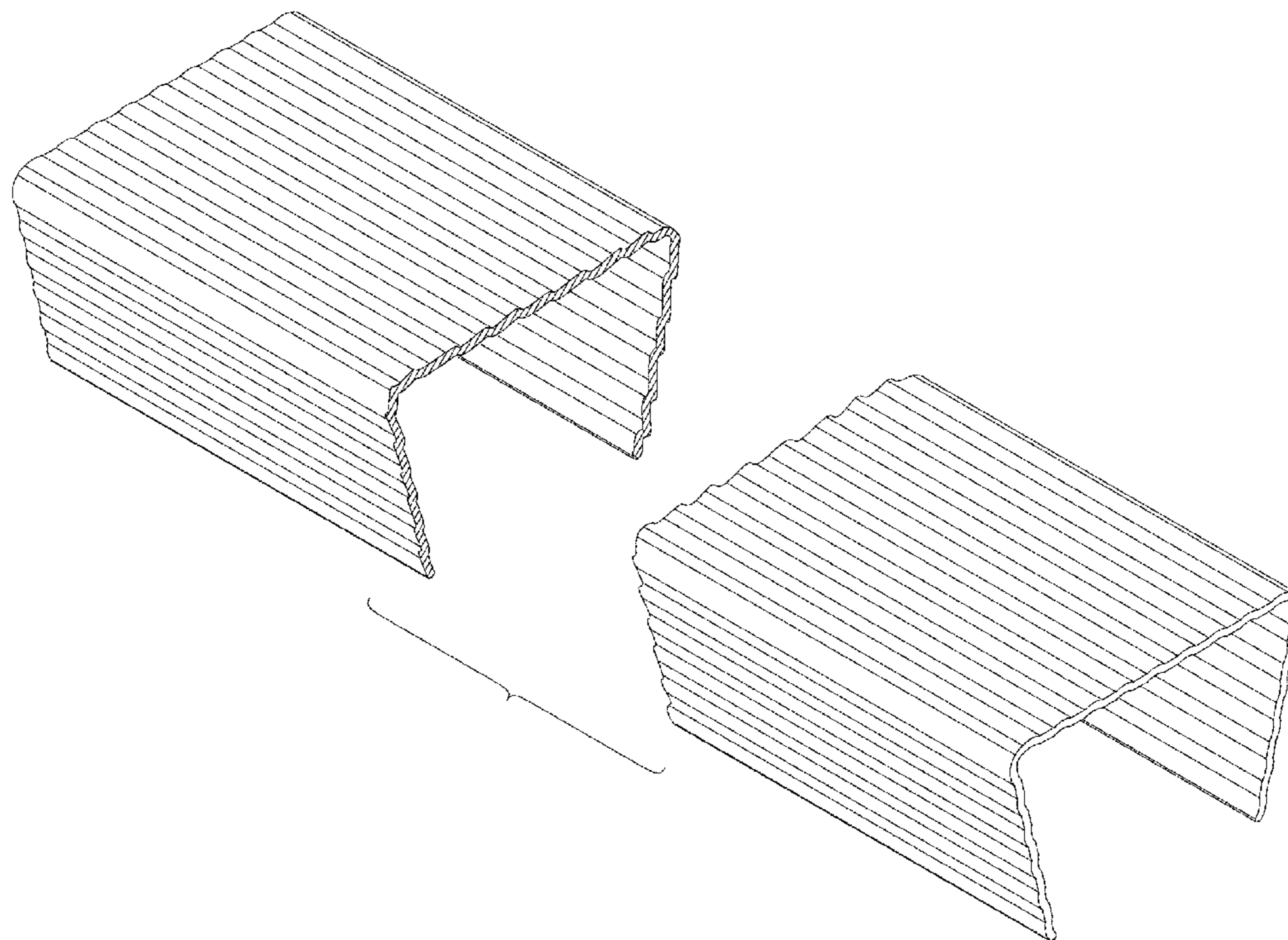
(57) **CLAIM**

The ornamental design for a sea wall cap, as shown and described.

DESCRIPTION

FIG. 1 is a perspective view of a sea wall cap;
FIG. 2 is an end view thereof; the opposite end being a mirror image;
FIG. 3 is a side elevation view thereof;
FIG. 4 is a top view thereof; and,
FIG. 5 is a bottom view thereof.
Shading shown in the figures is for illustrative purposes to show surface contours in the drawings only and forms no part of the invention.
The sea wall cap is shown with a symbolic break in its length. The appearance of any portion of the article between the break lines forms no part of the claimed design.

1 Claim, 3 Drawing Sheets



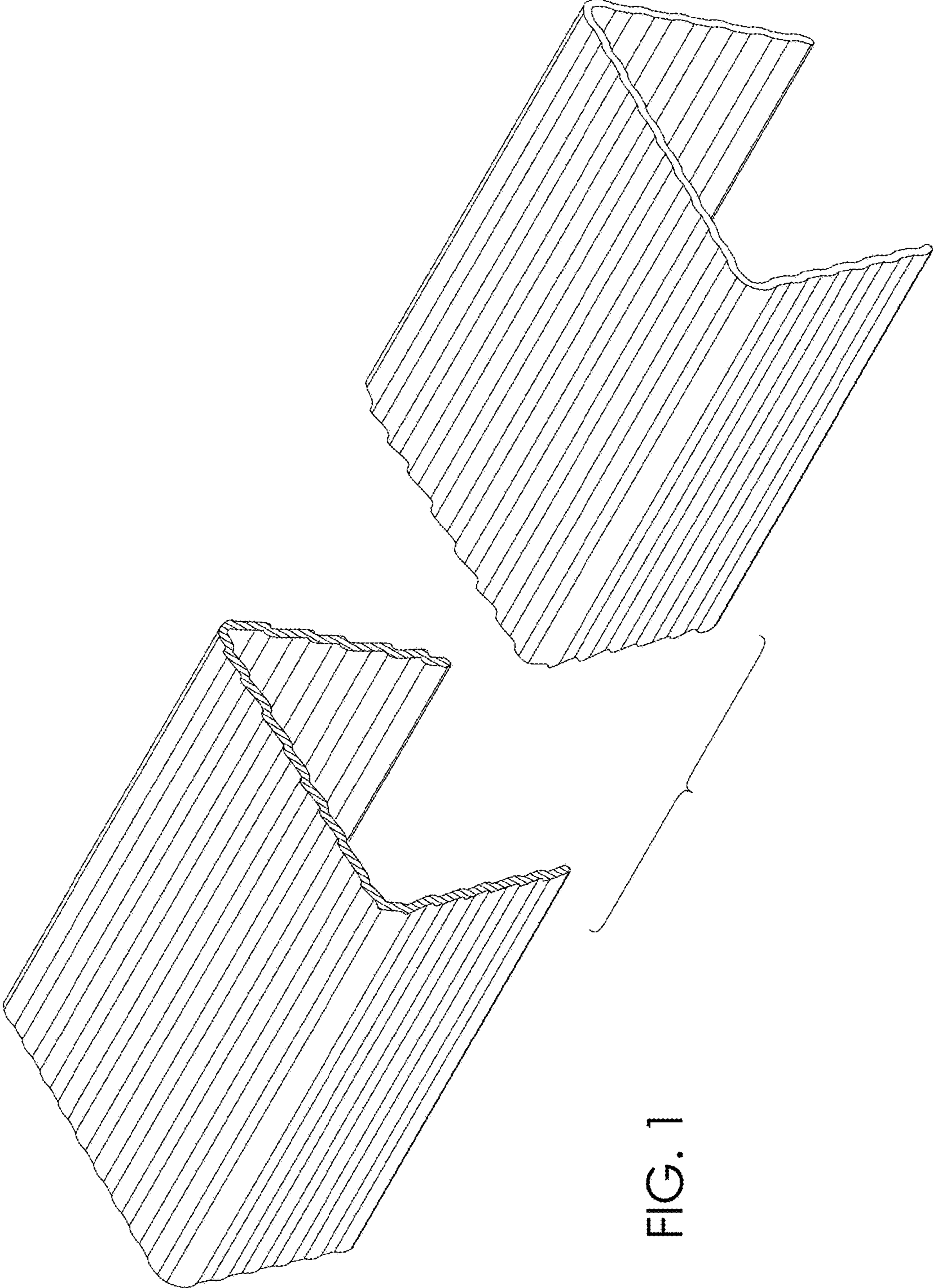


FIG. 1

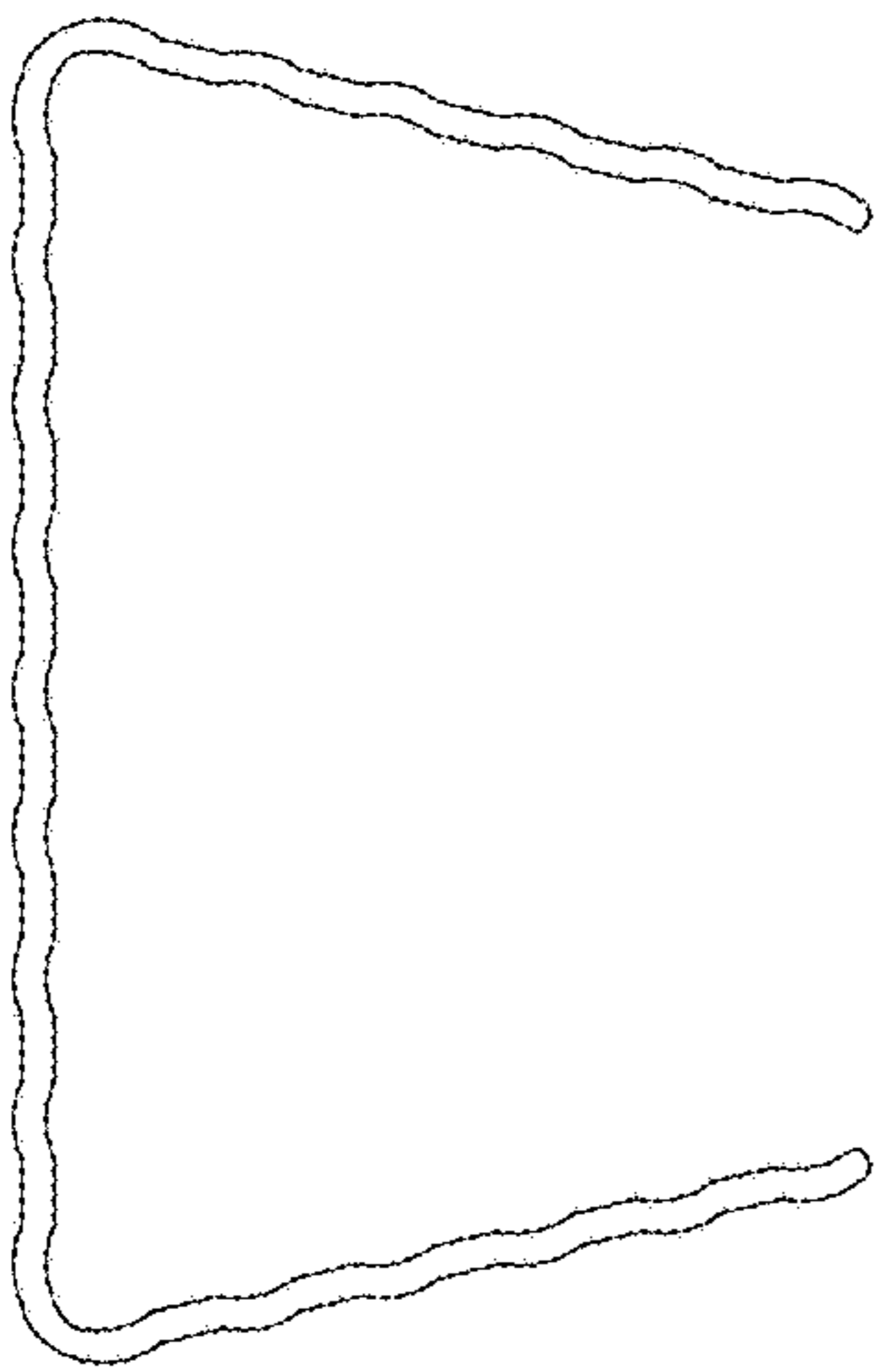


FIG. 2

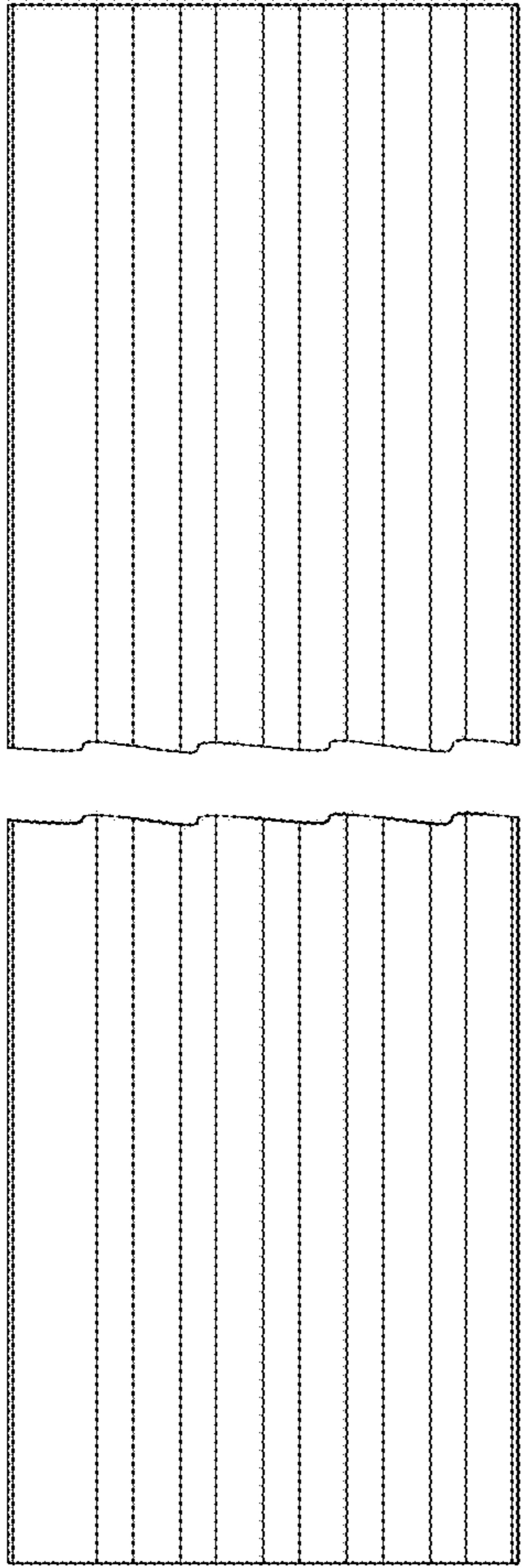


FIG. 3

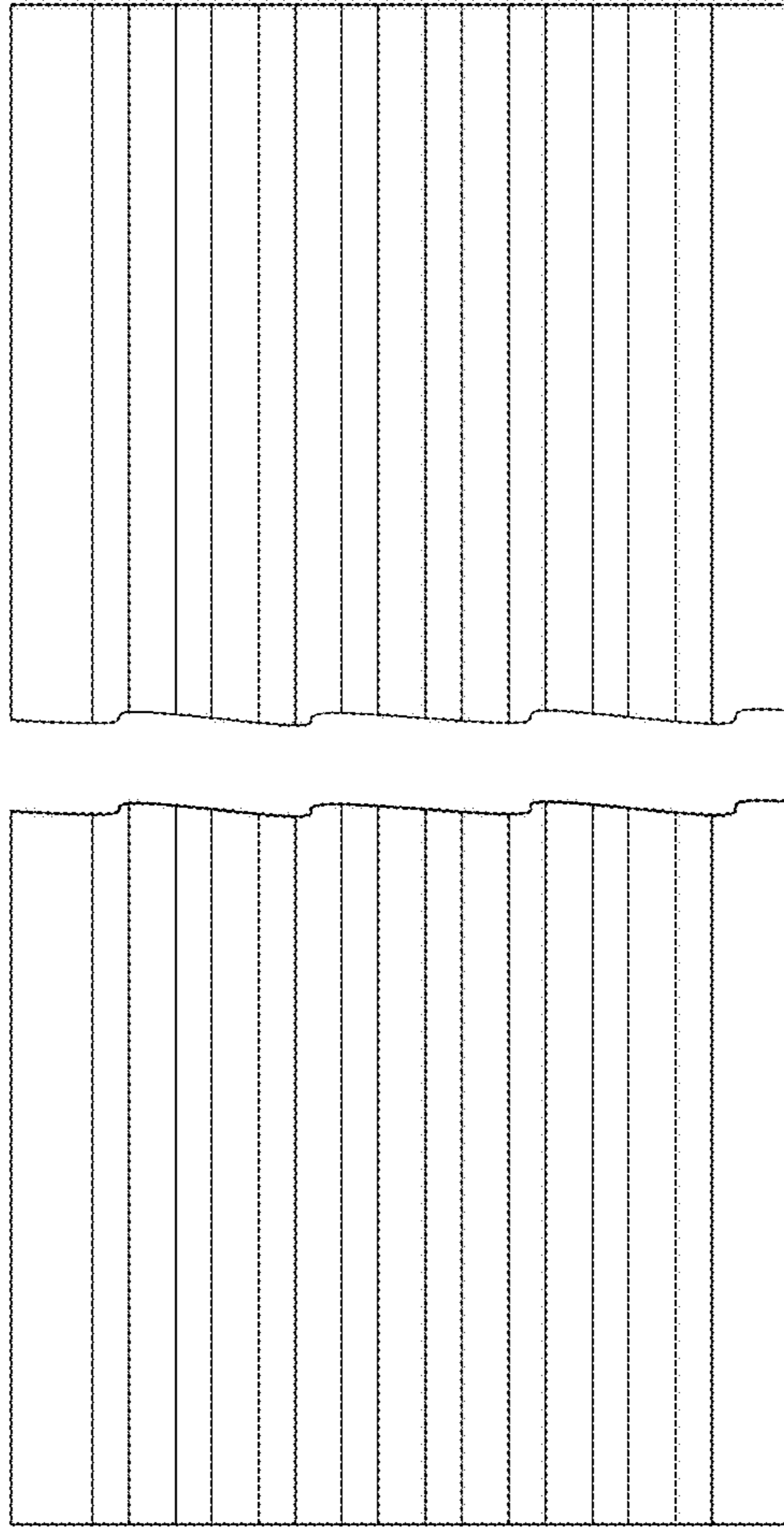


FIG. 4

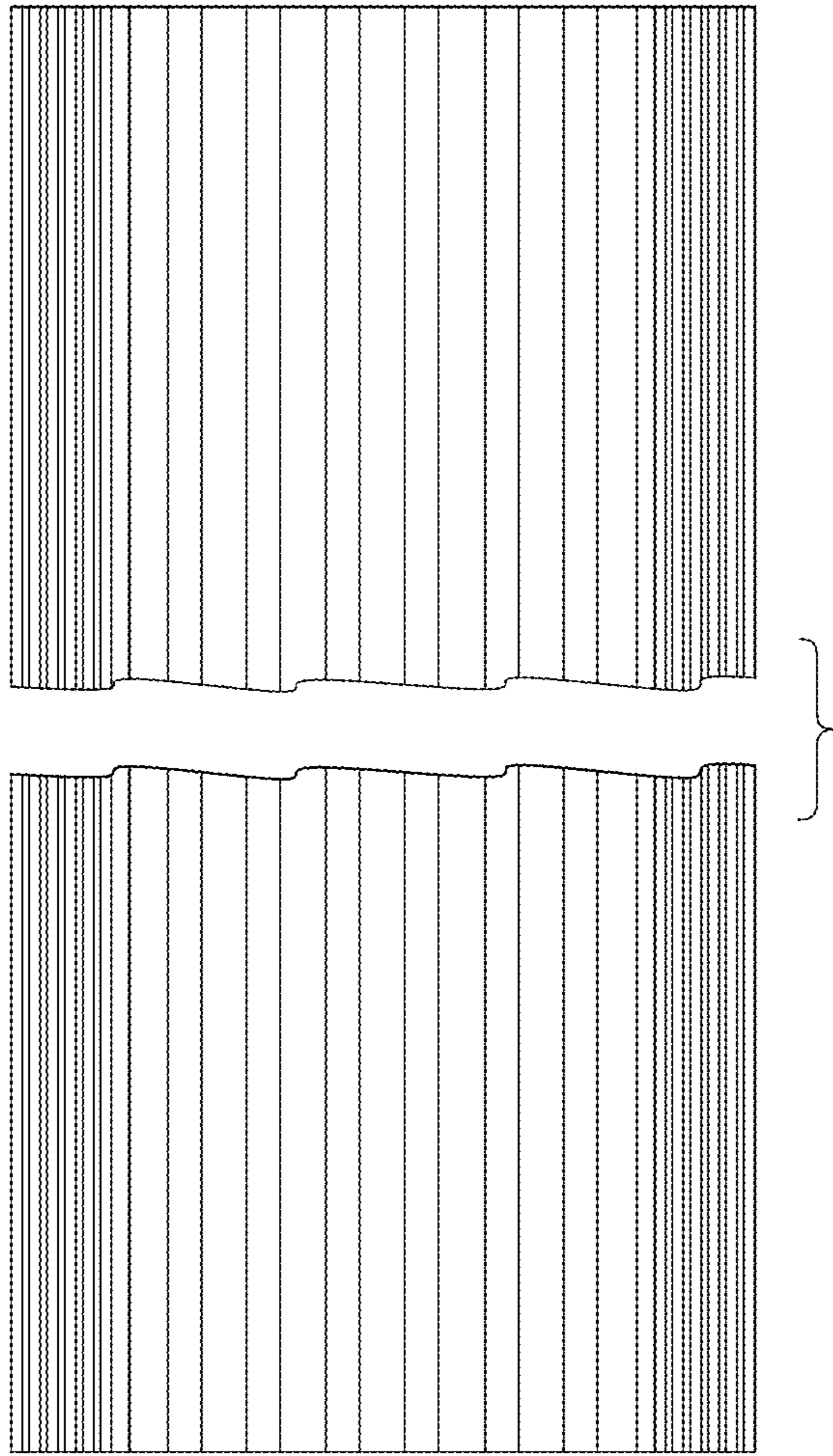


FIG. 5