



US00D815758S

(12) **United States Design Patent** (10) **Patent No.:** **US D815,758 S**
Hendry (45) **Date of Patent:** **** Apr. 17, 2018**

(54) **STRUCTURAL BEAM FOR A SCREEN ENCLOSURE**

(71) Applicant: **Thomas G. Hendry**, Lehigh Acres, FL (US)

(72) Inventor: **Thomas G. Hendry**, Lehigh Acres, FL (US)

(**) Term: **15 Years**

(21) Appl. No.: **29/585,761**

(22) Filed: **Nov. 29, 2016**

Related U.S. Application Data

(63) Continuation-in-part of application No. 15/211,898, filed on Jul. 15, 2016, now Pat. No. 9,605,425, which is a continuation-in-part of application No. 14/660,673, filed on Mar. 17, 2015, now Pat. No. 9,422,711.

(51) **LOC (11) Cl.** **25-01**

(52) **U.S. Cl.**
USPC **D25/126**

(58) **Field of Classification Search**
USPC D25/119, 126, 127, 128, 129, 130, 131, D25/132, 133, 134, 135; 52/633, 656.7, 52/149, 345, 831, 832, 833, 834, 835; 248/228.1, 214, 218.4, 219.1, 219.2, 248/219.3, 220.21, 220.22; 403/292, 294, 403/295, 170, 174, 178, 205, 217
CPC E04H 12/24; E04H 15/34; E04H 17/1421
See application file for complete search history.

(56) **References Cited**

U.S. PATENT DOCUMENTS

4,841,688 A * 6/1989 Rinaldi E04H 15/322
52/63
D454,962 S * 3/2002 Grace D25/119

7,155,874 B2 * 1/2007 Lee E04B 1/24
52/843
D603,065 S * 10/2009 Hamilton D25/126
D739,960 S * 9/2015 Britton D25/126
9,422,711 B1 * 8/2016 Hendry E04B 1/2403
9,605,425 B1 * 3/2017 Hendry E06B 9/52
2007/0180786 A1 * 8/2007 Sotuyo E06B 5/003
52/456
2008/0190068 A1 * 8/2008 Tapscott E04B 1/2403
52/690

* cited by examiner

Primary Examiner — Garth Rademaker
Assistant Examiner — Samantha Q Lawrence
(74) *Attorney, Agent, or Firm* — Hanrahan Law Firm, P.A.; Benjamin M. Hanrahan

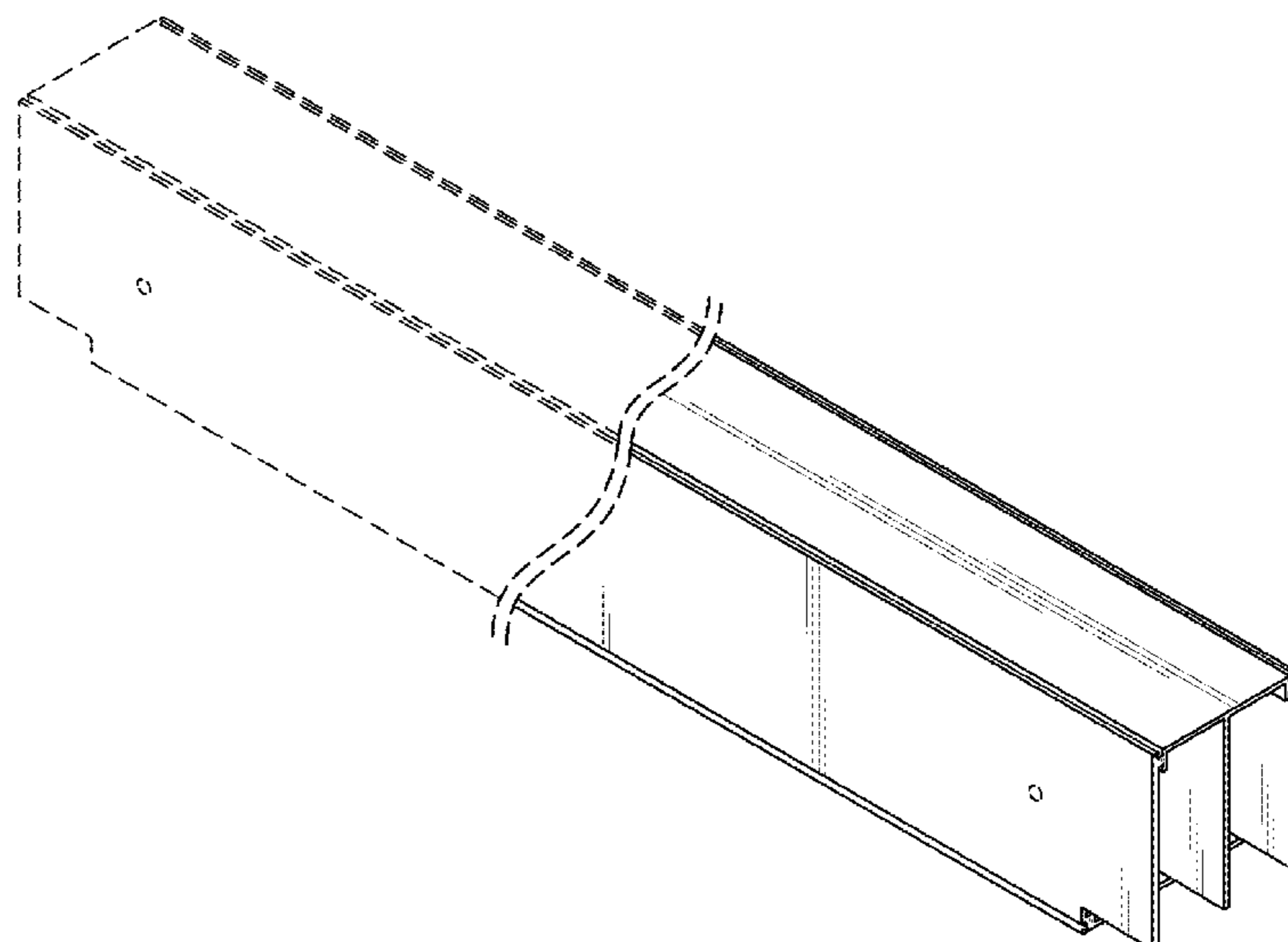
(57) **CLAIM**

The ornamental design for a structural beam for a screen enclosure, as shown and described.

DESCRIPTION

FIG. 1 is a perspective view illustrating my design for a structural beam for a screen enclosure.
FIG. 2 is a front end view thereof.
FIG. 3 is a rear end view thereof.
FIG. 4 is a left side view thereof.
FIG. 5 is a right side view thereof.
FIG. 6 is a top view thereof.
FIG. 7 is a bottom view thereof; and,
FIG. 8 is another perspective view with environmental subject matter.
The broken lines shown in FIG. 1 and FIGS. 3-8 illustrate portions of the structural beam for a screen enclosure that form no part of the claimed design. The additional broken lines shown in FIG. 8 represent environment. The break lines shown in the center of the beam indicate a symbolic break in length. The appearance of any portion of the article between the break lines forms no part of the claimed design.

1 Claim, 5 Drawing Sheets



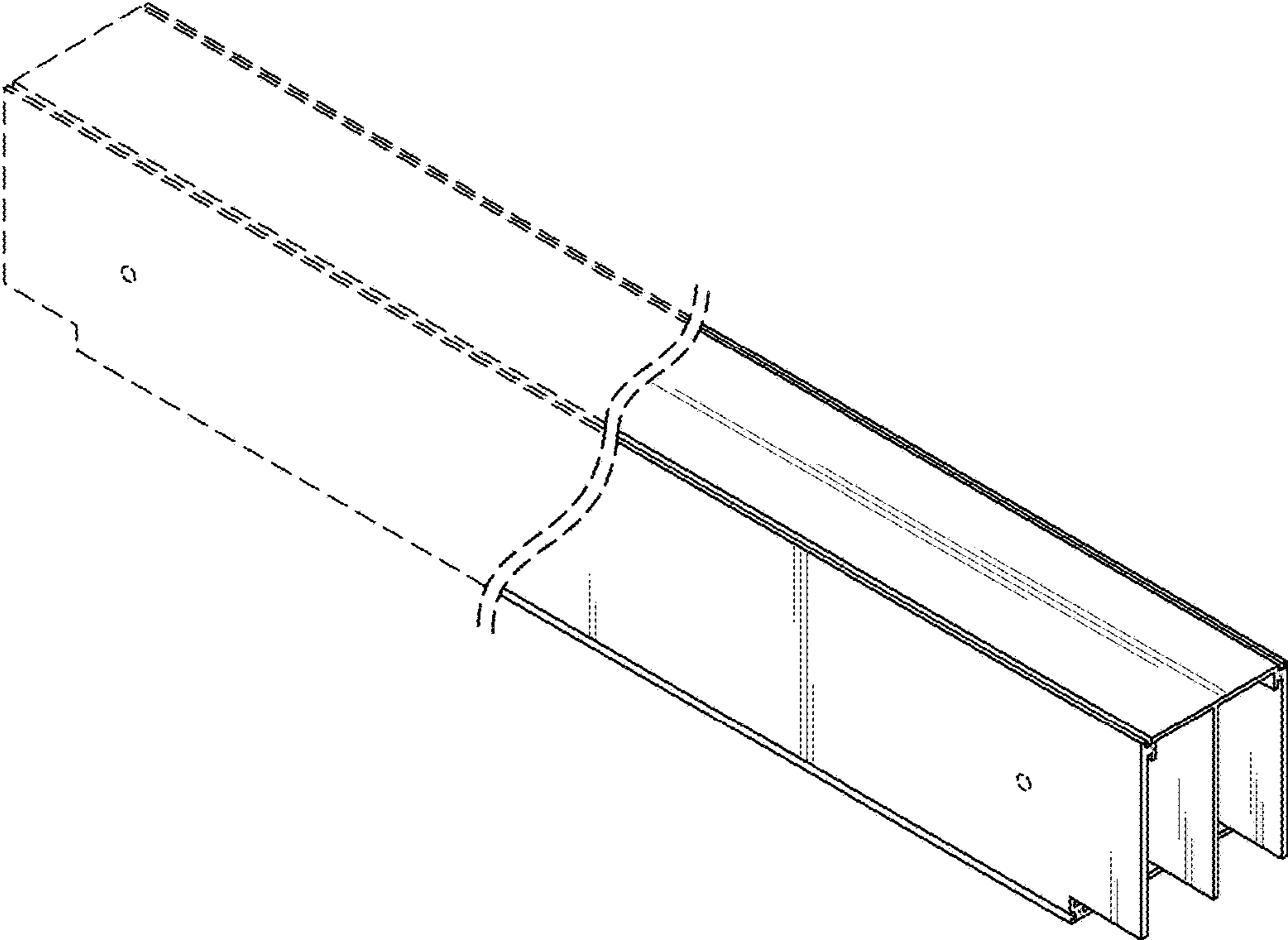


FIG. 1

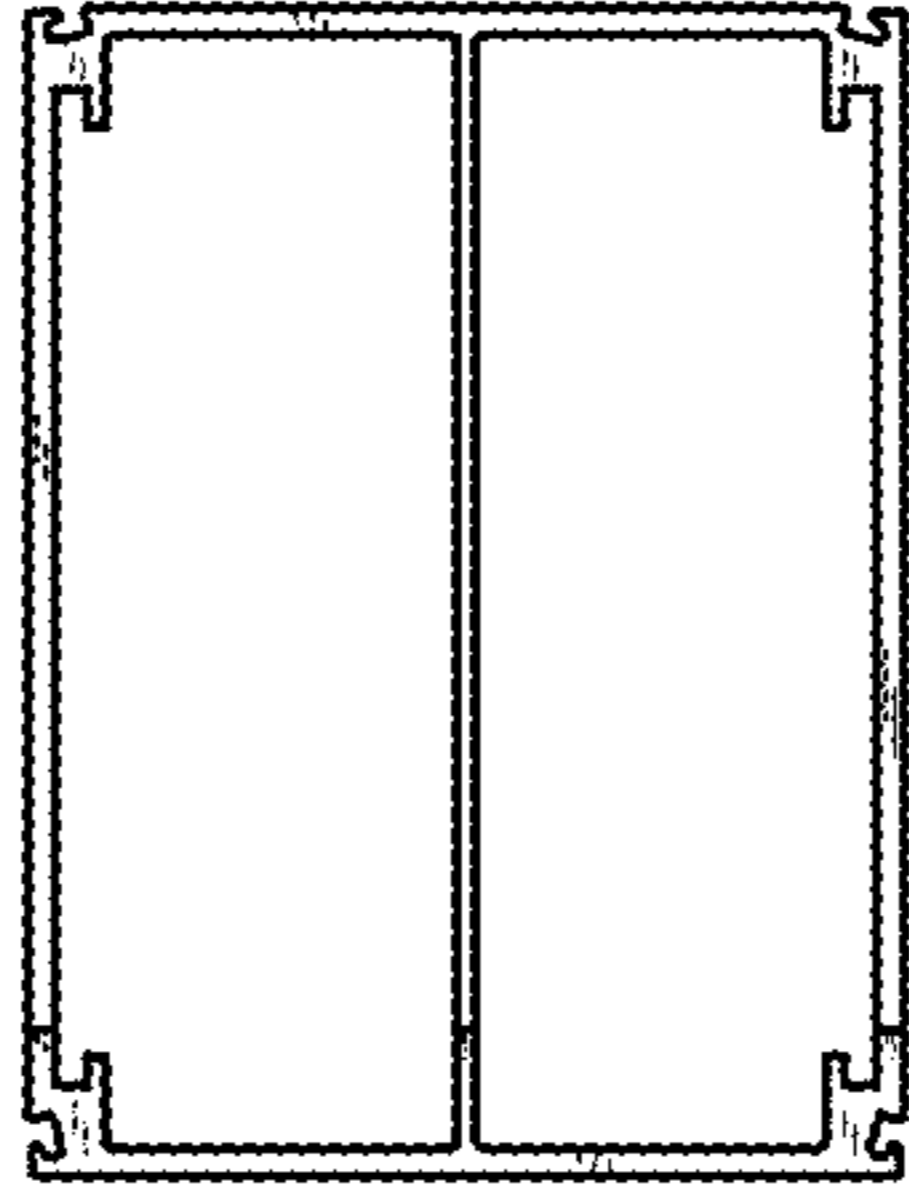


FIG. 2



FIG. 3

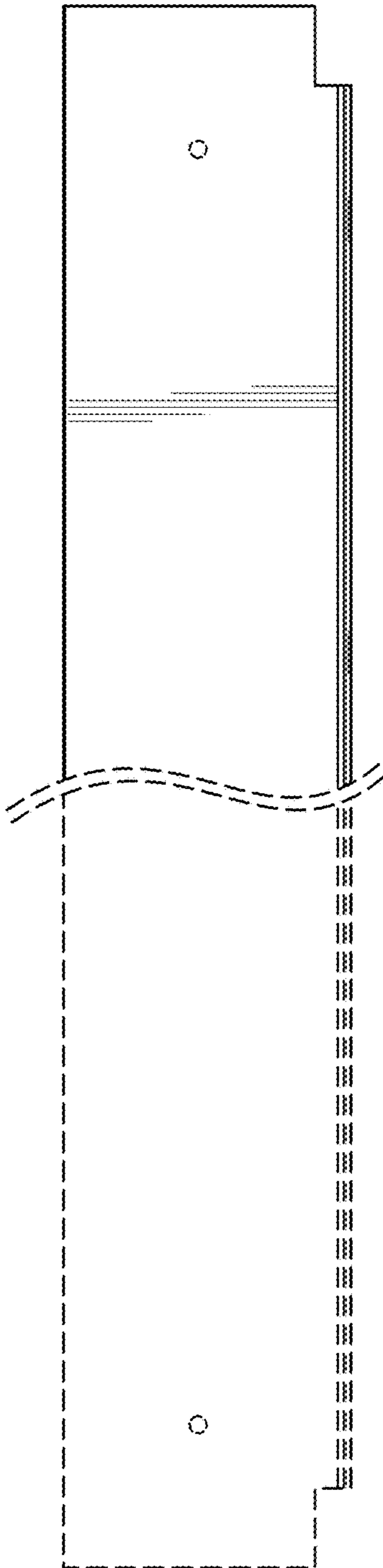


FIG. 4

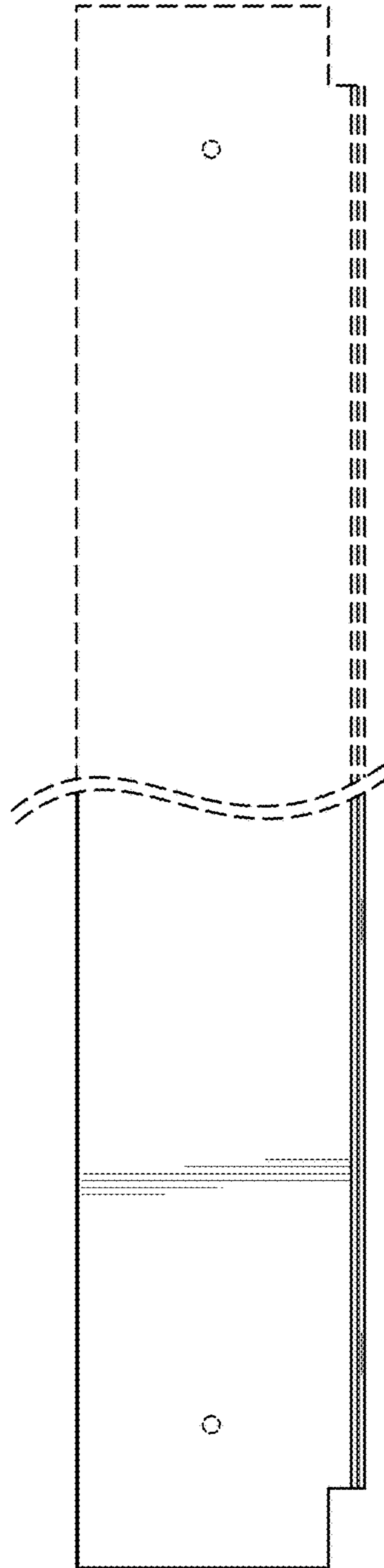


FIG. 5

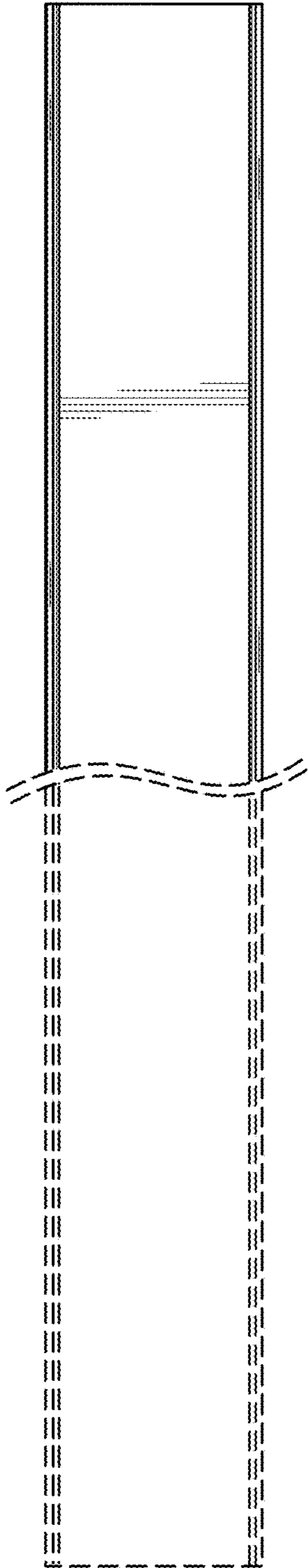


FIG. 6

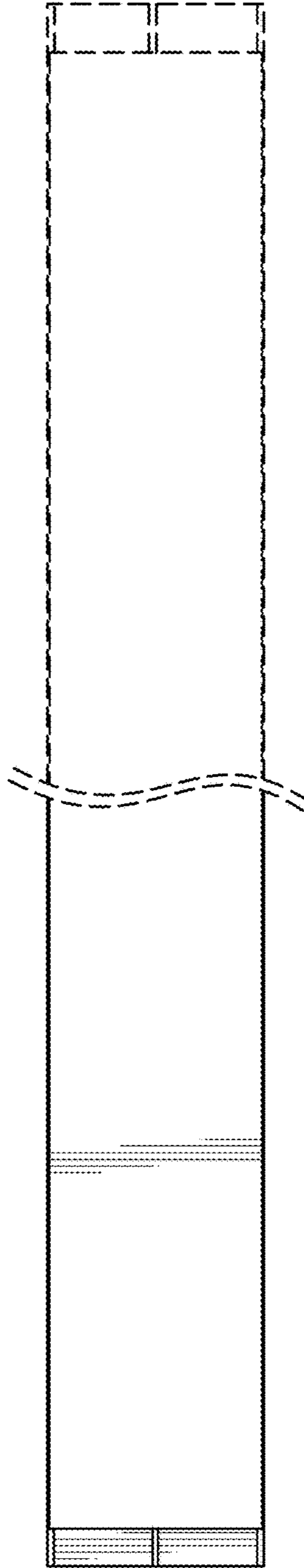


FIG. 7

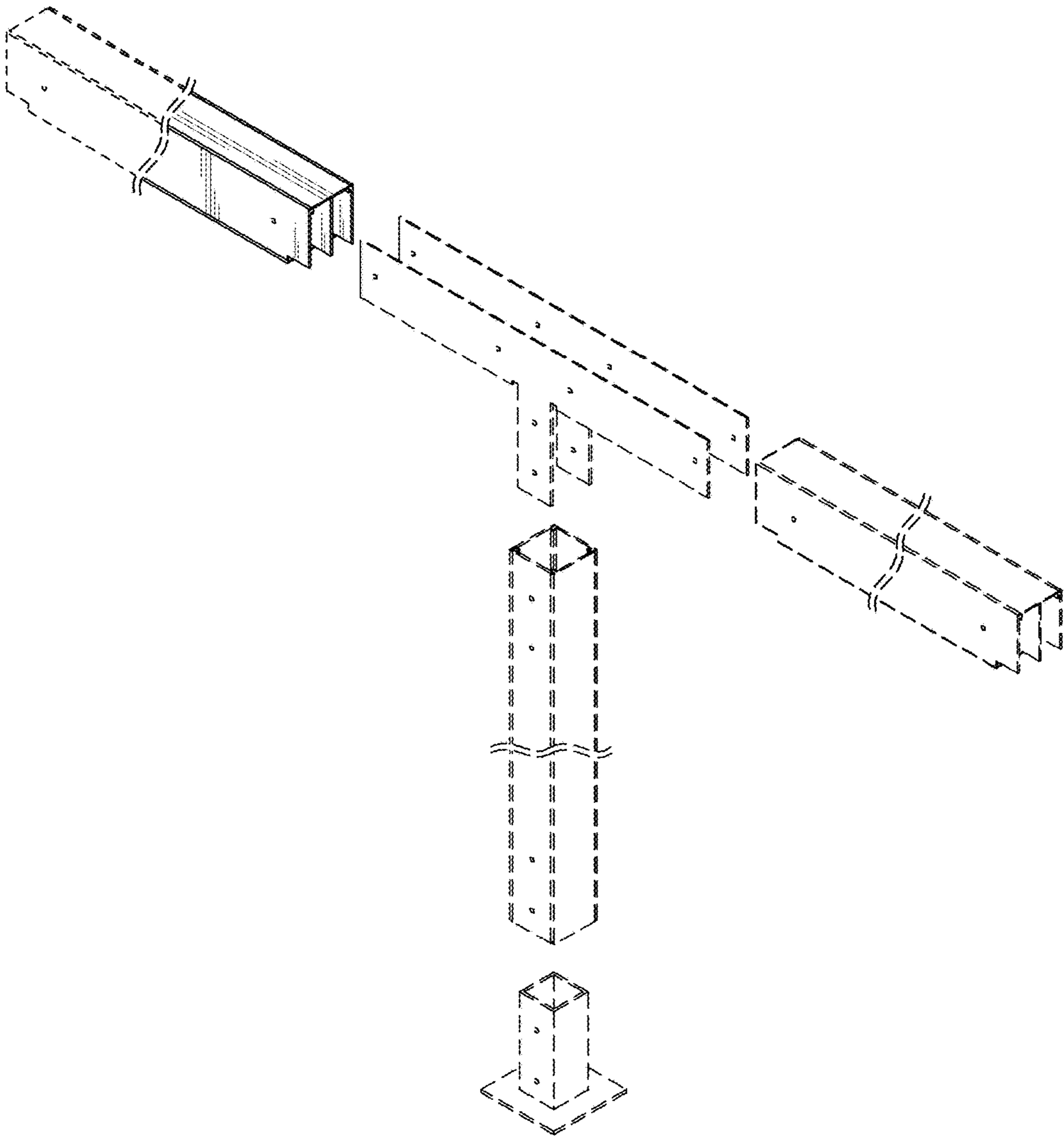


FIG. 8