



US00D815757S

(12) **United States Design Patent** (10) **Patent No.:** **US D815,757 S**
Braun (45) **Date of Patent:** **** *Apr. 17, 2018**

(54) **BASE TRIM**

(71) Applicant: **R. H. Tamlyn & Sons, LP**, Stafford, TX (US)

(72) Inventor: **Wayne Harold Braun**, Houston, TX (US)

(73) Assignee: **R. H. Tamlyn & Sons, LP**, Stafford, TX (US)

(*) Notice: This patent is subject to a terminal disclaimer.

(**) Term: **15 Years**

(21) Appl. No.: **29/557,975**

(22) Filed: **Mar. 14, 2016**

(51) **LOC (11) Cl.** **25-02**

(52) **U.S. Cl.**
USPC **D25/119**

(58) **Field of Classification Search**
USPC D25/35, 47.1, 48.1, 48.2, 48.3, 48.4, D25/48.7, 55, 56, 58-61, 119-132, 138,
(Continued)

(56) **References Cited**

U.S. PATENT DOCUMENTS

3,462,900 A 8/1969 Morrissey
3,487,598 A 1/1970 Lopina
(Continued)

OTHER PUBLICATIONS

“U.S. Appl. No. 15/089,112, Final Office Action dated Jul. 19, 2017”, 9 pgs.

(Continued)

Primary Examiner — Cynthia Ramirez
Assistant Examiner — Llorelys Martinez-Rivera

(74) *Attorney, Agent, or Firm* — Schwegman Lundberg & Woessner, P.A.

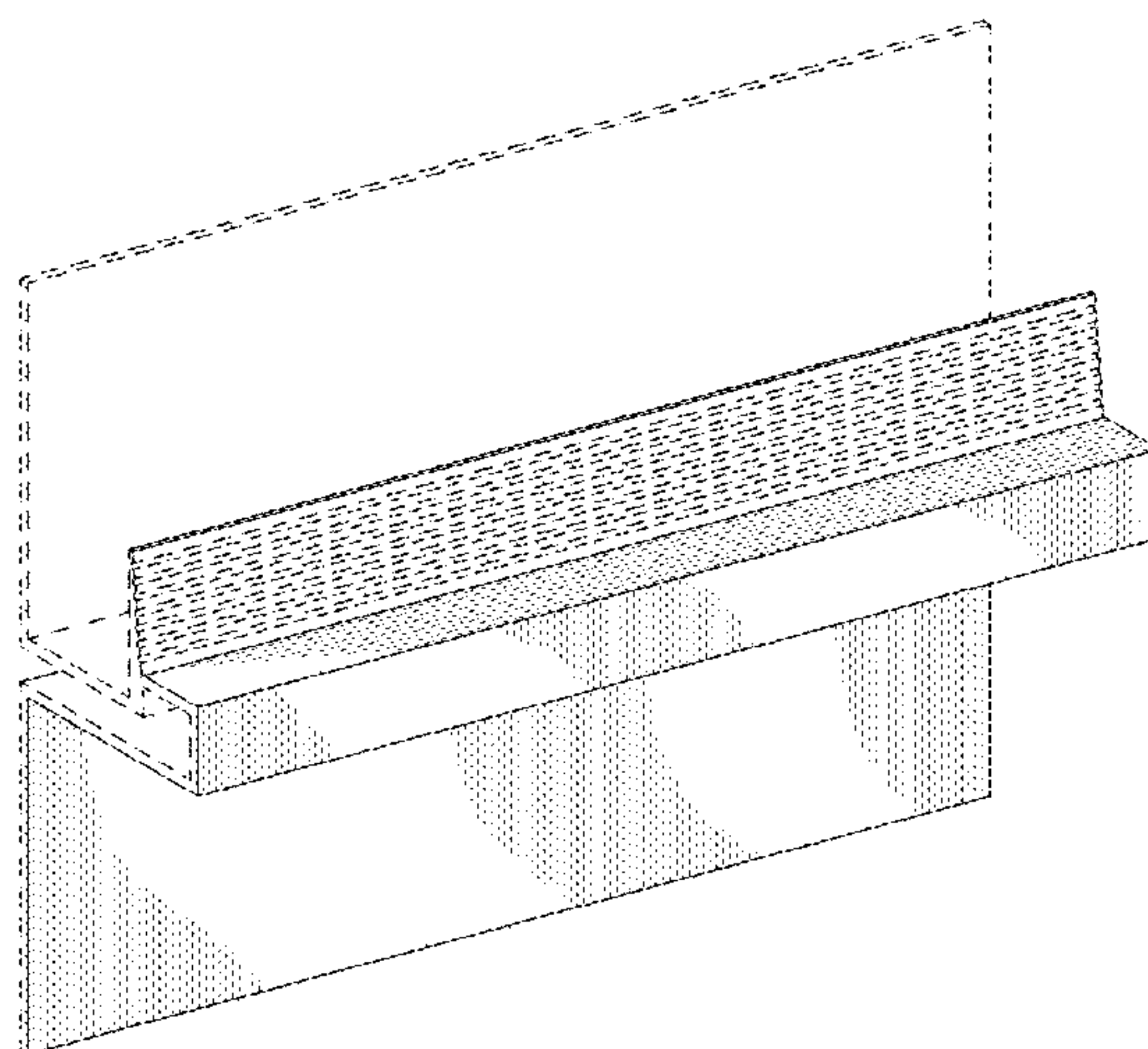
(57) **CLAIM**

The ornamental design for a base trim, as shown and described.

DESCRIPTION

FIG. 1 is a perspective view of a first embodiment of a base trim, showing my new design.
FIG. 2 is a side elevation view thereof.
FIG. 3 is an opposite side view thereof.
FIG. 4 is a front elevation view thereof.
FIG. 5 is a rear elevation view thereof.
FIG. 6 is a top plan view thereof.
FIG. 7 is a bottom plan view thereof.
FIG. 8 is a another perspective view thereof, showing the base trim in a first configuration of use.
FIG. 9 is another perspective view thereof, showing the base trim in a second configuration of use.
FIG. 10 is a perspective view of a second embodiment of the base trim, showing my new design.
FIG. 11 is a side elevation view thereof.
FIG. 12 is an opposite side view thereof.
FIG. 13 is a front elevation view thereof.
FIG. 14 is a rear elevation view thereof.
FIG. 15 is a top plan view thereof.
FIG. 16 is a bottom plan view thereof.
FIG. 17 is another perspective thereof, showing the base trim in a first configuration of use.
FIG. 18 is another perspective view thereof, showing the base trim in a second configuration of use; and,
FIG. 19 is another perspective view thereof, showing the base trim in a third configuration of use.
The broken lines immediately adjacent the shaded areas represent the boundaries of the claimed design while all other broken lines are directed to environment and are for illustrative purposes only; the broken lines form no part of the claimed design.

1 Claim, 15 Drawing Sheets



(58) **Field of Classification Search**

USPC D25/139, 164; 52/58, 68, 96, 97, 204.5,
 52/204.53, 208, 209, 255, 254, 287.1,
 52/293.3, 302.6, 443, 444, 716.1, 716.2,
 52/716.6-716.8, 717.01, 717.03
 CPC E04F 19/00; E04F 19/02; E04F 19/022;
 E04F 19/026; E04F 19/04; E04F 19/06;
 E04F 19/061; E04F 13/00; E04B 2/00;
 E04B 7/00; E04B 5/12; E04C 3/02; E04C
 3/04; E04C 3/12; E04C 3/292; E04C
 2003/0404; E04C 2003/0452; E04C
 2003/046; E04C 2003/0482; E04D 13/15;
 E04D 13/0459; E04D 1/36

See application file for complete search history.

7,634,883	B1	12/2009	Larson et al.	
D620,622	S *	7/2010	Steel	D25/164
D624,212	S *	9/2010	Sawyer	D25/136
8,104,234	B1 *	1/2012	Sawyer	E04D 13/158 52/716.1
D653,771	S *	2/2012	Olmsted	D25/138
D656,603	S *	3/2012	Egan	D25/55
D679,419	S *	4/2013	Gori	D25/119
8,635,828	B2	1/2014	Bahnmler	
D745,189	S *	12/2015	Stoesser	D25/125
2008/0005986	A1	1/2008	Thompson	
2008/0066419	A1	3/2008	Stanchfield et al.	
2013/0205696	A1 *	8/2013	Little	E04F 13/06 52/716.1
2014/0250585	A1	9/2014	Slothower et al.	

(56)

References Cited

U.S. PATENT DOCUMENTS

3,494,085	A	2/1970	Bael	
3,568,391	A	3/1971	Conway	
4,008,549	A	2/1977	Dobija	
258,837	A	5/1982	Willison	
4,622,791	A	11/1986	Cook et al.	
6,298,609	B1	10/2001	Bifano et al.	
D460,197	S *	7/2002	Stringer	D25/48.8
6,591,559	B2	7/2003	Contreras et al.	
D486,921	S *	2/2004	Zyburt	D25/119
7,200,970	B2 *	4/2007	Koenig, Jr.	E04F 19/02 52/255
7,546,719	B1	6/2009	Guevara	

OTHER PUBLICATIONS

“U.S. Appl. No. 15/089,112, Non Final Office Action dated Nov. 18, 2016”.

“U.S. Appl. No. 15/089,112, Response filed Apr. 18, 2017 to Non Final Office Action dated Nov. 18, 2016”, 13 pgs.

“U.S. Appl. No. 29/557,975, Response filed Apr. 10, 2017 to Ex Parte Quayle Action dated Feb. 8, 2017”, 6 pgs.

“Canadian Application Serial No. 170,505, Office Action dated May, 26, 2017”, 1 pg.

“Canadian Application Serial No. 170,505, Response filed Apr. 21, 2017 to Office Action dated Dec. 21, 2016”, 14 pgs.

“Canadian Application Serial No. 170,505, Response filed Dec. 28, 2017 to led Sep. 28, 2017”, 5 pgs.

* cited by examiner

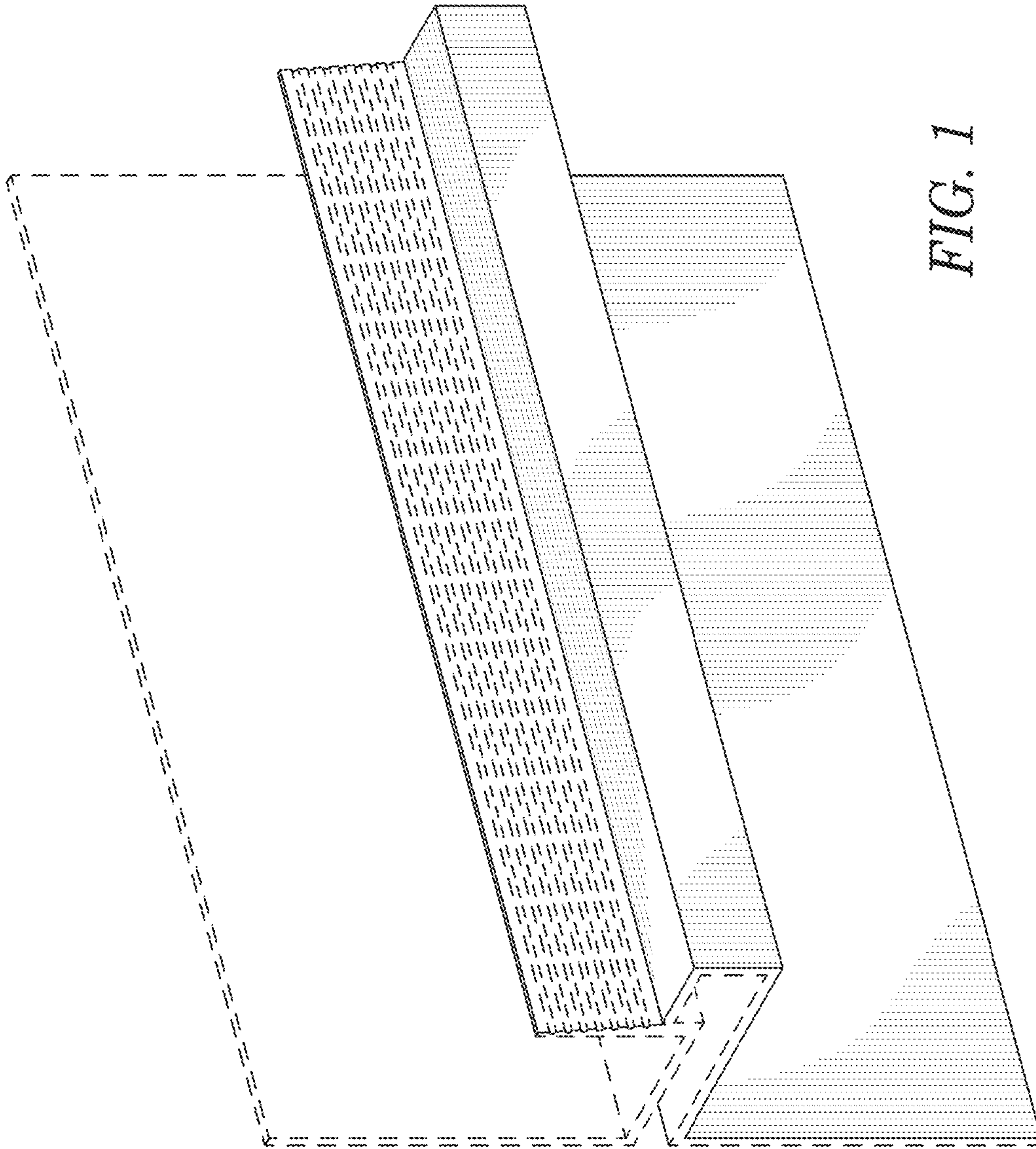


FIG. 1

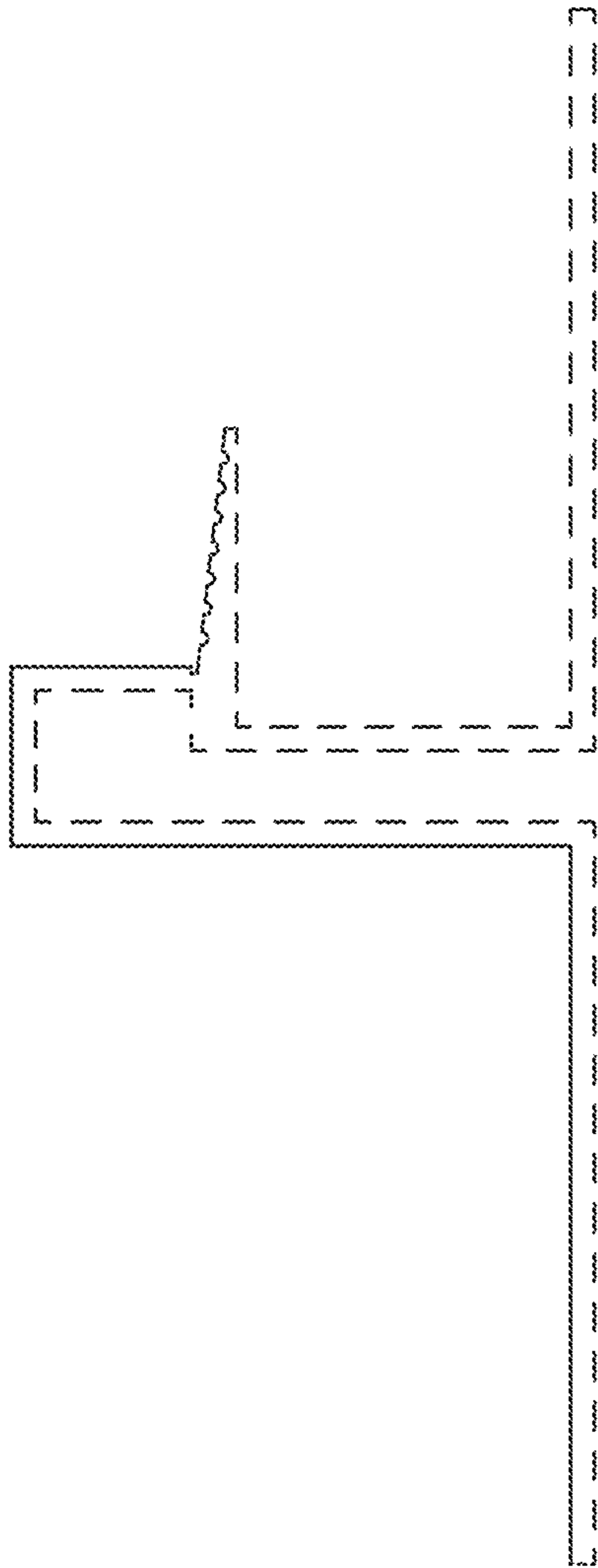


FIG. 2

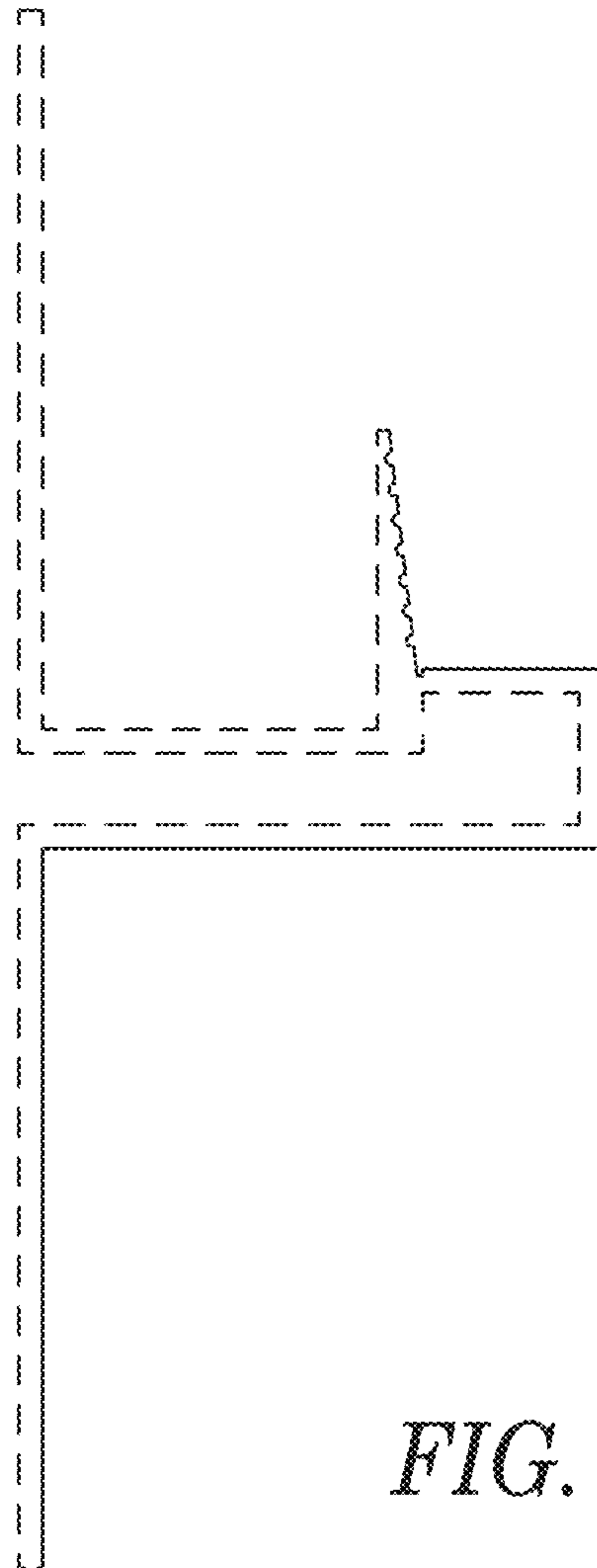


FIG. 3



FIG. 4



FIG. 5

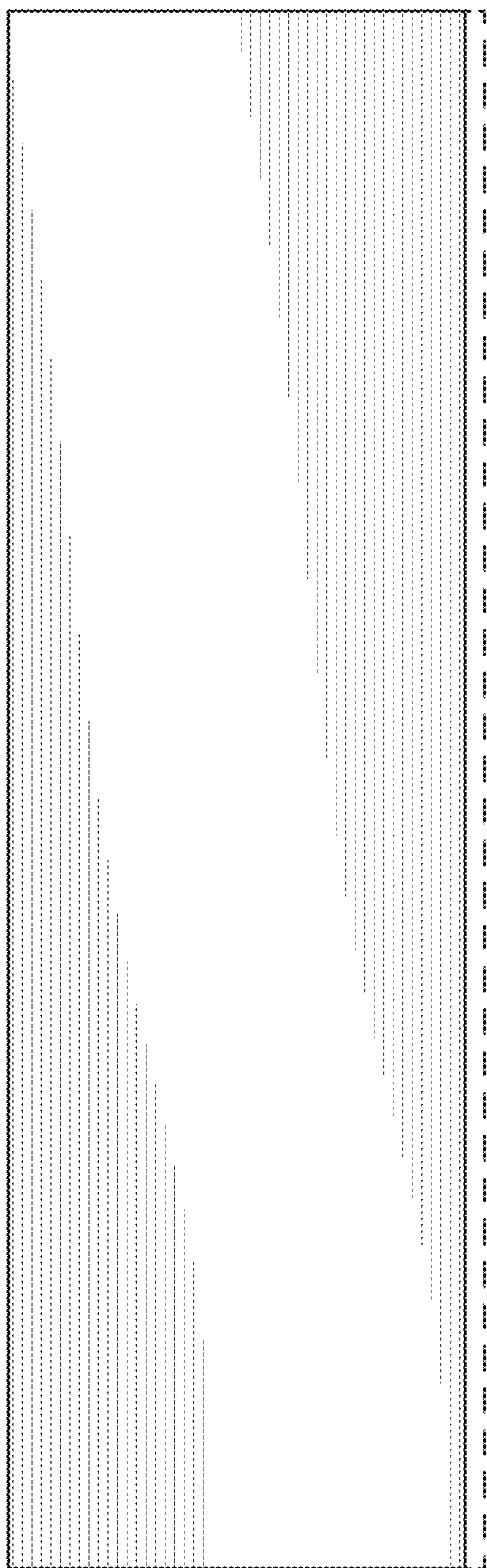


FIG. 7

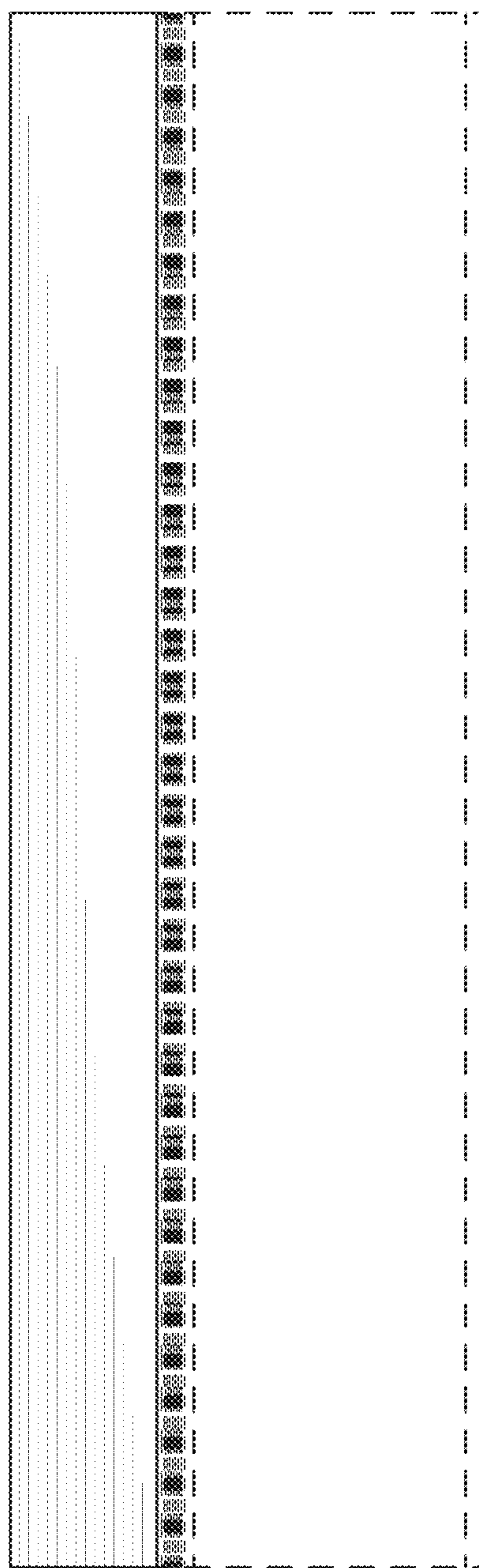


FIG. 6

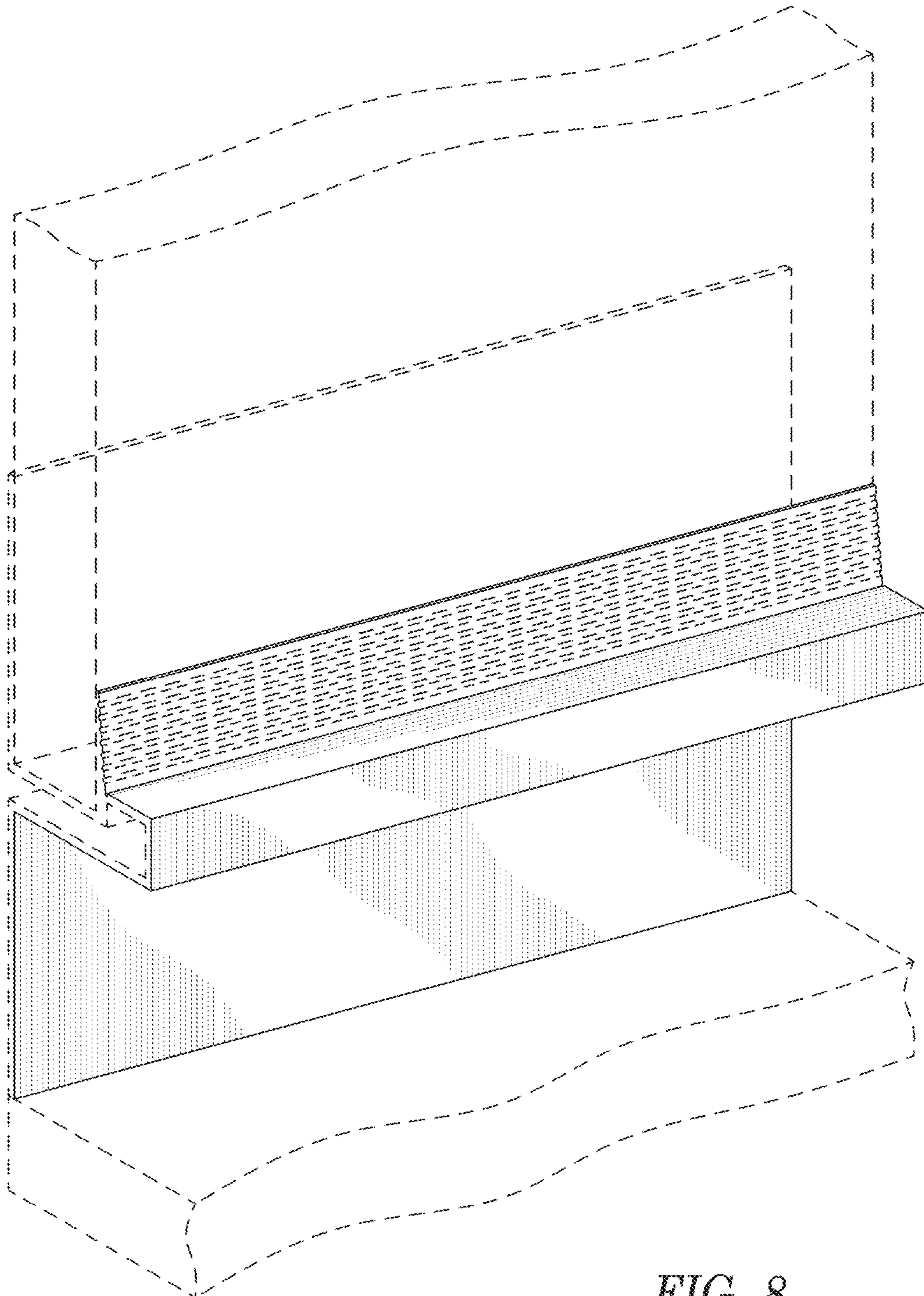


FIG. 8

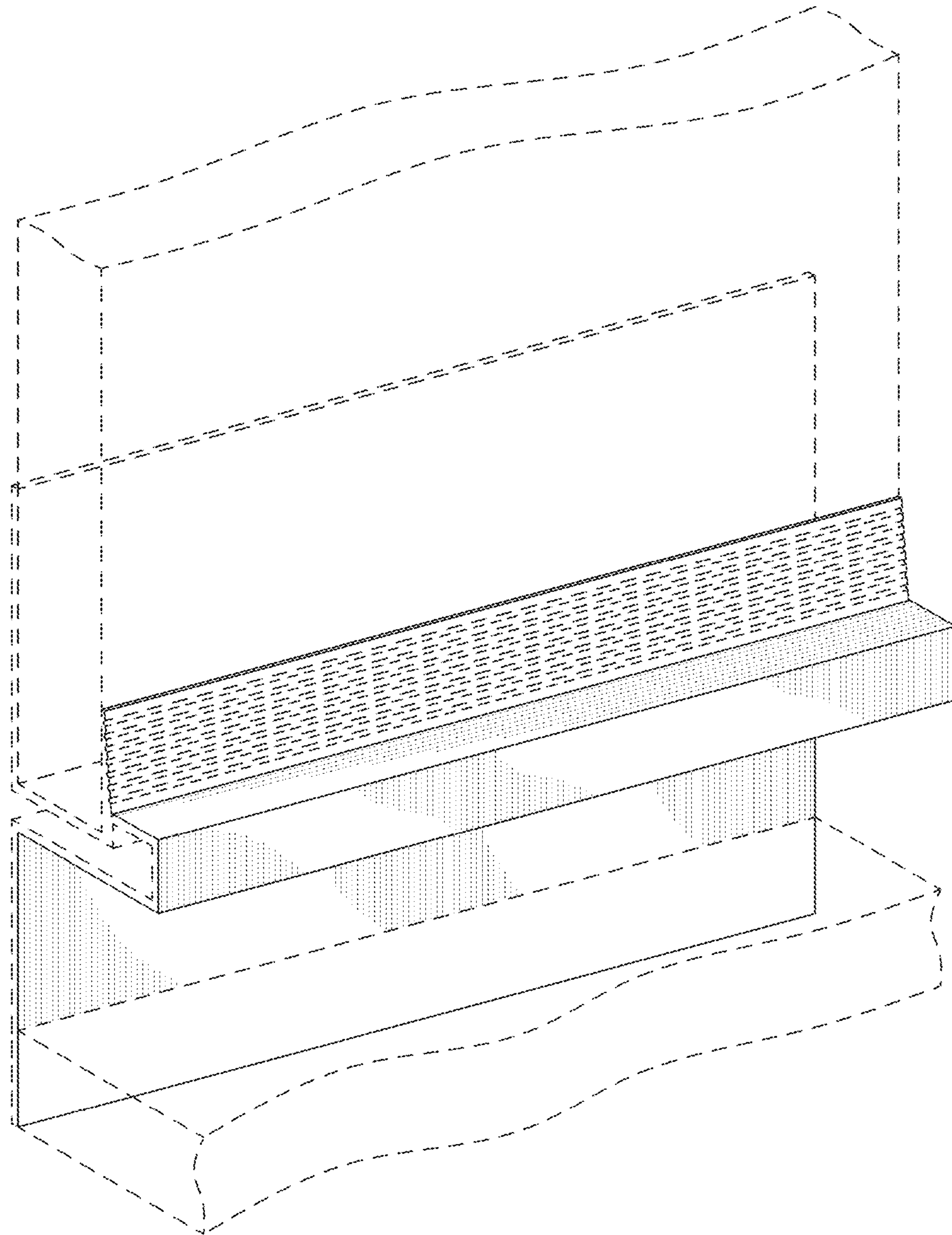


FIG. 9

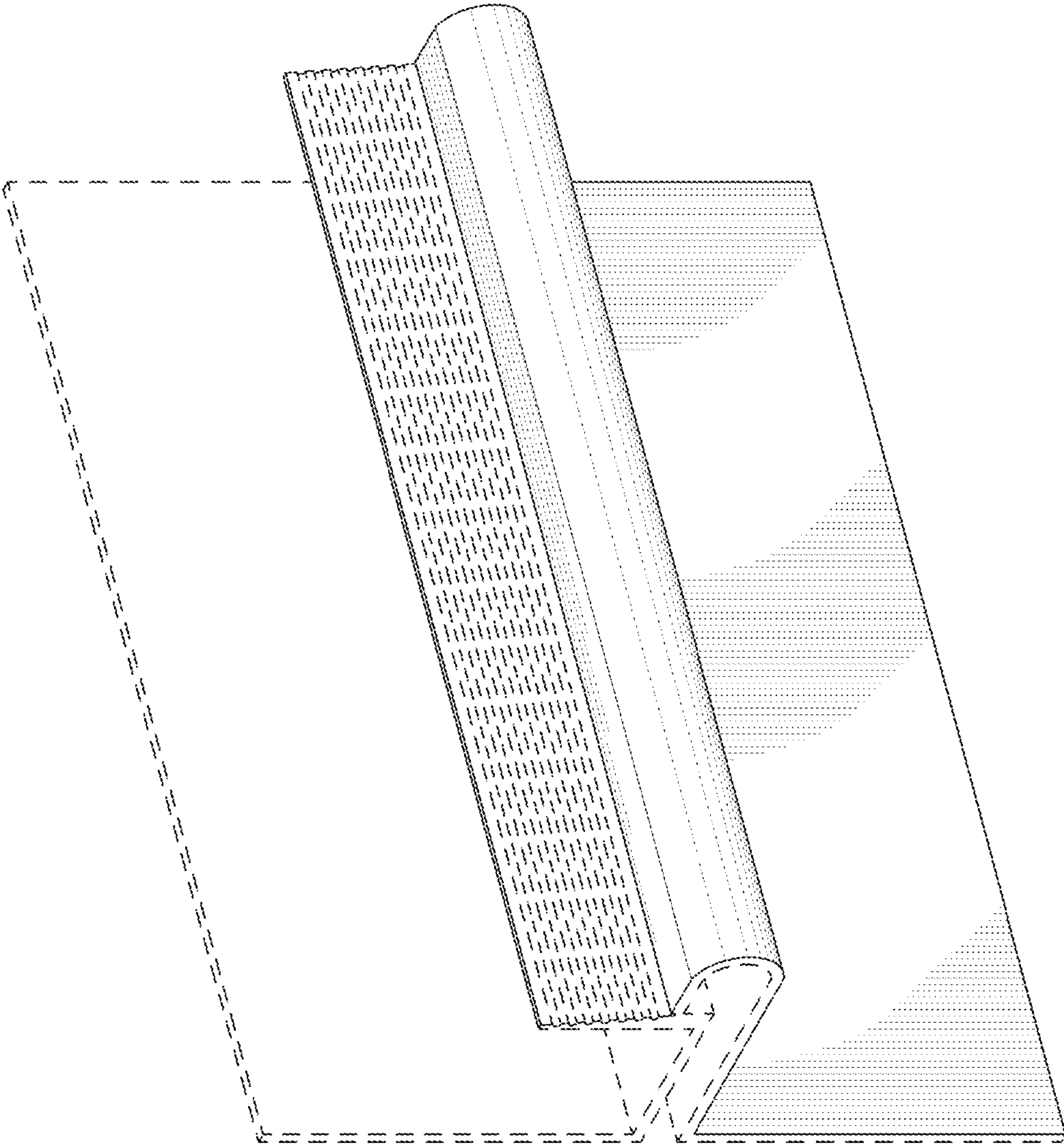


FIG. 10

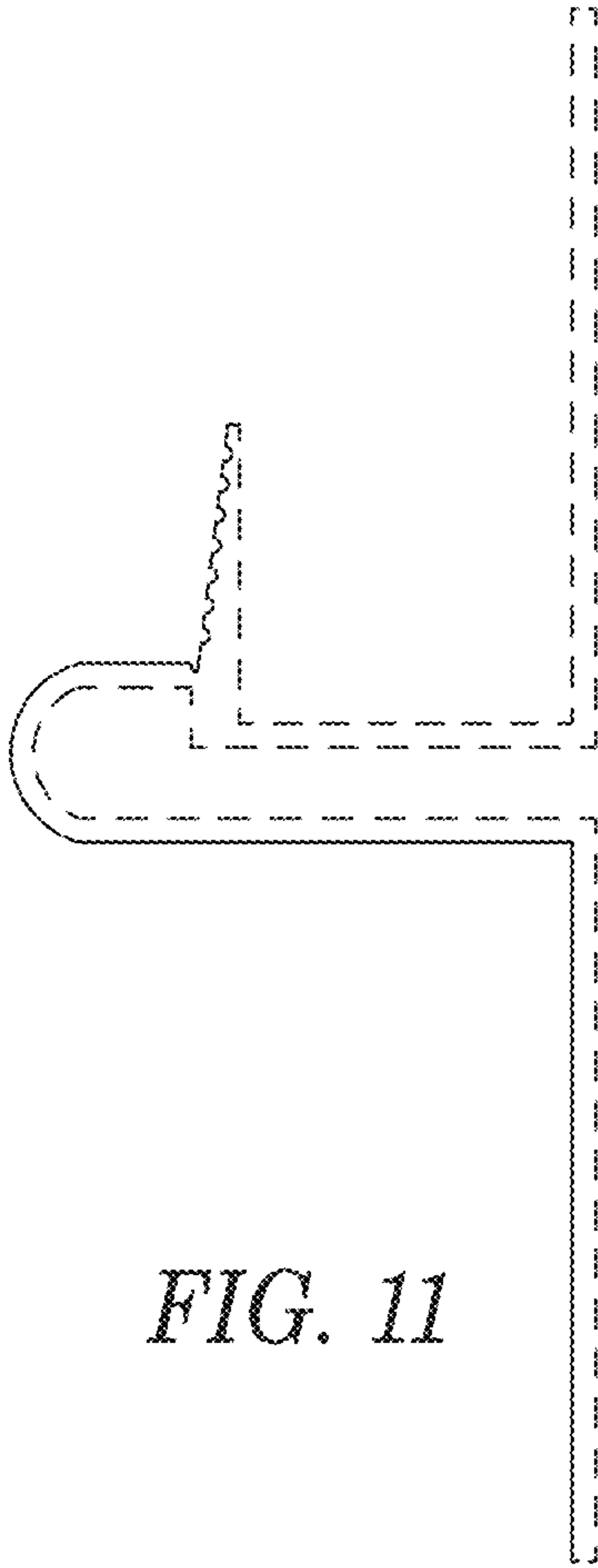


FIG. 11

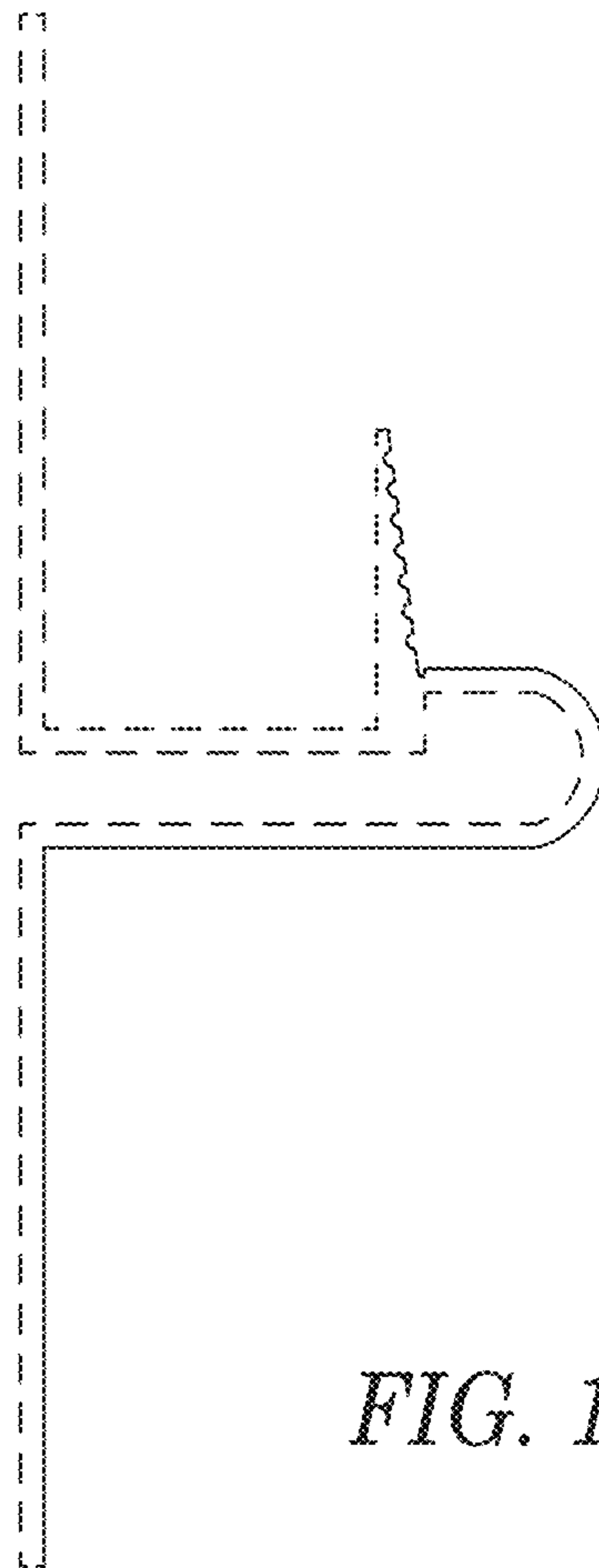


FIG. 12



FIG. 13



FIG. 14

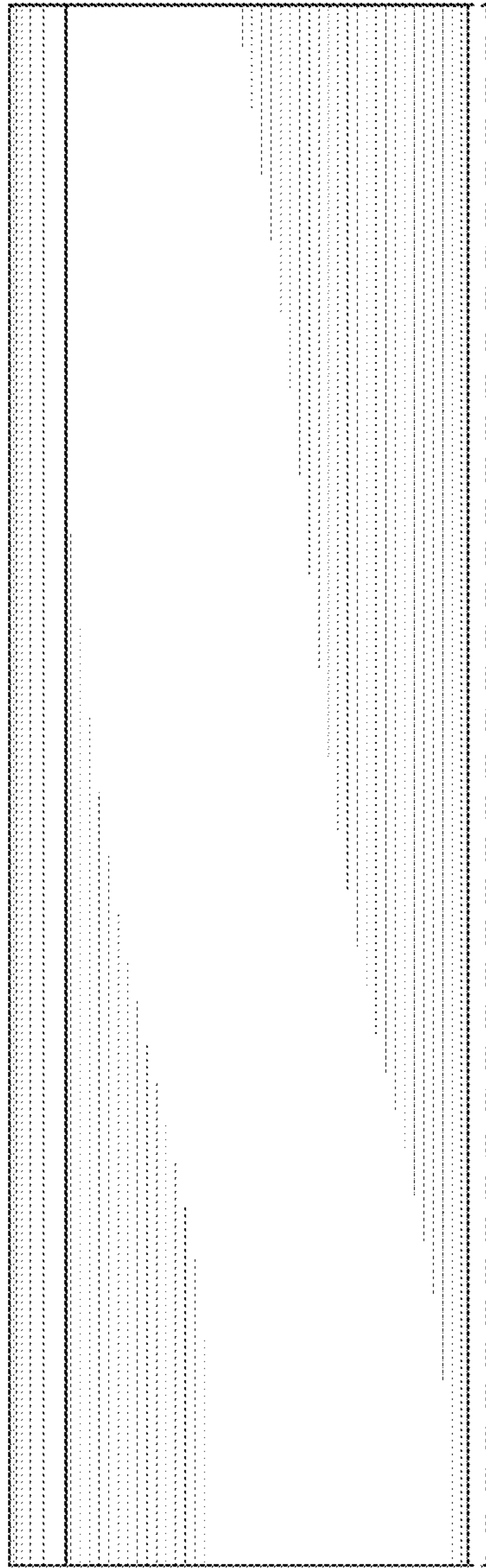


FIG. 16

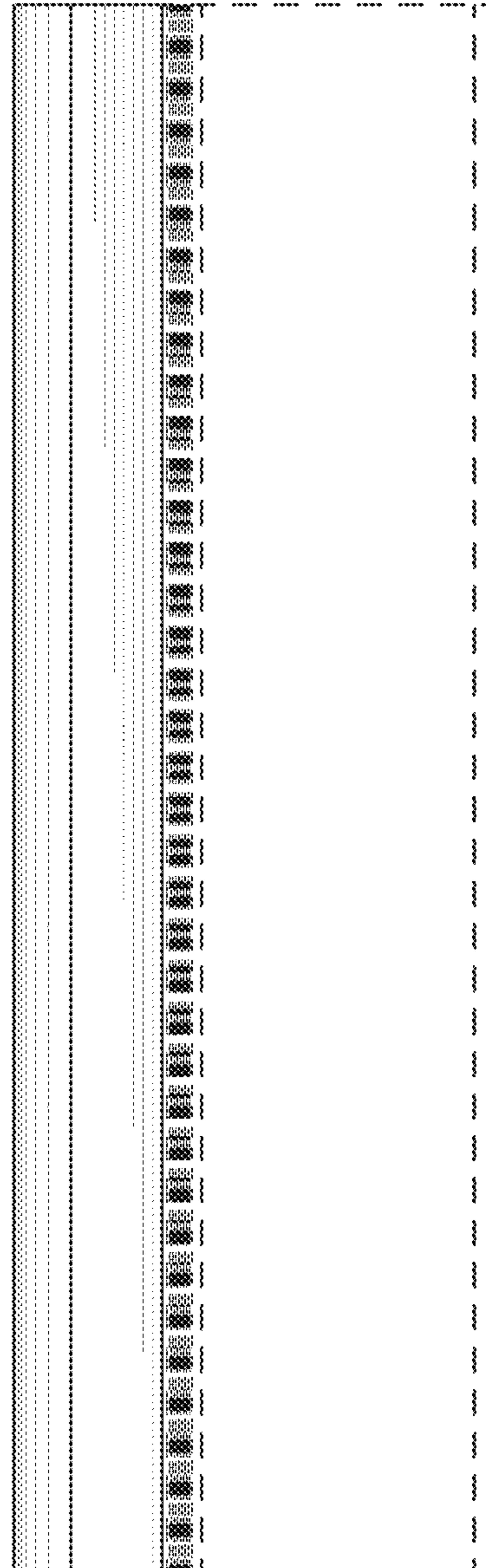


FIG. 15

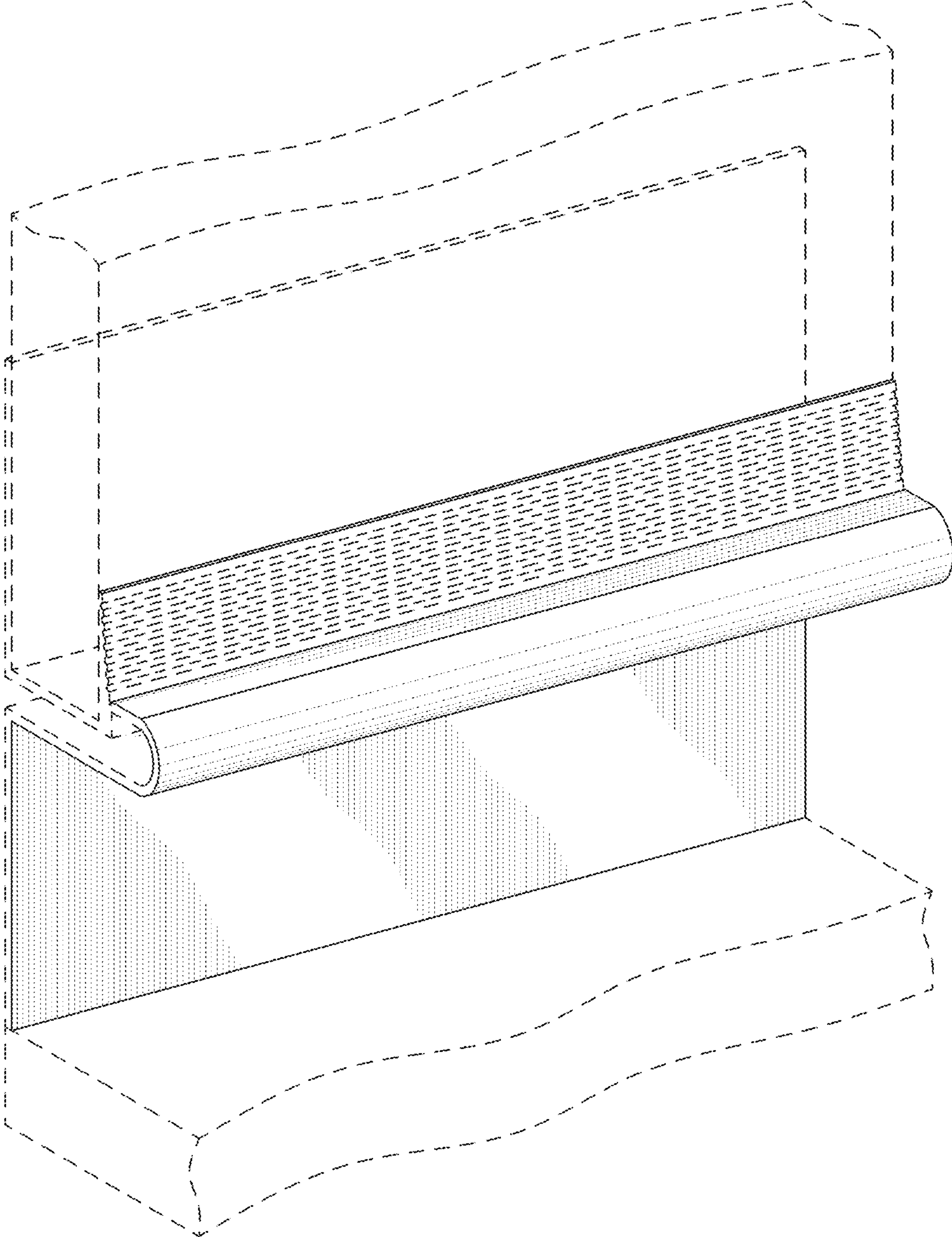


FIG. 17

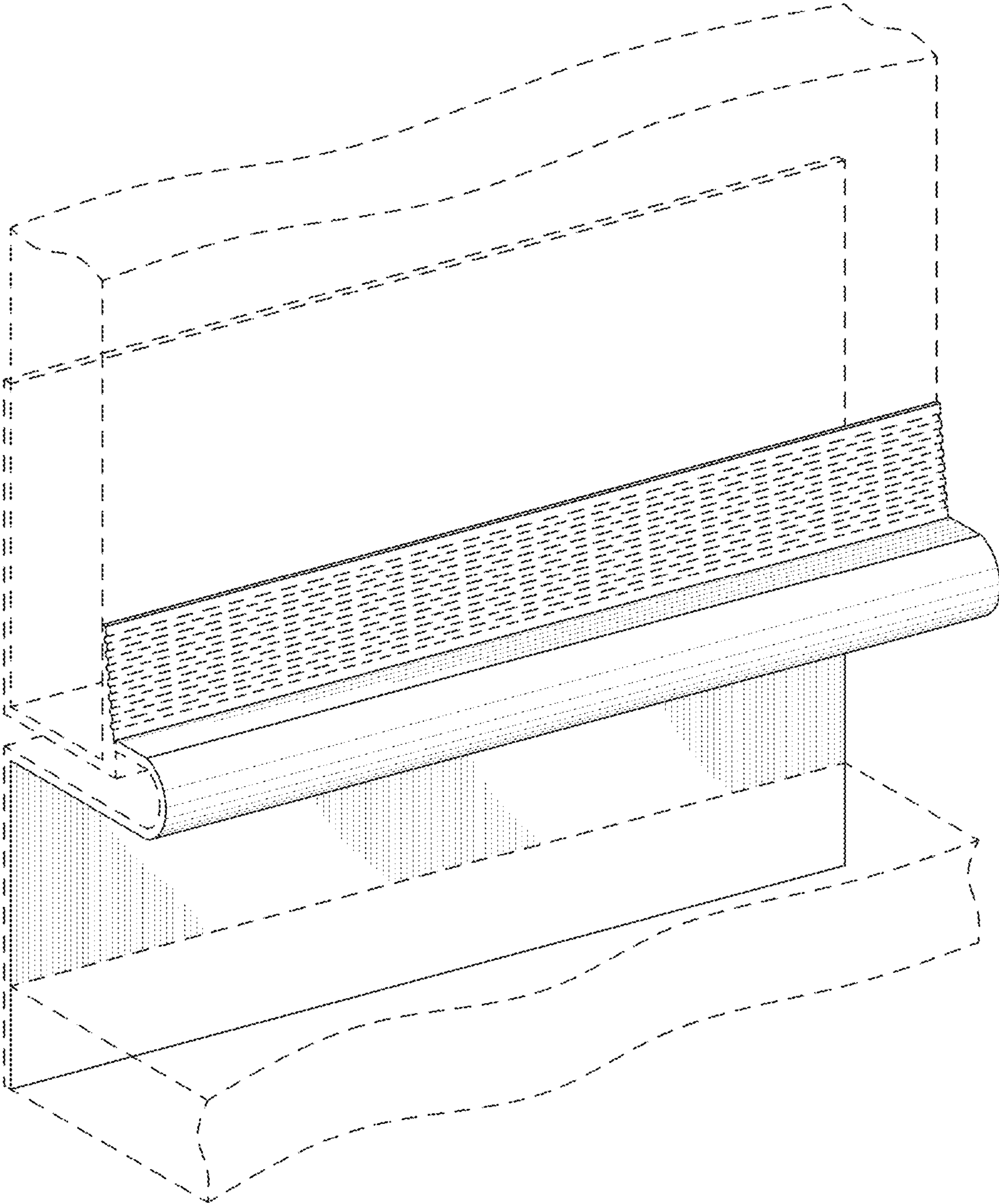


FIG. 18

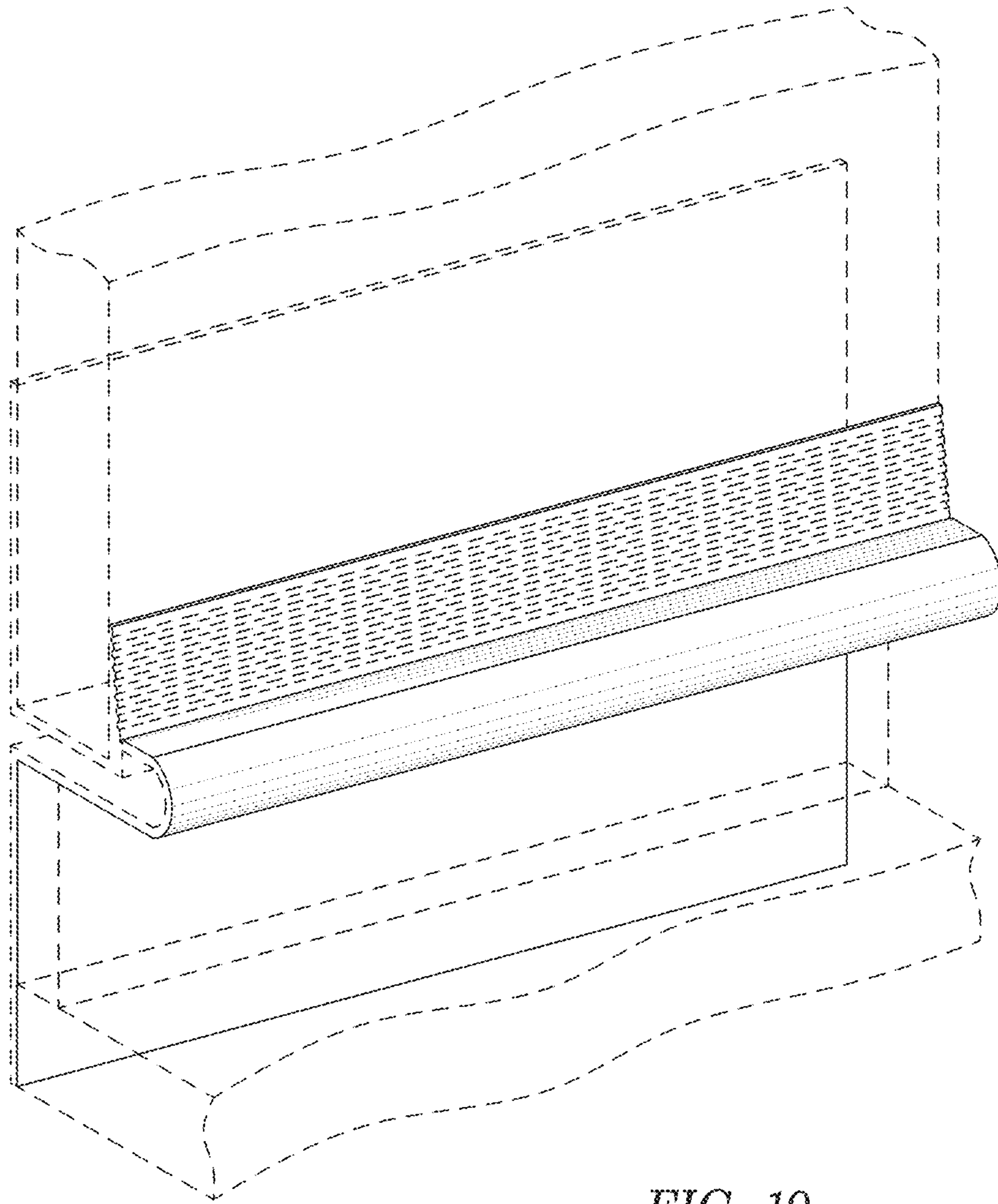


FIG. 19