



US00D815756S

(12) **United States Design Patent** (10) **Patent No.:** **US D815,756 S**
Yin (45) **Date of Patent:** **** Apr. 17, 2018**

(54) **LADDER RUNG**
(71) Applicant: **Easytec Corporation**, Dongguan (CN)
(72) Inventor: **Yelin Yin**, Dongguan (CN)
(73) Assignee: **EASYTEC CORPORATION**,
Dongguan (CN)

(**) Term: **15 Years**

(21) Appl. No.: **29/581,621**

(22) Filed: **Oct. 20, 2016**

(51) **LOC (11) Cl.** **25-04**

(52) **U.S. Cl.**
USPC **D25/68**

(58) **Field of Classification Search**
USPC D25/62-65, 68, 69; 182/228.2, 121,
182/229.1, 198, 215, 120
CPC . E06C 1/125; E06C 1/22; E06C 1/387; E06C
7/00; E06C 7/50; E06C 7/081; E06C
7/423

See application file for complete search history.

(56) **References Cited**

U.S. PATENT DOCUMENTS

D462,453 S * 9/2002 Johansson D25/69
D593,685 S * 6/2009 Kieffer D25/69
D683,479 S * 5/2013 Goransson D25/69
2004/0195043 A1* 10/2004 Johansson E06C 1/125
182/195

2007/0209875 A1* 9/2007 Chen E06C 1/125
182/195
2008/0164097 A1* 7/2008 Eriksson E06C 1/22
182/22
2010/0307870 A1* 12/2010 Zimmerman E06C 1/125
182/195
2016/0153231 A1* 6/2016 Kieffer E06C 1/383
182/163

* cited by examiner

Primary Examiner — Cynthia Ramirez

Assistant Examiner — Gino Colan

(74) *Attorney, Agent, or Firm* — Ming Chow; Sinorica,
LLC

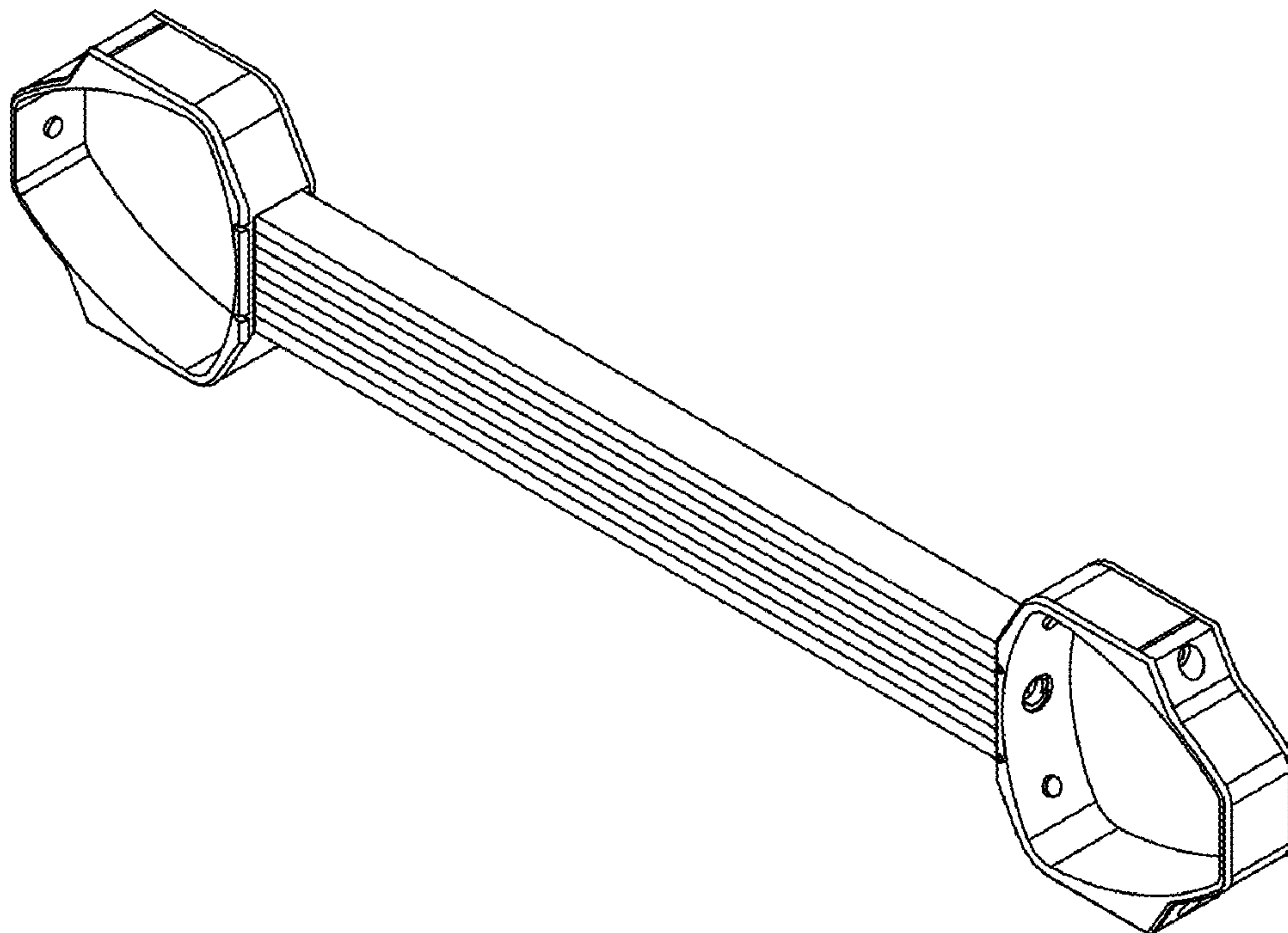
(57) **CLAIM**

The ornamental design for a ladder rung, as shown and described.

DESCRIPTION

FIG. 1 is a perspective view of a ladder rung;
FIG. 2 is a front elevation view thereof;
FIG. 3 is a rear elevation view thereof;
FIG. 4 is a left side elevation view thereof;
FIG. 5 is a top plan view thereof;
FIG. 6 is a bottom plan view thereof; and,
FIG. 7 is a perspective view thereof, in use.
The broken lines are included for the purpose of illustrating environment and form no part of the claimed design.

1 Claim, 7 Drawing Sheets



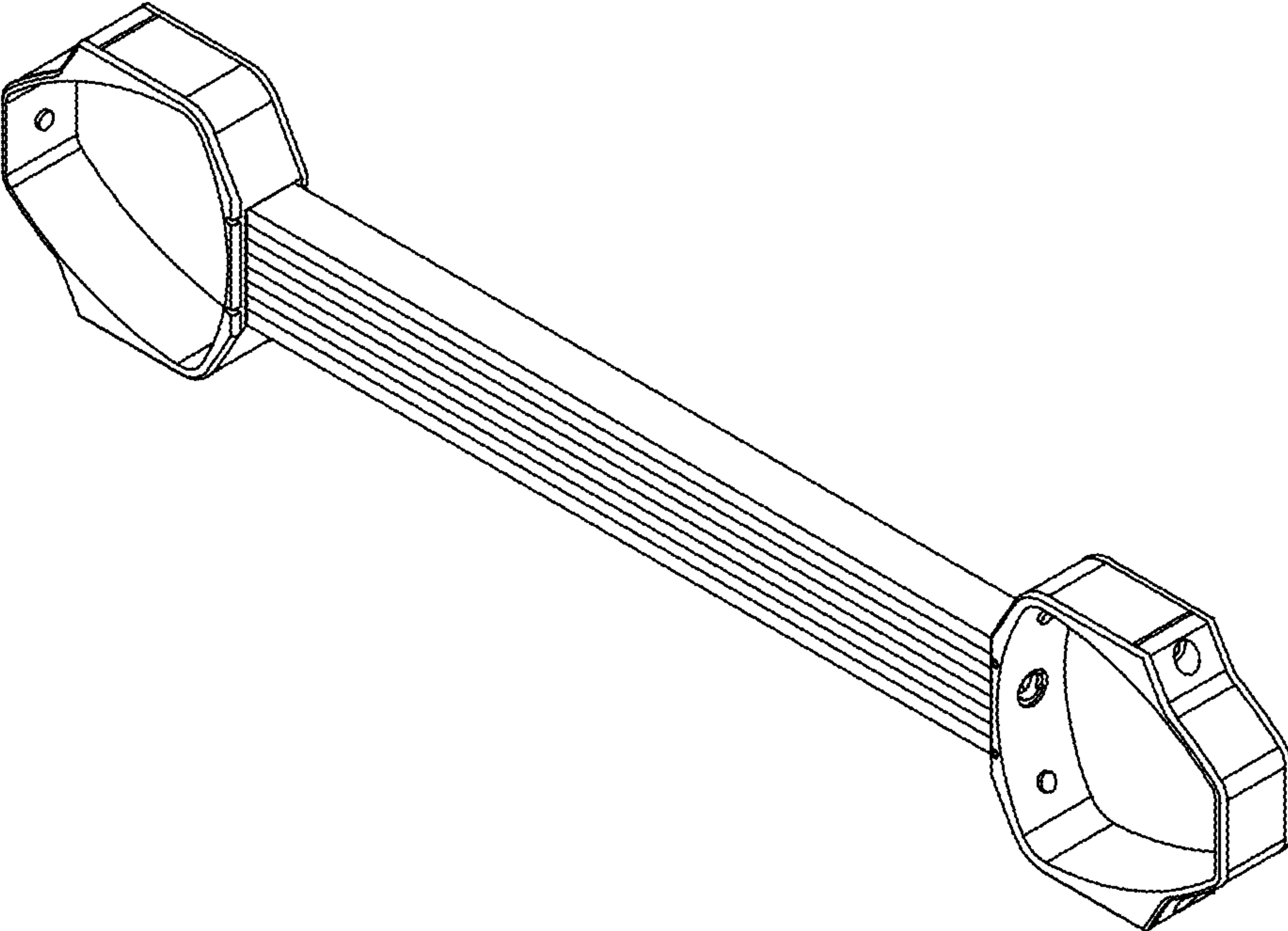


FIG.1

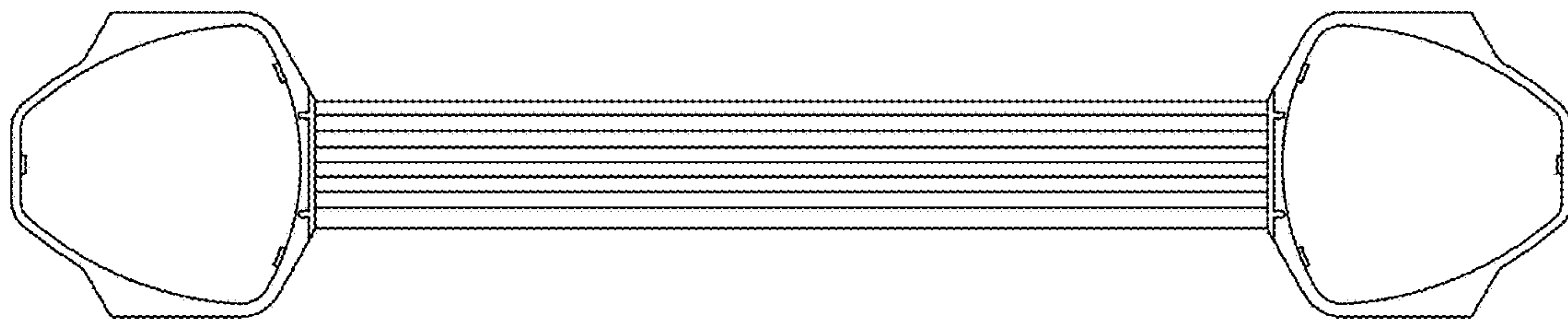


FIG.2

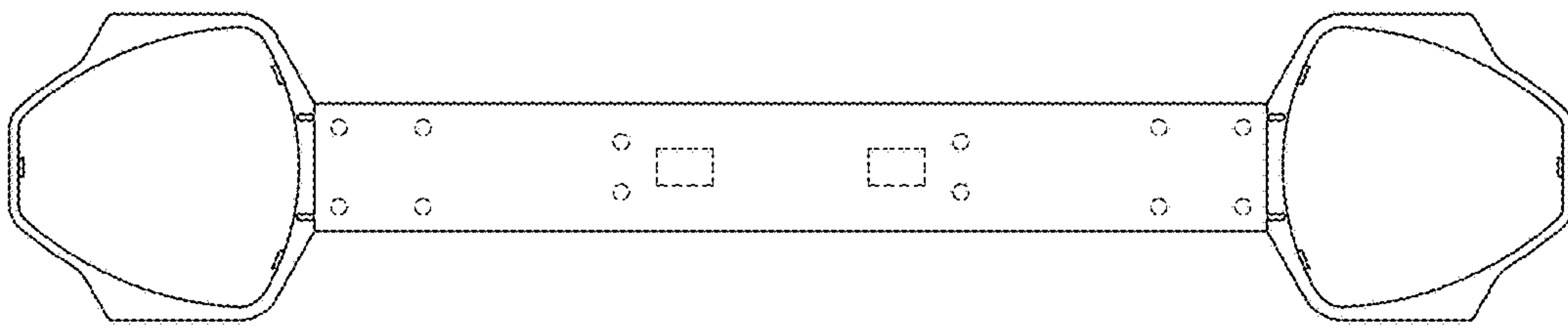


FIG.3

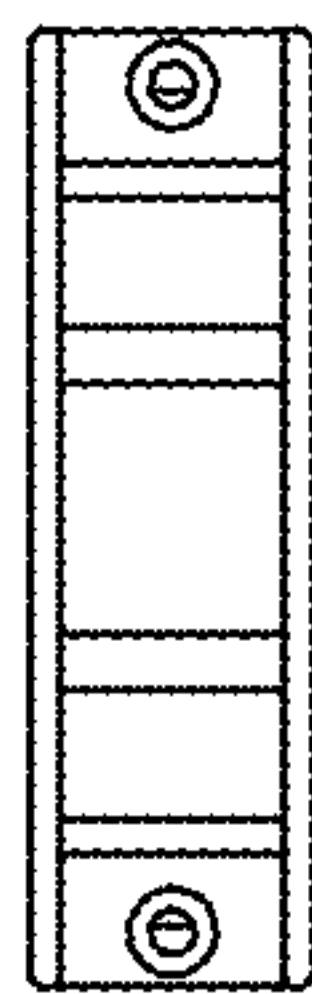


FIG.4

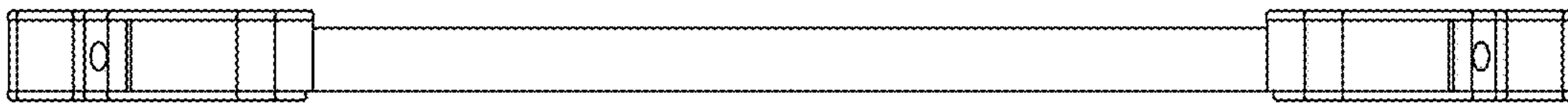


FIG.5

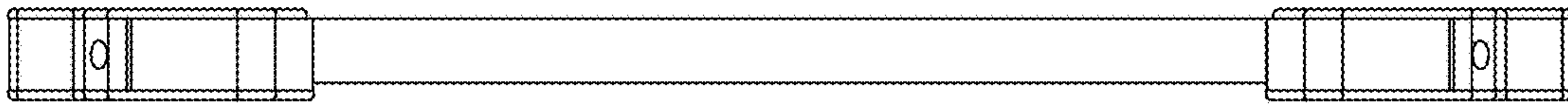


FIG.6

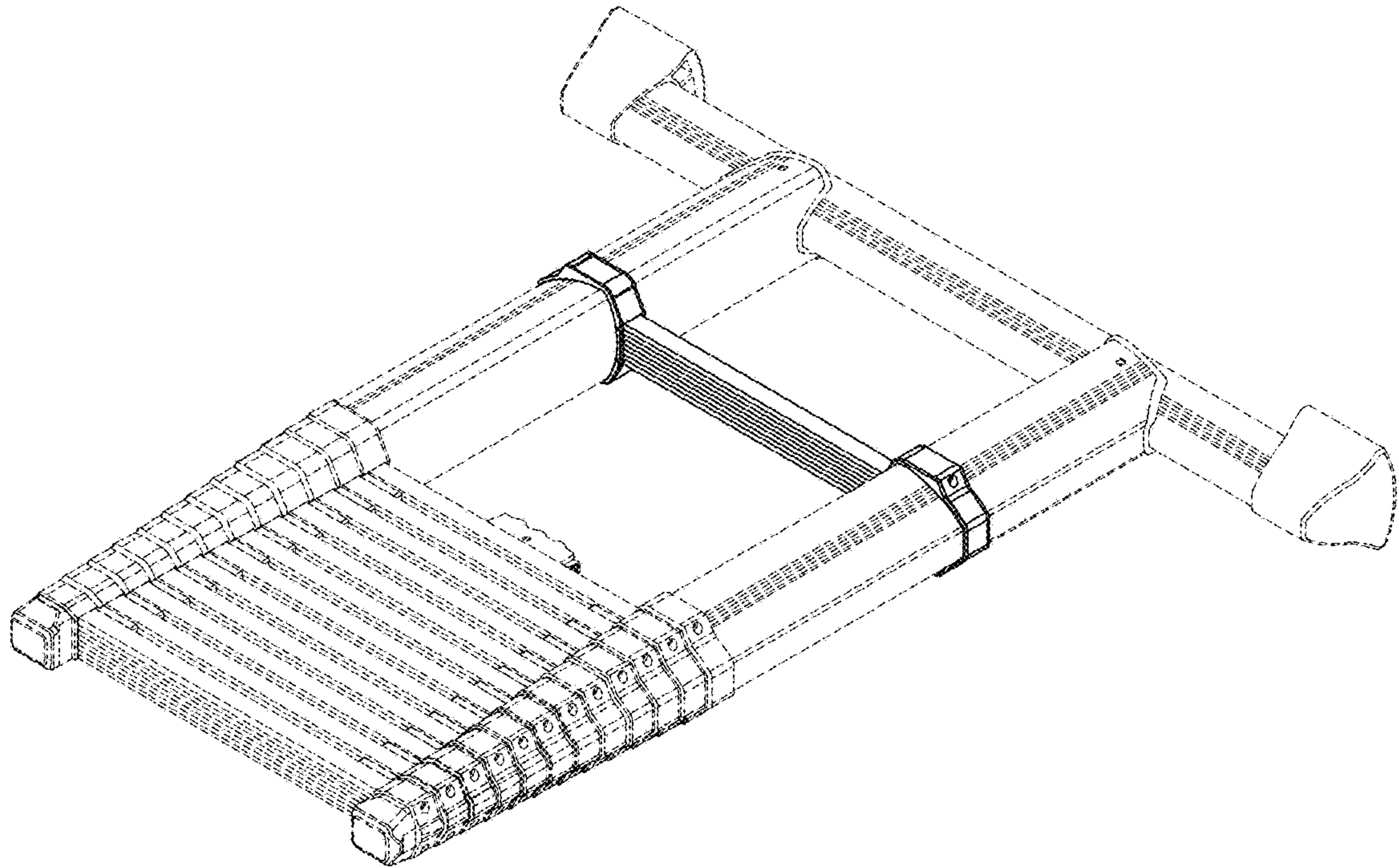


FIG.7