



US00D815753S

(12) **United States Design Patent** (10) **Patent No.:** **US D815,753 S**
Curry et al. (45) **Date of Patent:** **** Apr. 17, 2018**

(54) **PIPETTE TIP SHEET**

(71) Applicant: **BIOTIX, INC.**, San Diego, CA (US)
(72) Inventors: **Scott Edward Curry**, Carlsbad, CA (US); **Arta Motadel**, San Diego, CA (US); **Peter Paul Blaszcak**, San Diego, CA (US)
(73) Assignee: **BIOTIX, INC.**, San Diego, CA (US)

(**) Term: **15 Years**

(21) Appl. No.: **29/527,027**

(22) Filed: **May 14, 2015**

Related U.S. Application Data

(63) Continuation-in-part of application No. 14/566,143, filed on Dec. 10, 2014, now abandoned, and a
(Continued)

(51) **LOC (11) Cl.** **24-02**

(52) **U.S. Cl.**
USPC **D24/227**

(58) **Field of Classification Search**
USPC D24/107, 216, 227-230, 222, 127, 128;
422/500, 501, 524, 526, 552, 564, 563,
(Continued)

(56) **References Cited**

U.S. PATENT DOCUMENTS

D246,466 S 11/1977 Attree et al.
4,130,978 A 12/1978 Cohen

(Continued)

FOREIGN PATENT DOCUMENTS

EP 1 110 613 6/2001
WO WO 95/08392 3/1995

(Continued)

OTHER PUBLICATIONS

International Search Report and Written Opinion dated Sep. 2, 2010 in International Application No. PCT/US2010/021838 filed on Jan. 22, 2010 and published as: WO 10/085669 on: Jul. 29, 2010.

(Continued)

Primary Examiner — Susan Bennett Hattan

Assistant Examiner — Rebecca Tsehaye

(74) *Attorney, Agent, or Firm* — Grant IP, Inc.

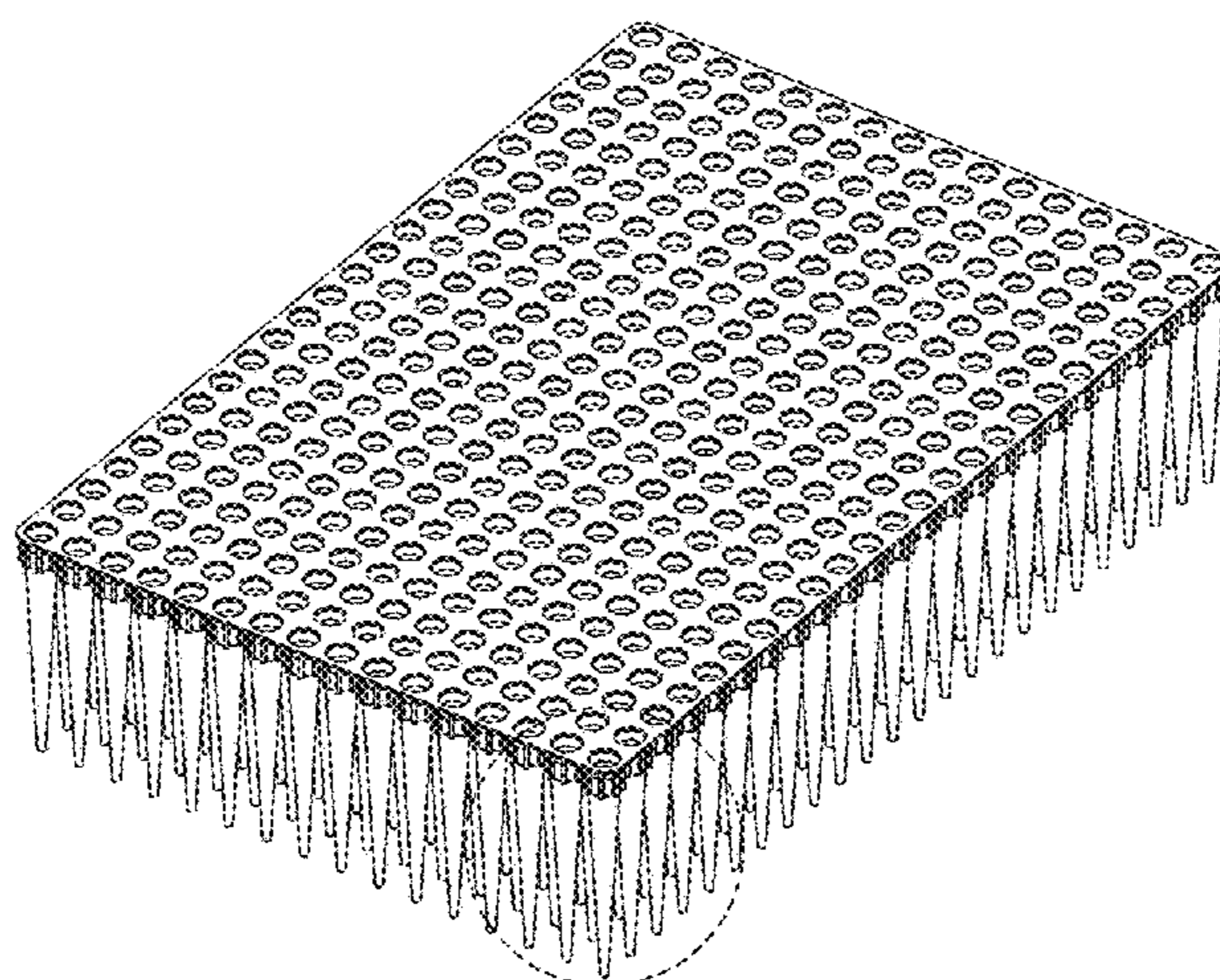
(57) **CLAIM**

The ornamental design for a pipette tip sheet, as shown and described.

DESCRIPTION

FIG. 1 is a top perspective view of a pipette tip sheet; FIG. 2 is an enlarged view of a portion of the assembly shown in FIG. 1; FIG. 3 is a bottom perspective view of the assembly shown in FIG. 1; FIG. 4 is an enlarged view of a portion of the assembly shown in FIG. 3; FIG. 5 is a top view of the assembly shown in FIG. 1; FIG. 6 is an enlarged view of a portion of the assembly shown in FIG. 5; FIG. 7 is a bottom view of the assembly shown in FIG. 1; FIG. 8 is an enlarged view of a portion of the assembly shown in FIG. 7; FIG. 9 is a long side view of the assembly shown in FIG. 1; FIG. 10 is an enlarged view of a portion of the assembly shown in FIG. 9; FIG. 11 is a short side view of the assembly shown in FIG. 1; FIG. 12 is a bottom perspective view of a variant of the assembly shown in FIG. 1, where the sheet in FIG. 12 is flexed and is curved; and, FIG. 13 is a side view of the assembly shown in FIG. 12.

1 Claim, 4 Drawing Sheets



Related U.S. Application Data

continuation of application No. 14/712,451, filed on May 14, 2015.

(58) **Field of Classification Search**

USPC 422/562, 561, 942, 401; 206/557, 563; 159/16.1

CPC B01L 3/0275; B01L 3/5085; B01L 3/02; B01L 2300/08; B01L 2300/0829; B01L 2200/06; B01L 9/543; B01D 1/14

See application file for complete search history.

(56)

References Cited

U.S. PATENT DOCUMENTS

D264,810 S 6/1982 Voltmann
 4,349,109 A 9/1982 Scordato et al.
 D271,239 S 11/1983 Lemieux et al.
 D282,208 S 1/1986 Lowry
 D283,162 S 3/1986 Godsey
 4,577,760 A 3/1986 Ranin et al.
 4,676,377 A 6/1987 Rainin et al.
 5,156,811 A 10/1992 White
 D332,145 S 12/1992 Wada et al.
 D337,165 S * 7/1993 Malinoff D24/222
 5,255,979 A 10/1993 Ferrari
 5,324,482 A 6/1994 Scaramella
 5,366,088 A 11/1994 Hill et al.
 5,392,914 A 2/1995 Lemieux et al.
 5,441,702 A 8/1995 Lemieux
 5,487,872 A 1/1996 Hafeman et al.
 5,487,997 A 1/1996 Stolp
 5,612,000 A 3/1997 Lemieux
 5,779,984 A 7/1998 Kelly
 5,882,603 A 3/1999 Taggart
 D411,308 S 6/1999 Pandey et al.
 D414,271 S 9/1999 Mendoza
 6,007,779 A 12/1999 Lemieux et al.
 D420,142 S 2/2000 Bailin et al.
 D420,743 S 2/2000 Monks
 6,019,225 A 2/2000 Kalmakis et al.
 6,164,449 A 12/2000 Lahti
 D439,673 S 3/2001 Brophy et al.
 D441,091 S 4/2001 Day
 6,238,626 B1 5/2001 Higuchi
 6,286,678 B1 9/2001 Petrek
 D448,854 S 10/2001 Kuiper et al.
 D452,740 S 1/2002 Brennan et al.
 6,426,047 B1 7/2002 Hamel et al.
 D461,554 S 8/2002 Lafond et al.
 D464,734 S 10/2002 Berna et al.
 D466,219 S 11/2002 Wynschenk et al.
 6,517,782 B1 2/2003 Horner et al.
 6,534,015 B1 3/2003 Viot et al.
 6,875,405 B1 4/2005 Mathus et al.
 7,060,226 B1 6/2006 Jessop et al.
 D529,622 S 10/2006 Hadjis et al.
 D533,948 S 12/2006 Schaub et al.
 D534,658 S 1/2007 Bargh
 7,169,361 B2 1/2007 Arnold et al.
 7,220,590 B2 5/2007 Moritz et al.
 D556,338 S 11/2007 Coulling et al.
 D556,339 S 11/2007 Coulling et al.
 D562,463 S 2/2008 Berndt et al.
 7,335,337 B1 2/2008 Smith
 D574,505 S 8/2008 Muller-Cohn et al.
 D576,208 S 9/2008 Quercetti
 D593,207 S 5/2009 Ayliffe
 D598,566 S 8/2009 Allaer
 7,628,960 B2 12/2009 Ruddock
 D608,013 S 1/2010 Coulling et al.
 D632,404 S 2/2011 Karpiloff
 7,906,075 B2 3/2011 Ueda
 7,968,056 B2 6/2011 Stockwell
 D654,186 S 2/2012 Park et al.
 D657,473 S 4/2012 Miyashita et al.

8,148,168 B2 4/2012 Gjerde et al.
 D673,294 S * 12/2012 Motadel D24/227
 D679,025 S 3/2013 Motadel et al.
 8,453,838 B2 6/2013 Hill
 8,460,622 B2 * 6/2013 Motadel B01L 9/543
 211/126.1
 8,470,265 B2 6/2013 Motadel et al.
 D690,027 S * 9/2013 Motadel D24/227
 8,590,736 B2 11/2013 Motadel
 D697,227 S * 1/2014 Motadel D24/227
 D699,859 S * 2/2014 Motadel D24/227
 D702,854 S * 4/2014 Nakahana D24/227
 D707,847 S 6/2014 Motadel et al.
 8,790,578 B2 * 7/2014 Wohlstadter B01L 3/5085
 422/50
 8,795,606 B2 * 8/2014 Motadel B01L 3/0275
 422/524
 D724,236 S * 3/2015 Motadel D24/227
 9,089,845 B2 7/2015 Motadel et al.
 9,302,262 B2 * 4/2016 Motadel B01L 3/0275
 2003/0064508 A1 4/2003 Kwasnoski et al.
 2003/0152494 A1 8/2003 Moritz et al.
 2004/0033168 A1 * 2/2004 Hughes B01L 3/5025
 422/561
 2005/0136546 A1 * 6/2005 Berndt B01L 3/5085
 436/45
 2006/0093530 A1 5/2006 Ueda
 2006/0257292 A1 * 11/2006 Motadel B01L 9/543
 422/400
 2007/0017870 A1 1/2007 Belov et al.
 2008/0240999 A1 10/2008 Timpson
 2009/0007702 A1 1/2009 Yiu
 2009/0255949 A1 10/2009 Motadel
 2010/0080734 A1 * 4/2010 Brophy B01L 3/0275
 422/400
 2010/0089938 A1 4/2010 Motadel
 2010/0266457 A1 10/2010 Rethwisch et al.
 2010/0314051 A1 * 12/2010 Barger B01D 1/14
 159/16.1
 2011/0236278 A1 9/2011 Motadel et al.
 2012/0257953 A1 10/2012 Williams
 2013/0108522 A1 5/2013 Cohen et al.
 2014/0234182 A1 8/2014 Motadel et al.
 2014/0314637 A1 10/2014 Motadel et al.
 2015/0283548 A1 10/2015 Motadel et al.
 2016/0167041 A1 6/2016 Curry et al.
 2016/0319329 A1 * 11/2016 Natale G01N 35/028
 2017/0080432 A1 3/2017 Curry
 2017/0297030 A1 10/2017 Motadel et al.

FOREIGN PATENT DOCUMENTS

WO WO 00/24513 5/2000
 WO WO 01/70401 9/2001
 WO WO 02/072261 9/2002
 WO WO 03/064271 8/2003
 WO WO 06/133440 12/2006
 WO WO 09/126945 10/2009
 WO WO 10/085669 7/2010
 WO WO 13/181163 12/2013
 WO WO 2016/094553 6/2016

OTHER PUBLICATIONS

Extended European Search Report dated: Jun. 1, 2012 in European Application No. EP10733922 filed Jan. 22, 2010, based on International Application No. PCT/US2010/021838 filed Jan. 22, 2010 and published as WO/2010/085669 on Jul. 29, 2010.
 International Preliminary Report on Patentability dated Aug. 4, 2011 in International Application No. PCT/US2010/021838 filed on Jan. 22, 2010 and published as: WO 10/085669 on: Jul. 29, 2010.
 U.S. Appl. No. 61/044,243, filed Apr. 11, 2008 by Arta Motadel.
 Office Action dated Jun. 25, 2013 in U.S. Appl. No. 29/445,143, filed Feb. 27, 2013.
 Office Action dated Feb. 12, 2014 in U.S. Appl. No. 29/445,143, filed Feb. 27, 2013.

(56)

References Cited

OTHER PUBLICATIONS

Office Action dated Feb. 26, 2013 in U.S. Appl. No. 12/692,426, filed Jan. 22, 2012 and published as: U.S. Pat. No. 2010/0221151 on: Sep. 2, 2010.

Office Action dated Sep. 25, 2012 in U.S. Appl. No. 12/692,426, filed Jan. 22, 2012 and published as: U.S. Pat. No. 2010/0221151 on: Sep. 2, 2010.

Office Action dated Feb. 13, 2012 in U.S. Appl. No. 12/692,426, filed Jan. 22, 2012 and published as: U.S. Pat. No. 2010/0221151 on: Sep. 2, 2010.

Office Action dated Apr. 26, 2012 in U.S. Appl. No. 29/354,397, filed Jan. 22, 2010.

Office Action dated Nov. 8, 2012 in U.S. Appl. No. 29/354,397, filed Jan. 22, 2010.

Office Action dated Mar. 27, 2014 in U.S. Appl. No. 13/769,212, filed Feb. 15, 2013 and published as U.S. Pat. No. 2013-0161226 on Jun. 27, 2013.

Office Action dated Oct. 23, 2014 in U.S. Appl. No. 13/769,212, filed Feb. 15, 2013 and published as U.S. Pat. No. 2013-0161226 on Jun. 27, 2013.

Office Action dated Apr. 3, 2015 in U.S. Appl. No. 13/769,212, filed Feb. 15, 2013 and published as U.S. Pat. No. 2013-0161226 on Jun. 27, 2013.

Office Action dated Sep. 24, 2015 in U.S. Appl. No. 14/746,711, filed Jun. 22, 2015 and published as U.S. Pat. No. 2015-0283548 on Oct. 8, 2015.

Office Action dated Oct. 1, 2015 in U.S. Appl. No. 14/712,451, filed May 14, 2015.

Office Action dated Apr. 6, 2016 in U.S. Appl. No. 14/746,711, filed Jun. 22, 2015 and published as U.S. Pat. No. 2015-0283548 on Oct. 8, 2015.

Office Action dated Jun. 13, 2016 in U.S. Appl. No. 14/712,451, filed May 14, 2015 and published as U.S. Pat. No. 2016-0167041 on Jun. 16, 2016.

Office Action dated Oct. 28, 2016 in U.S. Appl. No. 14/746,711, filed Jun. 22, 2015 and published as U.S. Pat. No. 2015-0283548 on Oct. 8, 2015.

Office Action dated Nov. 3, 2016 in U.S. Appl. No. 14/712,451, filed May 14, 2015 and published as U.S. Pat. No. 2016-0167041 on Jun. 16, 2016.

Office Action dated Apr. 19, 2017 in U.S. Appl. No. 14/746,711, filed Jun. 22, 2015 and published as U.S. Pat. No. 2015-0283548 on Oct. 8, 2015.

Office Action dated May 26, 2017 in U.S. Appl. No. 14/712,451, filed May 14, 2015 and published as U.S. Pat. No. 2016-0167041 on Jun. 16, 2016.

International Preliminary Report on Patentability dated Jun. 22, 2017 for International Application No. PCT/US2015/064784, filed on Dec. 9, 2015 and published as WO 2016/094553 on Jun. 16, 2016.

Office Action dated Oct. 5, 2017 in U.S. Appl. No. 15/637,148, filed Jun. 29, 2017 and published as US 2017-0297030 dated Oct. 19, 2017.

Office Action dated Nov. 8, 2017 in U.S. Appl. No. 14/712,451, filed May 14, 2015 and published as US 2016-0167041 dated Jun. 16, 2016.

* cited by examiner

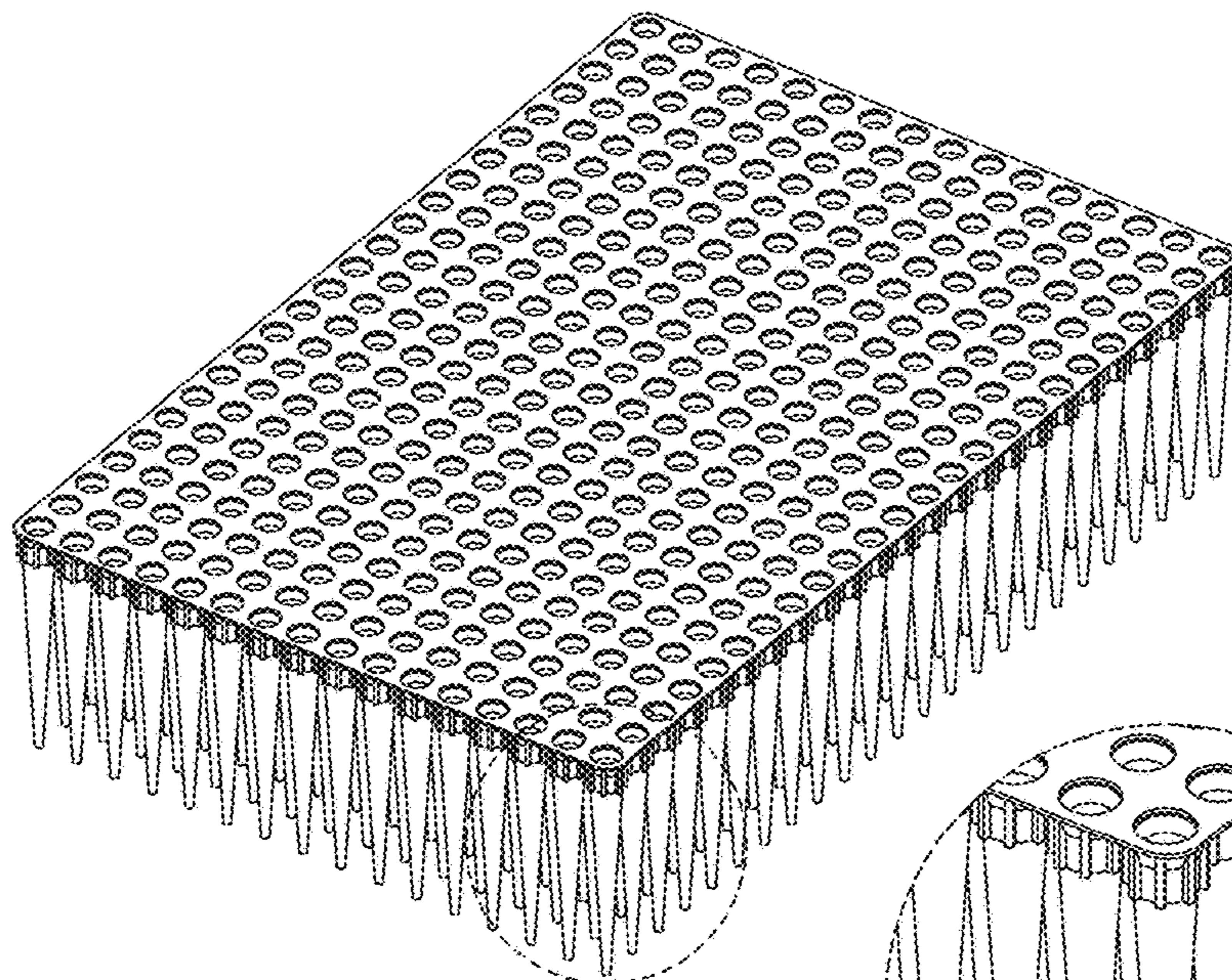


Fig. 1

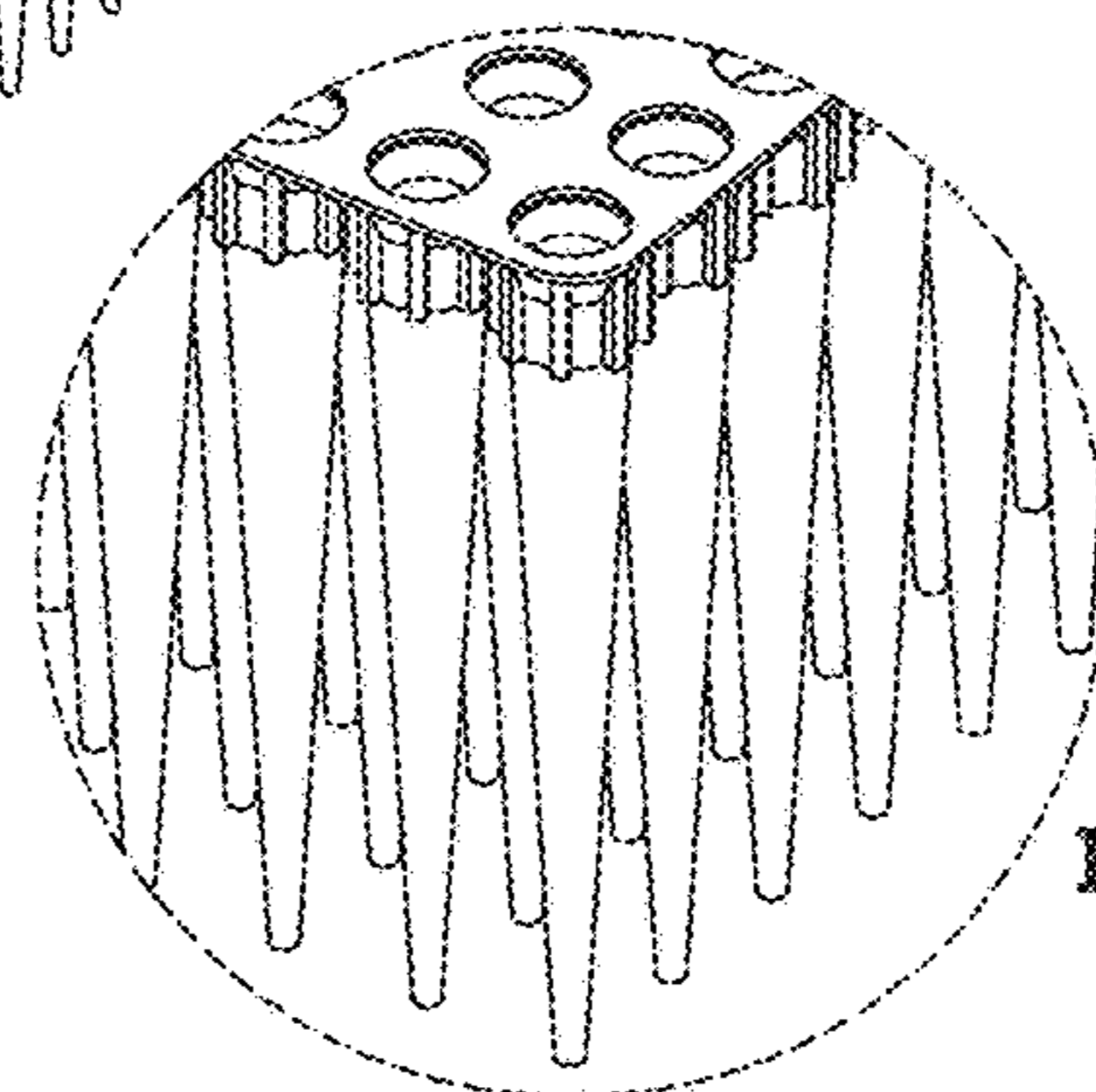


Fig. 2

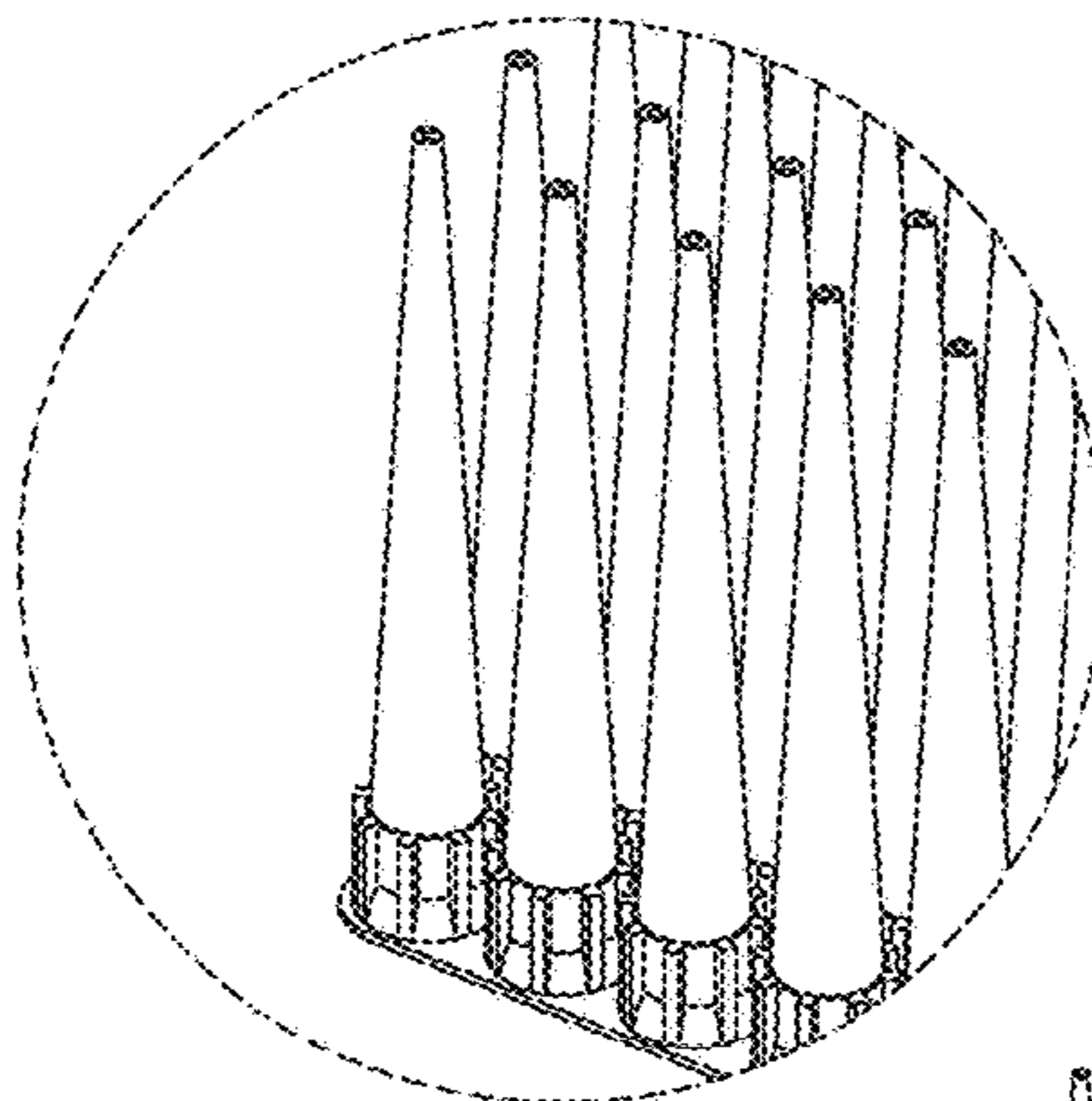


Fig. 4

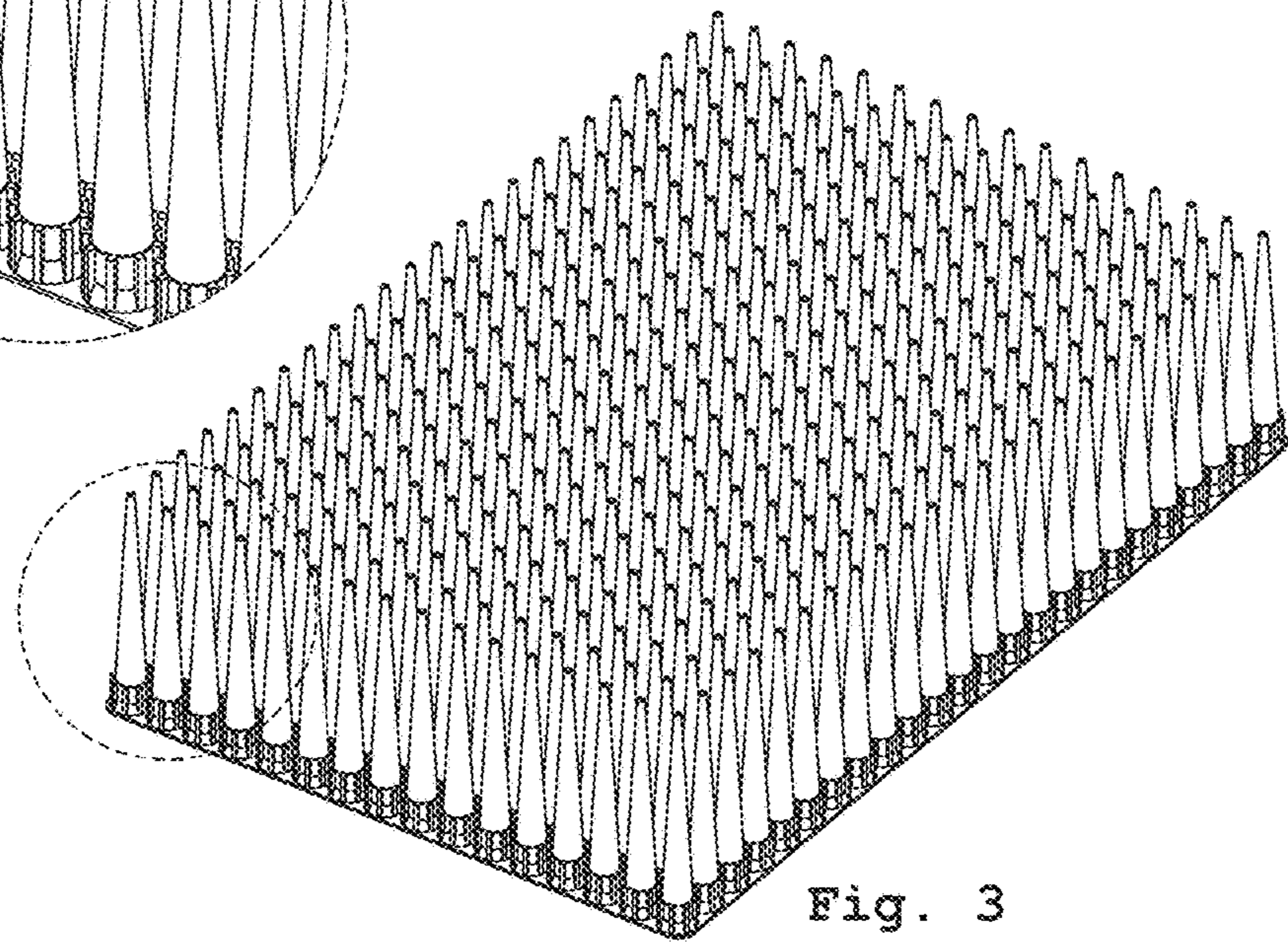


Fig. 3

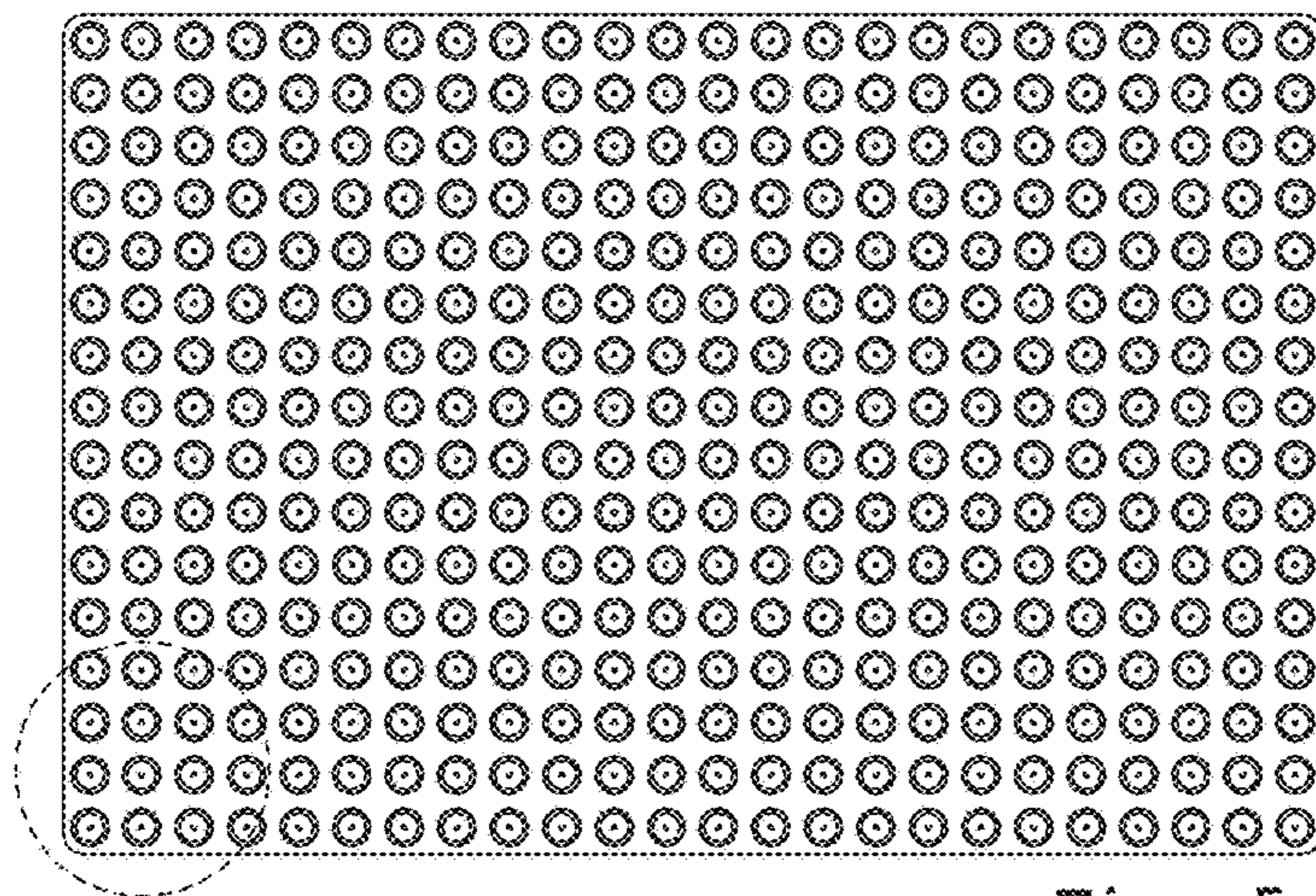


Fig. 5

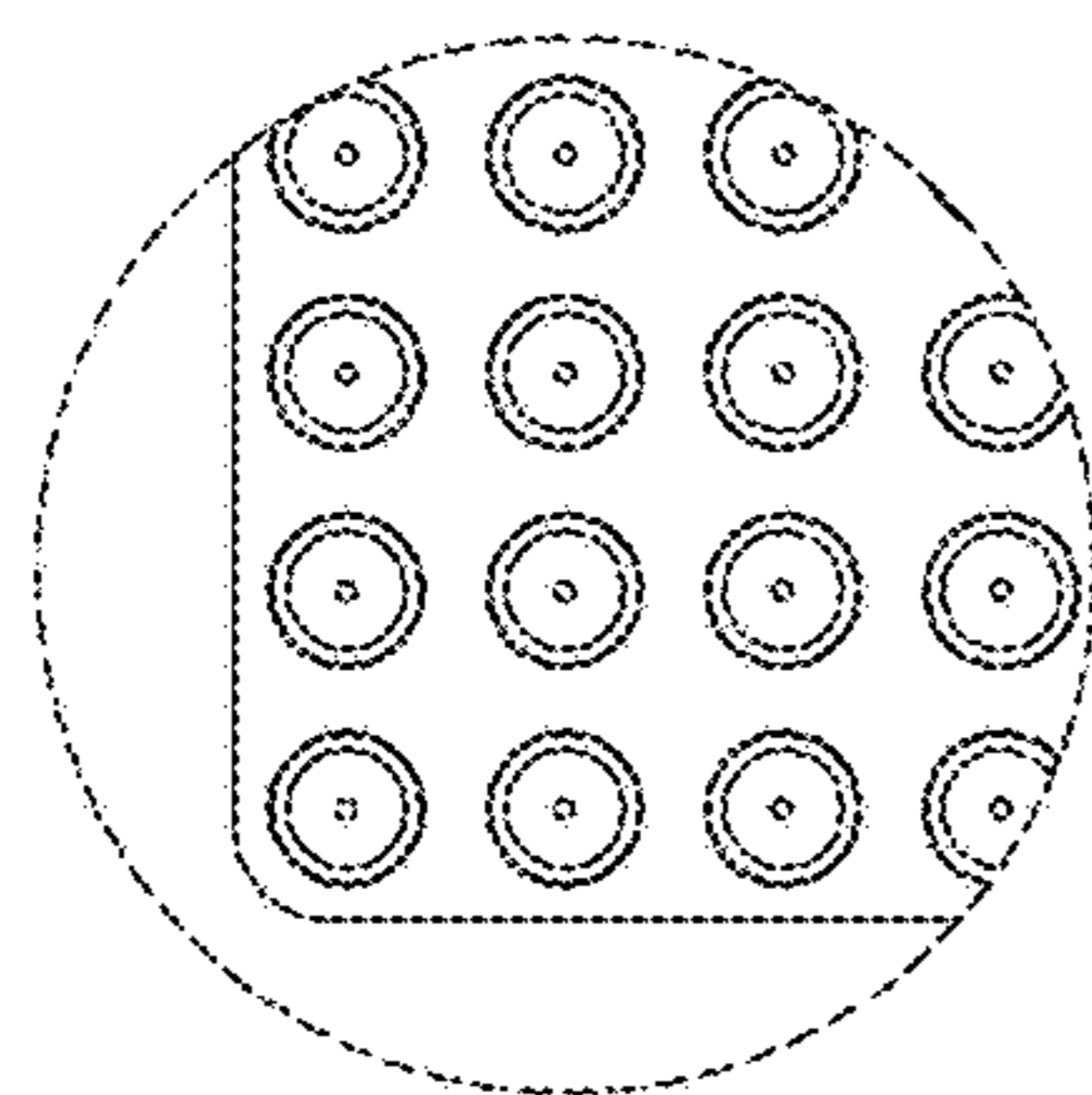


Fig. 6

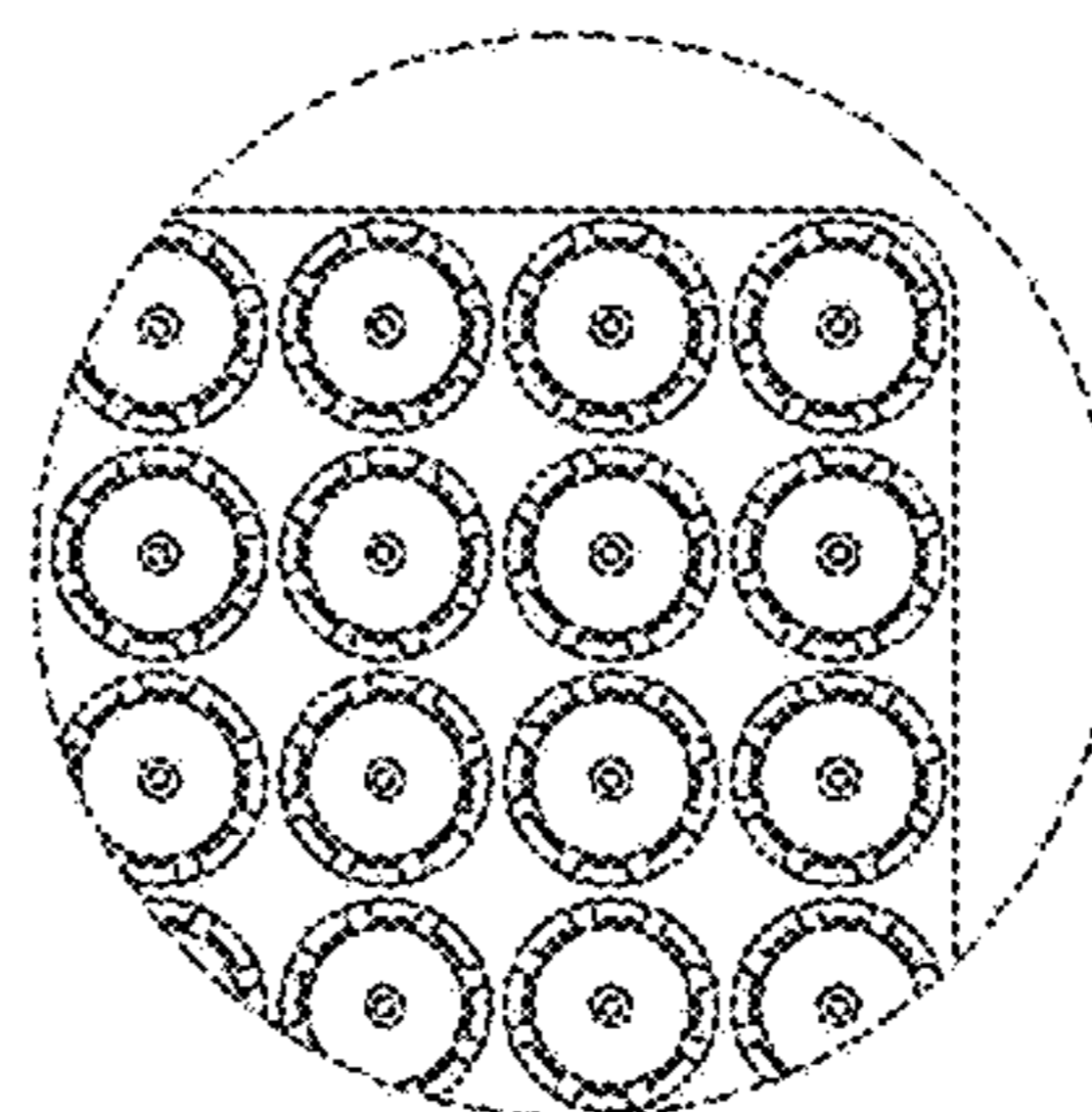


Fig. 8

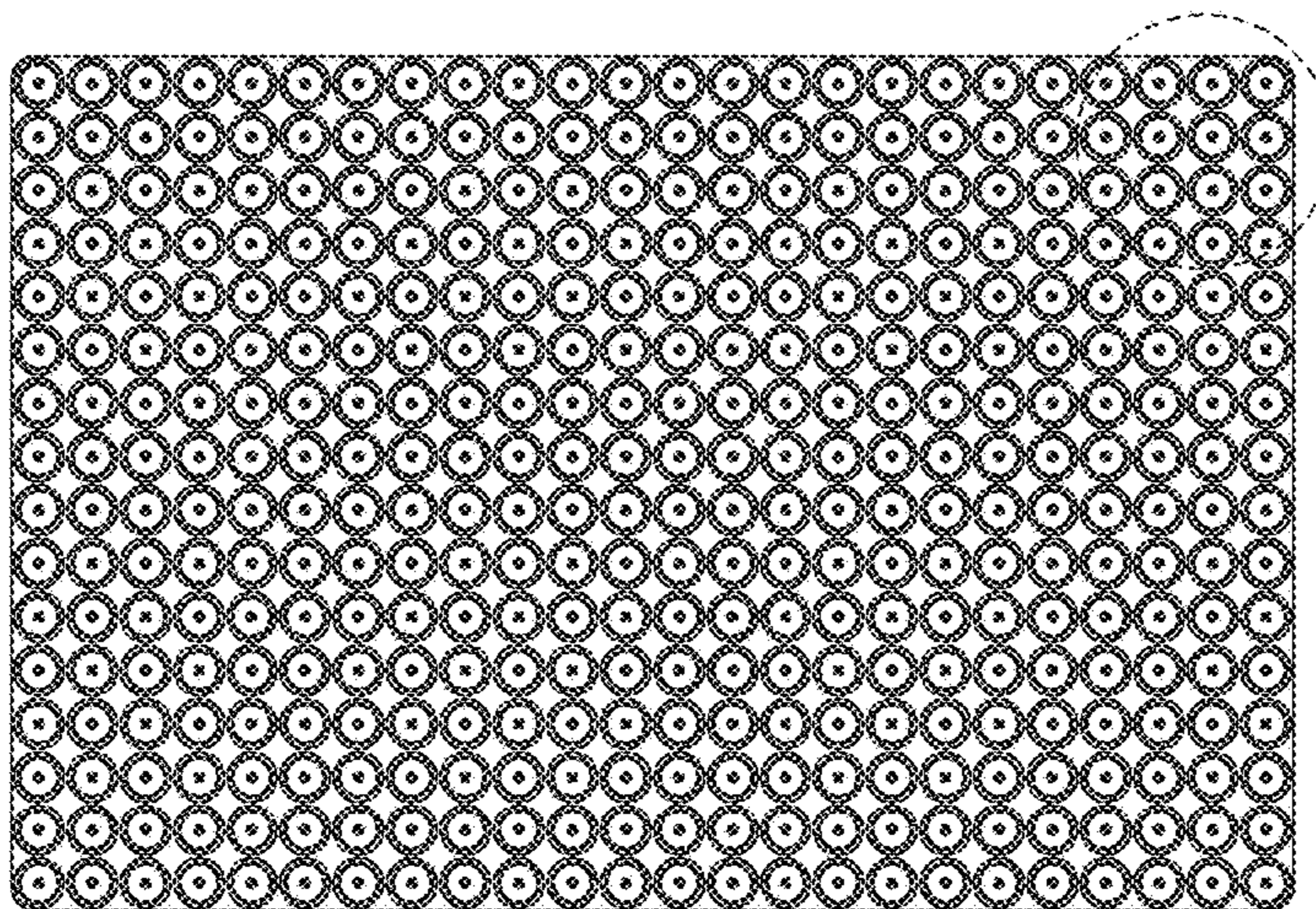


Fig. 7

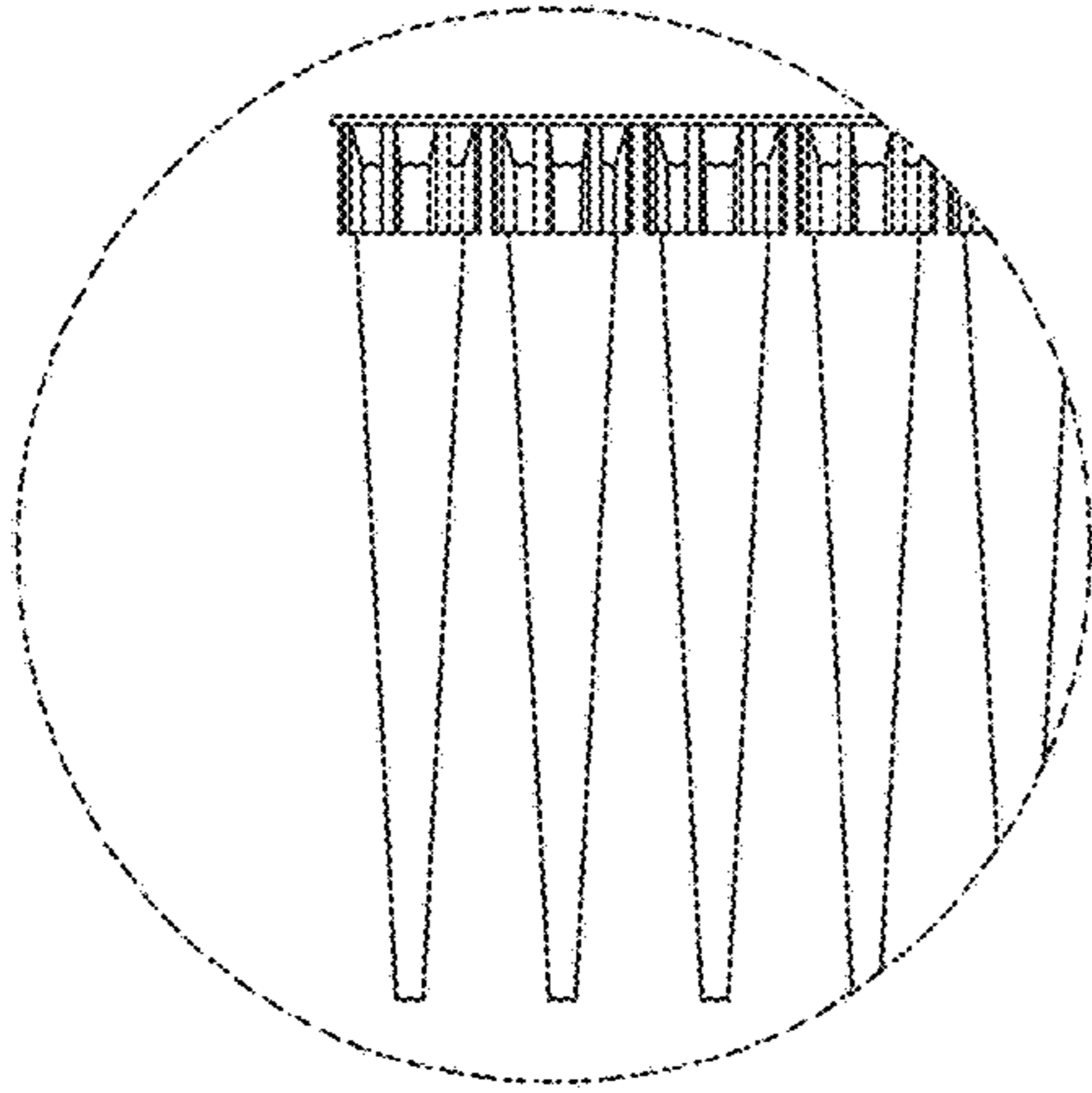


Fig. 10

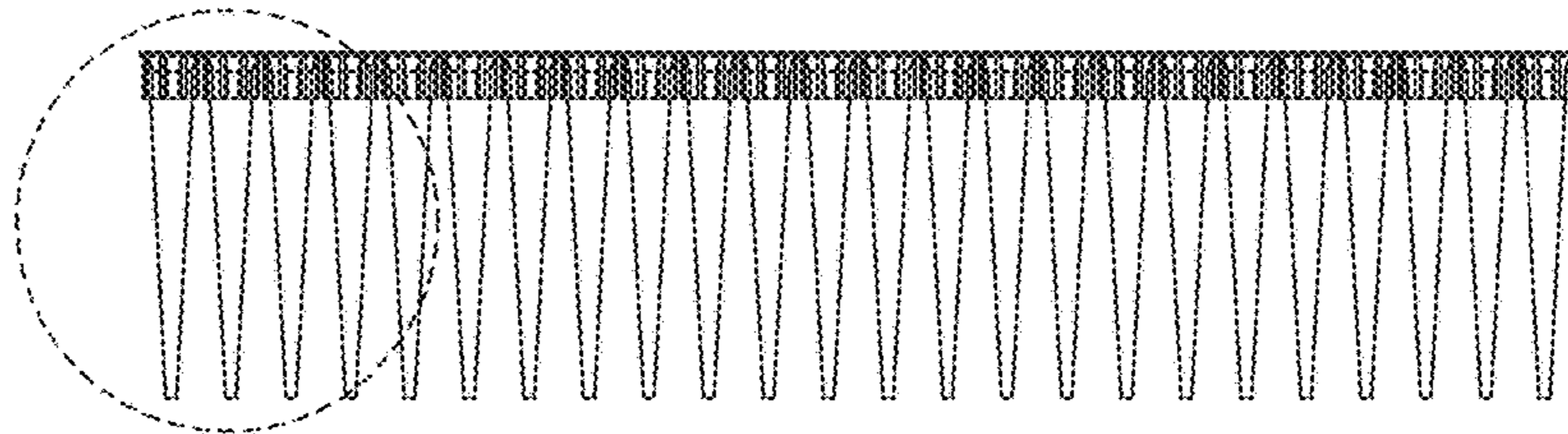


Fig. 9

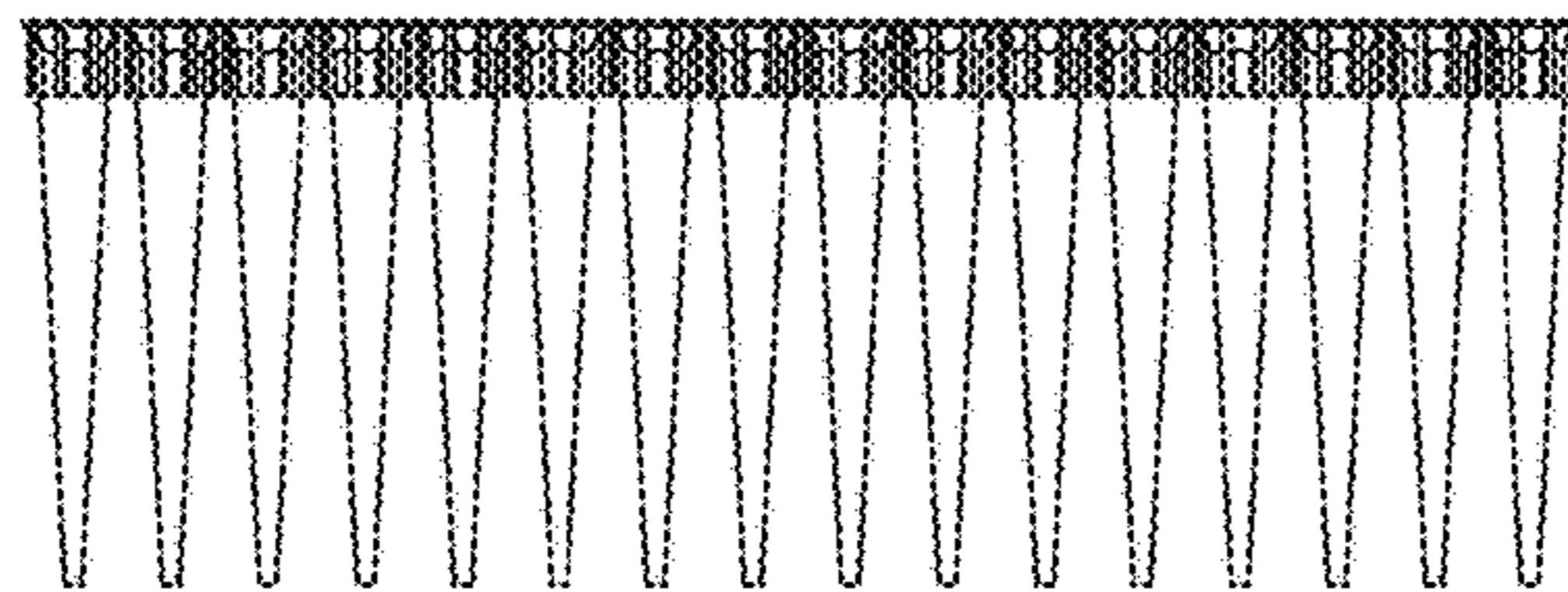


Fig. 11

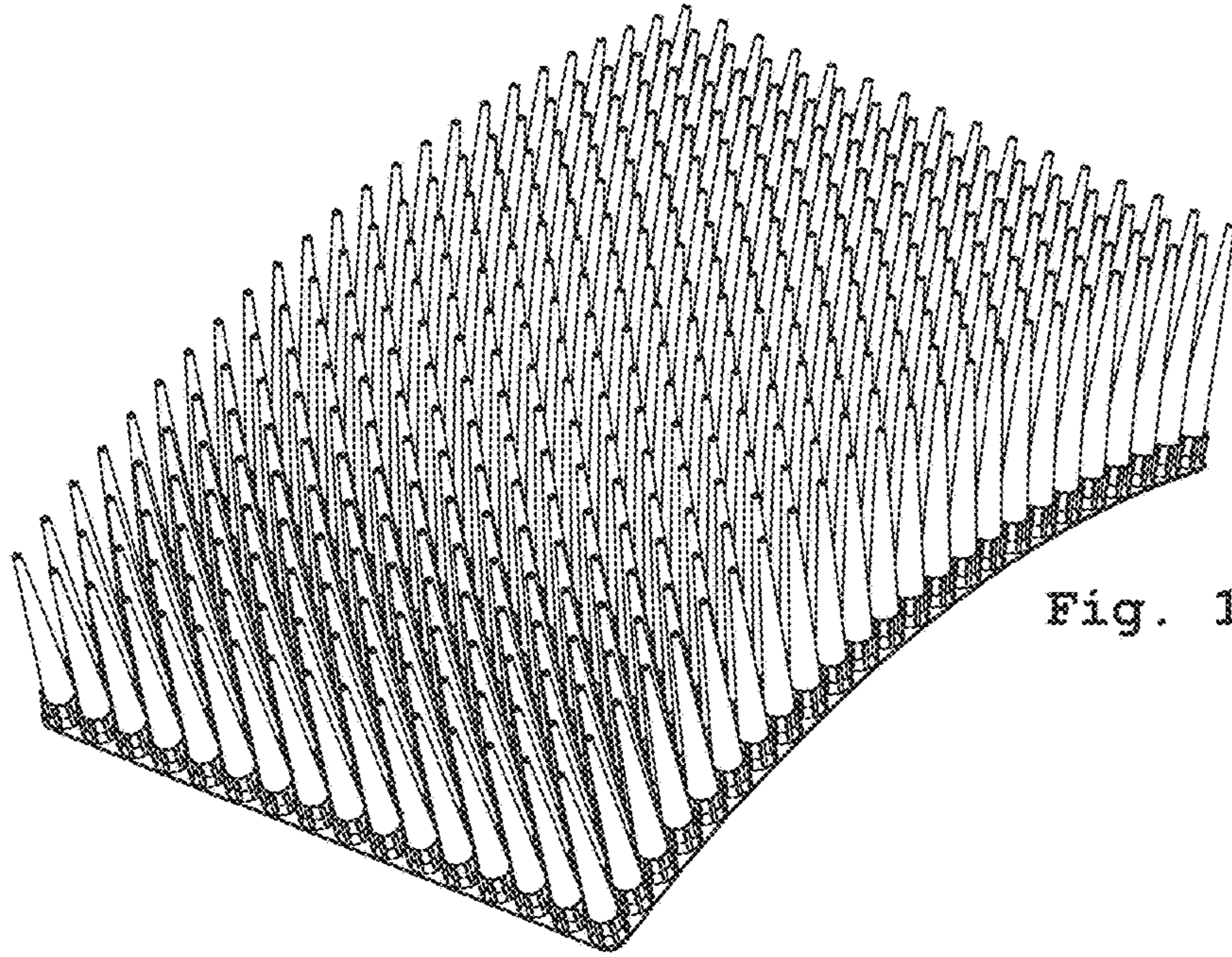


Fig. 12

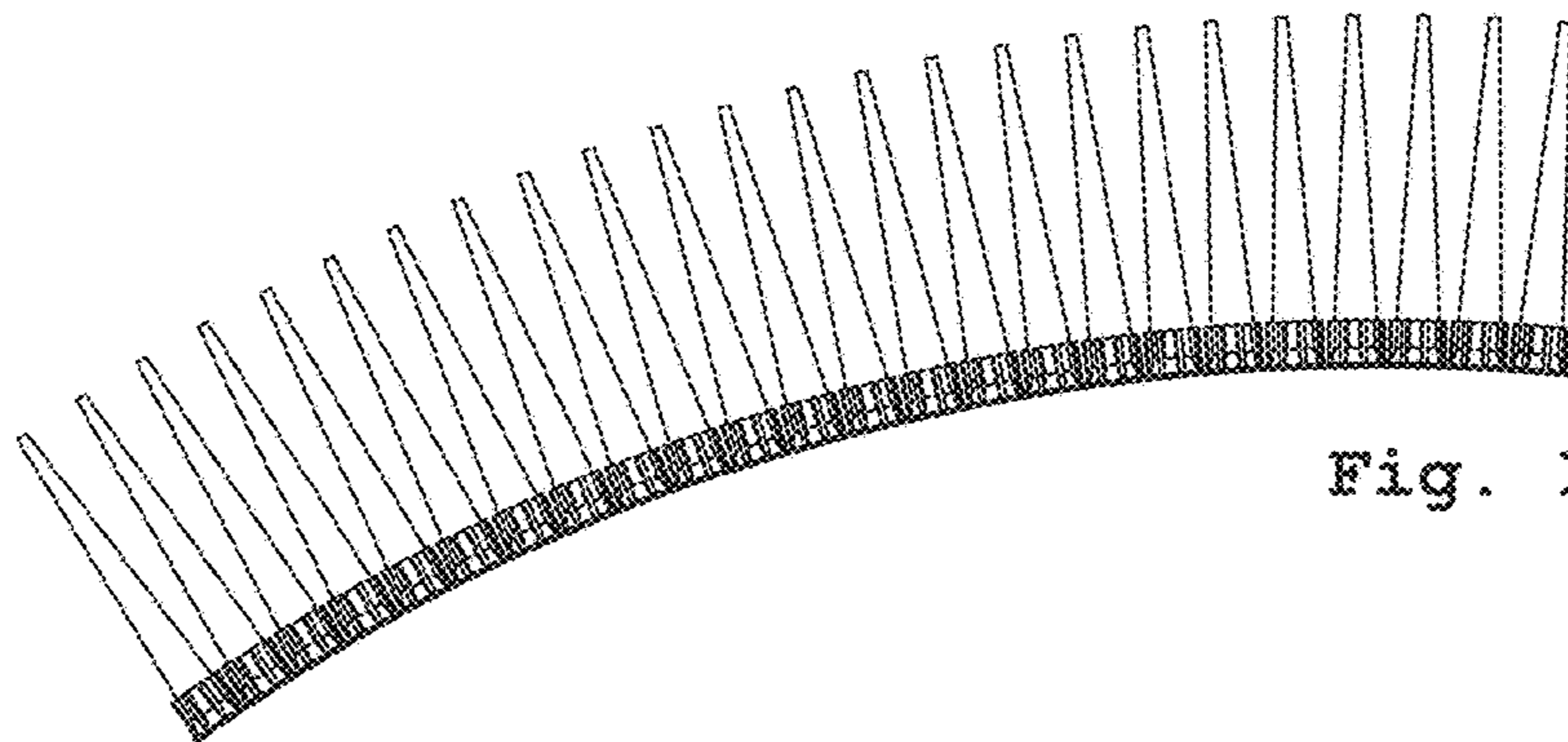


Fig. 13