



US00D815752S

(12) **United States Design Patent** (10) **Patent No.:** **US D815,752 S**
Jackson et al. (45) **Date of Patent:** **** Apr. 17, 2018**

(54) **BIOCHIP WELL**

(71) Applicant: **Randox Laboratories Ltd.**, Northern Ireland (GB)

(72) Inventors: **Stuart Jackson**, Northern Ireland (GB); **Ivan McConnell**, Northern Ireland (GB); **John Lamont**, Northern Ireland (GB); **Peter Fitzgerald**, Northern Ireland (GB)

(73) Assignee: **Randox Laboratories Ltd.** (GB)

(**) Term: **14 Years**

(21) Appl. No.: **29/510,481**

(22) Filed: **Nov. 28, 2014**

(51) **LOC (11) Cl.** **24-02**

(52) **U.S. Cl.**
USPC **D24/224**

(58) **Field of Classification Search**
USPC D24/224-230, 216, 150, 197; D10/103; D9/439, 455, 415, 425; 422/400, 65, 422/68.1, 500, 502-503, 510, 536, 422/552-553, 563; 206/528, 438, 443, 206/363, 368; 220/507; 257/701; 436/165; 506/7, 9, 13, 39-40; 435/283.1, 287.1, 287.2, 304.1
CPC B01L 9/06; B01L 3/523; B01L 3/5085; B01L 2200/00; B01L 2300/00; B01L 2400/00; B01L 3/00; B01L 3/502; B01L 3/508; B01L 3/50853; B01L 3/50855; B01L 3/50857; B01L 3/5088; B01L 3/502715; B01L 9/52; B01L 9/527; A61B 1/041; A61B 1/00144; A61K 47/00; B01J 19/00; B01J 19/0046; B01J 2219/00; B65B 69/00; C12M 25/04; C12Q 1/6837; C12Q 1/6851; C12Q 1/6869; C40B 60/14; G01N 21/03; G01N 21/0332; G01N 33/00; G01N 33/48721; G01N 35/00029; G01N 35/028; G01N 35/04; G01N 35/1011

See application file for complete search history.

(56) **References Cited**

U.S. PATENT DOCUMENTS

D258,266 S *	2/1981	Curran	D24/224
D273,565 S *	4/1984	Driskell	D24/224
D281,534 S *	11/1985	Ushikubo	D24/224
D286,072 S *	10/1986	Miller	D24/224
D286,912 S *	11/1986	Andersen	D24/224
D287,639 S *	1/1987	Moore	D24/224
D290,400 S *	6/1987	Tong	D24/224
D307,869 S *	5/1990	Miskinis	D9/455
D328,252 S *	7/1992	Miyake	D9/439
D330,428 S *	10/1992	Lewis	D24/224
D332,835 S *	1/1993	Antocci	D24/224
D342,793 S *	12/1993	Balmer	D24/224
D343,905 S *	2/1994	Nagata	D24/224
D344,138 S *	2/1994	Nagata	D24/224
5,468,638 A *	11/1995	Barker	C12M 25/04 435/304.1

(Continued)

Primary Examiner — Ian Simmons

Assistant Examiner — Mark Cavanna

(74) *Attorney, Agent, or Firm* — Gavrilovich, Dodd & Lindsey LLP

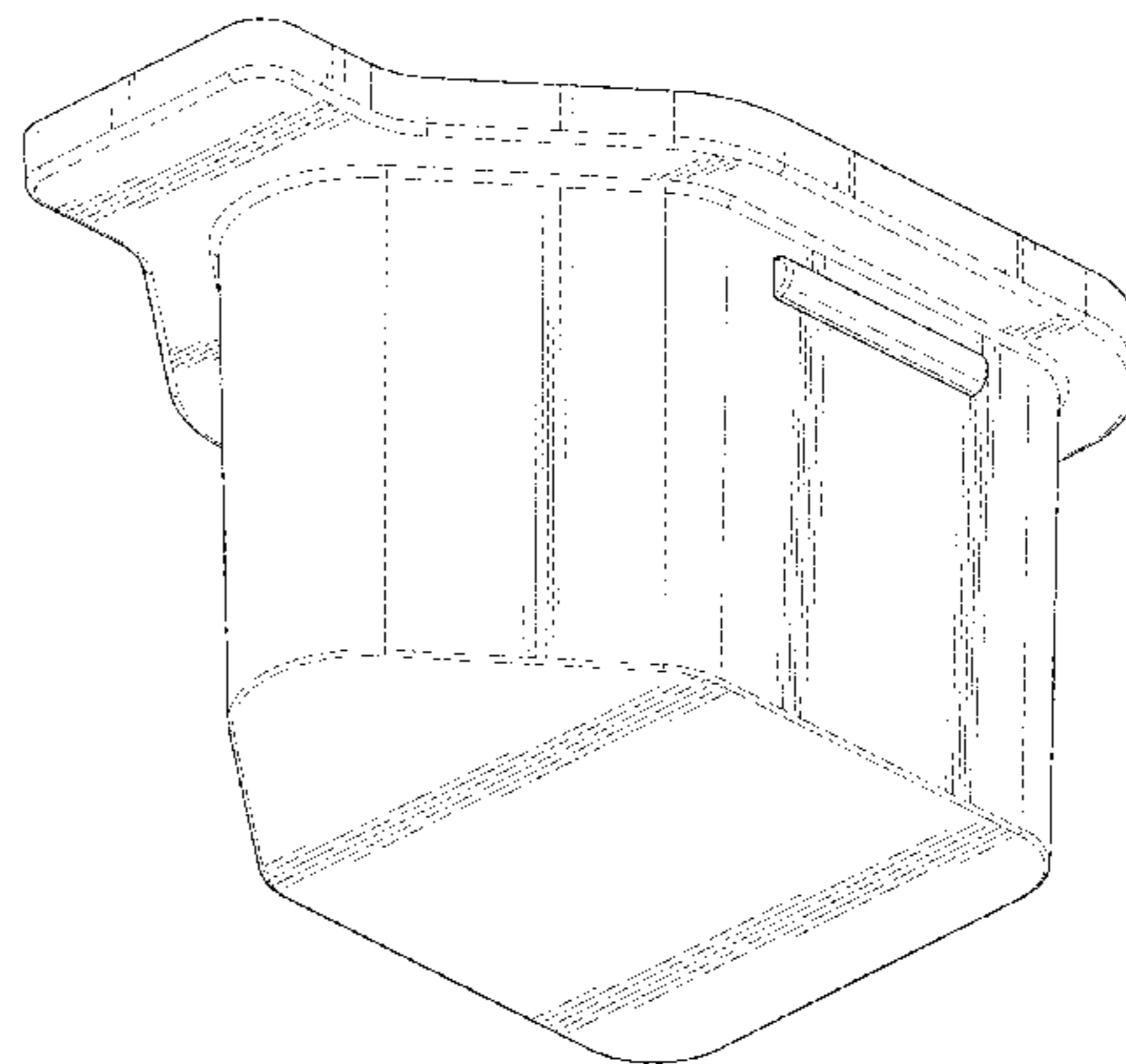
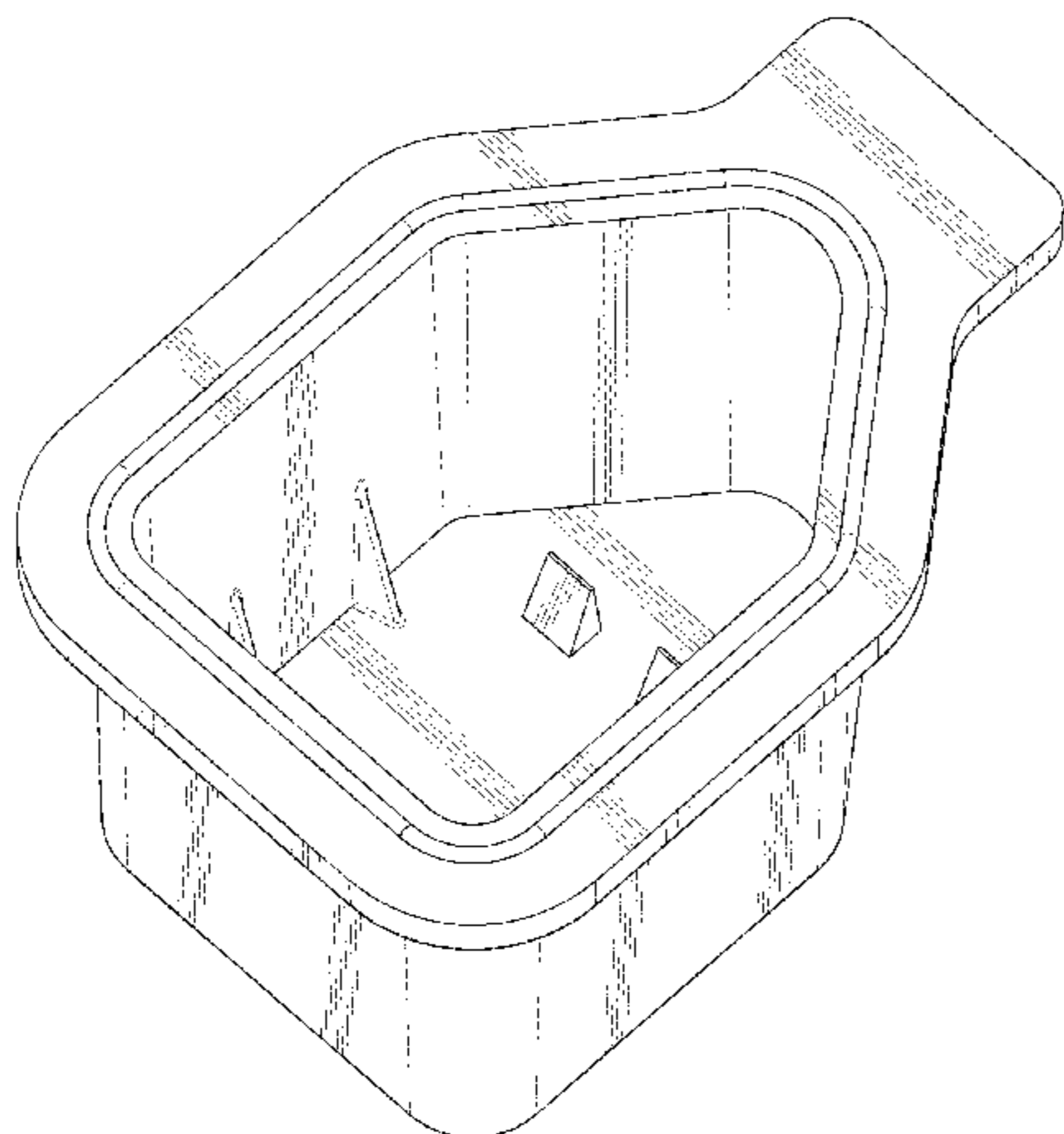
(57) **CLAIM**

The ornamental design for a biochip well, as shown and described.

DESCRIPTION

FIG. 1 is a top perspective view of a biochip well showing my new design;
FIG. 2 is a bottom perspective view thereof;
FIG. 3 is a rear view thereof;
FIG. 4 is a front view thereof;
FIG. 5 is a side view thereof;
FIG. 6 is a top view thereof; and,
FIG. 7 is a bottom view thereof.

1 Claim, 7 Drawing Sheets



(56)

References Cited

U.S. PATENT DOCUMENTS

D365,153 S * 12/1995 Robertson, Jr. D24/224
 D367,932 S * 3/1996 Lim D24/226
 D380,555 S * 7/1997 Kurosaki D24/224
 D401,700 S * 11/1998 Gray D24/224
 D402,766 S * 12/1998 Smith D9/455
 D404,831 S * 1/1999 Yamazaki D24/224
 D405,192 S * 2/1999 Smith D24/227
 D411,014 S * 6/1999 Berger D24/223
 D411,308 S * 6/1999 Pandey D24/227
 D416,330 S * 11/1999 Brown D24/224
 D431,299 S * 9/2000 Lammie D24/224
 D438,632 S * 3/2001 Miller D24/216
 D448,087 S * 9/2001 Regan D24/225
 D453,572 S * 2/2002 Livecchi D24/224
 6,361,745 B1 * 3/2002 Regan B01L 9/52
 422/563
 D480,482 S * 10/2003 Savion D24/216
 D481,133 S * 10/2003 Blouin D24/216
 D484,989 S * 1/2004 Gebrian D24/230
 D501,561 S * 2/2005 Smith D24/229
 D511,214 S * 11/2005 Sasano D10/103
 D512,157 S * 11/2005 Wu D24/227
 D538,438 S * 3/2007 Segawa A61B 1/041
 D24/227
 D538,439 S * 3/2007 Segawa A61B 1/00144
 D24/227
 D544,610 S * 6/2007 Ouchi D24/224
 7,442,342 B2 * 10/2008 Anderson B01L 9/52
 422/510
 D637,311 S * 5/2011 Isobe D24/227
 D655,016 S * 2/2012 Laudo D24/224
 D661,403 S * 6/2012 Connelly D24/224
 D662,217 S * 6/2012 Brown D24/224
 D666,735 S * 9/2012 Kobayashi D24/224
 D666,736 S * 9/2012 Kobayashi D24/224
 D673,288 S * 12/2012 Pierce D24/216
 D673,289 S * 12/2012 Pierce D24/216
 D673,290 S * 12/2012 Pierce D24/216
 D673,689 S * 1/2013 Pierce D24/216
 D676,571 S * 2/2013 Wilson D24/224
 8,372,341 B2 * 2/2013 Walsh G01N 35/00029
 422/68.1
 D681,843 S * 5/2013 Nemeth G01N 21/03
 D24/224

8,449,836 B2 * 5/2013 Anderson B01L 3/5085
 422/500
 D684,273 S * 6/2013 Tajima B01L 3/523
 D24/224
 D688,385 S * 8/2013 Trump D24/224
 8,551,761 B2 * 10/2013 Gohring B01L 3/502715
 435/287.2
 D694,904 S * 12/2013 Banes D24/224
 8,623,789 B2 * 1/2014 Belgrader B01L 3/502715
 422/400
 D698,940 S * 2/2014 Pribenszky D24/224
 D707,821 S * 6/2014 Doraiswamy D24/128
 8,753,873 B2 * 6/2014 Luckey B01L 3/5085
 435/283.1
 D713,542 S * 9/2014 LaFaver D24/224
 D716,965 S * 11/2014 Fruscella D24/224
 D732,685 S * 6/2015 Lavi D24/227
 D743,031 S * 11/2015 Doraiswamy D24/150
 9,375,696 B2 * 6/2016 Shimizu G01N 35/028
 9,540,129 B2 * 1/2017 Wilson B01L 3/5085
 2003/0215370 A1 * 11/2003 Itoh B01L 9/06
 422/400
 2004/0171167 A1 * 9/2004 Yamamoto B01L 3/5085
 436/165
 2005/0023672 A1 * 2/2005 Oostman B01L 3/508
 257/701
 2005/0135974 A1 * 6/2005 Harvey B01L 3/50855
 422/400
 2007/0072287 A1 * 3/2007 Morisette B01L 3/502715
 435/287.2
 2008/0175757 A1 * 7/2008 Powell B01L 3/5085
 422/68.1
 2008/0280785 A1 * 11/2008 Tseng B01J 19/0046
 506/40
 2008/0312100 A1 * 12/2008 Miyagawa C12Q 1/6837
 506/13
 2009/0035187 A1 * 2/2009 Schleifer B01L 3/50855
 422/400
 2009/0253582 A1 * 10/2009 Pena B01L 3/5085
 506/7
 2012/0053068 A1 * 3/2012 Remacle C12Q 1/6851
 506/9
 2013/0101480 A1 * 4/2013 Yang B01L 3/50853
 422/552
 2016/0214113 A1 * 7/2016 Togawa B01L 3/5085
 2017/0198343 A1 * 7/2017 Davis C12Q 1/6869

* cited by examiner

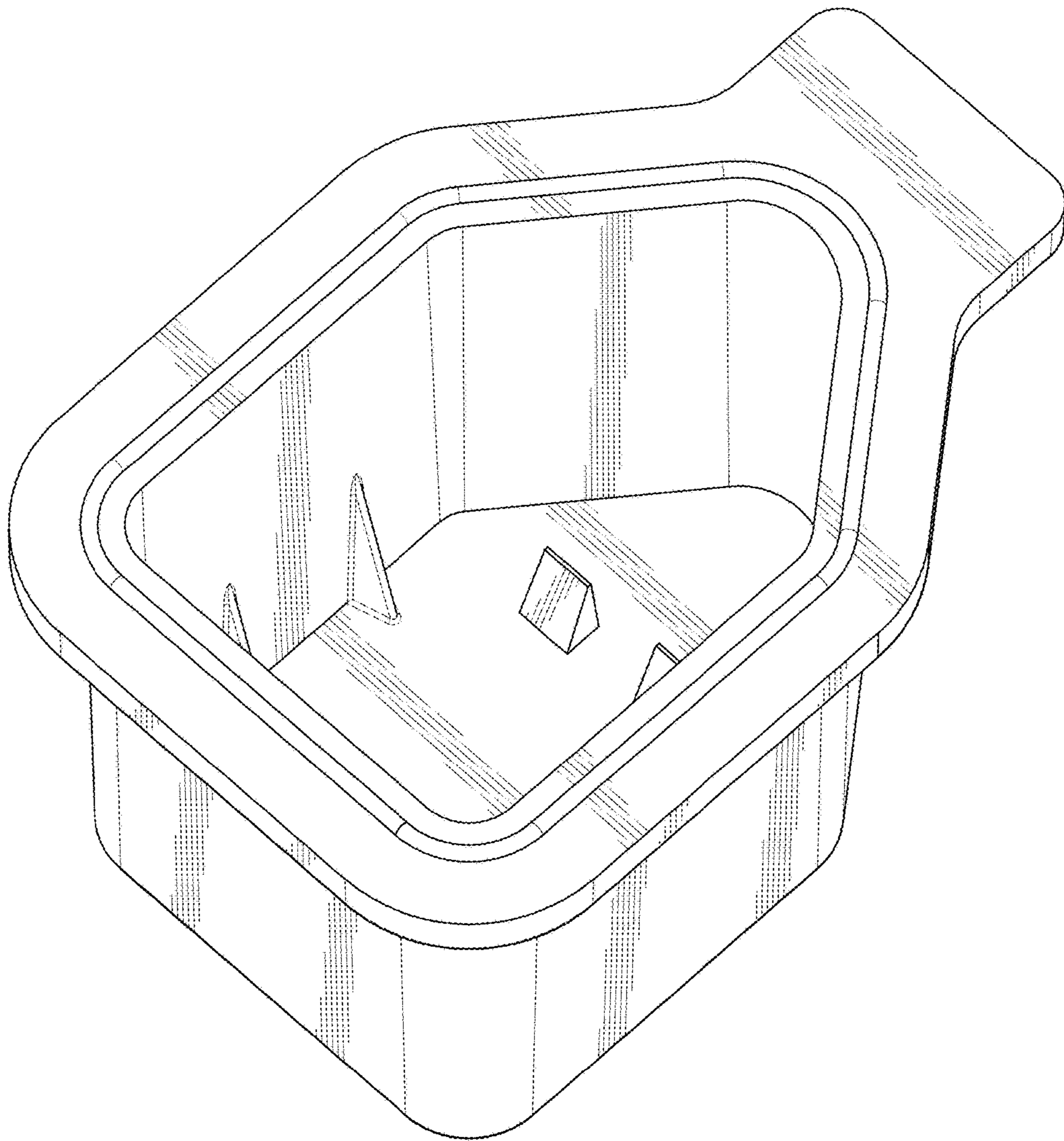


FIG. 1

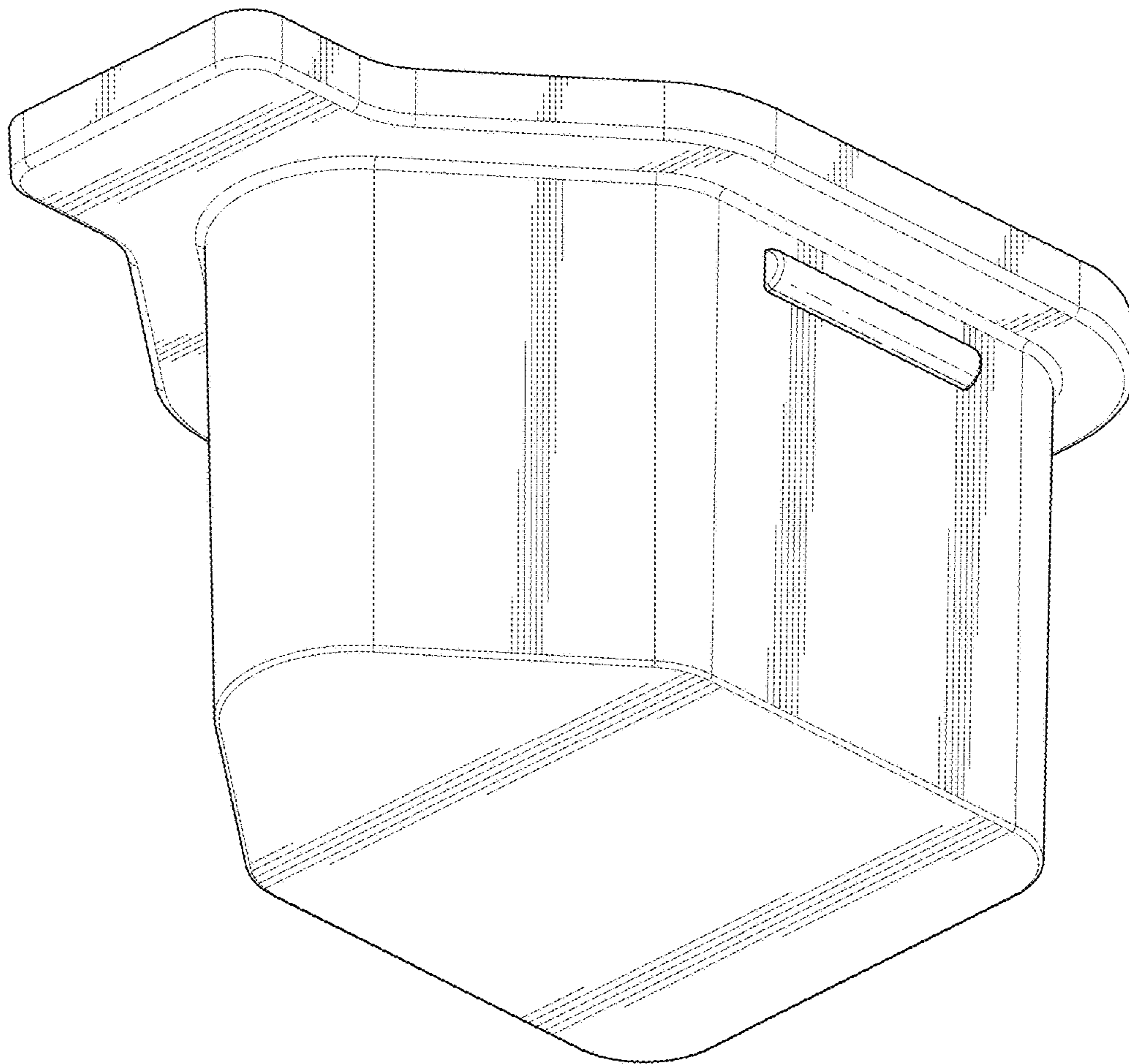


FIG. 2

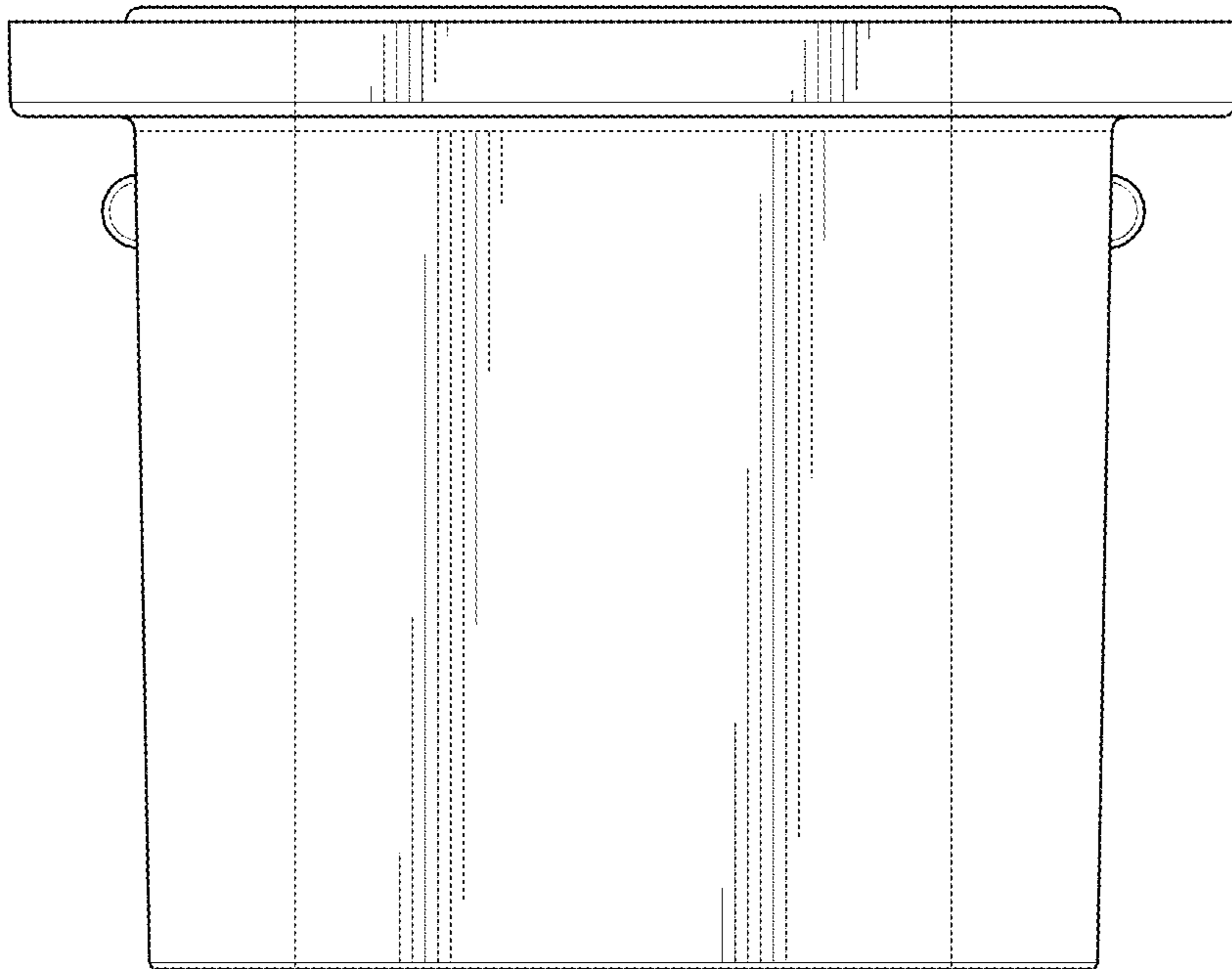


FIG. 3

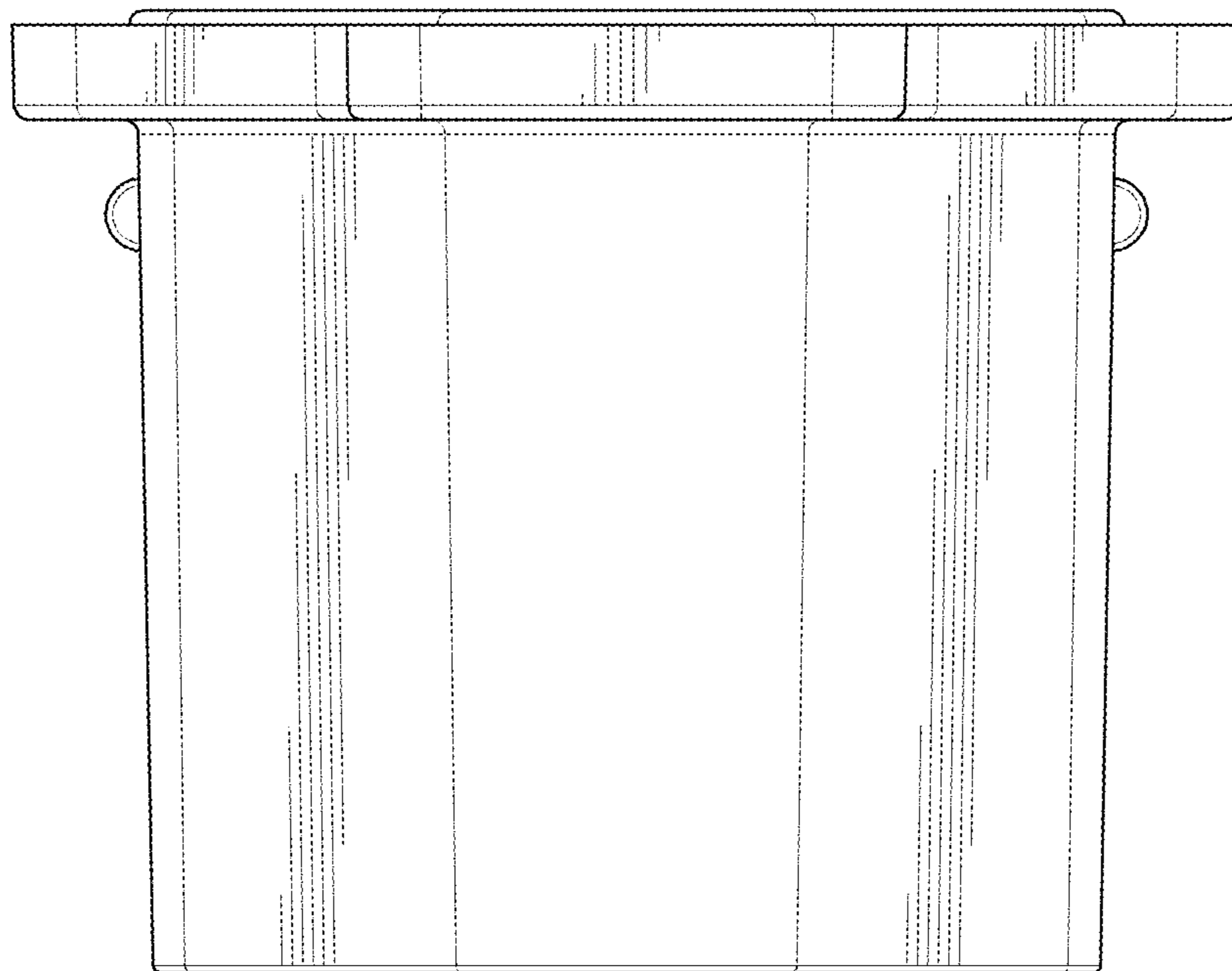


FIG. 4

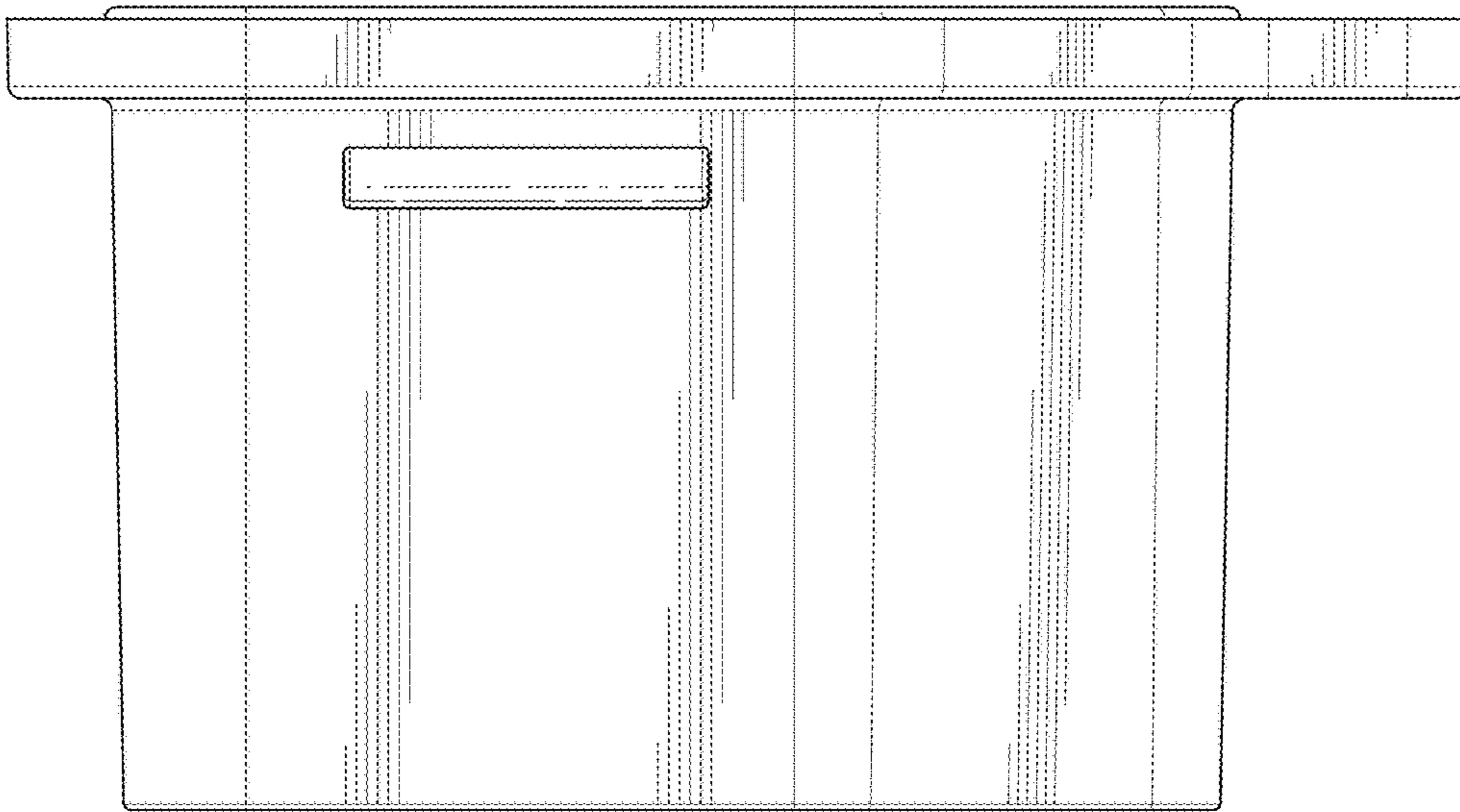


FIG. 5

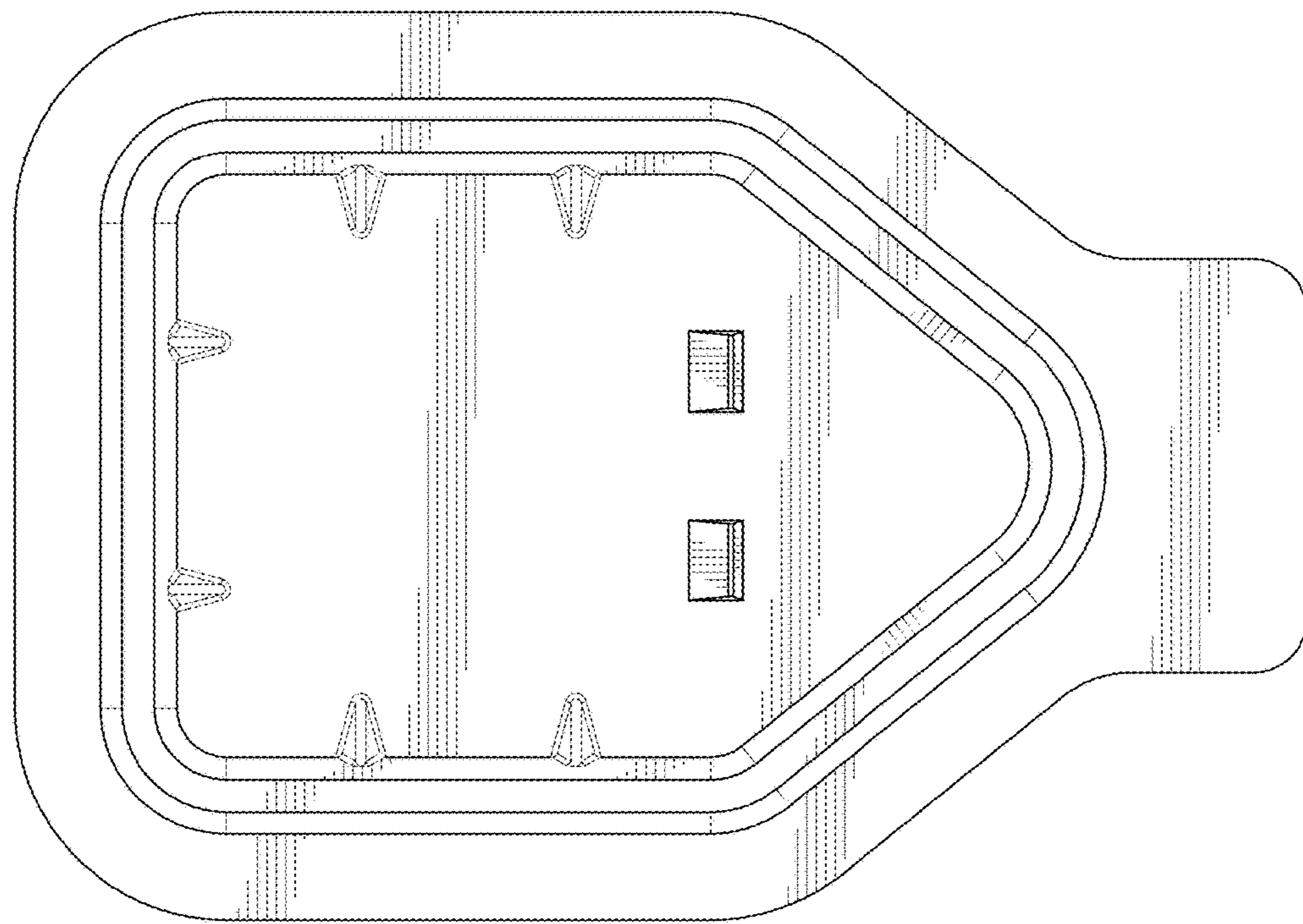


FIG. 6

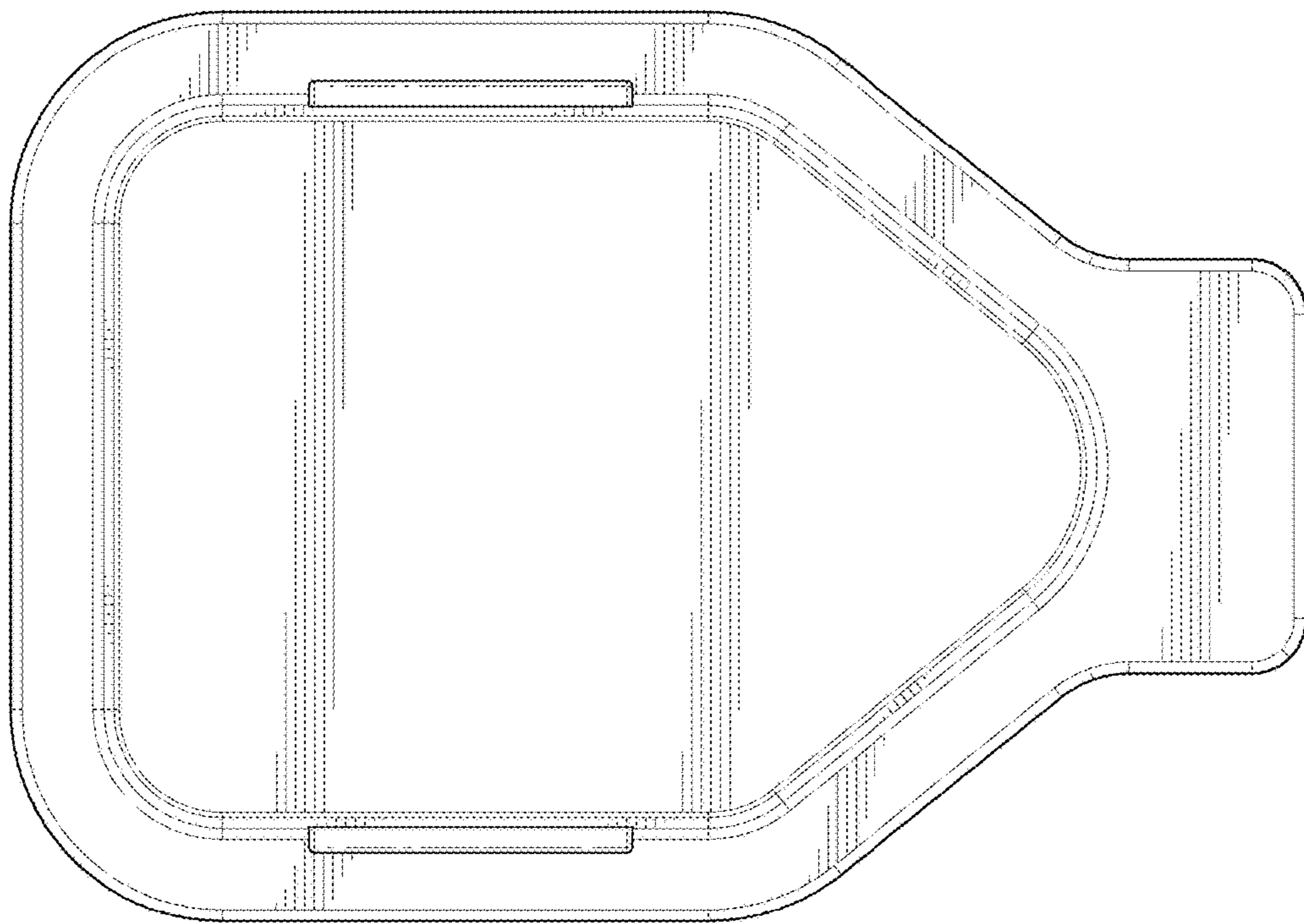


FIG. 7