



US00D815751S

(12) **United States Design Patent**  
**Tominaga**

(10) **Patent No.:** **US D815,751 S**  
(45) **Date of Patent:** **\*\* Apr. 17, 2018**

(54) **DESKTOP CENTRIFUGE**  
(71) Applicant: **Tomy Kogyo Co., Ltd.**, Tokyo (JP)  
(72) Inventor: **Kenjiro Tominaga**, Tokyo (JP)  
(73) Assignee: **TOMY KOGYO CO., LTD.**, Tokyo (JP)  
(\*\*) Term: **15 Years**

D303,147 S \* 8/1989 Ota ..... D24/219  
D329,902 S \* 9/1992 Kim ..... D24/219  
D335,930 S \* 5/1993 Tominaga ..... D24/219  
D343,904 S \* 2/1994 Silver ..... D24/219  
D437,418 S \* 2/2001 Suzuki ..... D24/219  
6,390,965 B1 \* 5/2002 Matsushima ..... B04B 5/0414  
494/16  
6,805,843 B2 \* 10/2004 Tsukui ..... B04B 5/0414  
422/551  
D525,890 S \* 8/2006 Inagaki ..... D10/81  
D689,193 S \* 9/2013 Shinohara ..... D24/216

(21) Appl. No.: **29/559,484**  
(22) Filed: **Mar. 29, 2016**

\* cited by examiner

*Primary Examiner* — Anhdao Doan

(30) **Foreign Application Priority Data**

(74) *Attorney, Agent, or Firm* — Bacon & Thomas, PLLC

Oct. 15, 2015 (JP) ..... 2015-022735  
(51) **LOC (11) Cl.** ..... **24-01**  
(52) **U.S. Cl.**  
USPC ..... **D24/219**  
(58) **Field of Classification Search**  
USPC ..... D24/216–219, 186, 231, 232; D10/81  
CPC ..... G01N 9/30; G01N 15/042; G01N 33/491;  
B04B 7/02; B04B 15/02  
See application file for complete search history.

(57) **CLAIM**

The ornamental design for a desktop centrifuge, as shown and described.

(56) **References Cited**

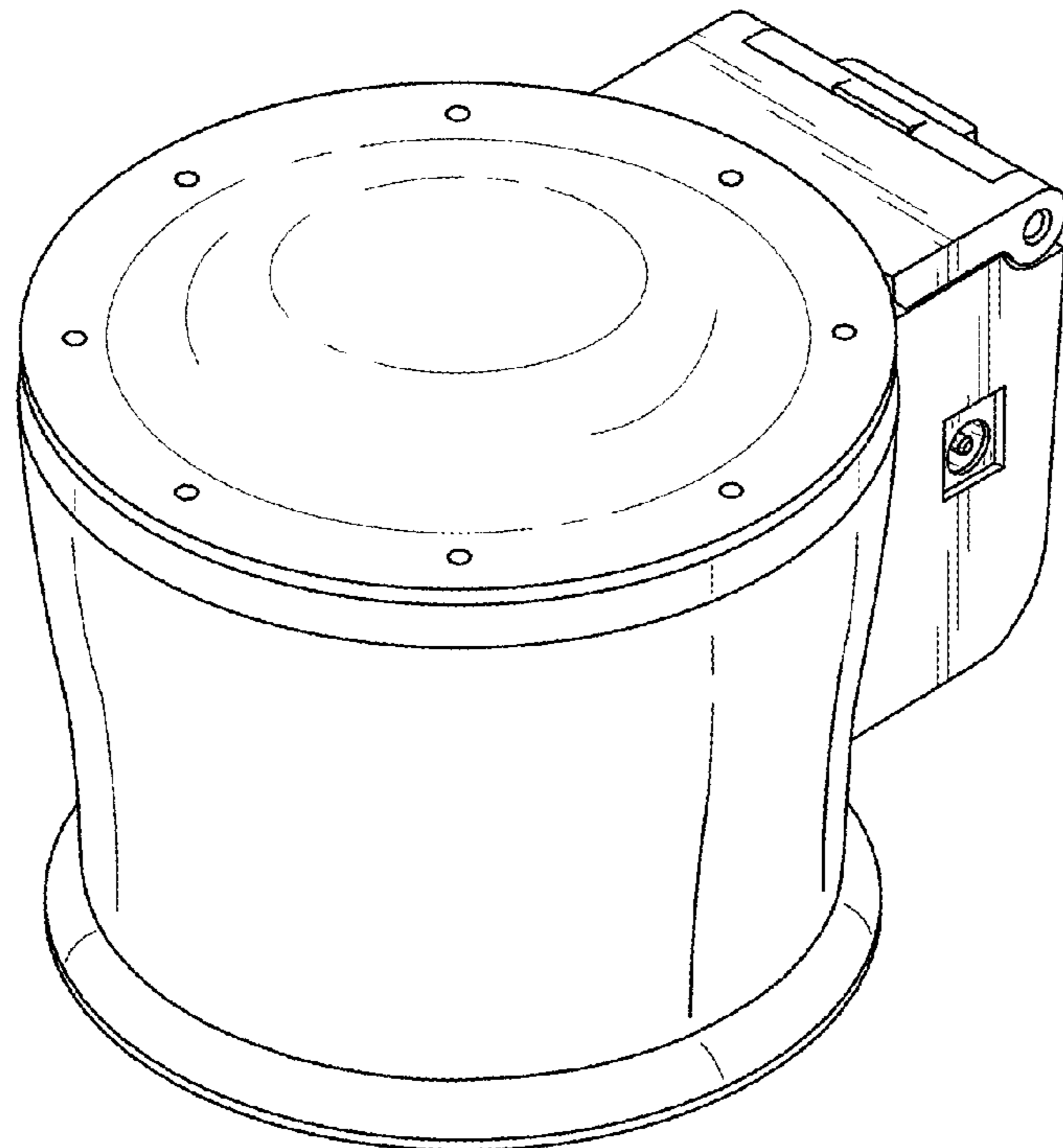
**DESCRIPTION**

**U.S. PATENT DOCUMENTS**

D211,466 S \* 6/1968 Gulotta ..... D24/219  
3,970,245 A \* 7/1976 Aeschlimann ..... B04B 5/0414  
494/11

FIG. 1 is a top perspective view of the design for a desktop centrifuge according to the present disclosure;  
FIG. 2 is a top plan view thereof;  
FIG. 3 is a bottom plan view thereof;  
FIG. 4 is a front elevational view thereof;  
FIG. 5 is a rear elevational view thereof;  
FIG. 6 is a left side elevational view thereof;  
FIG. 7 is a right side elevational view thereof; and,  
FIG. 8 is a top perspective view with the lid open.

**1 Claim, 5 Drawing Sheets**



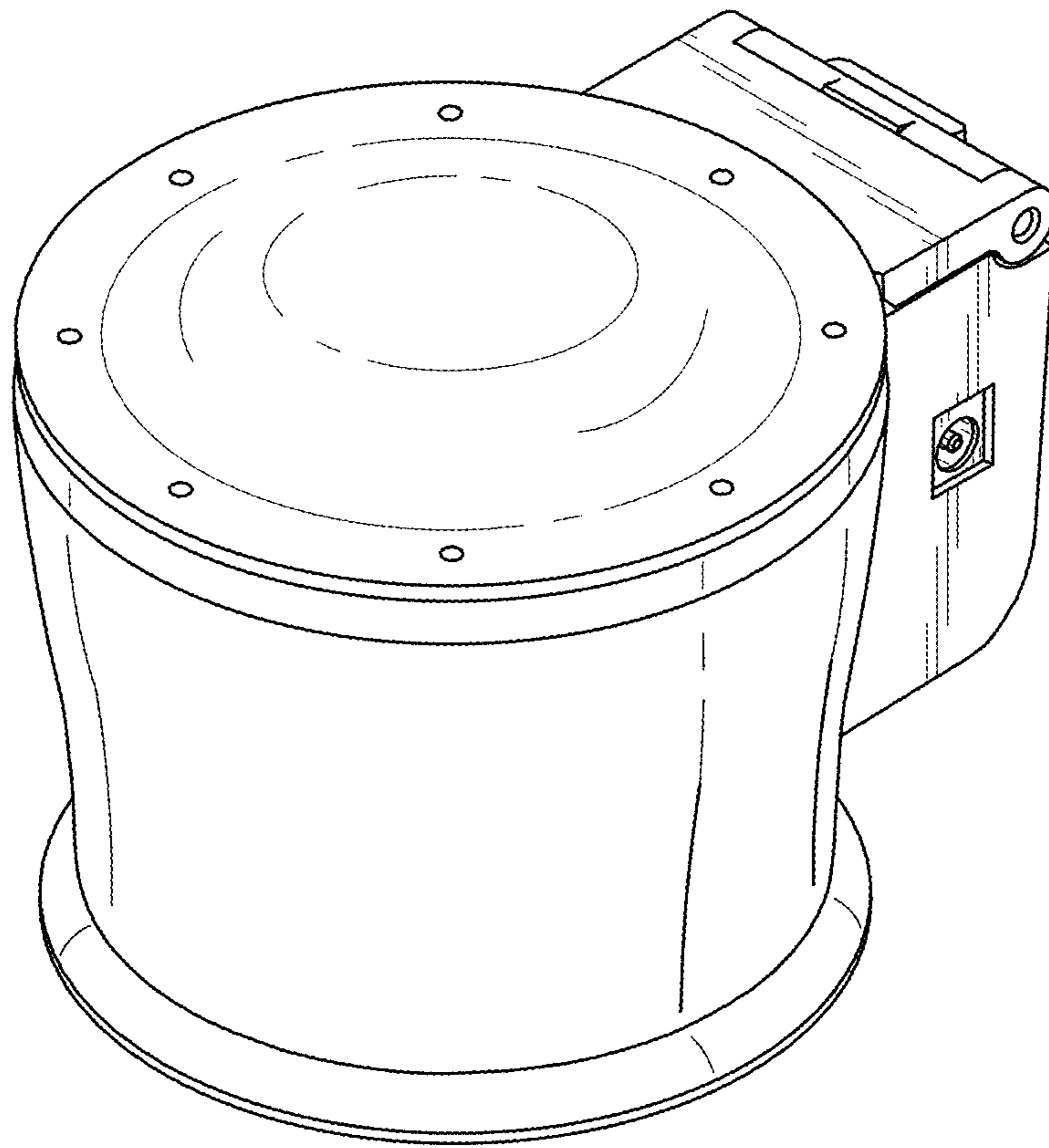


FIG. 1

FIG. 2

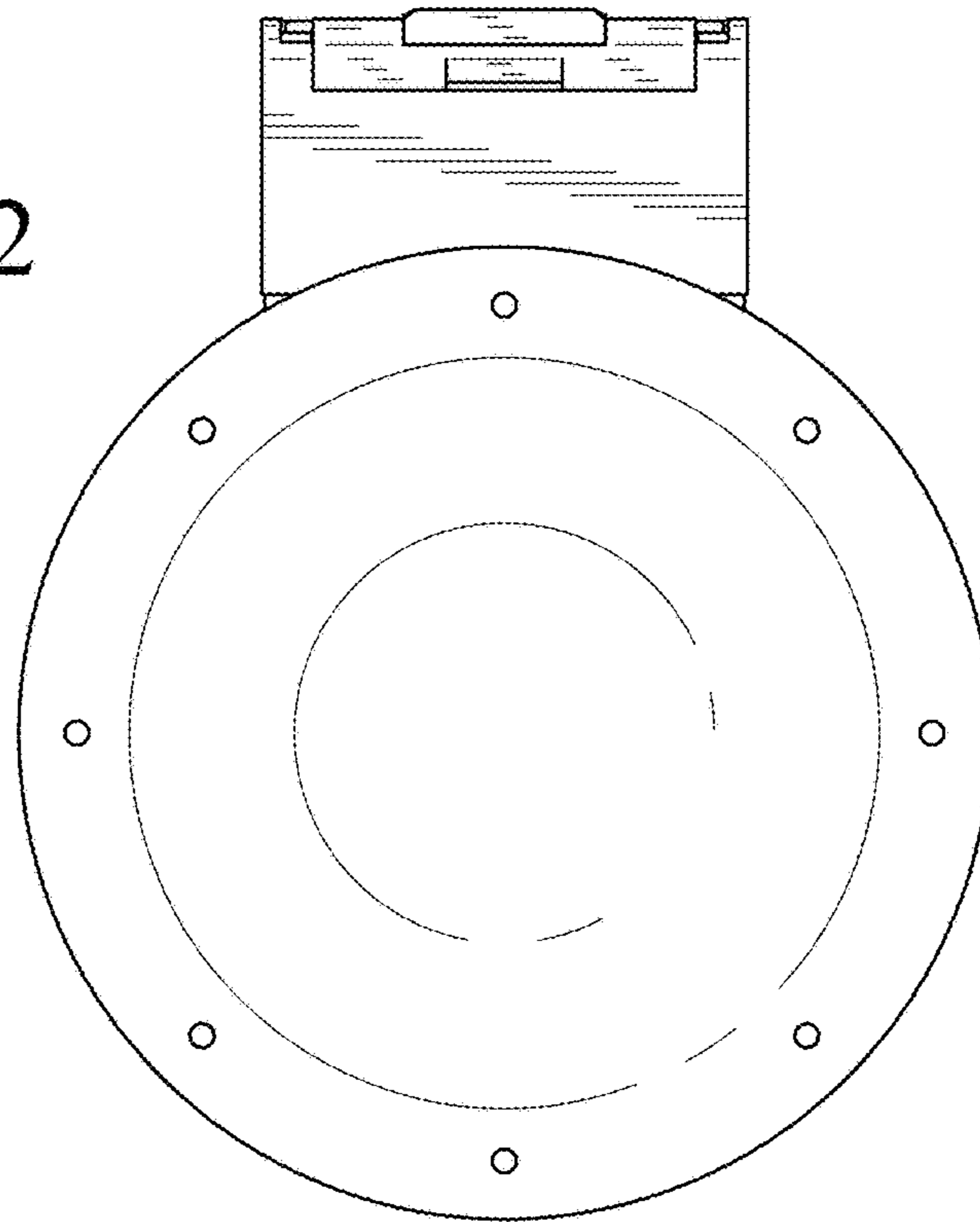
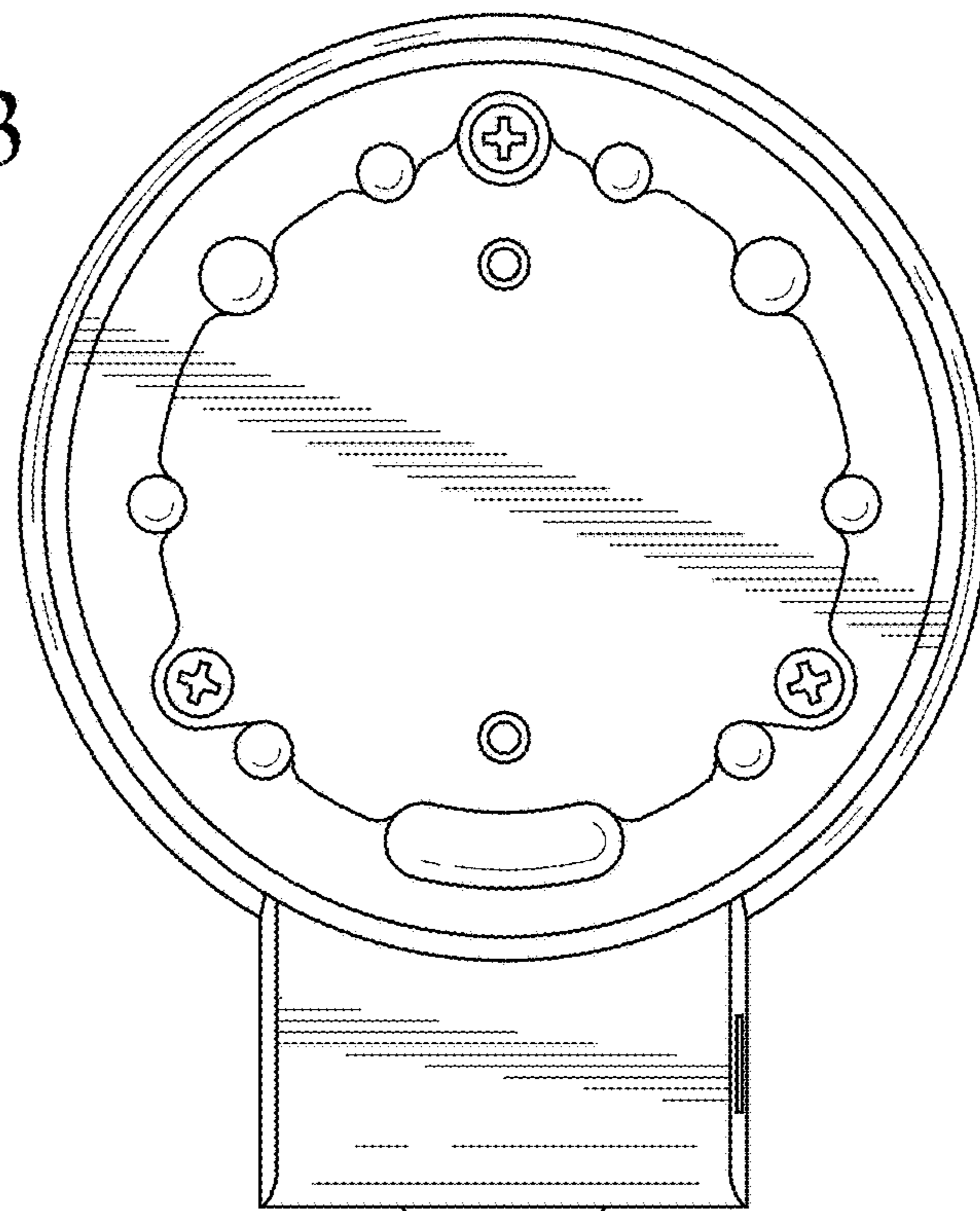


FIG. 3



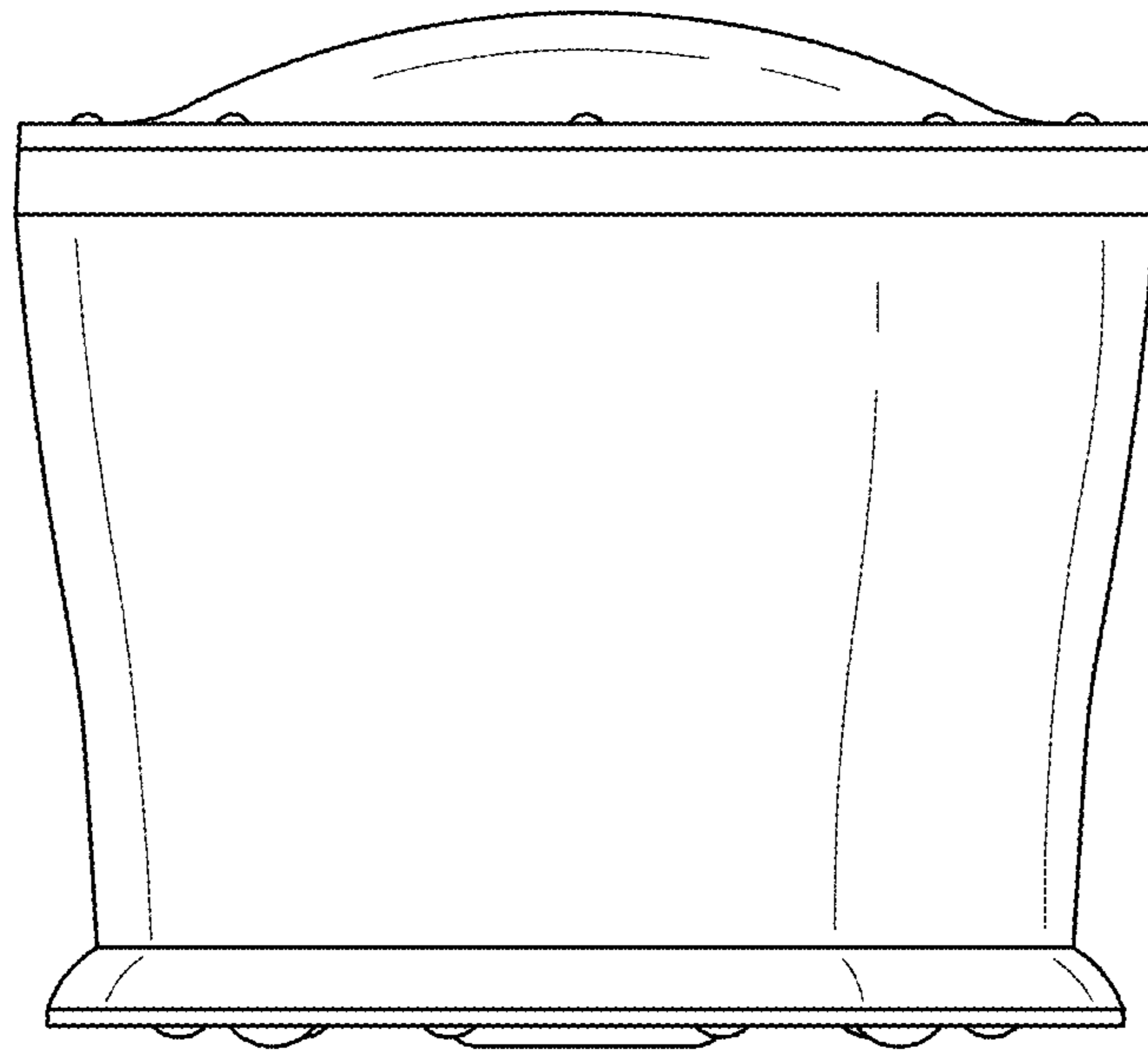


FIG. 4

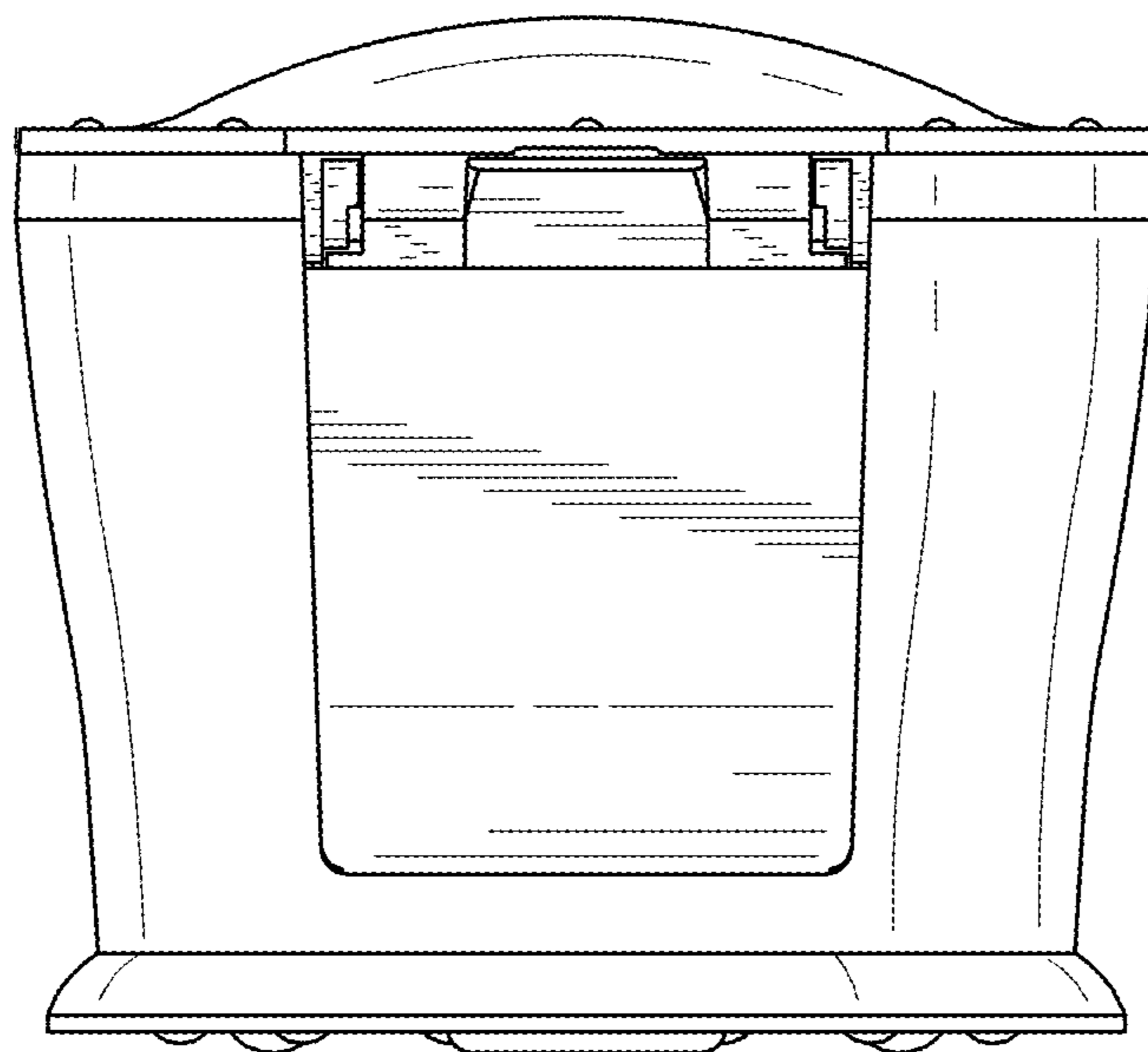


FIG. 5

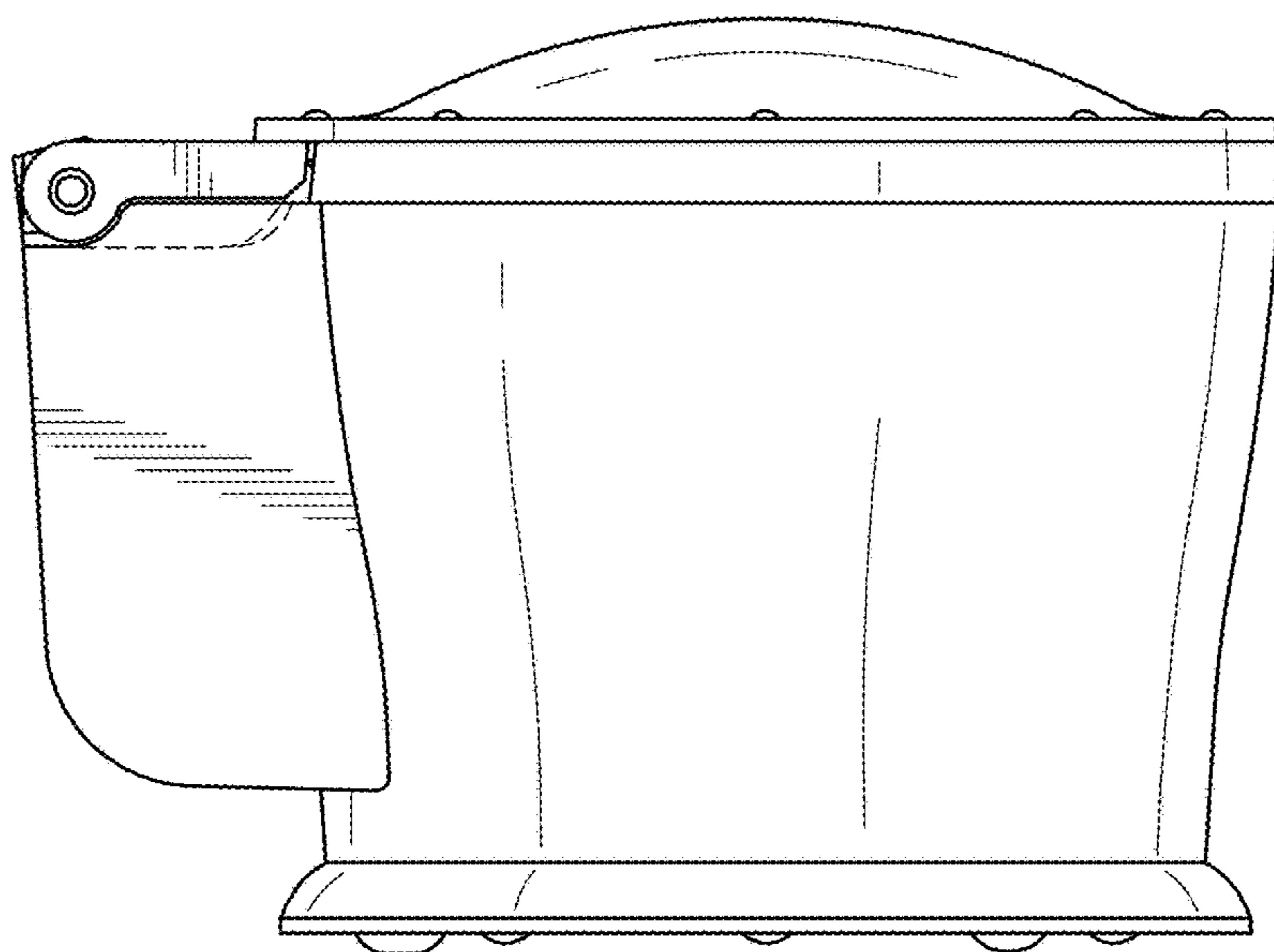


FIG. 6

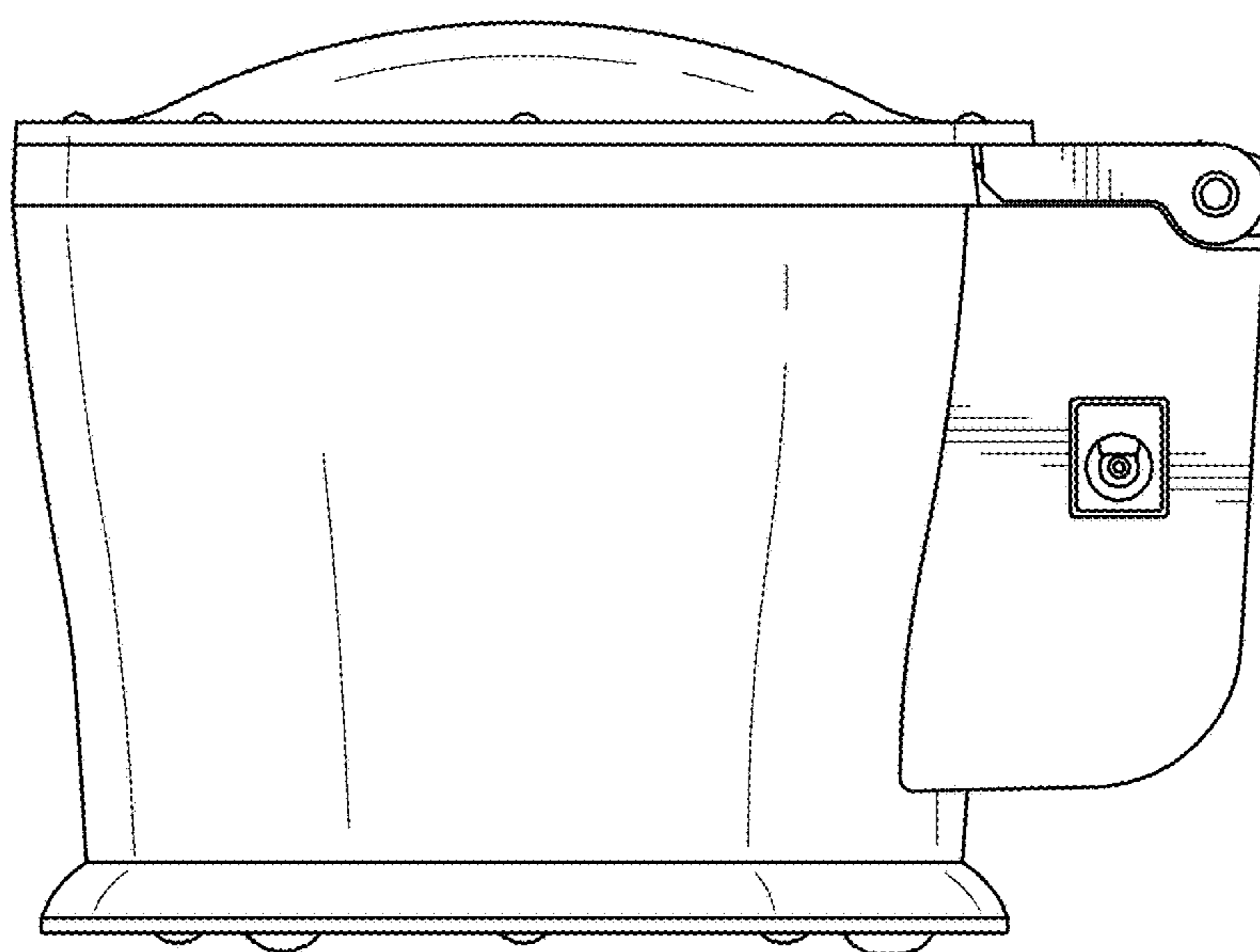


FIG. 7

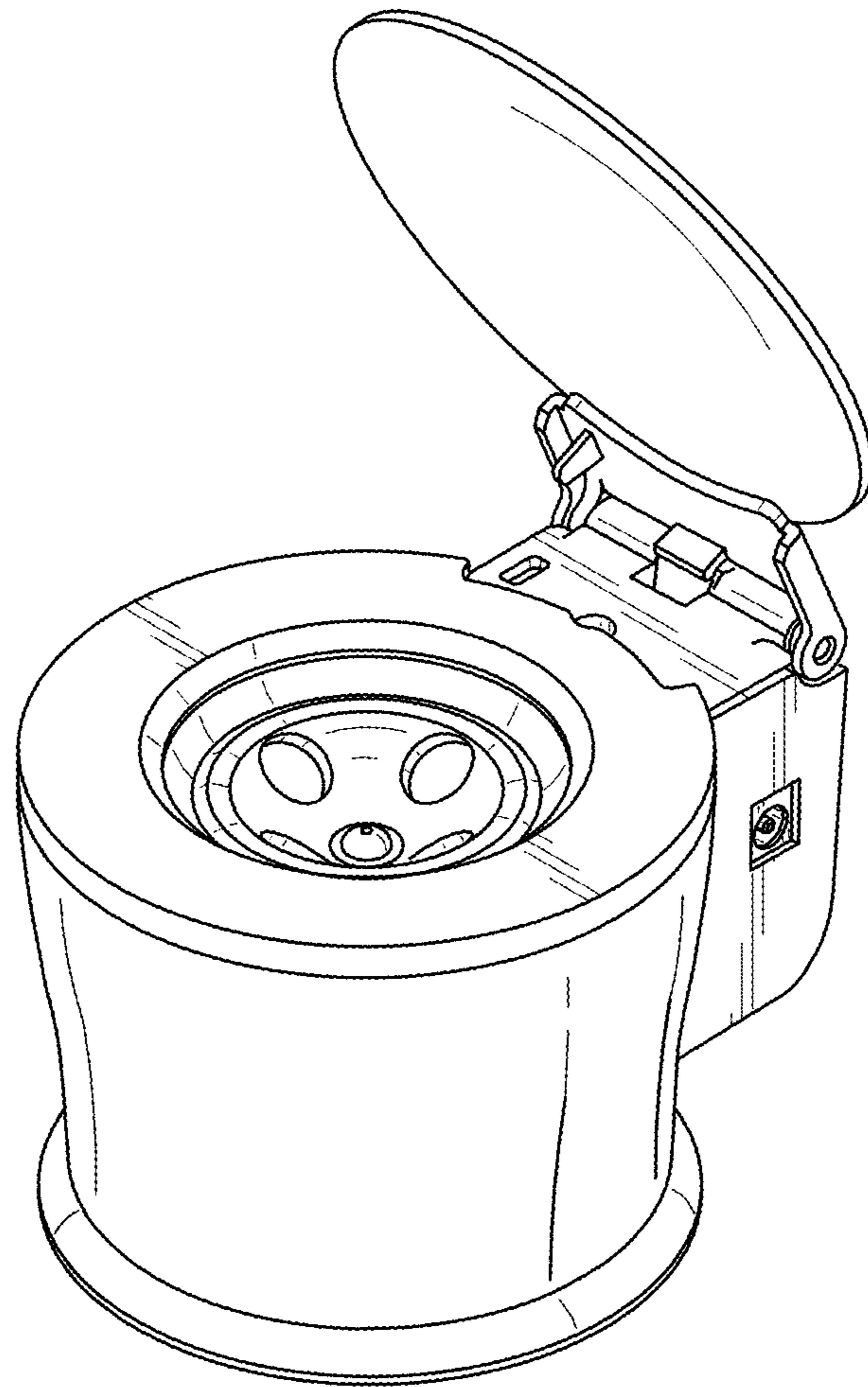


FIG. 8