



US00D815746S

(12) **United States Design Patent** (10) **Patent No.:** **US D815,746 S**
Seval et al. (45) **Date of Patent:** **** Apr. 17, 2018**

(54) **ELECTRODE**

5/742; A63F 13/06; A63F 13/10; A63F 13/218; G01G 19/44; G01G 19/4146; G01G

(71) Applicant: **IMPETO MEDICAL**, Paris (FR)

(Continued)

(72) Inventors: **Mathieu Seval**, Les Clayes Sous Bois (FR); **Nicolas Bocquet**, Chatillon (FR)

(56) **References Cited**

(73) Assignee: **Impeto Medical**, Paris (FR)

U.S. PATENT DOCUMENTS

(**) Term: **15 Years**

4,033,329 A 7/1977 Gregory et al.
5,080,109 A 1/1992 Arme, Jr.
D328,132 S 7/1992 Beardall et al.

(21) Appl. No.: **29/595,026**

(Continued)

(22) Filed: **Feb. 24, 2017**

OTHER PUBLICATIONS

Related U.S. Application Data

Notice of Allowance for U.S. Appl. No. 29/563,266, dated May 3, 2017, 13 pages.

(62) Division of application No. 29/563,266, filed on May 3, 2016, now Pat. No. Des. 796,681.

U.S. Appl. No. 29/563,266, filed May 13, 2016, Seval et al.

(30) **Foreign Application Priority Data**

Primary Examiner — Ian Simmons

Nov. 3, 2015 (EM) 002846410-0001
Nov. 3, 2015 (EM) 002846410-0002

Assistant Examiner — Mark A Cavanna

(74) *Attorney, Agent, or Firm* — Sheridan Ross P.C.

(51) **LOC (11) Cl.** **24-01**

(57) **CLAIM**

(52) **U.S. Cl.**
USPC **D24/184**

The ornamental design for electrode, as shown and described.

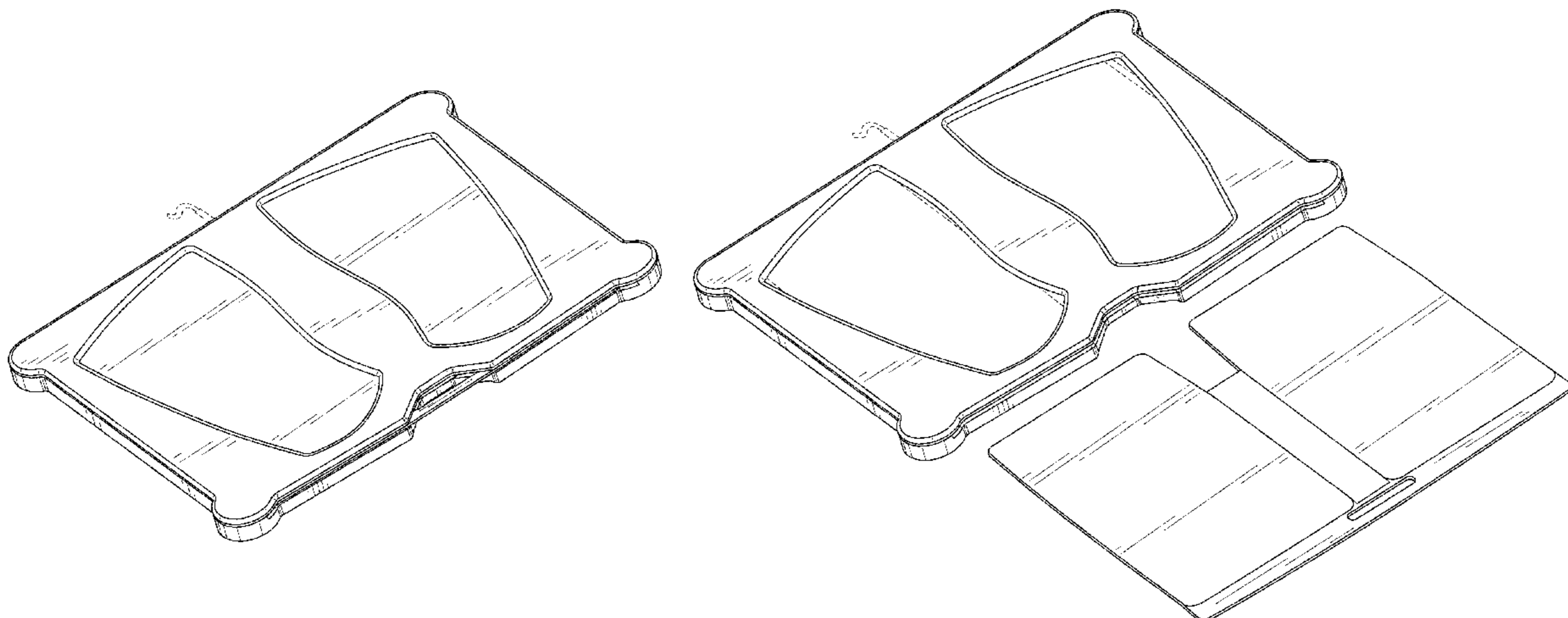
(58) **Field of Classification Search**

DESCRIPTION

USPC D24/186, 187; D21/333; 177/25.13, 50, 177/201, 245; 33/515; 600/301, 346, 600/372, 382, 384, 483, 485, 504, 509, 600/547, 552, 554, 555, 557, 587, 594, 600/595; 607/67; 73/1.13, 65.01; D10/93; 463/36, 39-40, 43; 340/332
CPC A61B 19/081; A61B 46/10; A61B 46/40; A61B 5/053; A61B 5/0051; A61B 5/0537; A61B 5/02007; A61B 5/02125; A61B 5/0245; A61B 5/0402; A61B 5/01; A61B 5/1036; A61B 5/1102; A61B 5/4035; A61B 5/4041; A61B 5/4824; A61B 5/4827; A61B 5/483; A61B 5/486; A61B 5/4869; A61B 5/4872; A61B 5/6826; A61B 5/6828; A61B 5/6829; A61B 5/6838; A61B 5/6887; A61B

FIG. 1 is a perspective view of an electrode showing our new design;
FIG. 2 is a top view thereof;
FIG. 3 is a bottom view thereof;
FIG. 4 is a back view thereof;
FIG. 5 is a front view thereof;
FIG. 6 is a right side view thereof;
FIG. 7 is a left side view thereof; and,
FIG. 8 is a perspective view of the electrode in a second position of use wherein an interior portion is shown in a second position of use, the rear surfaces of the interior portion are comprised of unclaimed subject matter.

(Continued)



The broken lines constitute environment and, thus, unclaimed subject matter.

1 Claim, 6 Drawing Sheets

(58) Field of Classification Search

CPC 19/50; G01G 21/28; G01G 21/3735; G01G 23/01

See application file for complete search history.

(56)

References Cited

U.S. PATENT DOCUMENTS

5,381,805 A 1/1995 Tuckett et al.
 6,280,396 B1 8/2001 Clark
 6,387,061 B1 5/2002 Nitto
 6,490,481 B1* 12/2002 Komatsu A61B 5/4872
 600/372
 6,516,221 B1 2/2003 Hirouchi et al.
 6,643,542 B1 11/2003 Kawanishi
 6,850,798 B2 2/2005 Morgan et al.
 D503,120 S* 3/2005 Sato D10/93
 7,125,386 B2 10/2006 Kasahara
 7,340,295 B2* 3/2008 Shiokawa A61B 5/0537
 600/547
 7,358,861 B2* 4/2008 Blum G06Q 30/0241
 340/332
 8,100,770 B2* 1/2012 Yamazaki A63F 13/06
 463/39
 8,387,437 B2 3/2013 Yamazaki et al.
 8,498,687 B2 7/2013 Karo et al.
 8,515,551 B2 8/2013 Rhodes

8,725,229 B2 5/2014 Furue et al.
 D709,205 S 7/2014 Ehninger et al.
 8,934,954 B2 1/2015 Brunswick et al.
 D736,935 S 8/2015 Just et al.
 9,173,568 B2 11/2015 Gefen
 9,462,977 B2* 10/2016 Horseman A61B 5/01
 9,480,918 B2 11/2016 Hayashi et al.
 9,498,137 B2 11/2016 Kovacs
 9,693,696 B2* 7/2017 Kovacs A61B 5/053
 9,719,840 B2* 8/2017 Shimizu G01G 19/4146
 2005/0171451 A1* 8/2005 Yeo A61B 5/0537
 600/509
 2007/0038140 A1* 2/2007 Masuo A61B 5/0537
 600/547
 2008/0009756 A1 1/2008 Keren
 2009/0018464 A1 1/2009 Watanabe
 2009/0024053 A1* 1/2009 Kasahara A61B 5/0537
 600/547
 2009/0093315 A1* 4/2009 Matsunaga A63F 13/10
 463/43
 2010/0210921 A1* 8/2010 Park G01G 19/4146
 600/301
 2011/0213268 A1 9/2011 Kosaka et al.
 2011/0240379 A1 10/2011 Forshaw et al.
 2013/0032413 A1 2/2013 Smith et al.
 2013/0102870 A1 4/2013 Murakawa et al.
 2013/0131463 A1 5/2013 Date et al.
 2013/0310700 A1* 11/2013 Wiard A61B 5/02125
 600/485
 2014/0058215 A1 2/2014 Hatakeyama
 2015/0112209 A1 4/2015 Bieber et al.
 2015/0338265 A1 11/2015 Carreel et al.
 2016/0038038 A1 2/2016 Kovacs
 2016/0256686 A1 9/2016 Moon

* cited by examiner

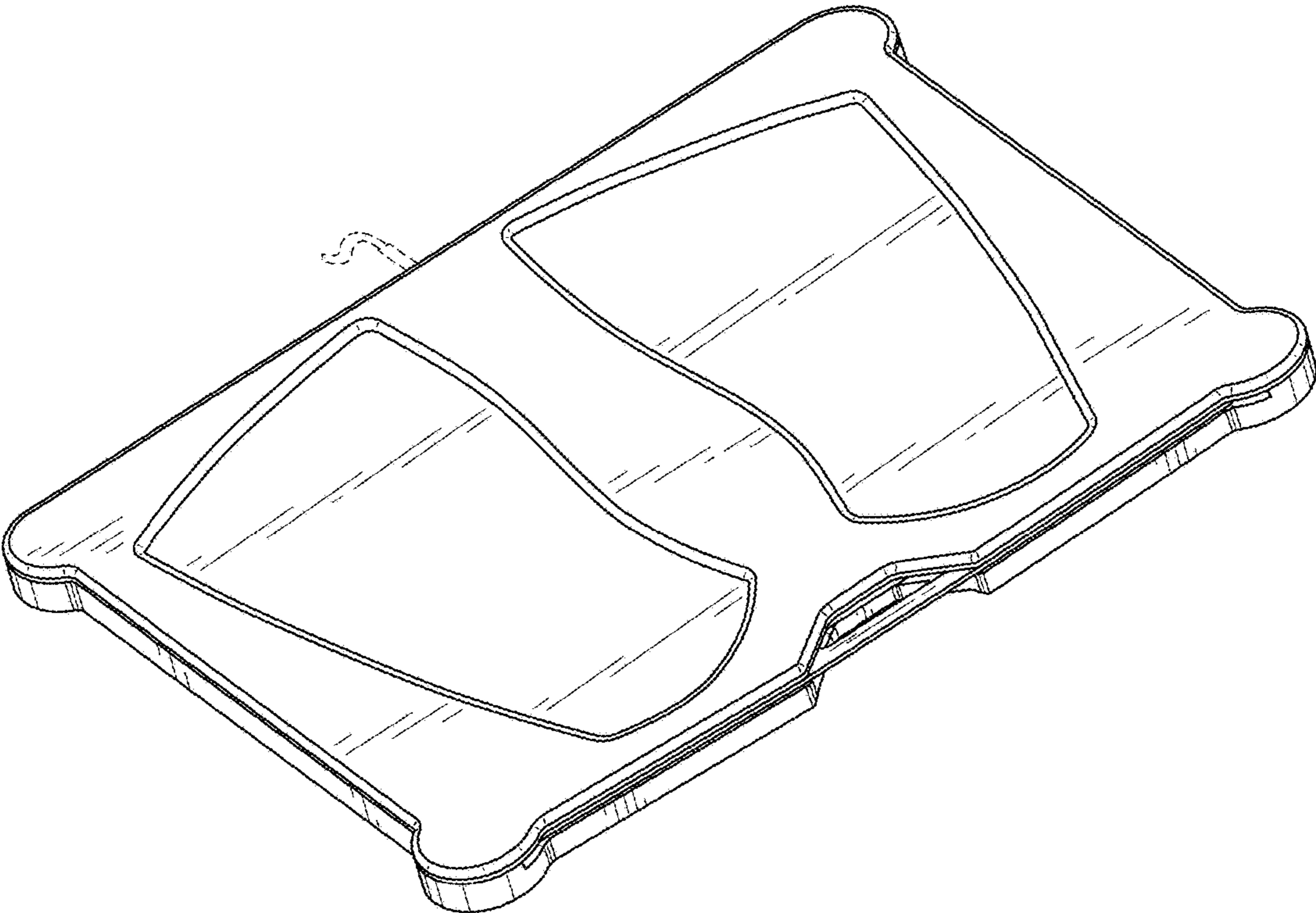


FIG. 1

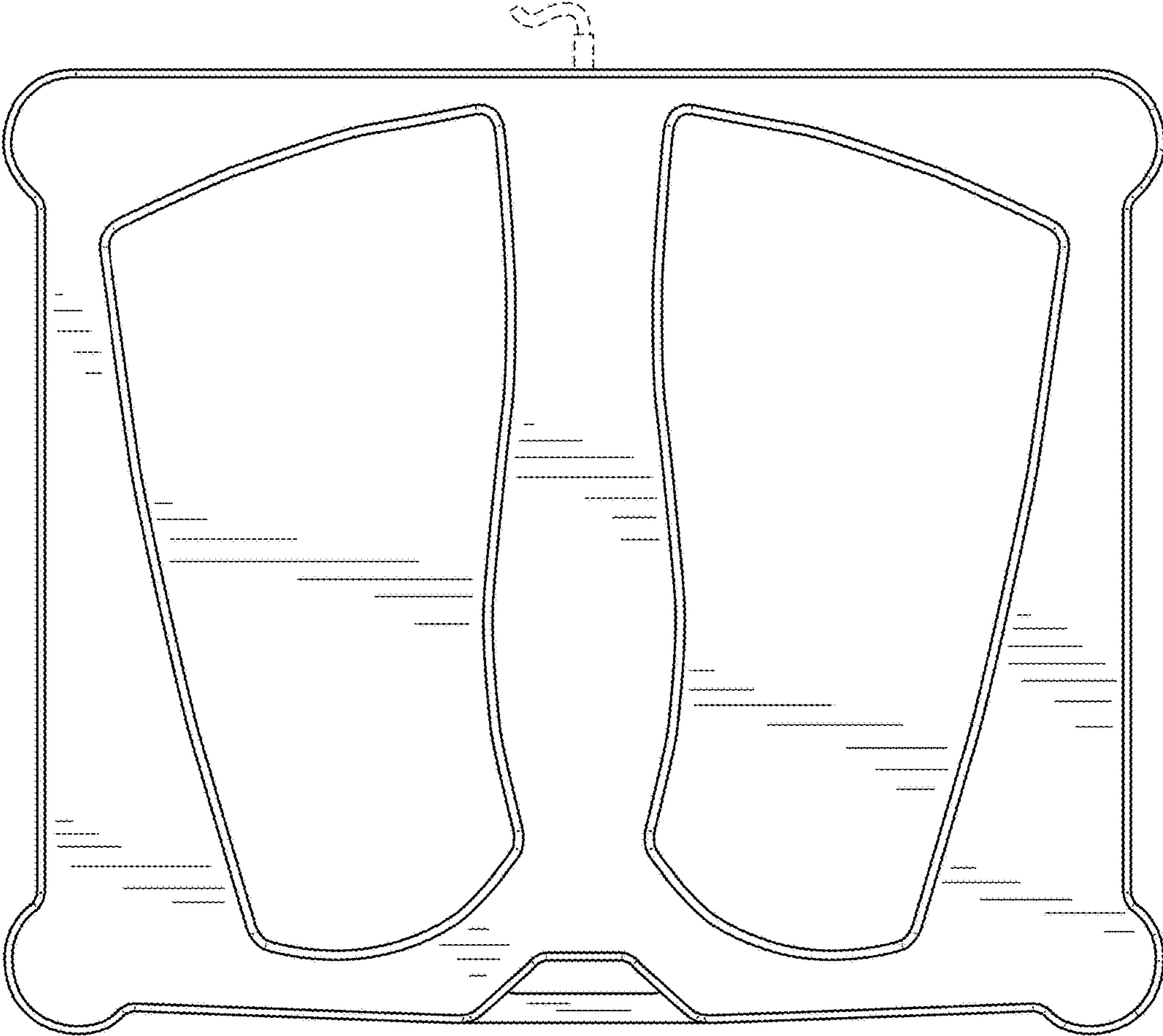


FIG.2

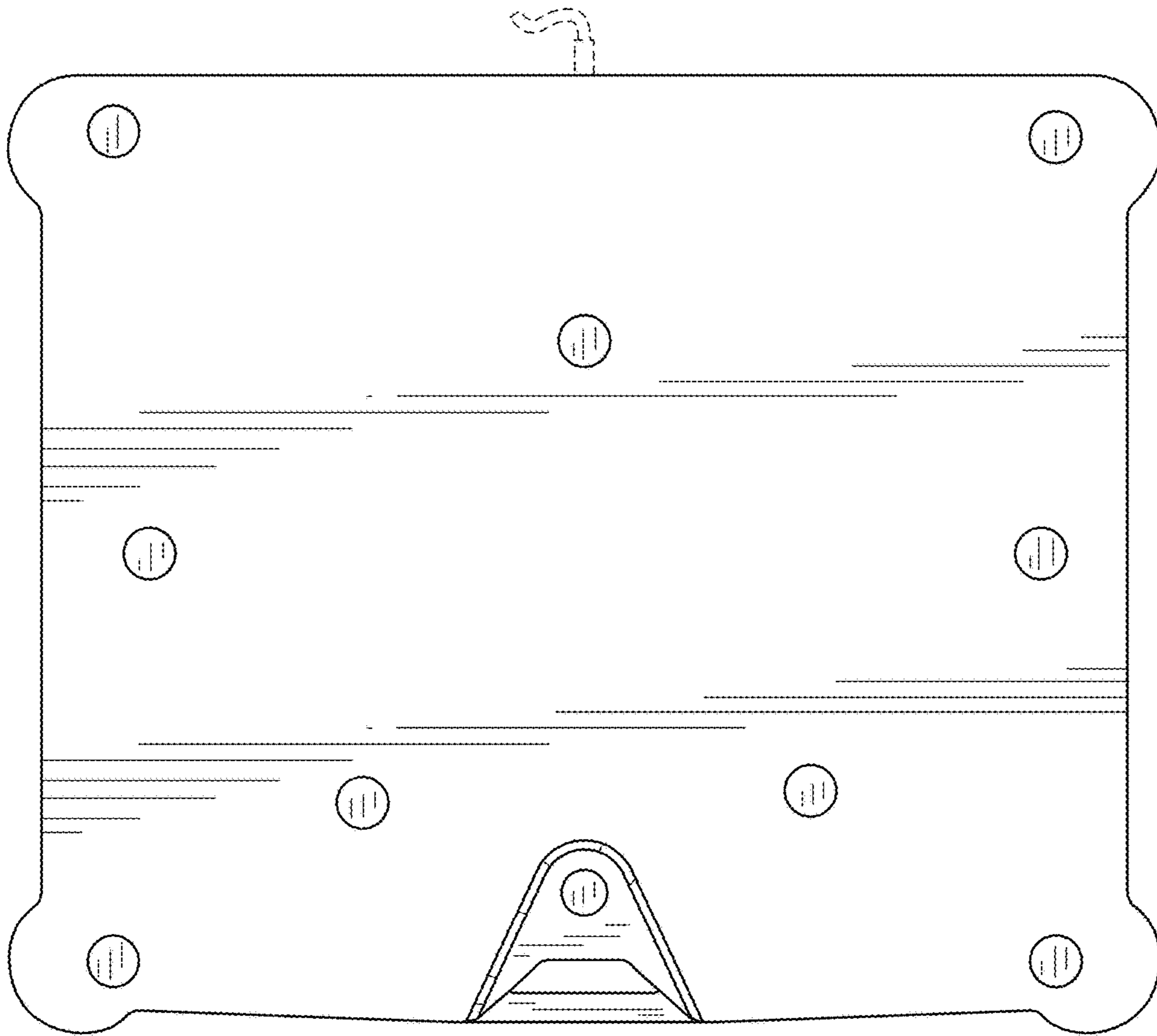


FIG.3

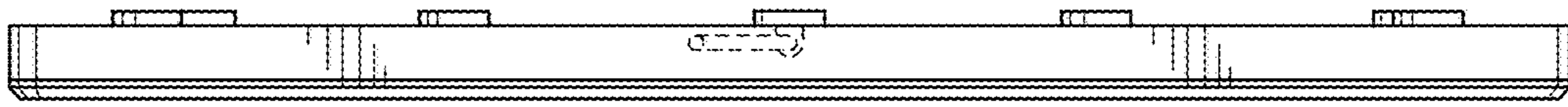


FIG.4



FIG.5

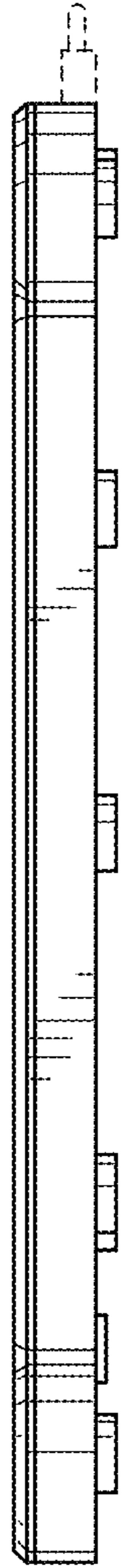


FIG. 6



FIG. 7

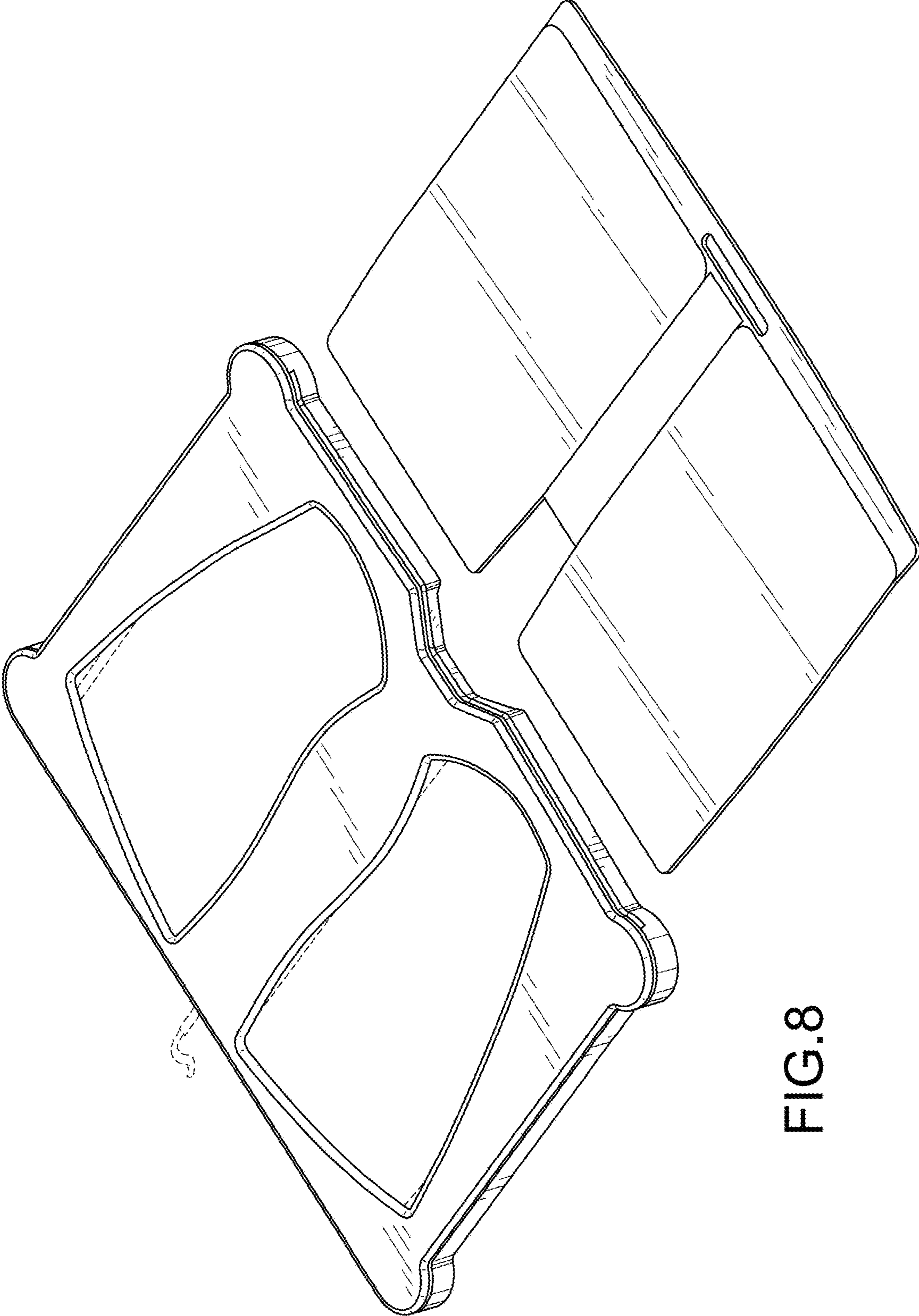


FIG.8