



US00D815745S

(12) **United States Design Patent**  
**Rynerson**

(10) **Patent No.:** **US D815,745 S**  
(45) **Date of Patent:** **\*\* Apr. 17, 2018**

- (54) **INTRA-ORAL SCANNER**
- (71) Applicant: **DENTAL WINGS INC.**, Montreal (CA)
- (72) Inventor: **Michael Rynerson**, Montreal (CA)
- (73) Assignee: **DENTAL WINGS INC.**, Montreal (CA)
- (\*\*) Term: **15 Years**
- (21) Appl. No.: **29/553,077**
- (22) Filed: **Jan. 28, 2016**
- (51) **LOC (11) Cl.** ..... **24-02**
- (52) **U.S. Cl.**  
USPC ..... **D24/176**
- (58) **Field of Classification Search**  
USPC ..... D24/176-179, 185-186, 158-161, 152, D24/150, 137, 147, 107  
CPC ... A61B 8/42; A61B 1/00096; A61B 1/00172; A61B 1/00174; A61B 1/24; A61B 1/247; A61B 5/0088; A61B 5/1079; A61B 1/00009; G03B 42/025; G03B 42/042  
See application file for complete search history.

D648,855 S *	11/2011	Smith	.....	D24/158
D657,470 S *	4/2012	Schon	.....	D24/186
8,167,805 B2 *	5/2012	Emery	.....	A61B 8/0833 600/437
D674,091 S	1/2013	Carlson	.....	
D771,817 S *	11/2016	Barak	.....	D24/176
2012/0056993 A1	3/2012	Luqman	.....	
2013/0183633 A1 *	7/2013	Dillon	.....	A61B 5/0088 433/31
2015/0250572 A1 *	9/2015	Gramann	.....	A61B 1/247 433/29
2017/0215698 A1 *	8/2017	Rynerson	.....	A61B 5/0088

\* cited by examiner

*Primary Examiner* — Wan Laymon  
(74) *Attorney, Agent, or Firm* — Hugh Mansfield

(57) **CLAIM**

The ornamental design for an “intra-oral scanner”, as shown and described.

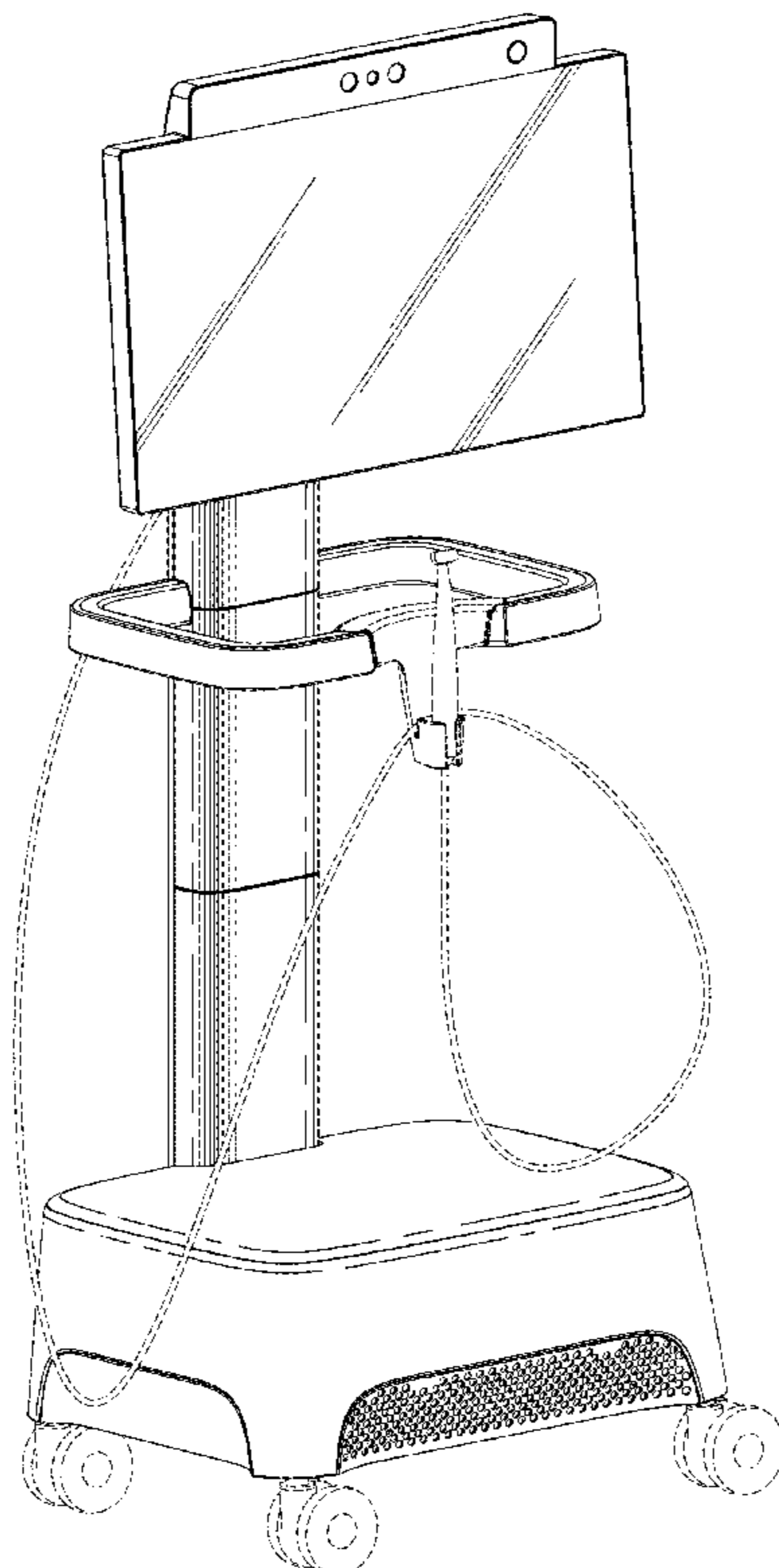
**DESCRIPTION**

FIG. 1 is a perspective view of an intra-oral scanner;  
 FIG. 2 is a front view thereof;  
 FIG. 3 is a back view thereof;  
 FIG. 4 is a right side view thereof;  
 FIG. 5 is a left side view thereof;  
 FIG. 6 is a top plan view thereof; and,  
 FIG. 7 is a bottom view thereof.

The broken line showing of portions of the “intra-oral scanner” is included for the purpose of illustrating environmental structure and forms no part of the claimed design.

**1 Claim, 6 Drawing Sheets**

- (56) **References Cited**  
U.S. PATENT DOCUMENTS
- |             |         |         |
|-------------|---------|---------|
| 5,908,294 A | 6/1999  | Schick  |
| D530,013 S  | 10/2006 | Fischer |
| D533,946 S  | 12/2006 | Lintner |



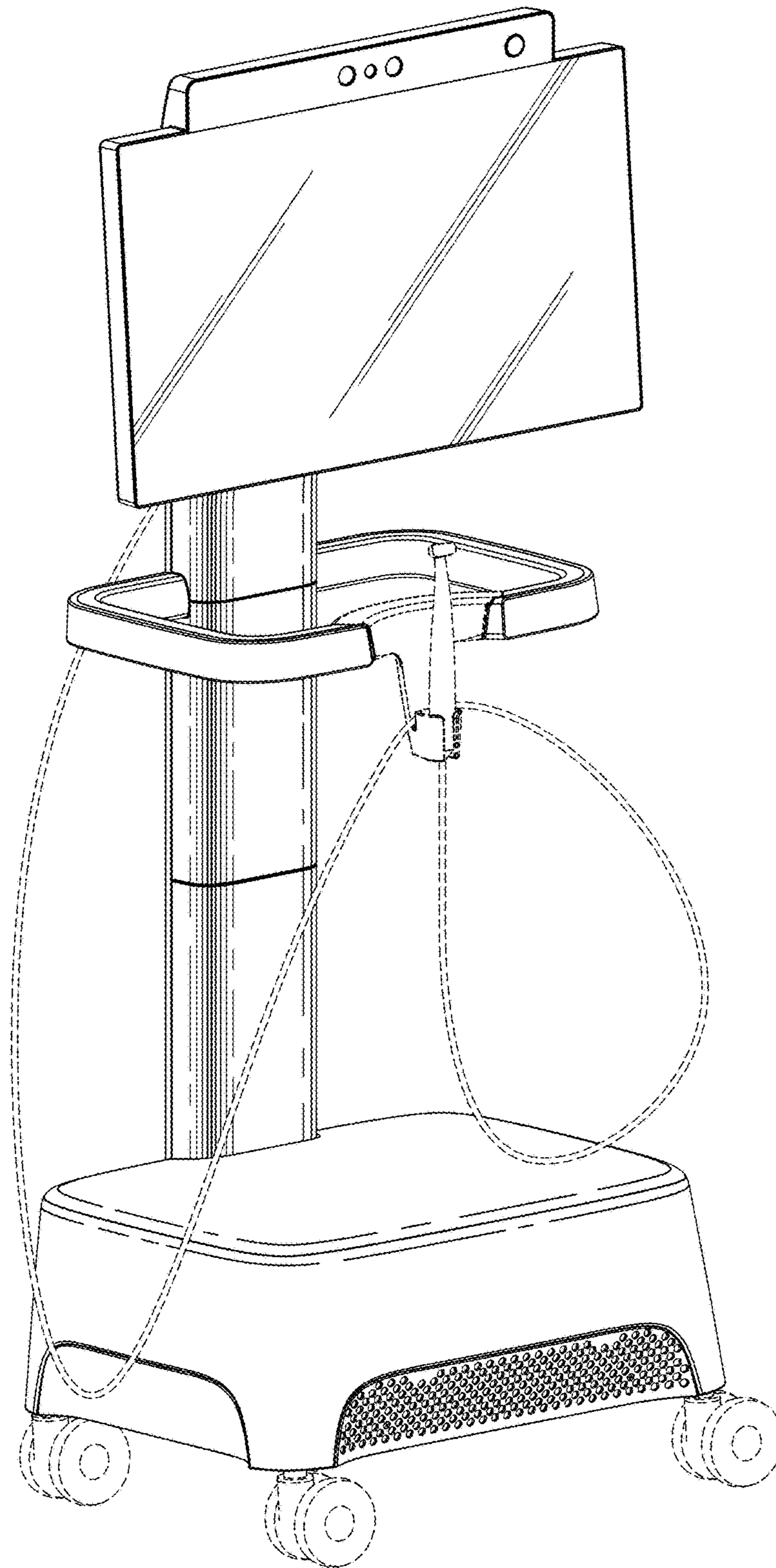


FIG. 1

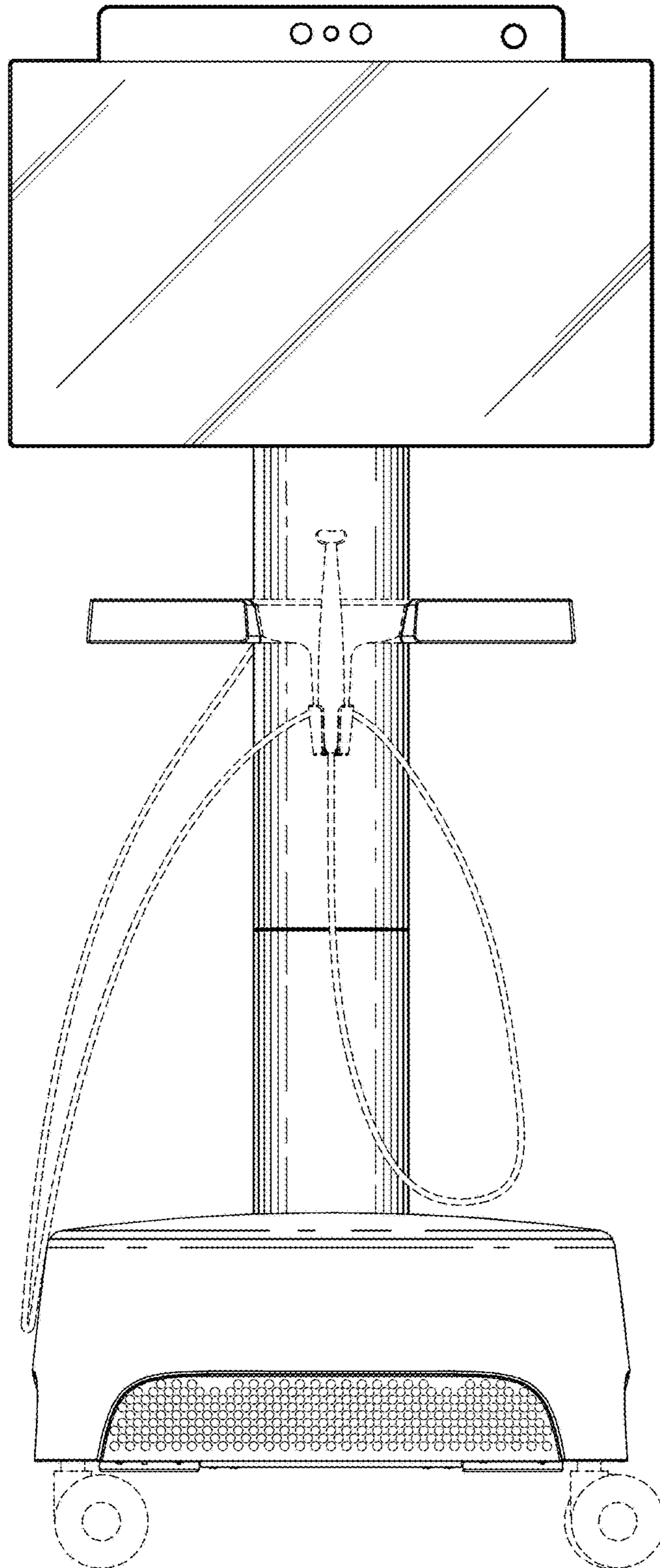


FIG. 2

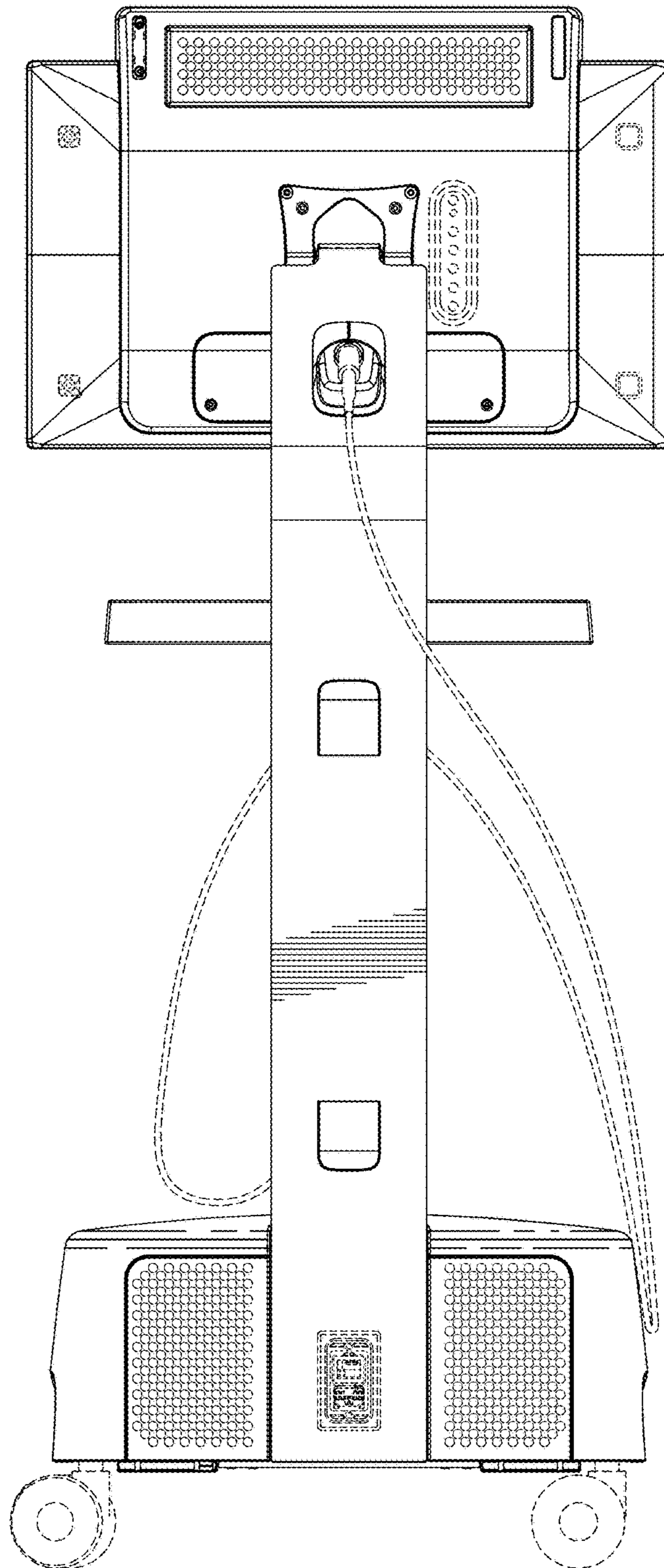


FIG. 3

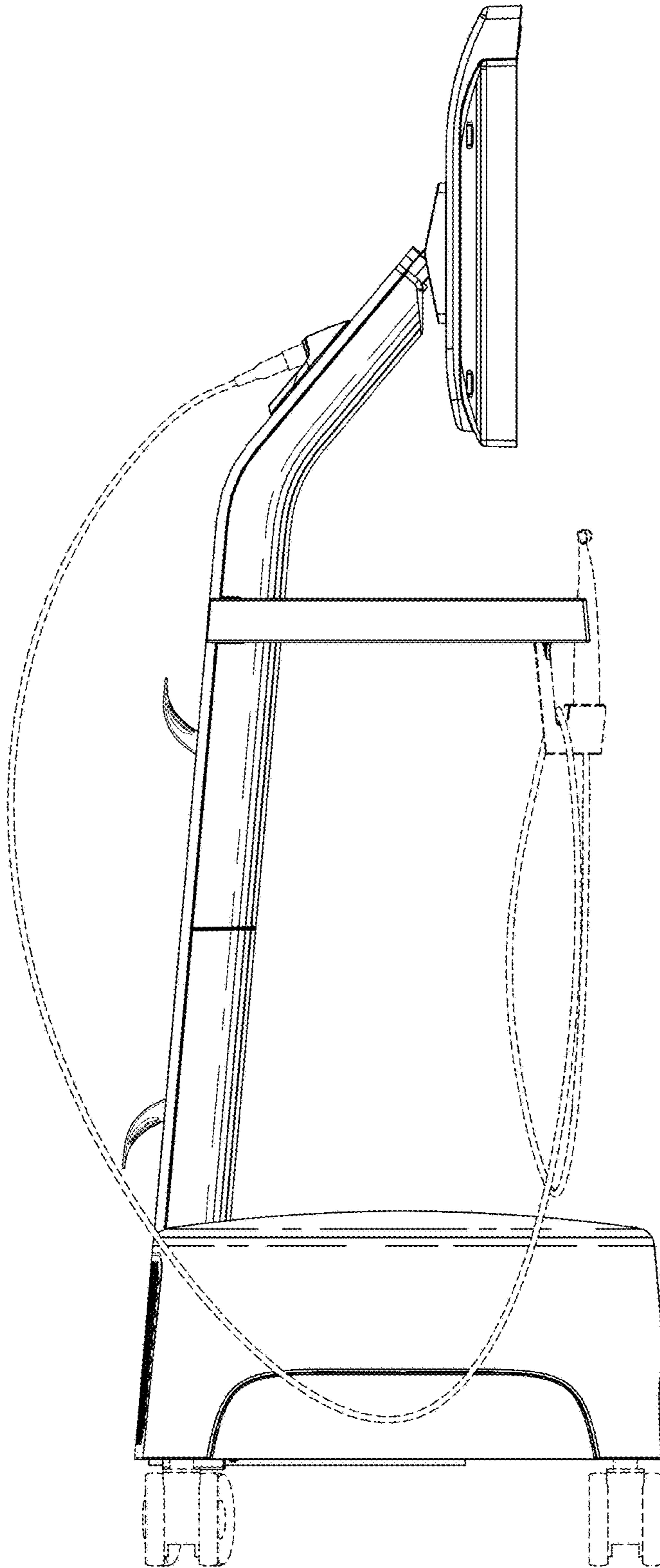


Fig-4

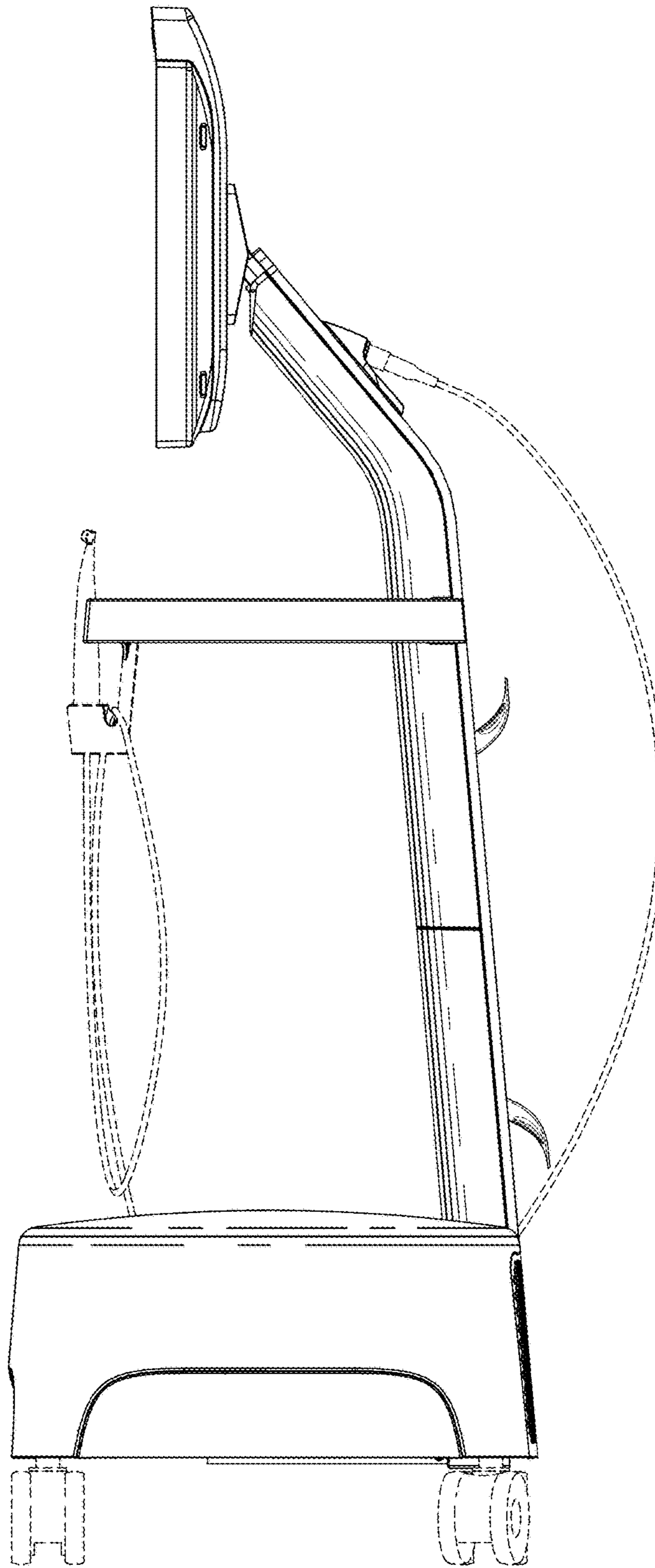


Fig. 5

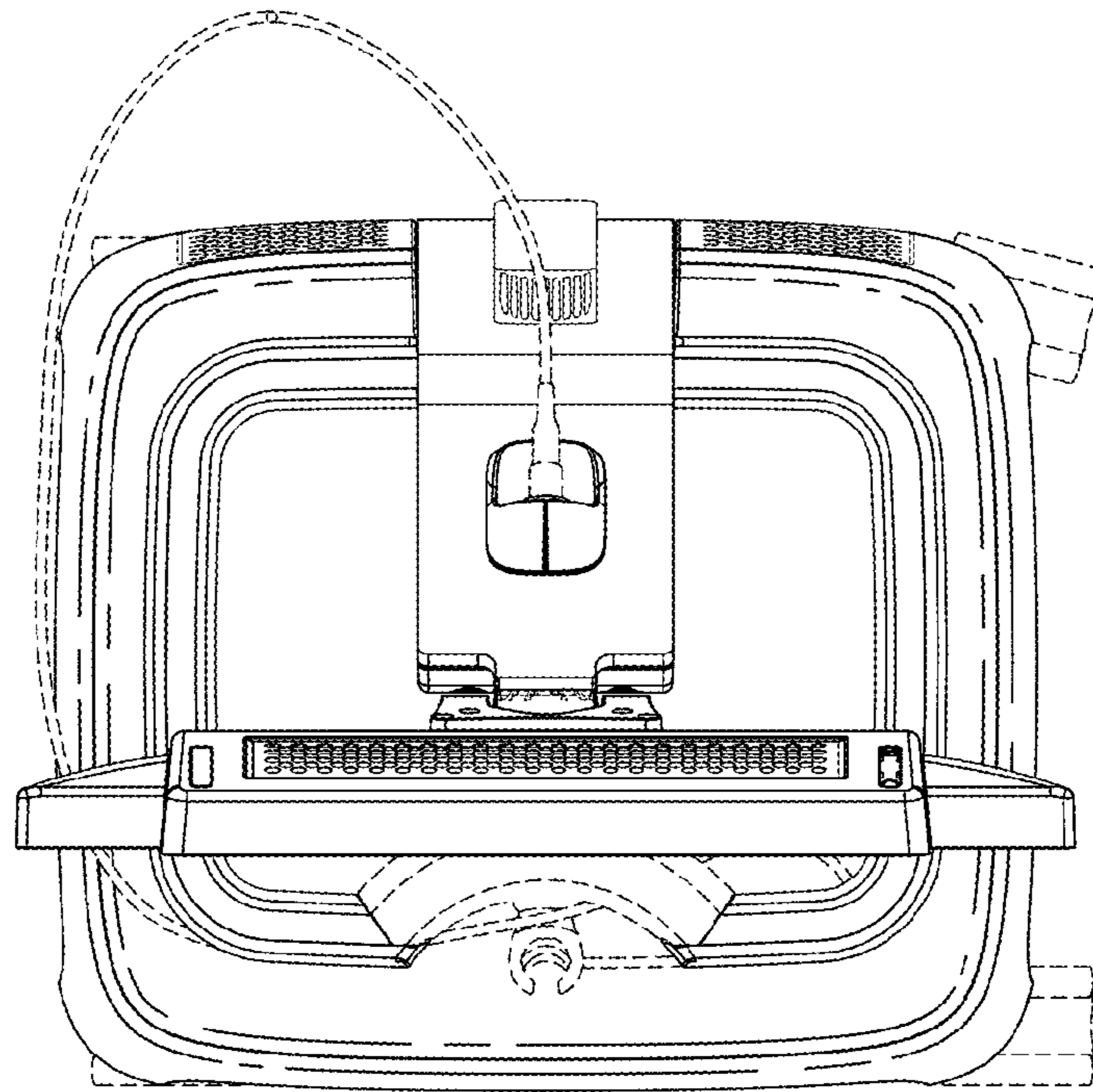


Fig-6

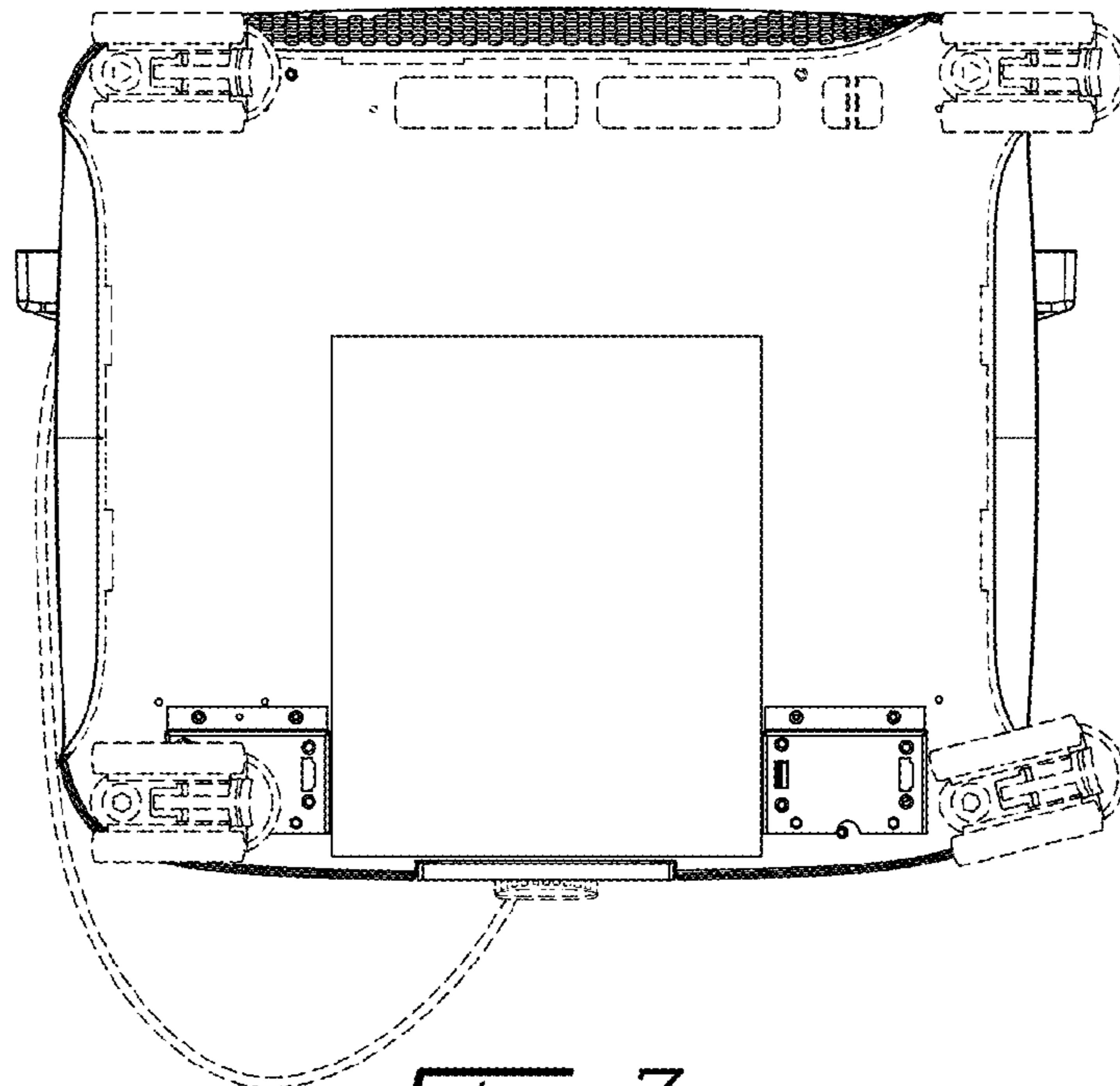


Fig-7