



US00D815743S

(12) **United States Design Patent**  
**Liao et al.**

(10) **Patent No.:** **US D815,743 S**  
(45) **Date of Patent:** **\*\* Apr. 17, 2018**

(54) **SMART BLOOD PRESSURE MONITOR**

(71) Applicant: **Shenzhen Tomtop Technology Co., Ltd.**, Shenzhen, Guangdong (CN)

(72) Inventors: **Xin Hui Liao**, Guangdong (CN); **Liu Gui Chen**, Guangdong (CN)

(73) Assignee: **Shenzhen Tomtop Technology Co., Ltd.**, Shenzhen (CN)

(\*\*) Term: **15 Years**

(21) Appl. No.: **29/608,457**

(22) Filed: **Jun. 22, 2017**

(51) **LOC (11) Cl.** ..... **24-02**

(52) **U.S. Cl.**  
USPC ..... **D24/165**

(58) **Field of Classification Search**  
USPC ..... D24/164–168, 186, 107; D10/75, 70, 78  
CPC ..... A61B 5/0402; A61B 5/0404; A61B 5/021;  
A61B 5/024; A61B 5/02438; A61B  
5/681; A61B 2560/0205; A61B  
2560/0462

See application file for complete search history.

(56) **References Cited**

**U.S. PATENT DOCUMENTS**

D324,570 S \* 3/1992 Arioka ..... D24/165  
D398,999 S \* 9/1998 Maeda ..... D24/165

D547,454 S \* 7/2007 Hsieh ..... D24/186  
D582,043 S \* 12/2008 Koike ..... D24/165  
D719,658 S \* 12/2014 McDougall ..... D24/165  
D741,497 S \* 10/2015 Aber ..... D24/167  
D745,167 S \* 12/2015 Canas ..... D24/167  
D763,451 S \* 8/2016 Kaario ..... D24/186  
D782,683 S \* 3/2017 Singh ..... D24/167  
D786,106 S \* 5/2017 Yau ..... D10/70

\* cited by examiner

*Primary Examiner* — Anhdao Doan

(74) *Attorney, Agent, or Firm* — Chieh-Mei Wang

(57) **CLAIM**

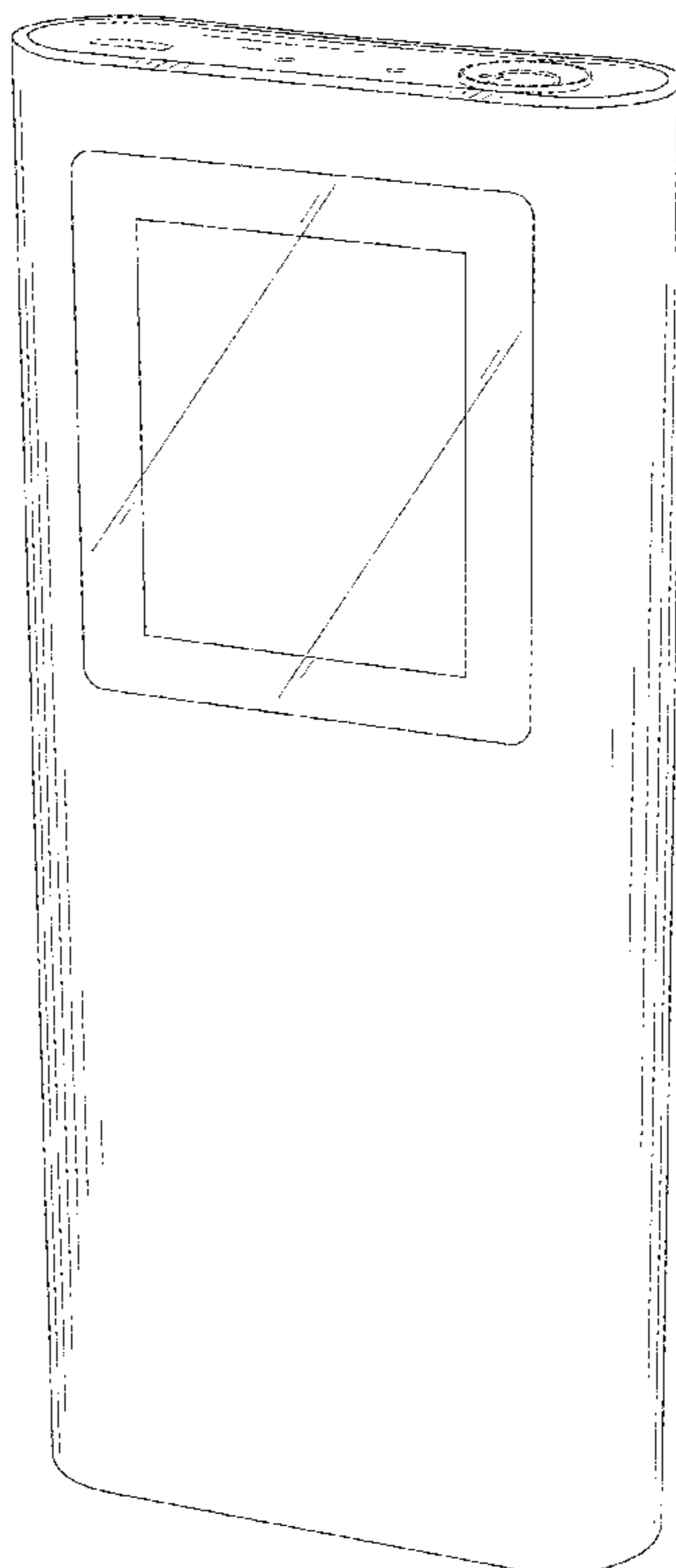
We claim the ornamental design for a smart blood pressure monitor, as shown and described.

**DESCRIPTION**

FIG. 1 is a perspective view of a smart blood pressure monitor, showing our new design; FIG. 2 is a front view thereof; FIG. 3 is a rear view thereof; FIG. 4 is a left side view thereof; FIG. 5 is a right side view thereof; FIG. 6 is a top view thereof; and, FIG. 7 is a bottom view thereof.

The broken lines immediately adjacent the shaded areas represent the bounds of the claim, while all other broken lines are directed to environment and are for illustrative purposes only; the broken lines form no part of the claimed design.

**1 Claim, 7 Drawing Sheets**



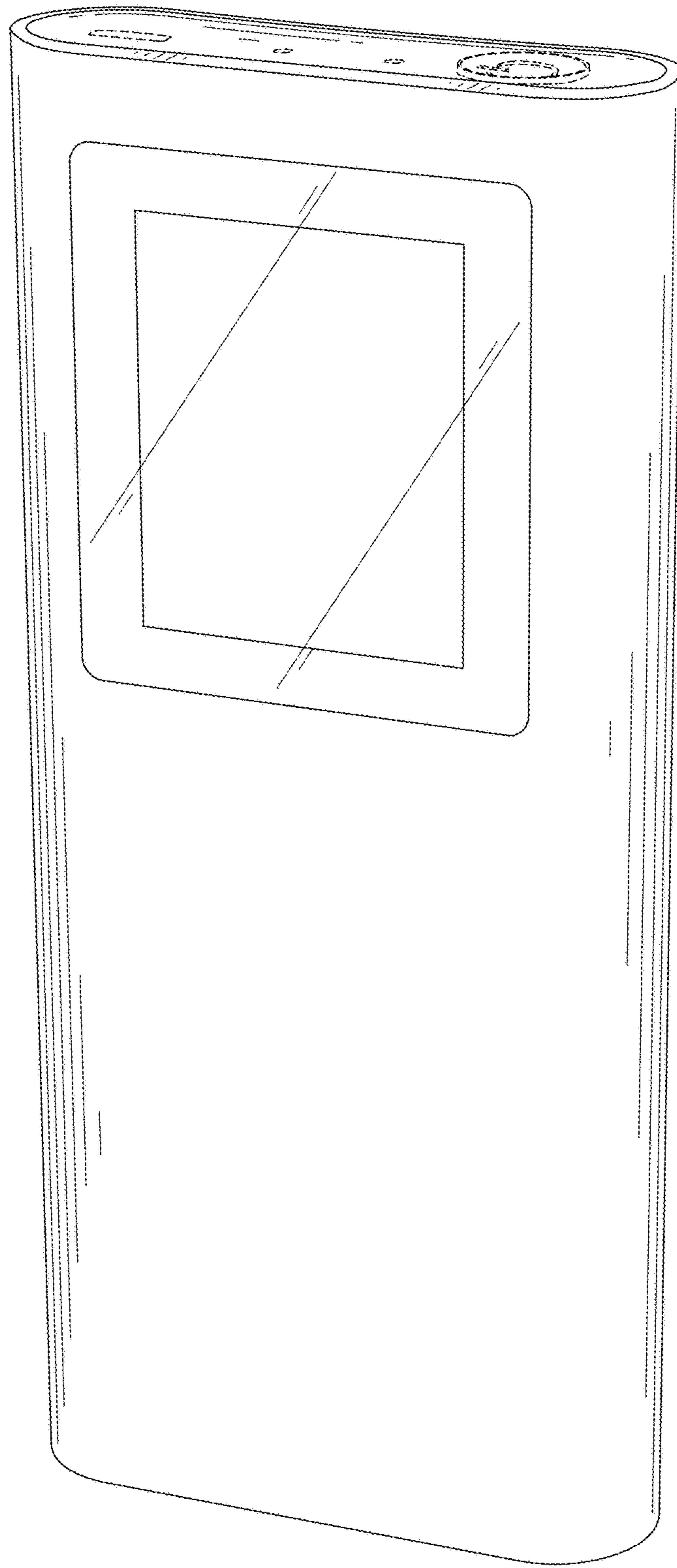


FIG. 1

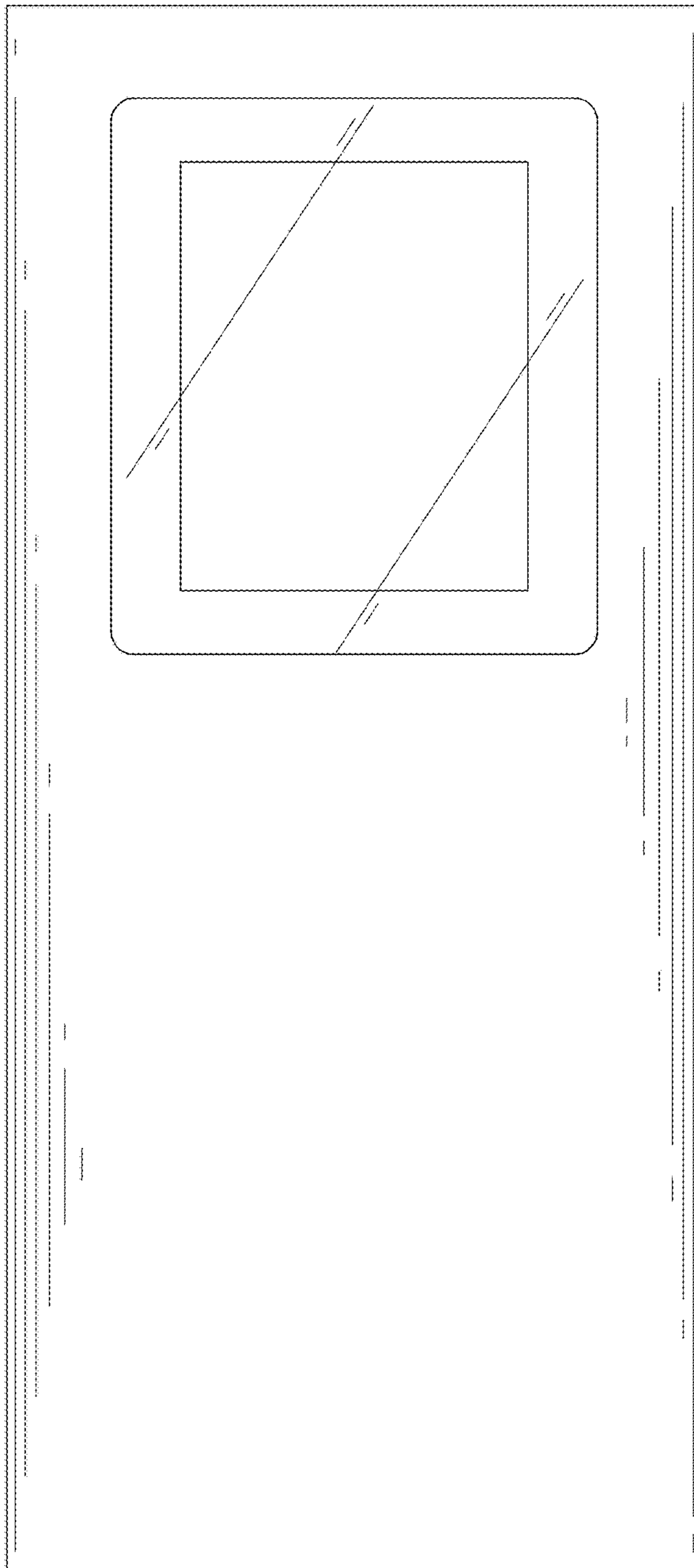


FIG. 2

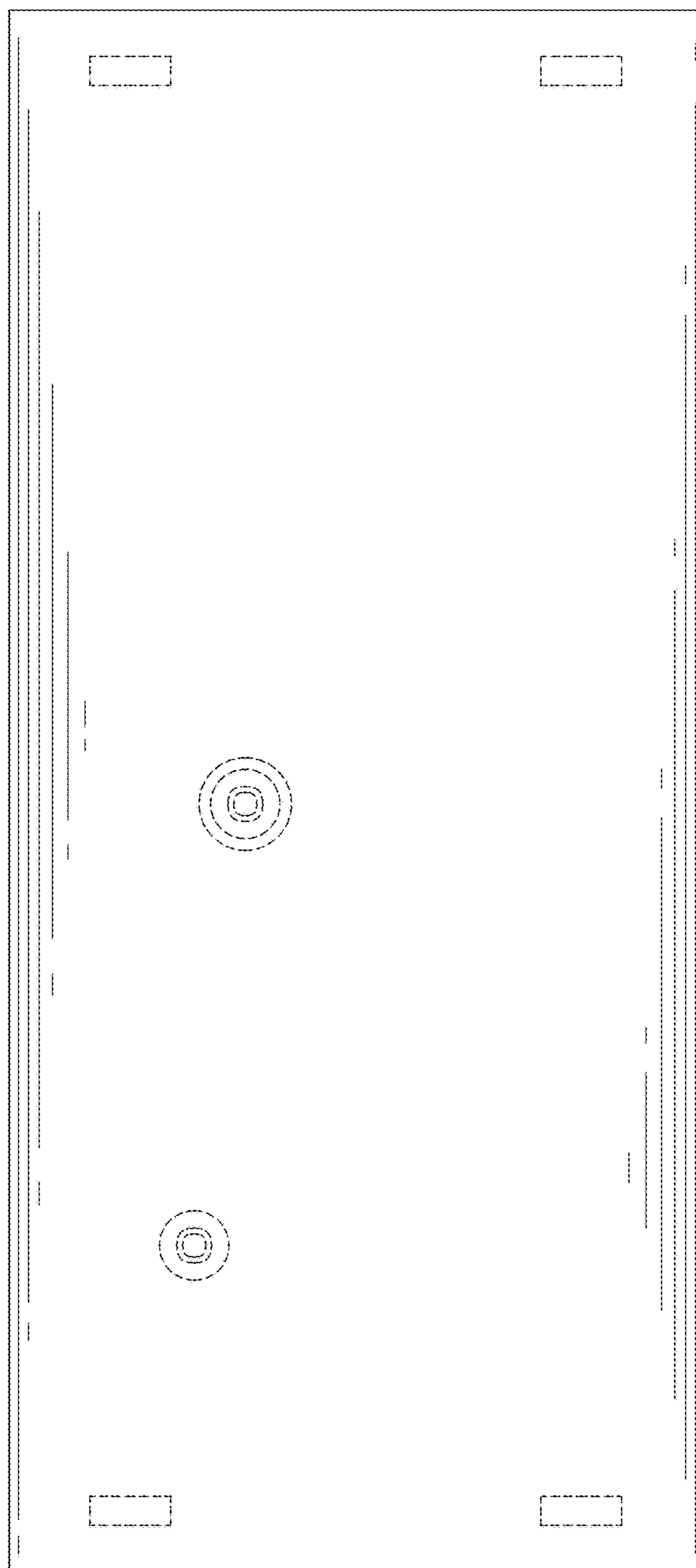


FIG. 3

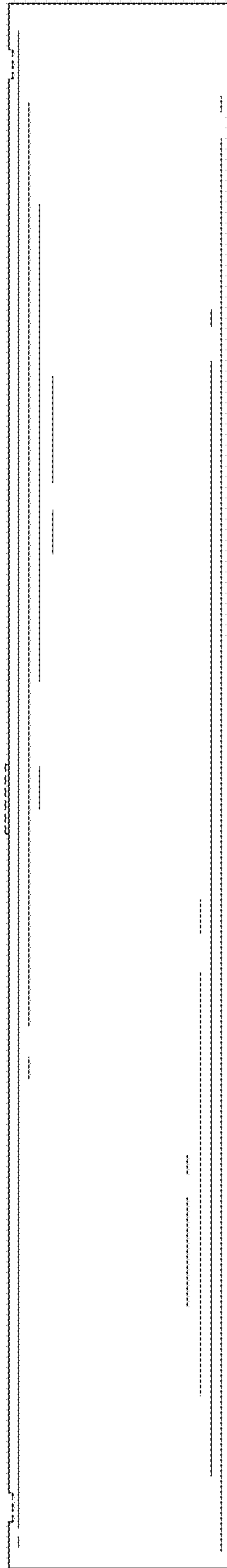


FIG. 4

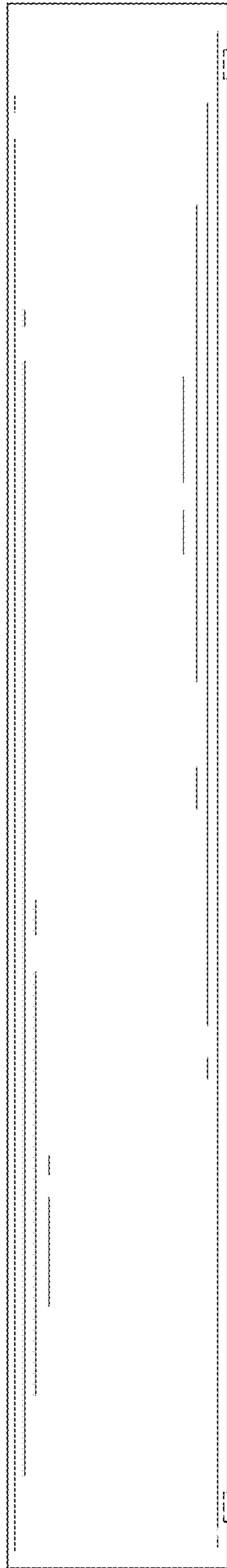


FIG. 5

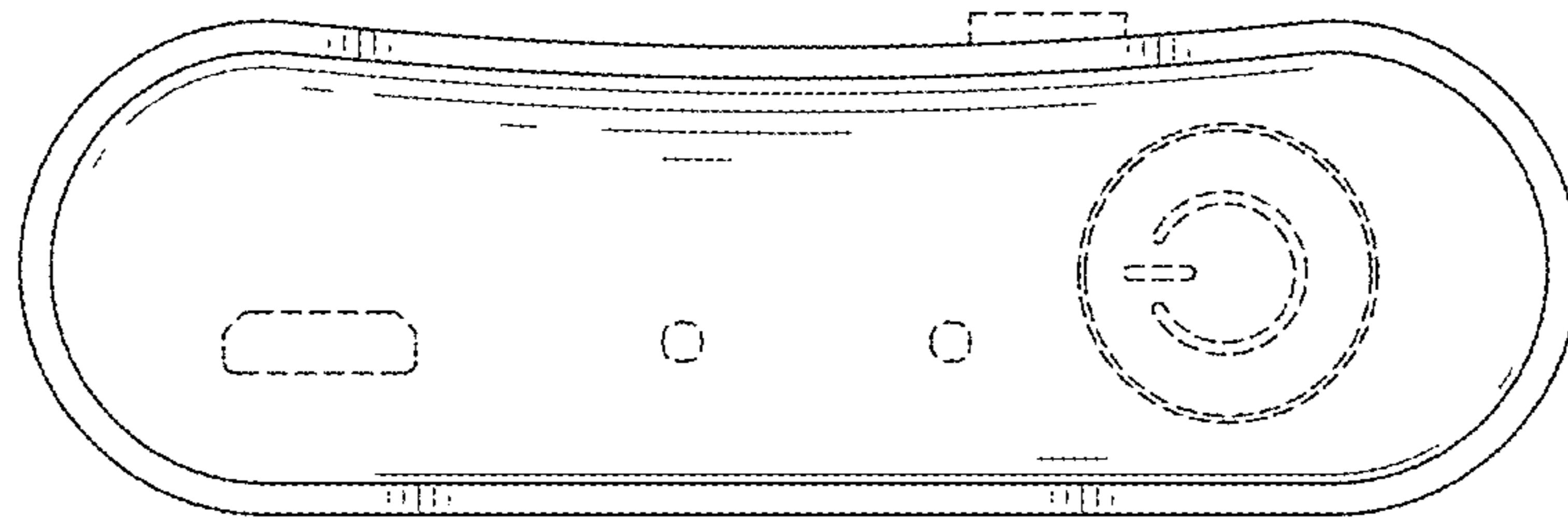


FIG. 6

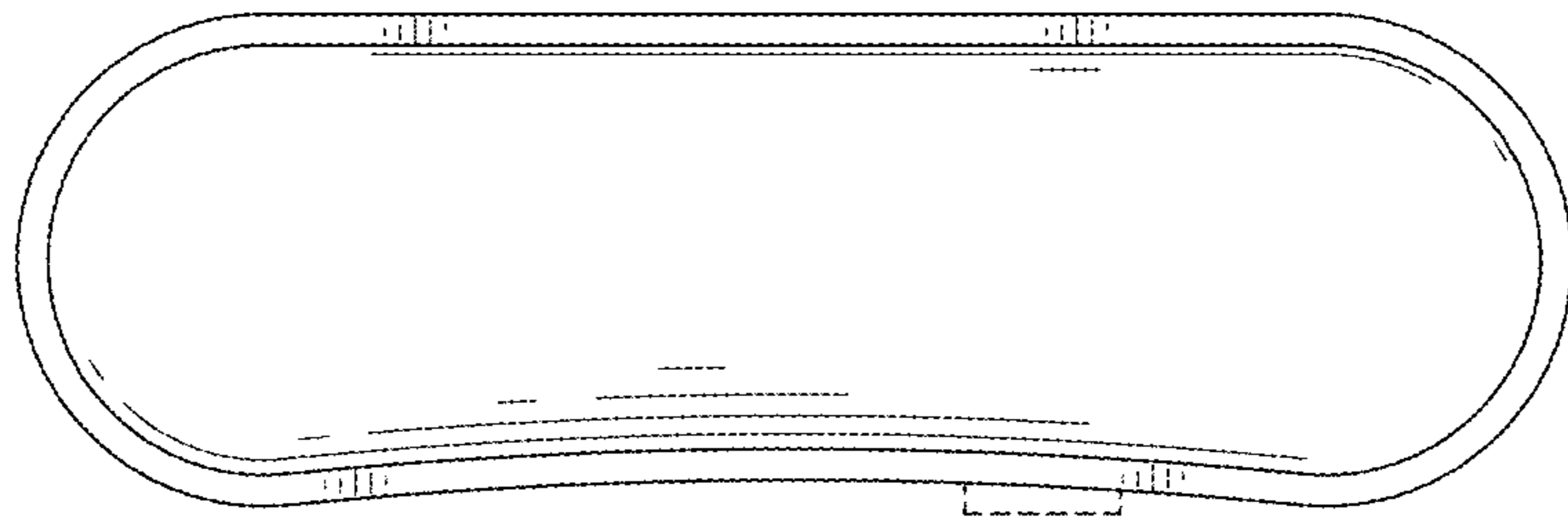


FIG. 7