



US00D815740S

(12) **United States Design Patent** (10) **Patent No.:** **US D815,740 S**
Strand et al. (45) **Date of Patent:** **** Apr. 17, 2018**

(54) **COOLING DEVICE FOR PREVENTION OF ORAL MUCOSITIS**

(71) Applicant: **BRAINCOOL AB**, Lund (SE)

(72) Inventors: **Christian Strand**, Staffanstorp (SE);
Jon Berg, Dalby (SE); **Jacob Elander**,
Malmö (SE); **Mats Jontell**, Borås (SE)

(**) Term: **15 Years**

(21) Appl. No.: **35/502,148**

(22) Filed: **Nov. 24, 2016**

(80) **Hague Agreement Data**

Int. Filing Date: **Nov. 24, 2016**

Int. Reg. No.: **DM/093813**

Int. Reg. Date: **Nov. 24, 2016**

Int. Reg. Pub. Date: **Dec. 23, 2016**

(51) **LOC (11) Cl.** **24-02**

(52) **U.S. Cl.**

USPC **D24/152**

(58) **Field of Classification Search**

USPC D24/180, 181, 110.5, 152, 108, 176, 136

CPC .. A61F 7/12; A61F 2007/0054; A61F 7/0085;

A61F 2007/0056; A61F 7/10; A61F

2007/0063; A61F 2007/0093; A61F

2007/0002; A61M 19/00; A61M 5/44

See application file for complete search history.

(56) **References Cited**

U.S. PATENT DOCUMENTS

2,882,893 A * 4/1959 Godfroy A61B 1/24
128/861

5,409,017 A * 4/1995 Lowe A61C 7/10
128/848

5,868,138 A * 2/1999 Halstrom A61F 5/566
128/848
D526,093 S * 8/2006 Manzo D29/108
D528,655 S * 9/2006 Clawson D24/110
D621,942 S * 8/2010 Massad D24/181
D626,292 S * 10/2010 Farrell D29/108
D652,575 S * 1/2012 Farrell D29/108
D652,576 S * 1/2012 Farrell D29/108
D661,806 S * 6/2012 Khawaled D24/152
D734,556 S * 7/2015 Brett D24/181
D765,919 S * 9/2016 Croll D29/108
2017/0231815 A1* 8/2017 Berg A61F 7/12
607/105

OTHER PUBLICATIONS

U.S. Appl. No. 35/500,475, BrainCool AB.

* cited by examiner

Primary Examiner — Barbara Fox

Assistant Examiner — Eliza Bennett-Hattan

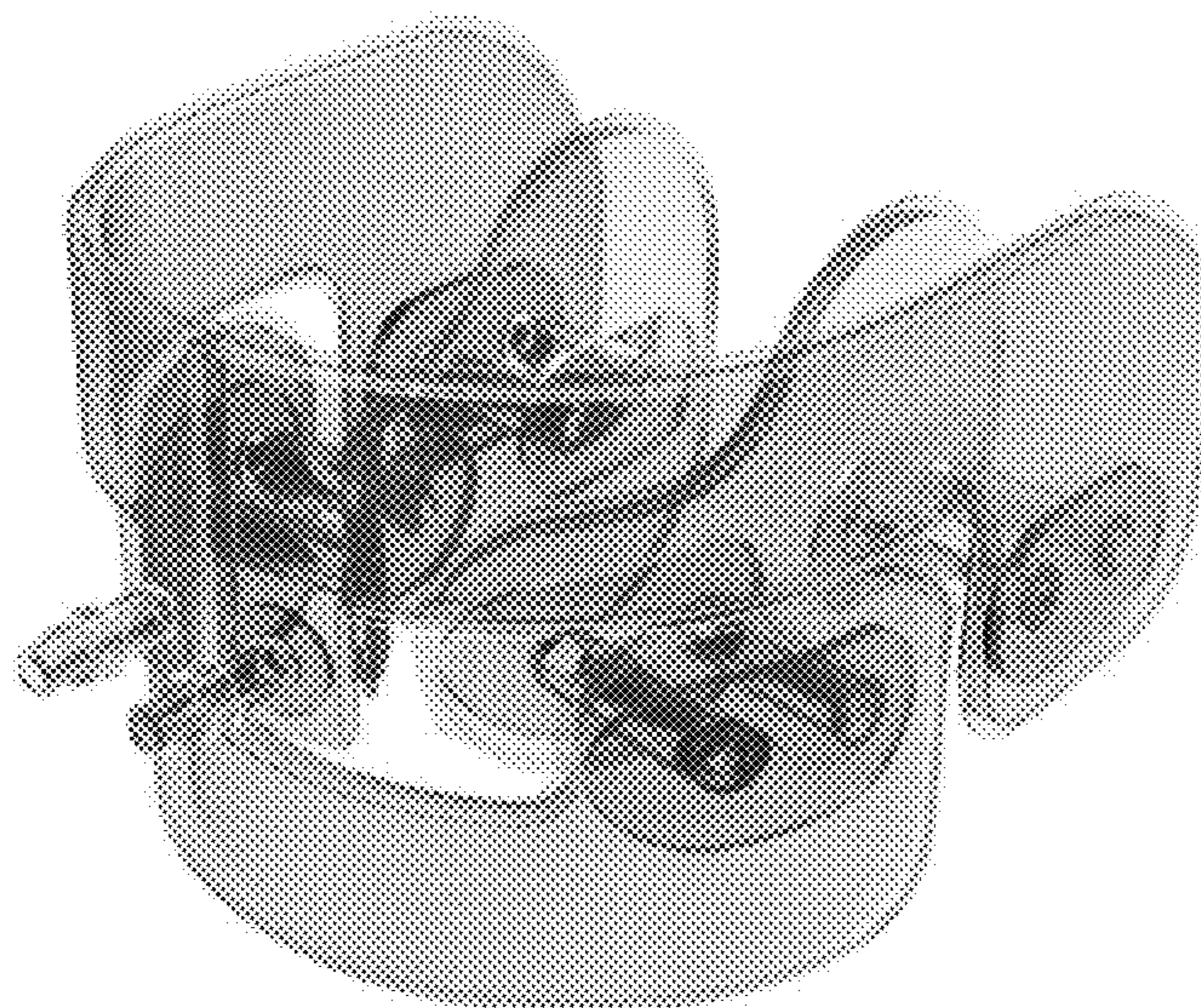
(57) **CLAIM**

The ornamental design for a cooling device for prevention of oral mucositis, as shown and described.

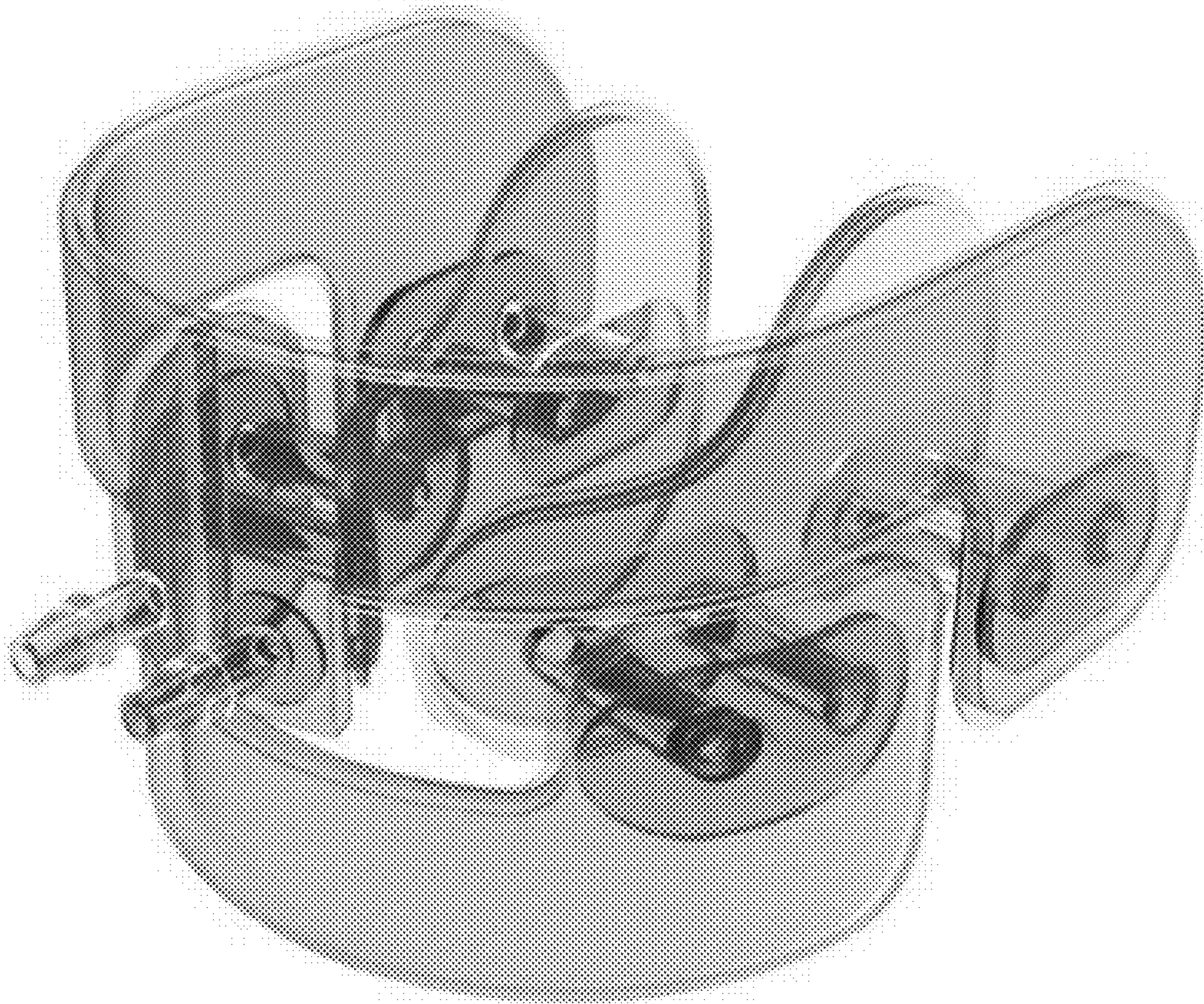
DESCRIPTION

- 1. Cooling device for prevention of oral mucositis
- 1.1 is a front right perspective view of a cooling device for prevention of oral mucositis showing the new design;
- 1.2 is a front view thereof;
- 1.3 is a back view thereof;
- 1.4 is a top view thereof;
- 1.5 is a bottom view thereof;
- 1.6 is a left side view thereof; and
- 1.7. is a right side view thereof.

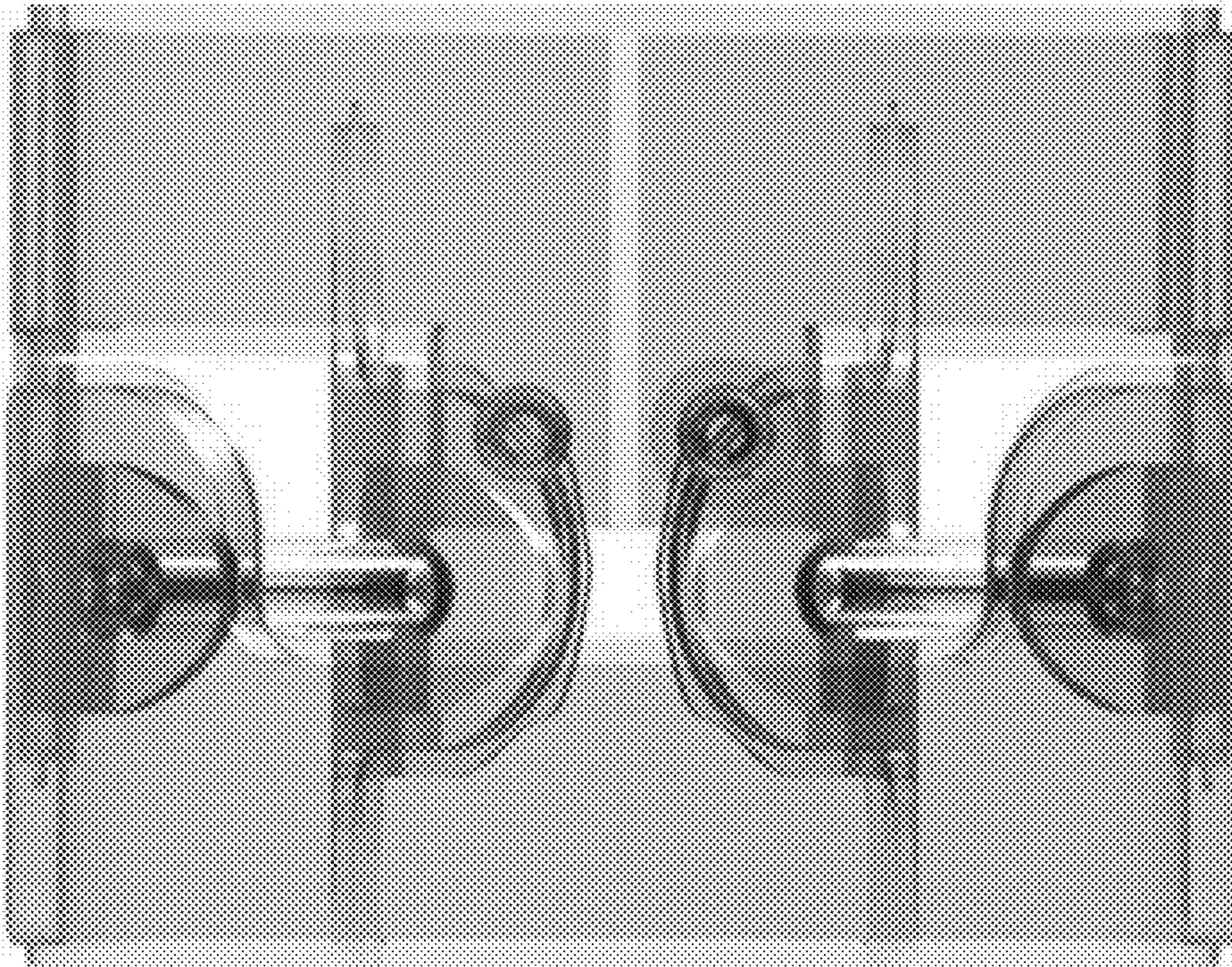
1 Claim, 7 Drawing Sheets



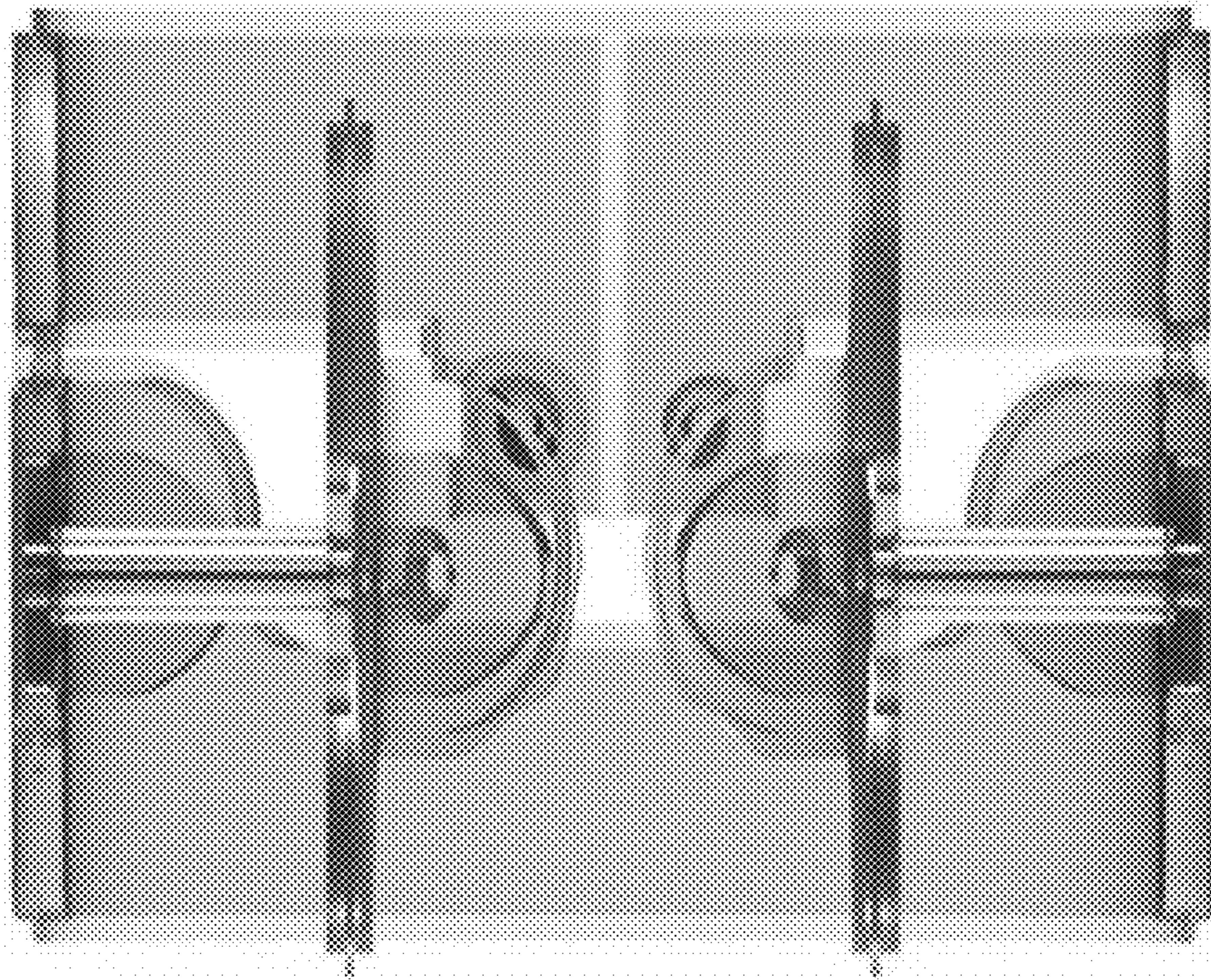
1.1



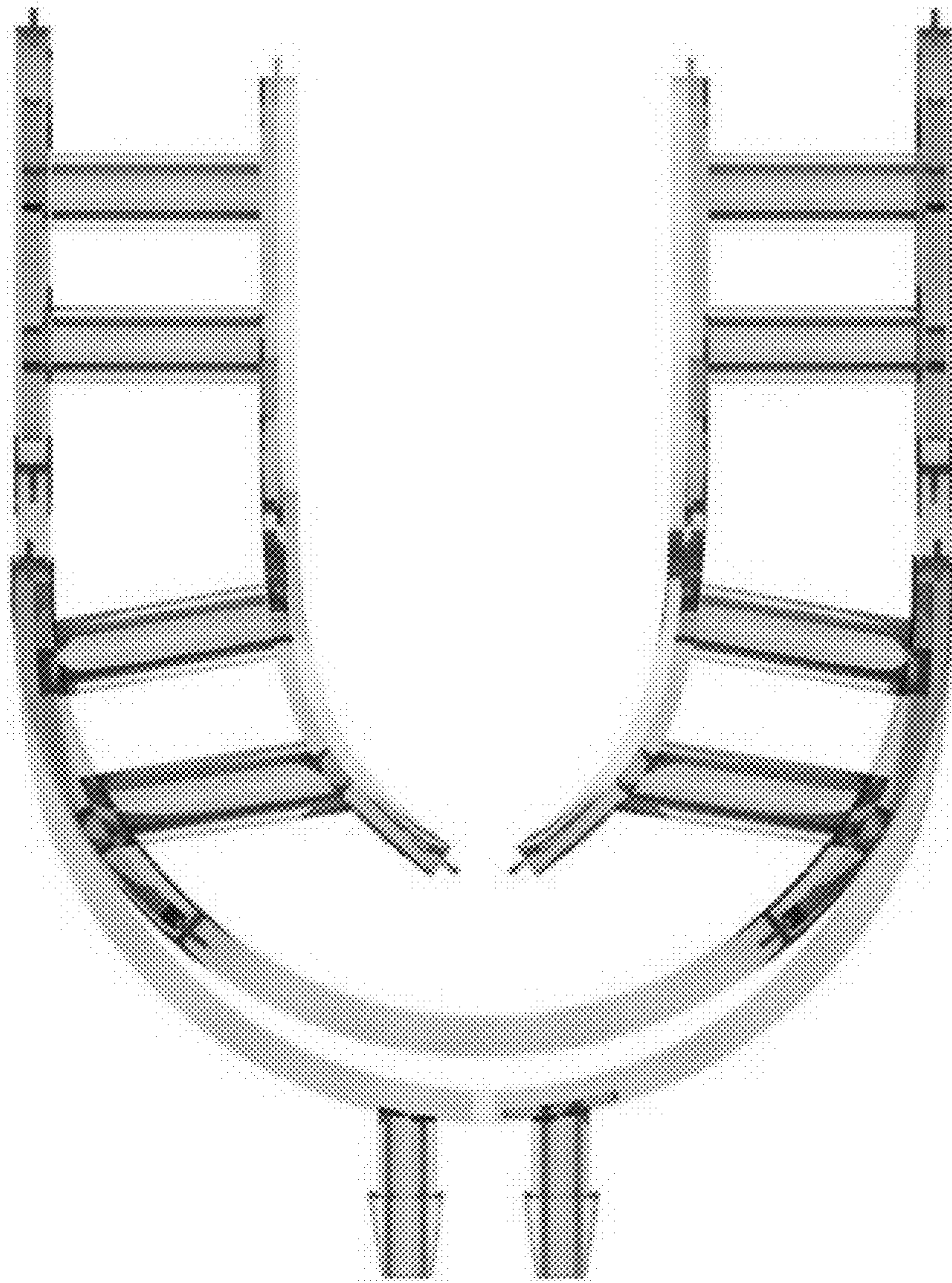
1.2



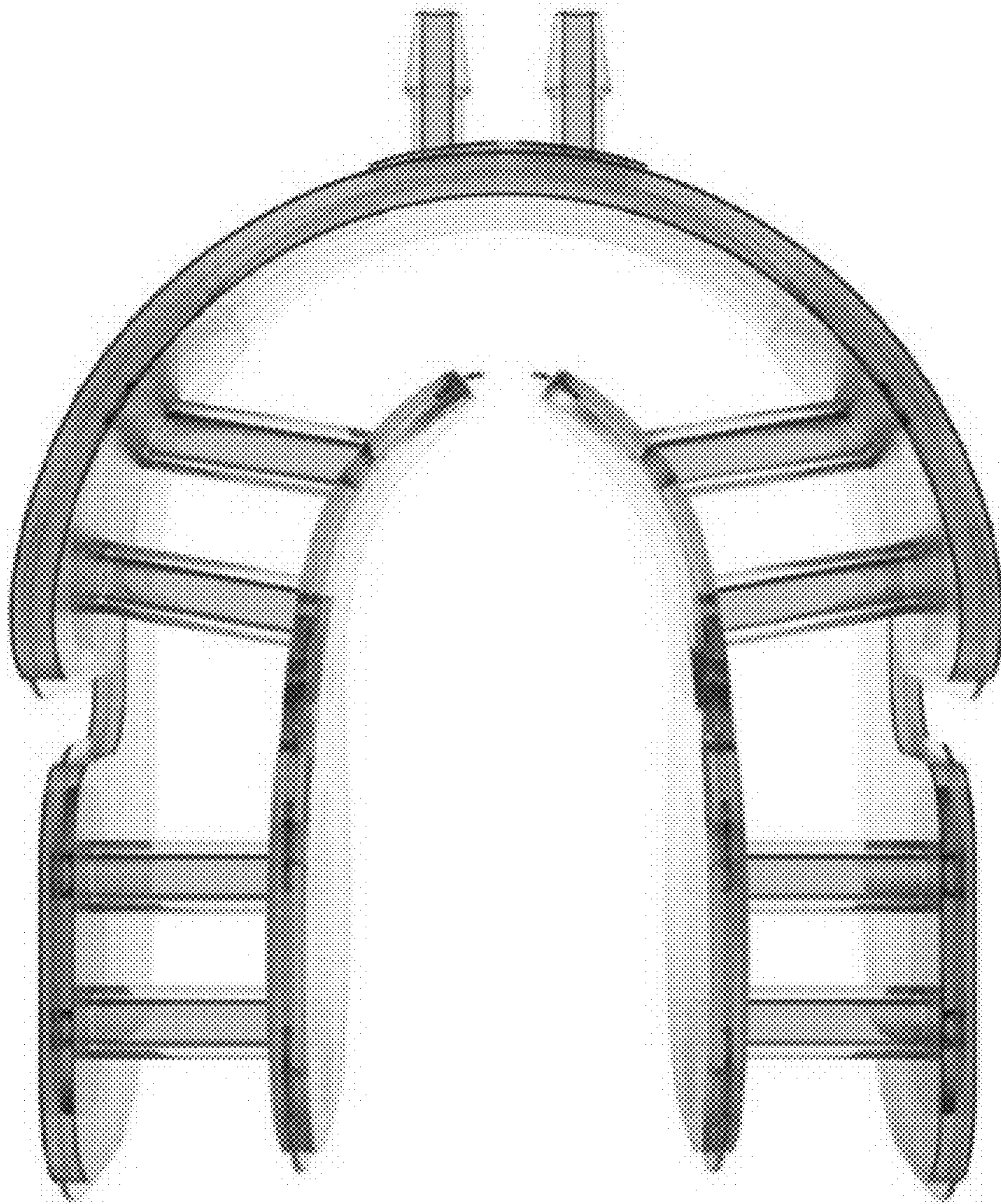
1.3



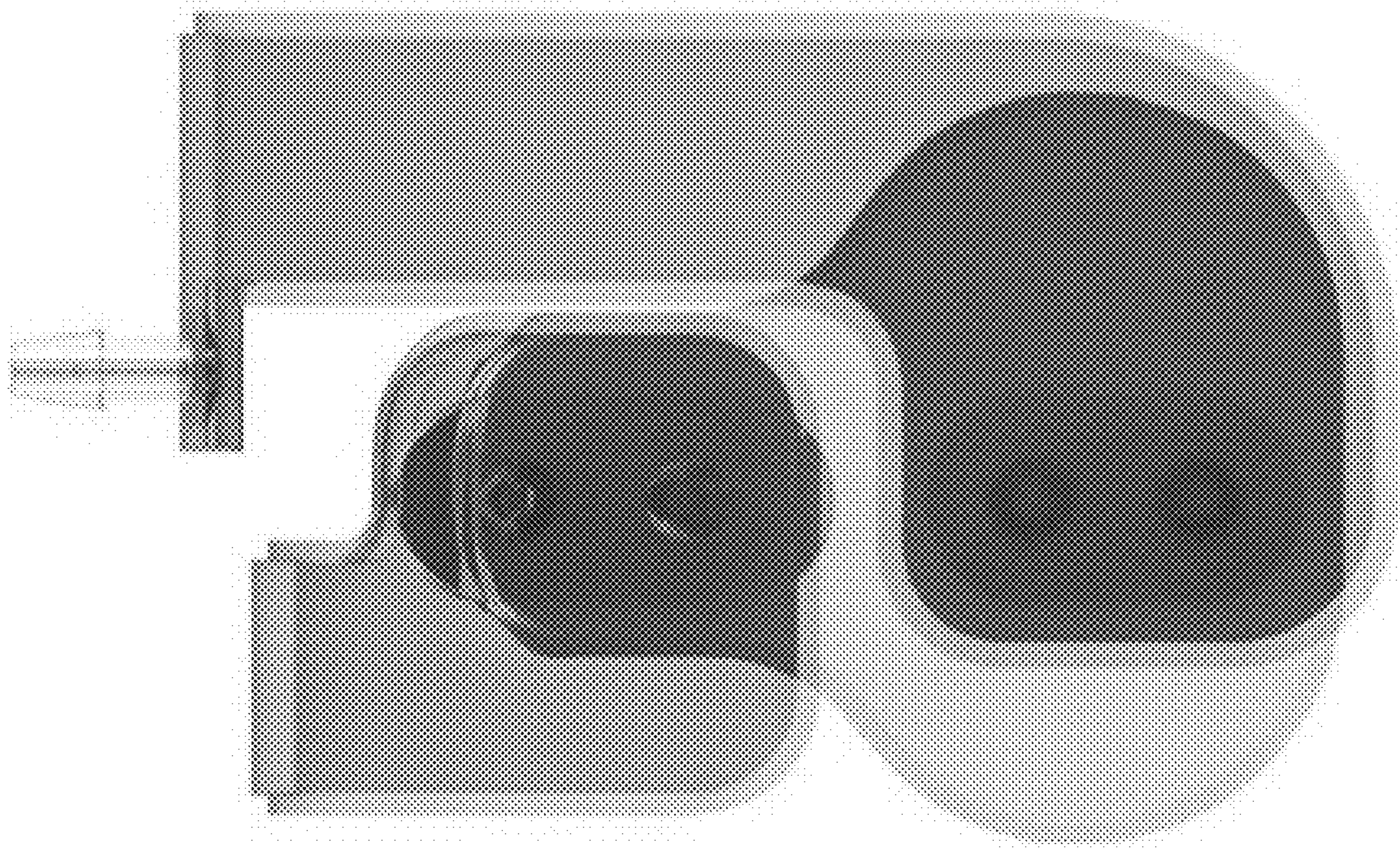
1.4



1.5



1.6



1.7

