



US00D815738S

(12) **United States Design Patent**
Ye et al.

(10) **Patent No.:** **US D815,738 S**
(45) **Date of Patent:** **** Apr. 17, 2018**

- (54) **ELECTROSURGICAL PENCIL**
- (71) Applicants: **Zhejiang Shuyou Surgical Instrument Co., Ltd.**, Huzhou, Zhejiang (CN); **5 STAR MEDICAL CORPORATION**, Seneca Falls, NY (US)
- (72) Inventors: **Jingqi Ye**, Zhejiang (CN); **Youjun Wang**, Zhejiang (CN); **Zuokai Yin**, Zhejiang (CN); **Chaohui Tang**, Zhejiang (CN); **Chengfa Liu**, Zhejiang (CN); **Yin Su**, Zhejiang (CN)
- (73) Assignees: **ZHEJIANG SHUYOU SURGICAL INSTRUMENT CO., LTD.**, Anji Economic Development Zone, Health (Medicine) Industrial Park, Huzhou, Zhejiang (CN); **5 STAR MEDICAL CORPORATION**, Seneca Falls, NY (US)

5,376,089	A *	12/1994	Smith	A61B 18/1402	200/505
5,484,434	A *	1/1996	Cartmell	A61B 18/1402	606/37
6,402,748	B1 *	6/2002	Schoenman	A61B 18/1402	606/45
D490,152	S *	5/2004	Myall	D24/144	
8,128,622	B2 *	3/2012	Podhajsky	A61B 18/1402	606/41
8,211,103	B2 *	7/2012	Greep	A61B 18/1477	606/42
2016/0081679	A1 *	3/2016	Stoddard	A61B 18/1402	156/73.1
2016/0081742	A1 *	3/2016	Stoddard	A61B 18/1402	606/42

* cited by examiner

Primary Examiner — Wan Laymon
(74) *Attorney, Agent, or Firm* — Global IP Services;
Tianhua Gu

- (**) Term: **15 Years**
- (21) Appl. No.: **29/570,019**
- (22) Filed: **Jul. 1, 2016**

(30) **Foreign Application Priority Data**

Mar. 25, 2016 (CN) 2016 3 0091419

- (51) **LOC (11) Cl.** **24-02**
- (52) **U.S. Cl.**
USPC **D24/144**
- (58) **Field of Classification Search**
USPC D24/144, 146–147, 133
CPC . A61B 18/1402; A61B 18/14; A61B 18/1477;
A61B 2018/00708
See application file for complete search history.

(56) **References Cited**

U.S. PATENT DOCUMENTS

D249,549	S *	9/1978	Pike	D24/144	
5,000,754	A *	3/1991	DeOliveira	A61B 18/1402	606/42

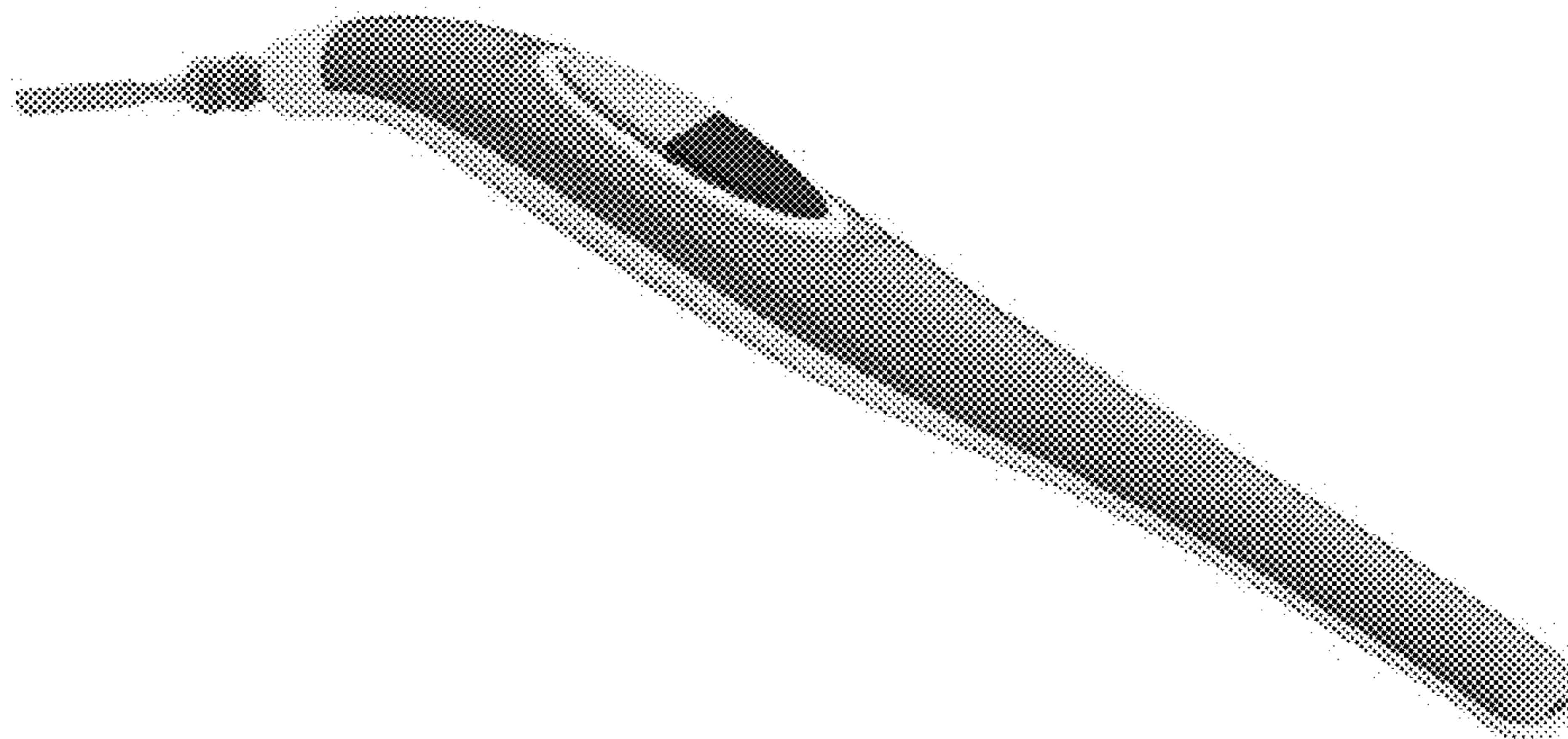
(57) **CLAIM**

The ornamental design for an electrosurgical pencil, as shown and described.

DESCRIPTION

FIG. 1 is a front elevational view of an electrosurgical pencil showing our new design;
FIG. 2 is a rear elevational view thereof;
FIG. 3 is a top plan view thereof;
FIG. 4 is a bottom plan view thereof;
FIG. 5 is an enlarged left side elevational view thereof;
FIG. 6 is an enlarged right side elevational view thereof;
FIG. 7 is a right perspective view thereof;
FIG. 8 is a left perspective view thereof;
FIG. 9 is an enlarged partial view of the FIG. 3;
FIG. 10 is an enlarged partial view of the FIG. 7; and,
FIG. 11 is an enlarged partial view of the FIG. 8.

1 Claim, 8 Drawing Sheets



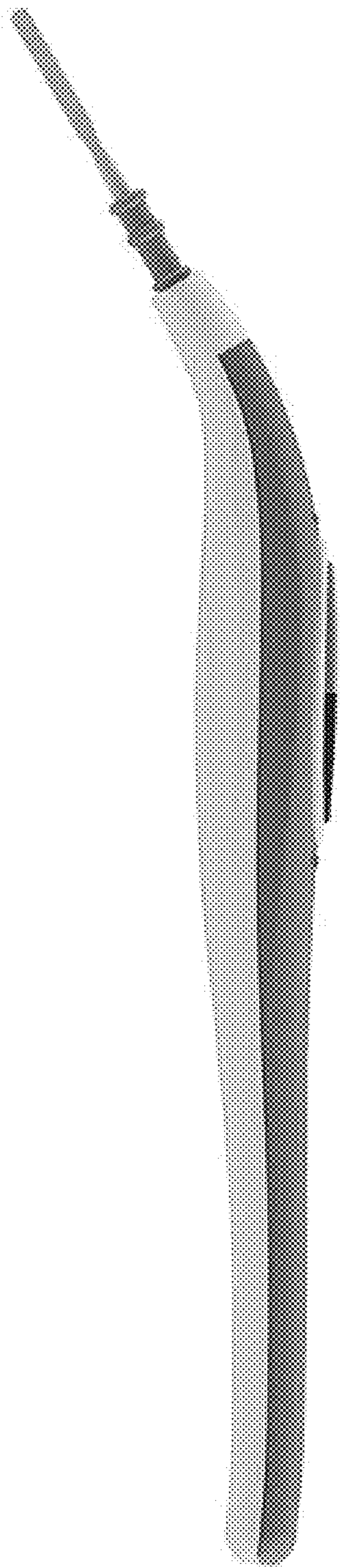


FIG. 1

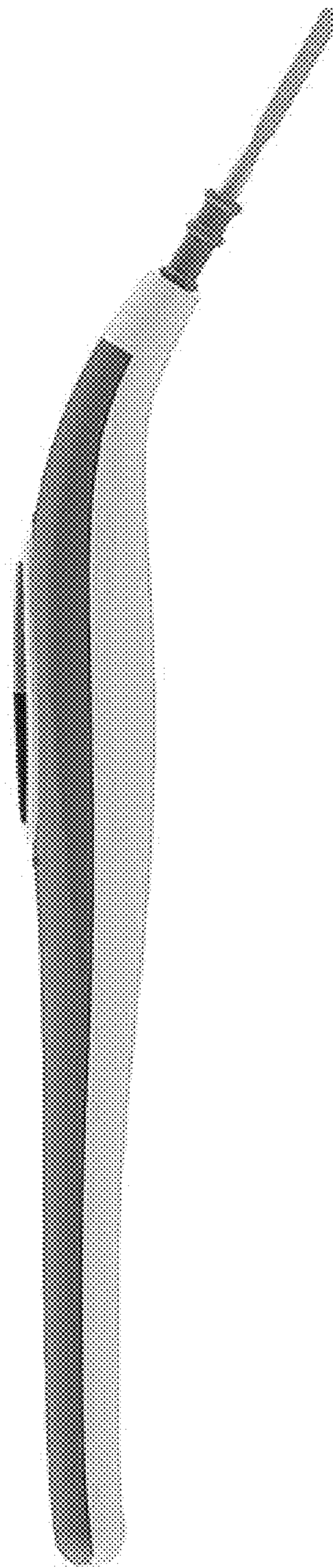


FIG. 2

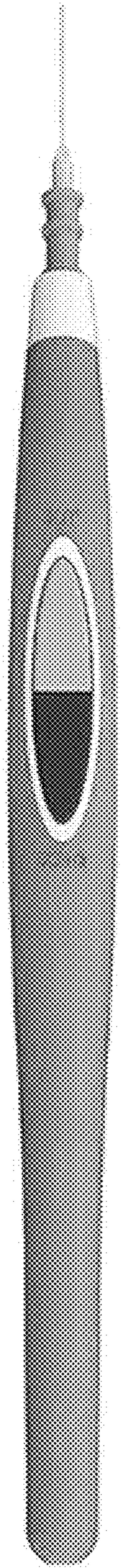


FIG. 3

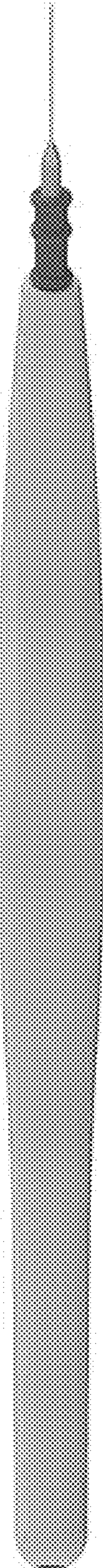


FIG. 4

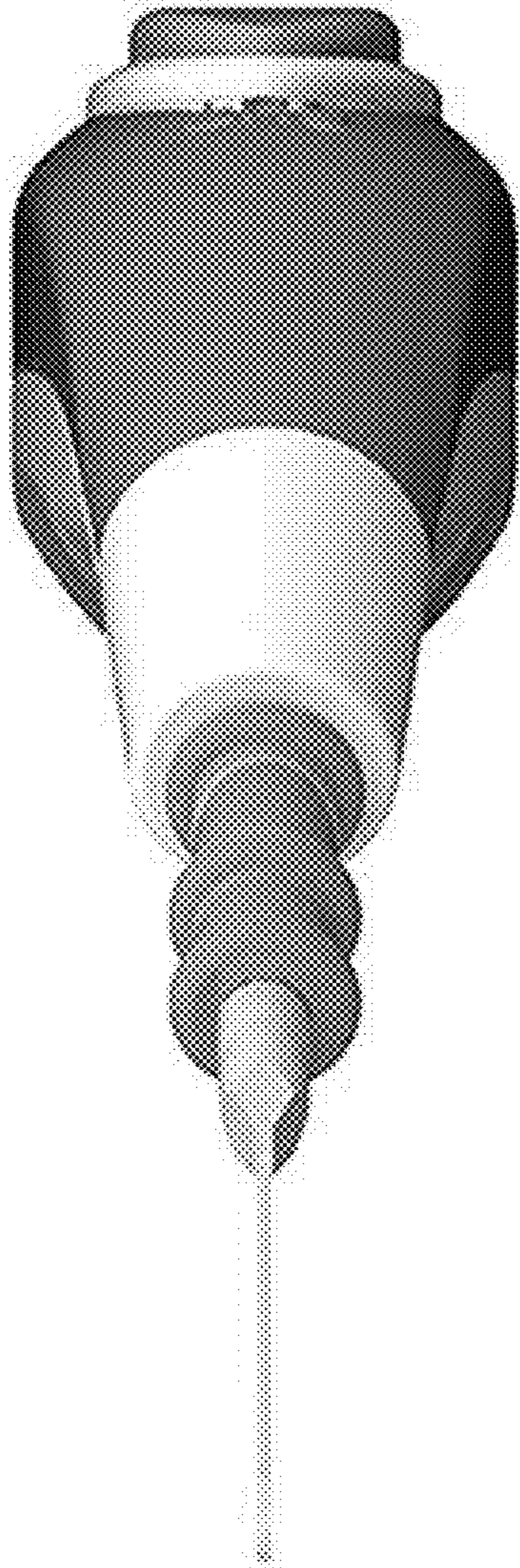


FIG. 5

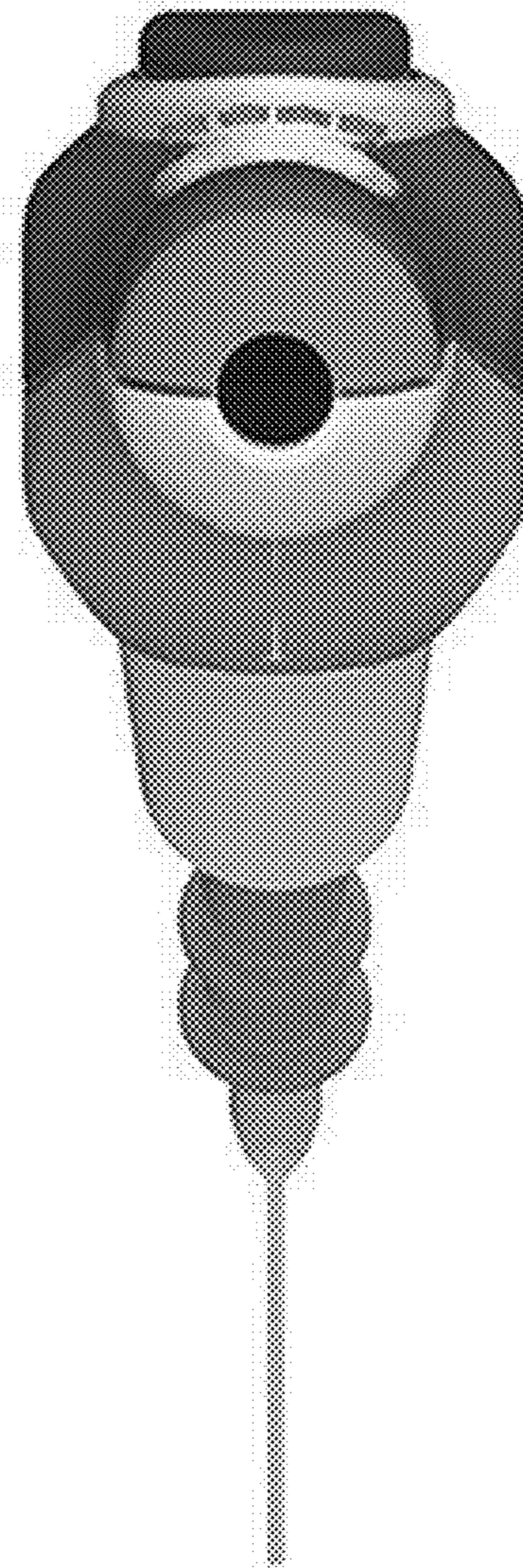


FIG. 6

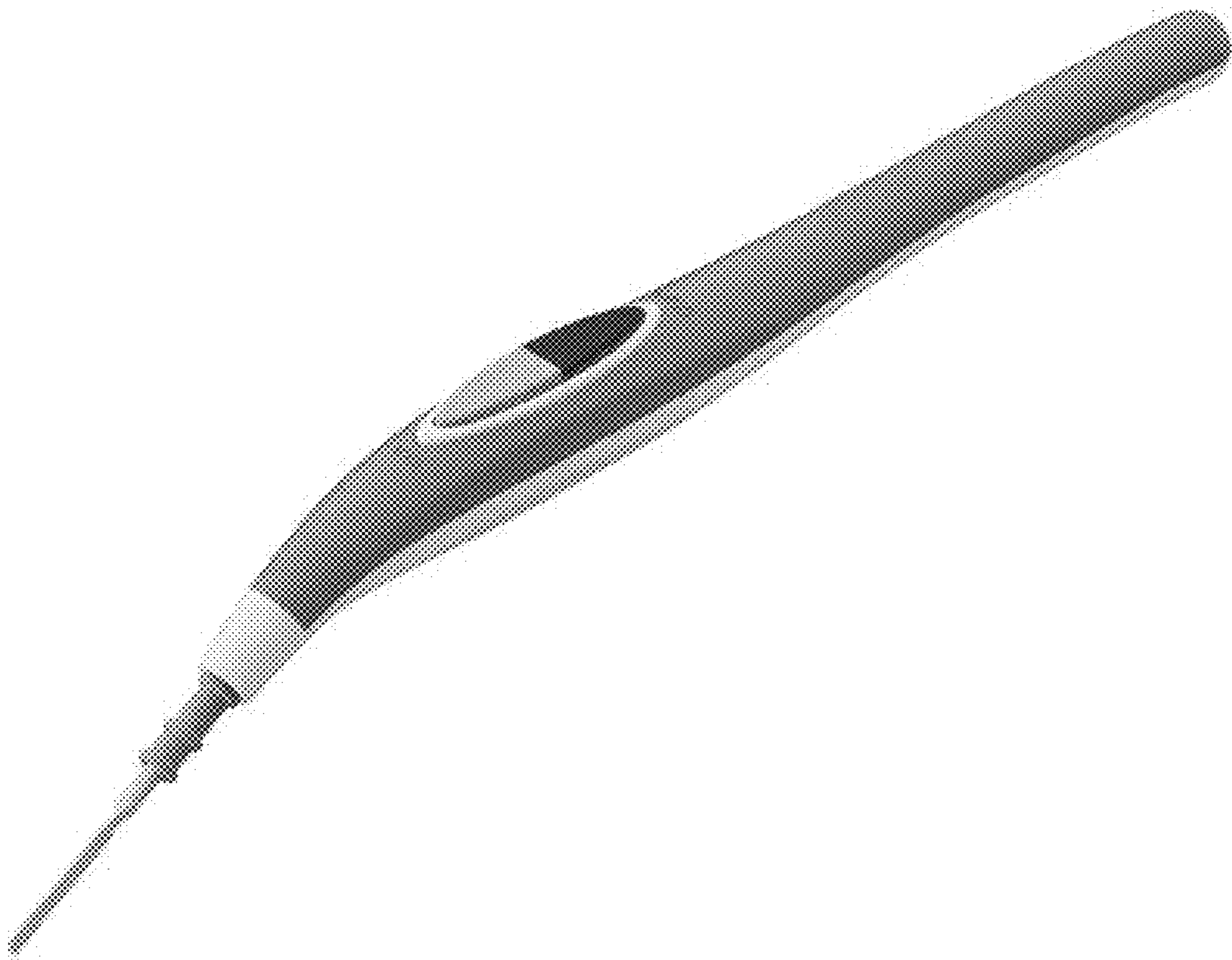


FIG. 7

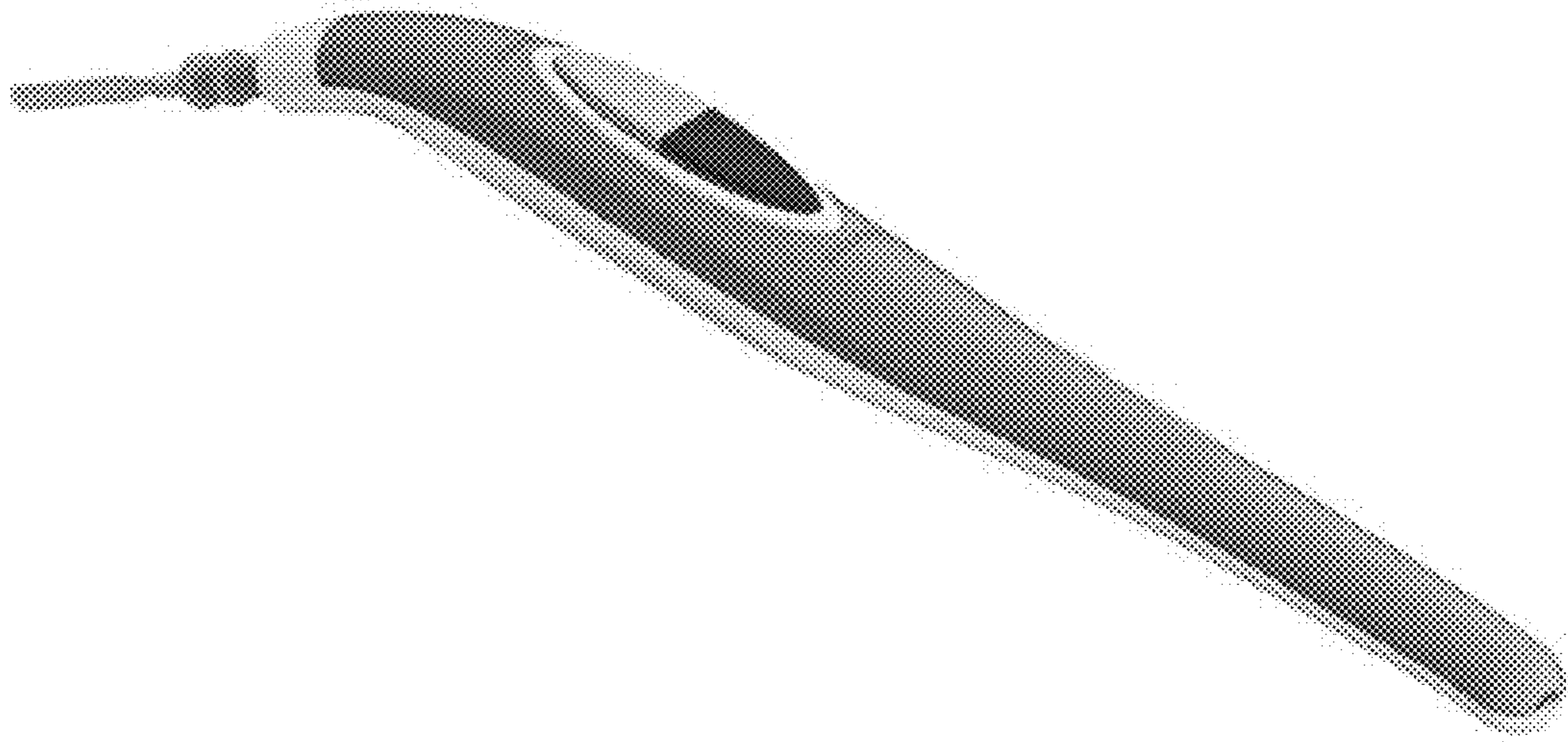


FIG. 8

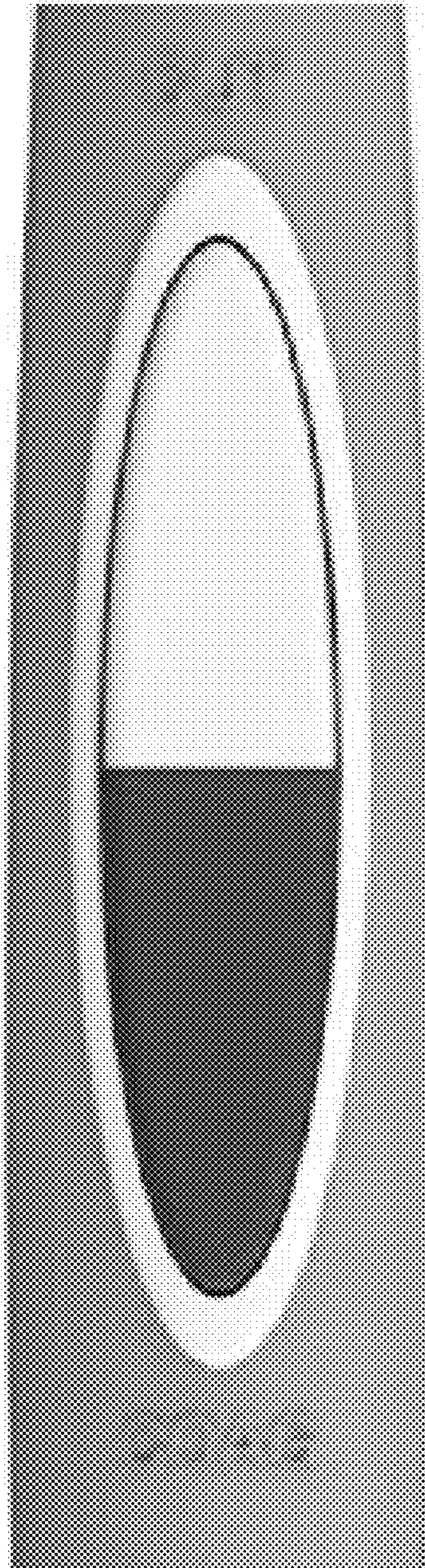


FIG. 9

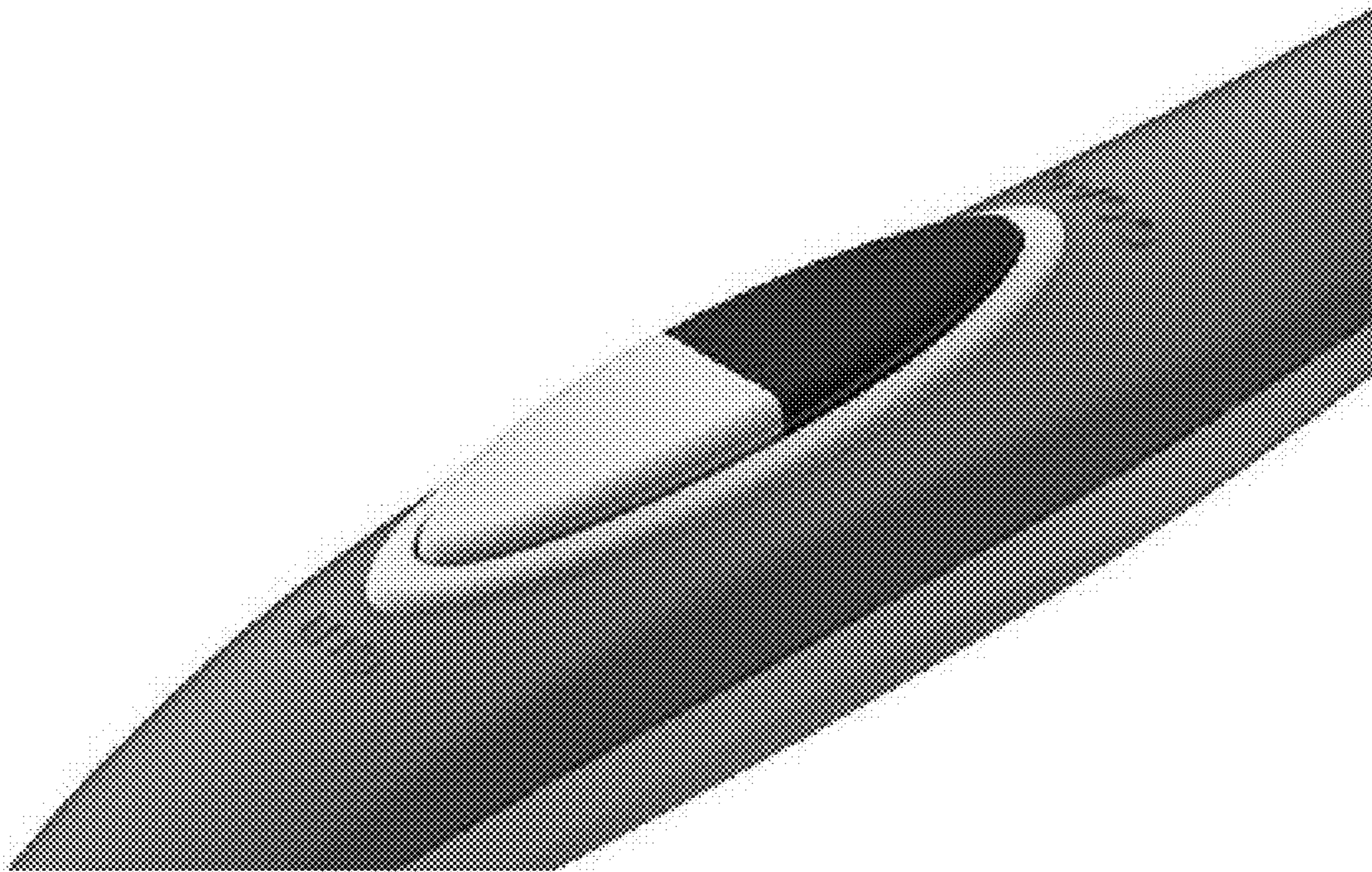


FIG. 10

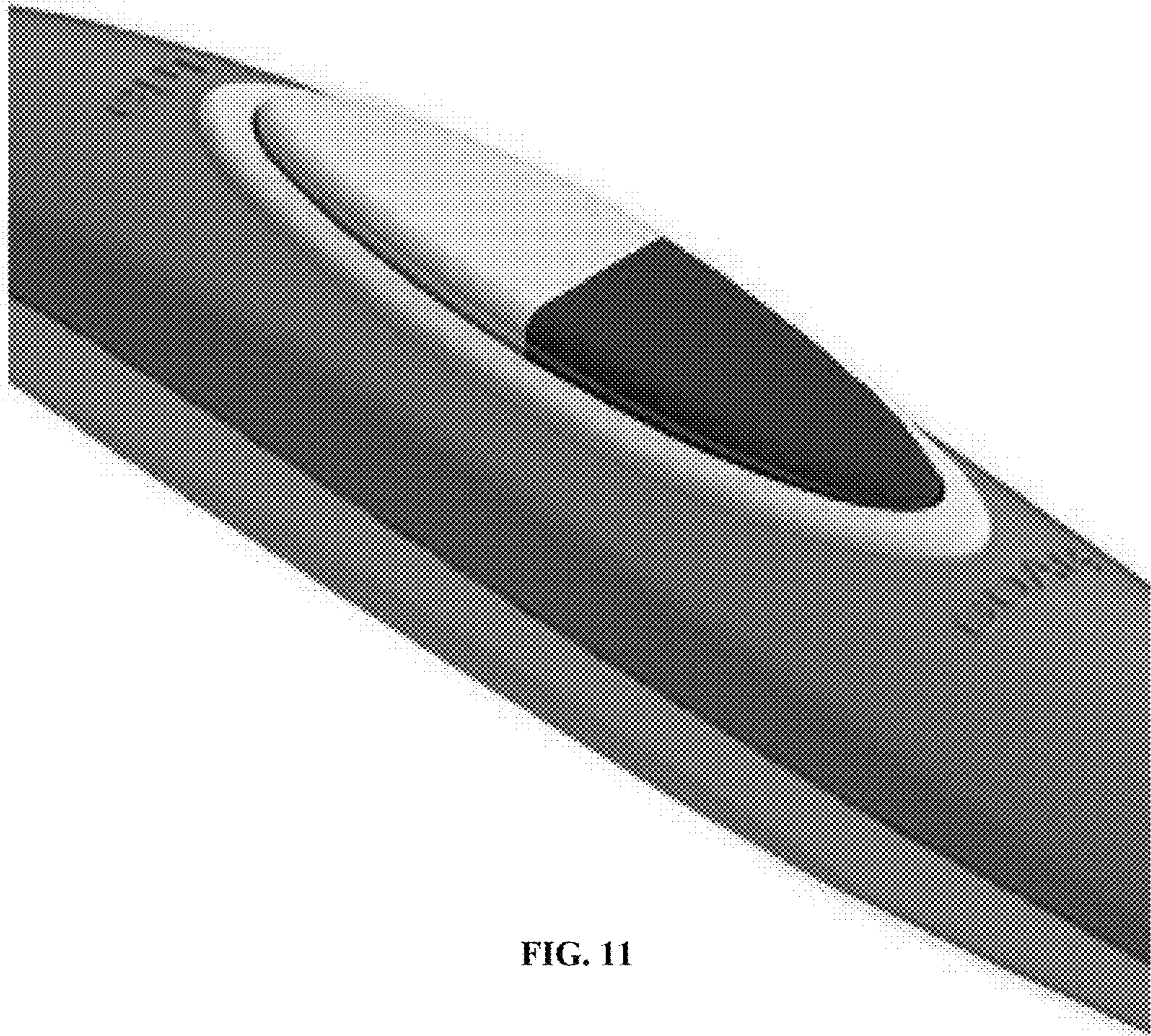


FIG. 11