



US00D815737S

(12) **United States Design Patent** (10) **Patent No.:** **US D815,737 S**  
**Bergström et al.** (45) **Date of Patent:** **\*\* \*Apr. 17, 2018**

(54) **RECTAL CATHETER**

(71) Applicant: **DENTSPLY IH AB**, Molndal (SE)

(72) Inventors: **Pär Bergström**, Göteborg (SE); **Erik Andréen**, Göteborg (SE); **Fredrik Andersson**, Göteborg (SE); **Marie-Josée Michon-Gente**, Göteborg (SE)

(73) Assignee: **DENTSPLY IH AB**, Mölndal (SE)

(\*) Notice: This patent is subject to a terminal disclaimer.

(\*\*) Term: **14 Years**

(21) Appl. No.: **29/475,271**

(22) Filed: **Dec. 2, 2013**

(30) **Foreign Application Priority Data**

Jun. 3, 2013 (EM) ..... 00137291600010008

(51) **LOC (11) Cl.** ..... **24-02**

(52) **U.S. Cl.**  
USPC ..... **D24/130**

(58) **Field of Classification Search**

USPC ..... D24/130, 112-114, 133, 186, 127;  
606/181, 185; 604/264, 272, 115,  
604/164.01-164.09, 533, 232, 187,  
604/168.01, 192, 19, 48, 93.01, 523, 524,  
604/526; 600/101, 139, 143;  
128/200.24, 207.14, 207.15

CPC ..... C12N 2310/321; C12N 2310/3525; C12N  
2310/341; C12N 2310/11

See application file for complete search history.

(56) **References Cited**

**U.S. PATENT DOCUMENTS**

D254,241 S \* 2/1980 Morin ..... D7/612  
5,713,864 A \* 2/1998 Verkaart ..... A61N 1/02  
165/165

D425,625 S \* 5/2000 Niermann ..... D24/122  
D443,709 S \* 6/2001 Chiu ..... D26/49  
D445,908 S \* 7/2001 Conway ..... D24/216  
6,503,220 B1 1/2003 Cirillo et al.  
6,984,226 B1 1/2006 Abell et al.  
D518,178 S \* 3/2006 Christiansen ..... D24/133  
D567,938 S \* 4/2008 Shinohara ..... D24/114  
D577,140 S \* 9/2008 Brown ..... D13/108  
D625,860 S \* 10/2010 Bertken ..... D26/37

(Continued)

**FOREIGN PATENT DOCUMENTS**

EP 1946786 A1 7/2008  
WO 2006042016 A2 4/2006

(Continued)

*Primary Examiner* — David Muller

*Assistant Examiner* — Nathan Johnston

(74) *Attorney, Agent, or Firm* — Perkins Coie LLP

(57) **CLAIM**

The ornamental design for a rectal catheter, as shown and described is claimed.

**DESCRIPTION**

FIG. 1 is a perspective view of a rectal catheter of the present invention;

FIG. 2 is a left side elevation view thereof;

FIG. 3 is a front elevation view thereof;

FIG. 4 is a top plan view thereof;

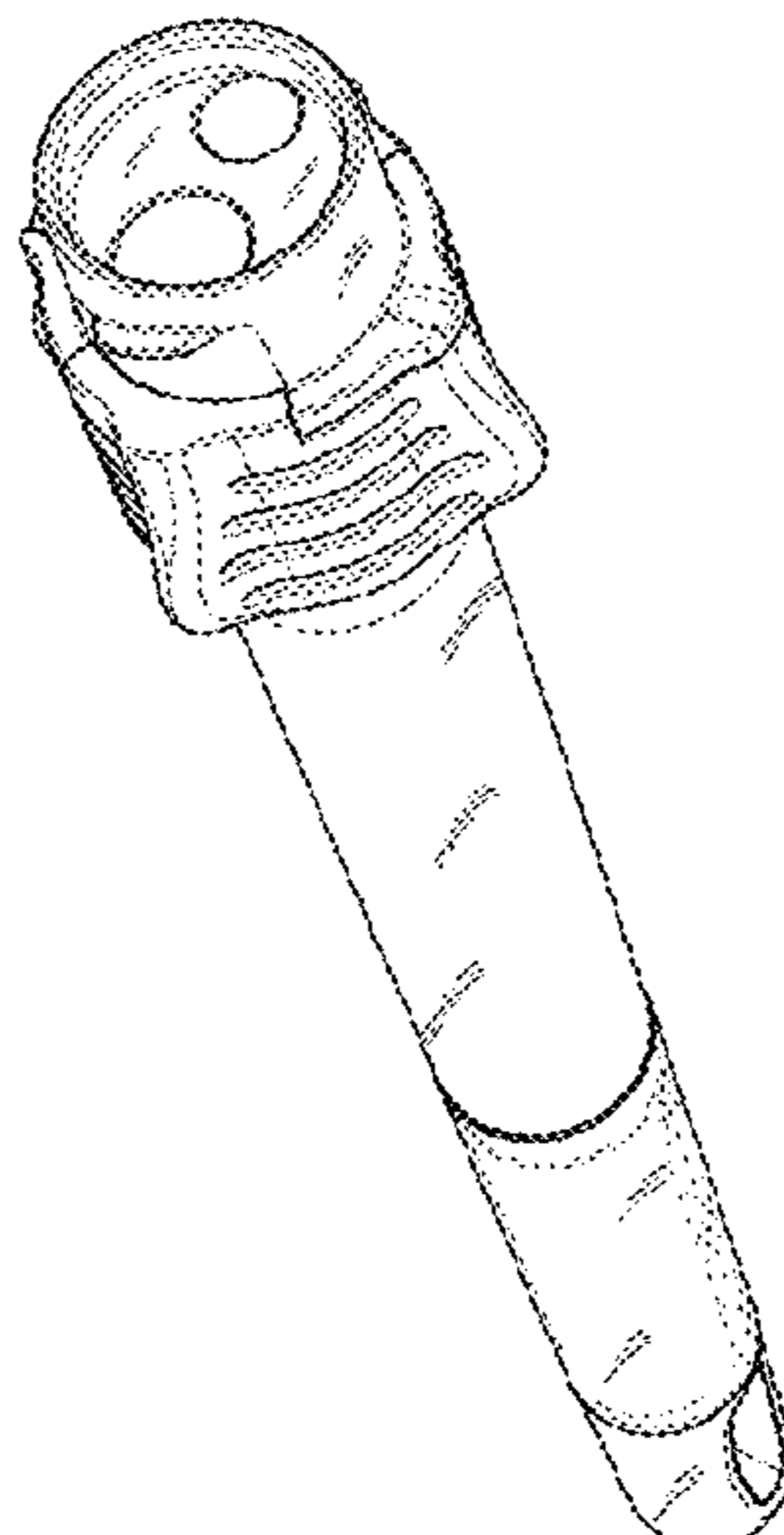
FIG. 5 is a bottom plan view thereof;

FIG. 6 is a right side elevation view thereof; and,

FIG. 7 is a rear elevation view thereof.

The broken lines immediately adjacent the claimed areas represent the bounds of the claim, and all other broken lines are included for the purpose of illustrating portions of the design that form no part of the claimed design. None of the broken lines form part of the claimed design.

**1 Claim, 7 Drawing Sheets**



(56)

**References Cited**

U.S. PATENT DOCUMENTS

7,806,614 B2 \* 10/2010 Desson ..... A45D 40/02  
401/179  
D626,671 S \* 11/2010 Bertken ..... D10/114.9  
D683,016 S \* 5/2013 Mirza ..... D24/112  
2003/0073963 A1 4/2003 Falconer  
2004/0034324 A1 2/2004 Seese et al.  
2005/0033264 A1 \* 2/2005 Redinger ..... A61M 25/0021  
604/523  
2008/0287919 A1 11/2008 Kimball  
2012/0143168 A1 6/2012 Bjerregard

FOREIGN PATENT DOCUMENTS

WO 2006042016 A3 4/2006  
WO 2013076446 A1 3/2013

\* cited by examiner

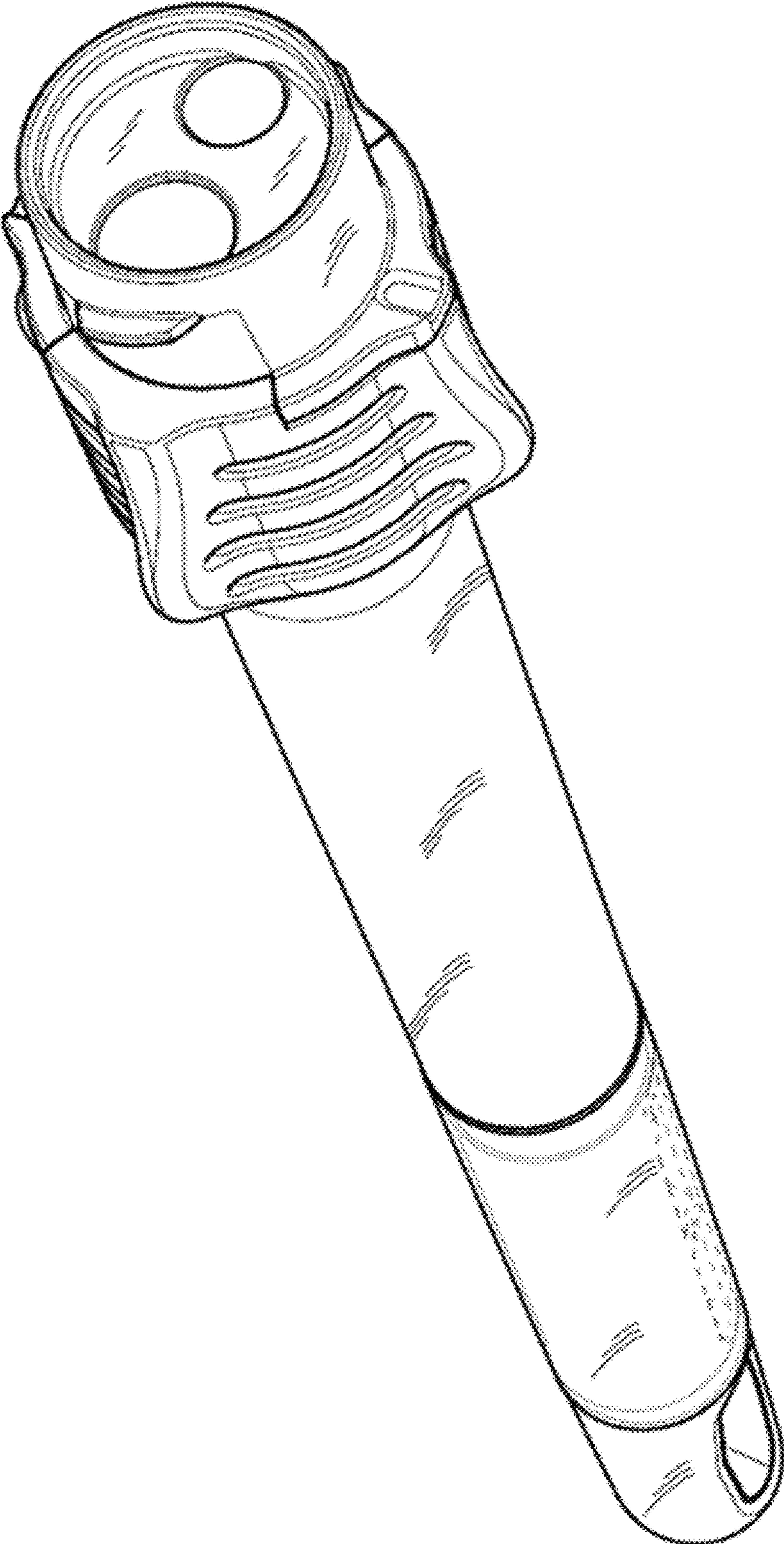


FIG. 1

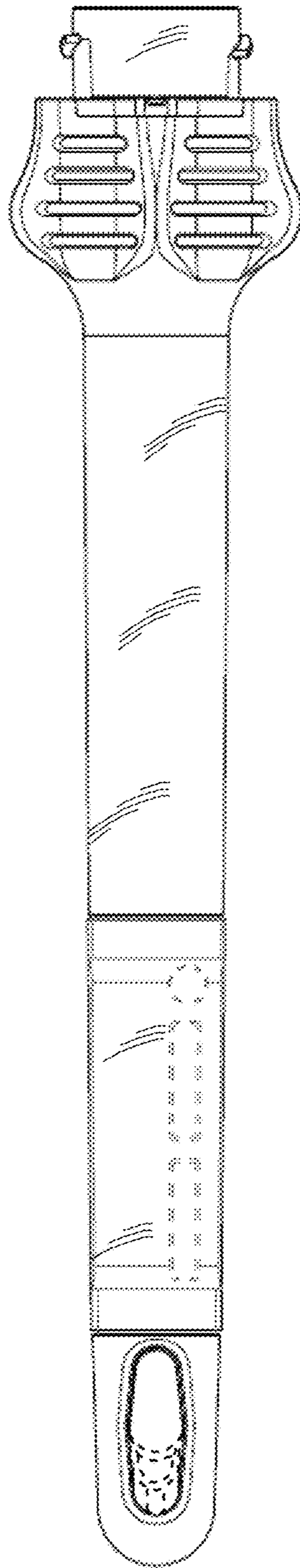


FIG. 2



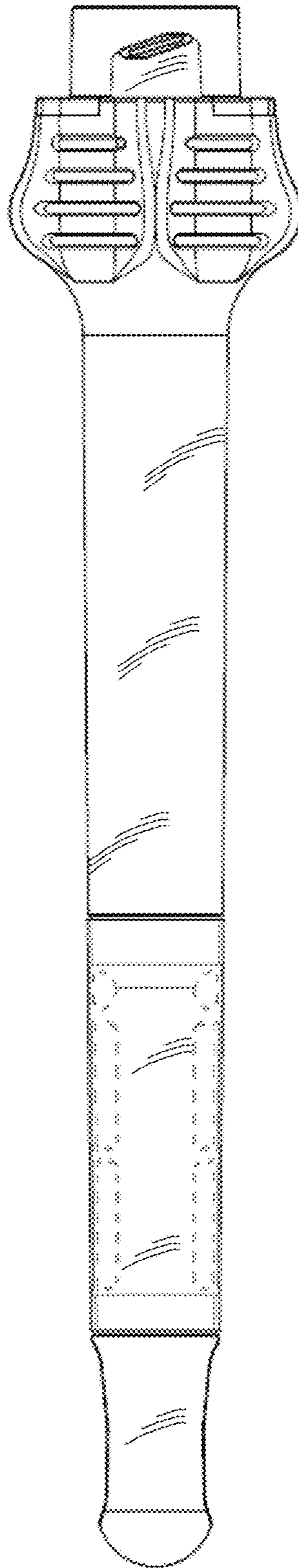


FIG. 3

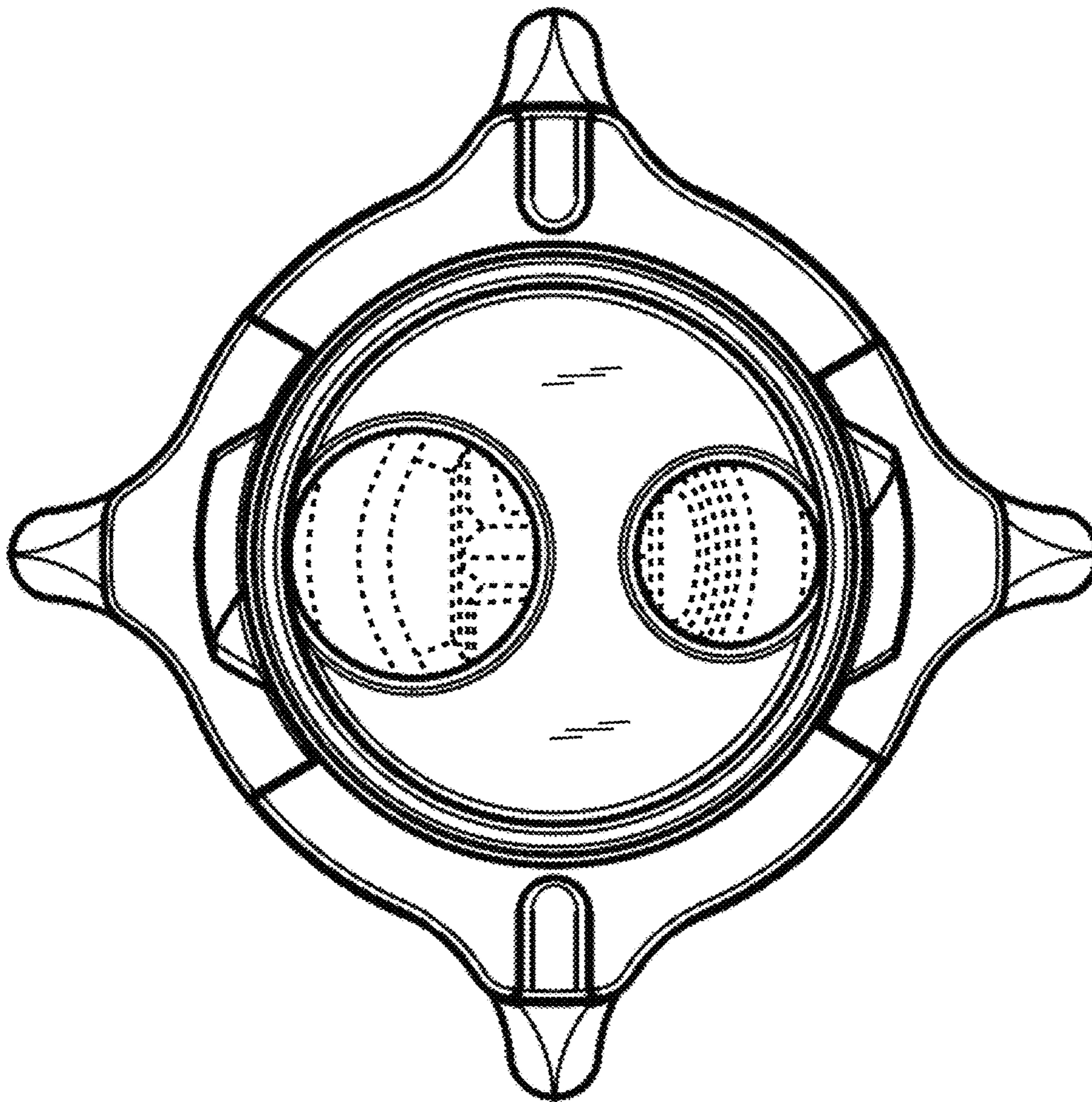


FIG. 4

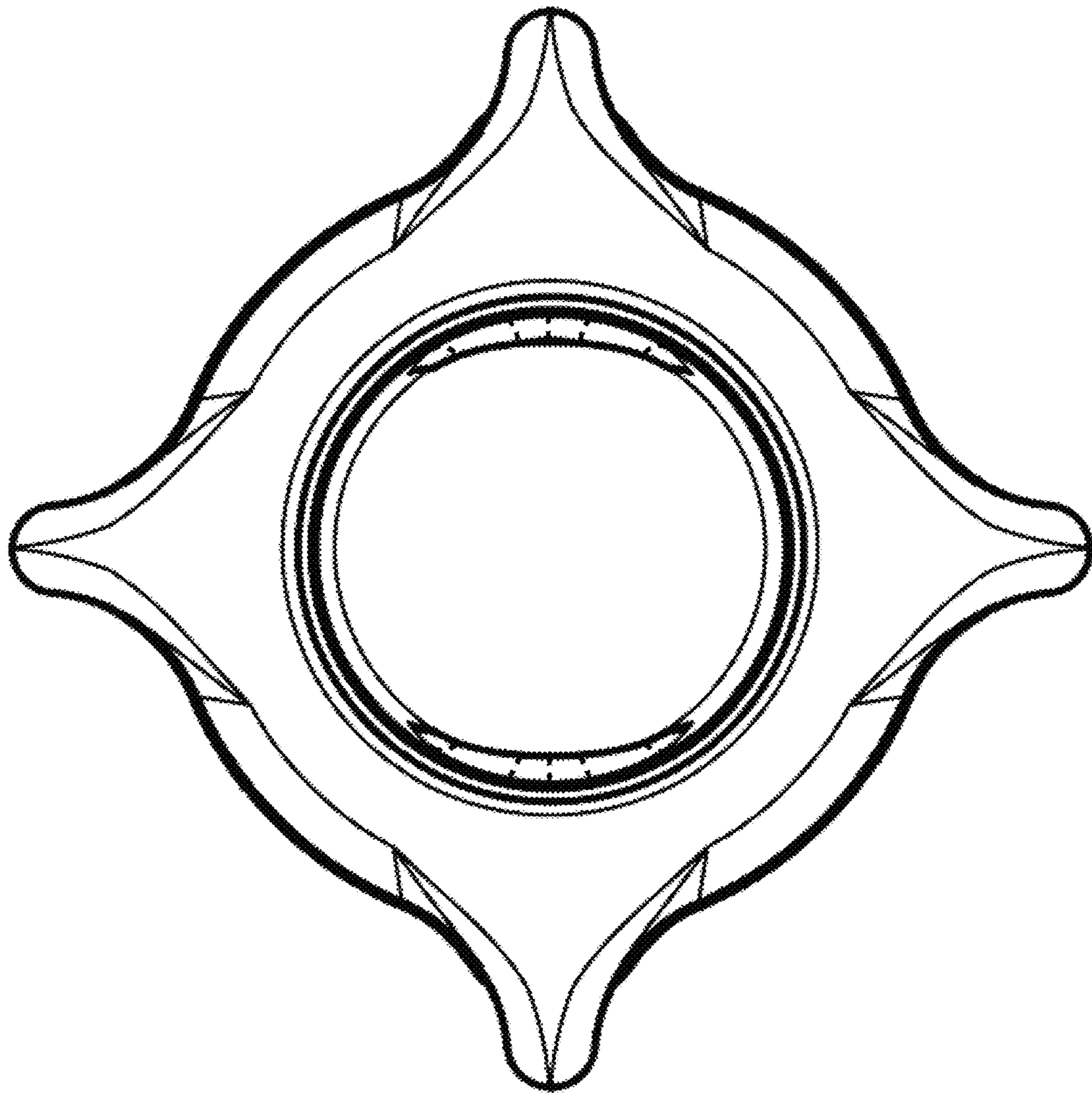


FIG. 5

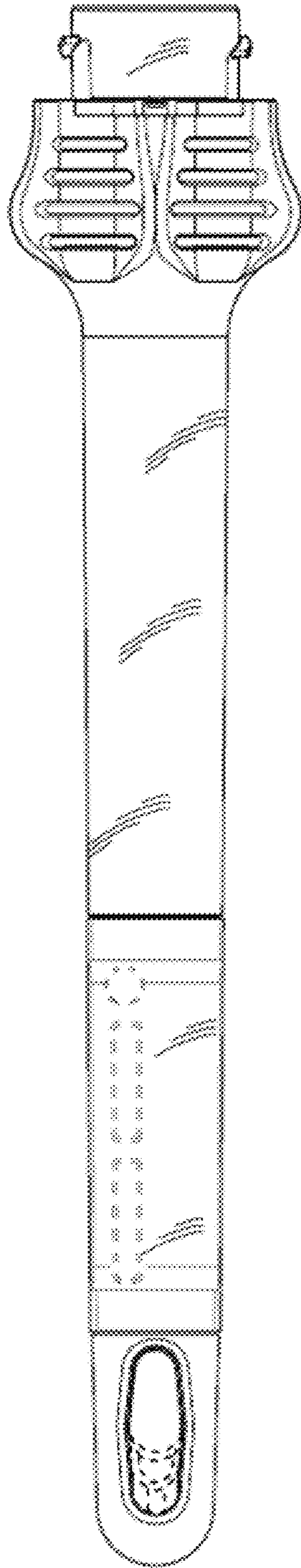


FIG. 6



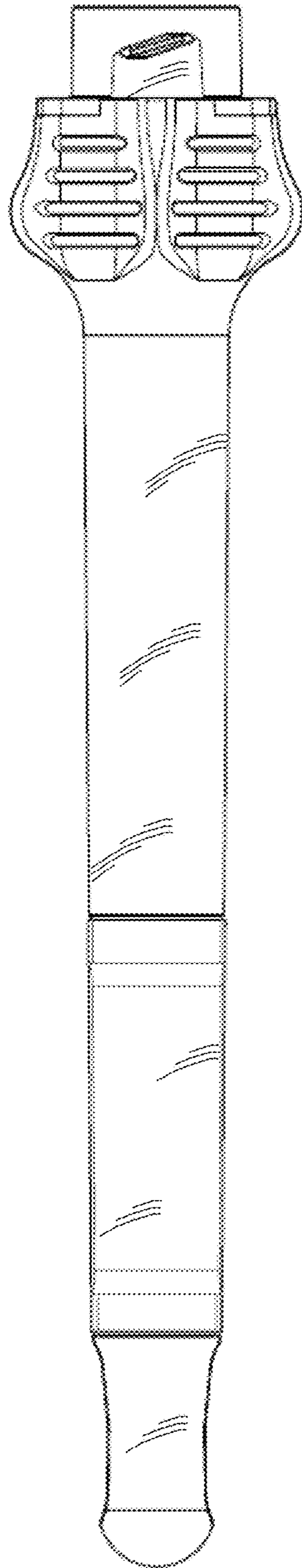


FIG. 7