



US00D815736S

(12) **United States Design Patent** (10) **Patent No.:** **US D815,736 S**  
**Reaux** (45) **Date of Patent:** **\*\* Apr. 17, 2018**

(54) **STERILE MEDICAL TOOL CADDY**

(71) Applicant: **Brian K. Reaux**, Red Oak, TX (US)

(72) Inventor: **Brian K. Reaux**, Red Oak, TX (US)

(73) Assignee: **Brian K. Reaux**, Red Oak, TX (US)

(\*\*) Term: **15 Years**

(21) Appl. No.: **29/620,222**

(22) Filed: **Aug. 25, 2016**

(51) **LOC (11) Cl.** ..... **24-02**

(52) **U.S. Cl.**  
 USPC ..... **D24/128**

(58) **Field of Classification Search**  
 USPC ..... D6/320, 323, 325, 513, 514, 553;  
 D24/103, 107, 108, 126, 128, 131, 216,  
 D24/225, 226, 227, 229, 230, 231;  
 D3/203.1, 203.2, 203.3; D9/733, 740  
 CPC . A61B 19/0288; A61B 19/0256; A61B 50/20;  
 A61B 50/22; A61B 50/24; A61B 50/33;  
 A61B 50/362; A47G 29/00; B65D 83/04;  
 B65D 83/0409  
 See application file for complete search history.

D337,011 S \* 7/1993 Duffy, Jr. .... D6/513  
 D340,622 S \* 10/1993 Park ..... D6/513  
 D345,662 S \* 4/1994 Golub ..... D6/513  
 D494,050 S \* 8/2004 Klein ..... D6/513  
 6,827,212 B2 12/2004 Reaux  
 D608,622 S \* 1/2010 Zhu ..... D6/513  
 D618,023 S \* 6/2010 Goodman ..... D6/513  
 D662,344 S \* 6/2012 Cook ..... D6/513  
 D679,120 S \* 4/2013 Abraham ..... D6/513  
 D712,063 S \* 8/2014 Austria ..... D24/231  
 D727,651 S \* 4/2015 San Martin ..... D6/513  
 D781,069 S \* 3/2017 Marshall ..... D6/553  
 2009/0272861 A1\* 11/2009 Bevelacqua ..... B25H 1/02  
 248/188  
 2012/0314353 A1\* 12/2012 Williams ..... A47G 23/0208  
 361/679.01  
 2017/0127867 A1\* 5/2017 Malott ..... A47G 29/00

\* cited by examiner

*Primary Examiner* — Sheryl Lane  
*Assistant Examiner* — Calvin E Vansant

(57) **CLAIM**

The ornamental design for a sterile medical tool caddy, as shown and described.

**DESCRIPTION**

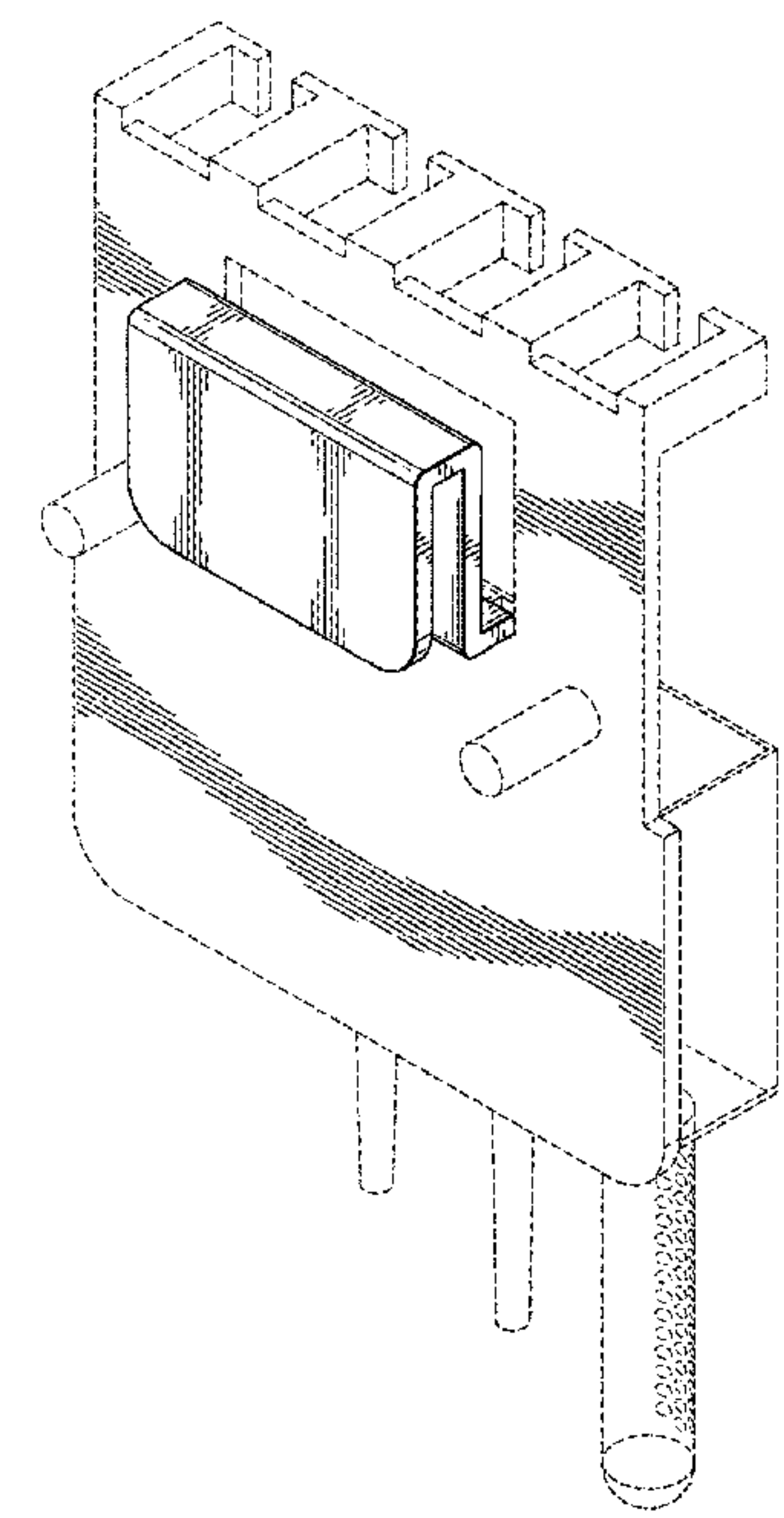
FIG. 1 is a rear perspective view of a sterile medical tool caddy.  
 FIG. 2 is a front view thereof;  
 FIG. 3 is a plan back view thereof;  
 FIG. 4 is a left side view thereof;  
 FIG. 5 is a right side view thereof;  
 FIG. 6 is a top view thereof; and,  
 FIG. 7 is a bottom view thereof.  
 The broken lines depict portions of the sterile medical tool caddy that form no part of the claim.

**1 Claim, 5 Drawing Sheets**

(56) **References Cited**

U.S. PATENT DOCUMENTS

3,055,510 A \* 9/1962 Coates ..... A47F 5/03  
 211/164  
 3,777,953 A \* 12/1973 Lewis ..... A45C 11/10  
 224/152  
 D248,910 S \* 8/1978 DeFilippo ..... D6/513  
 4,300,692 A \* 11/1981 Moreno ..... A47F 5/0853  
 211/87.01  
 D298,396 S \* 11/1988 Gallego ..... D6/513



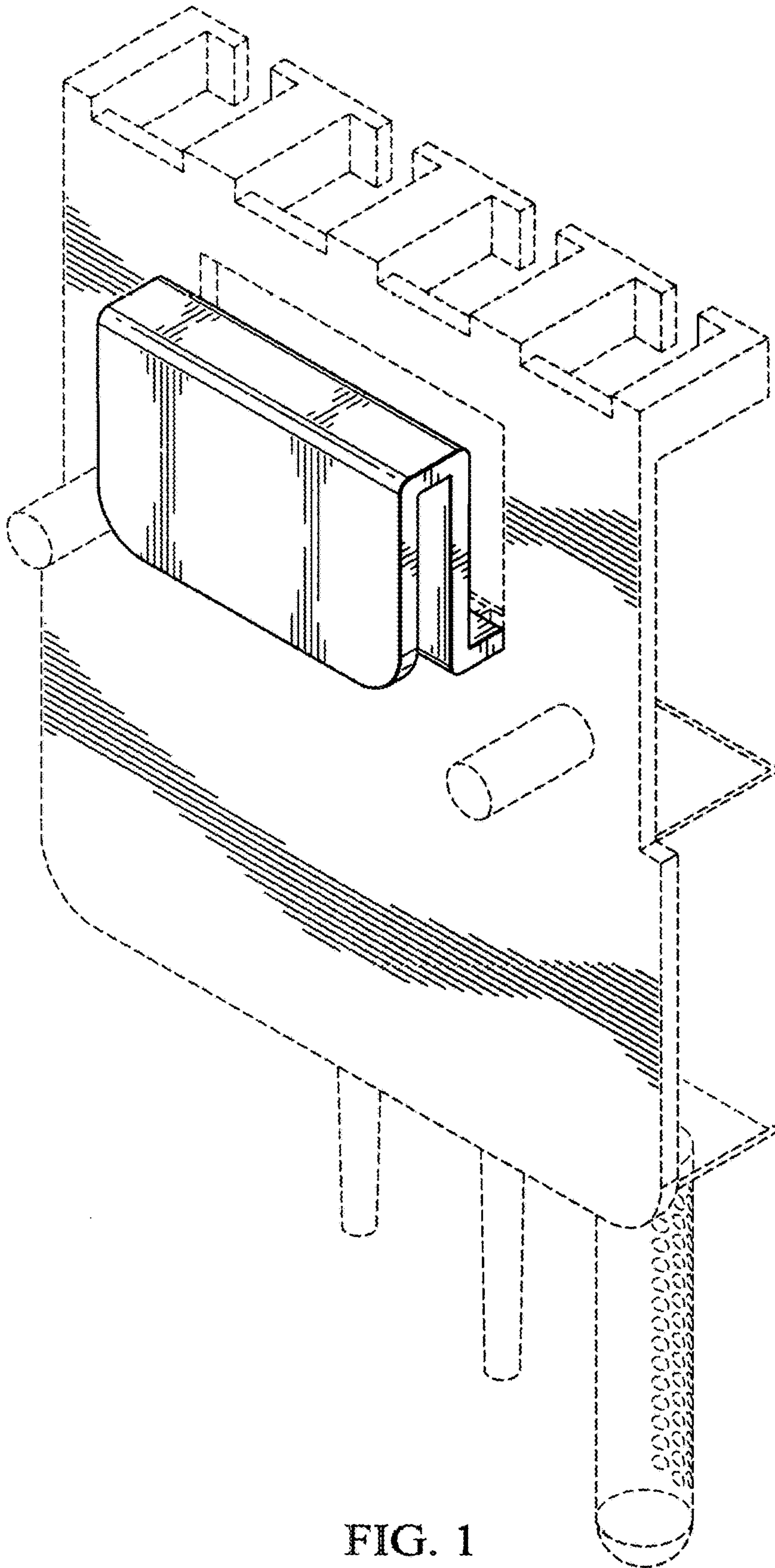


FIG. 1

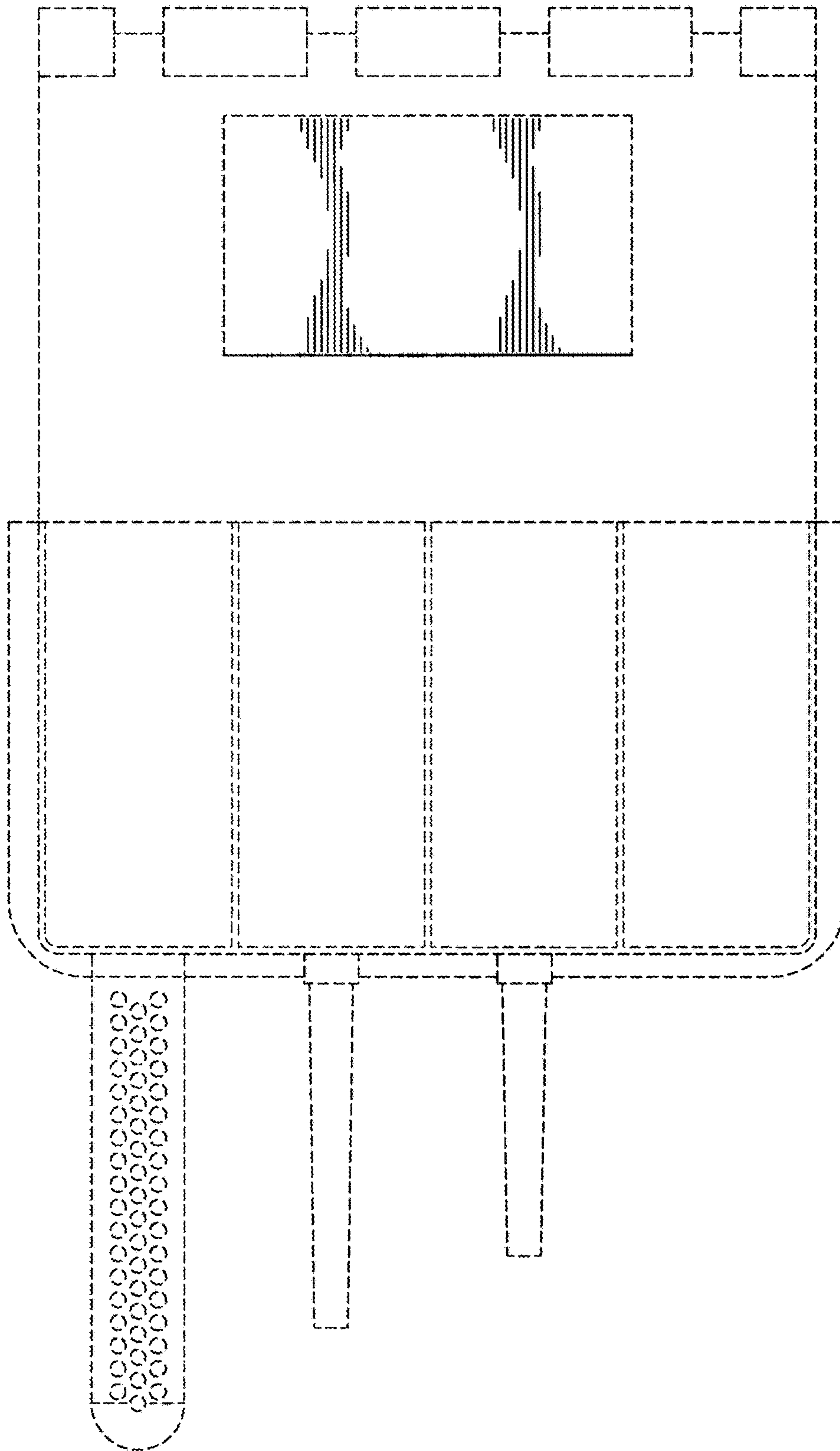


FIG. 2

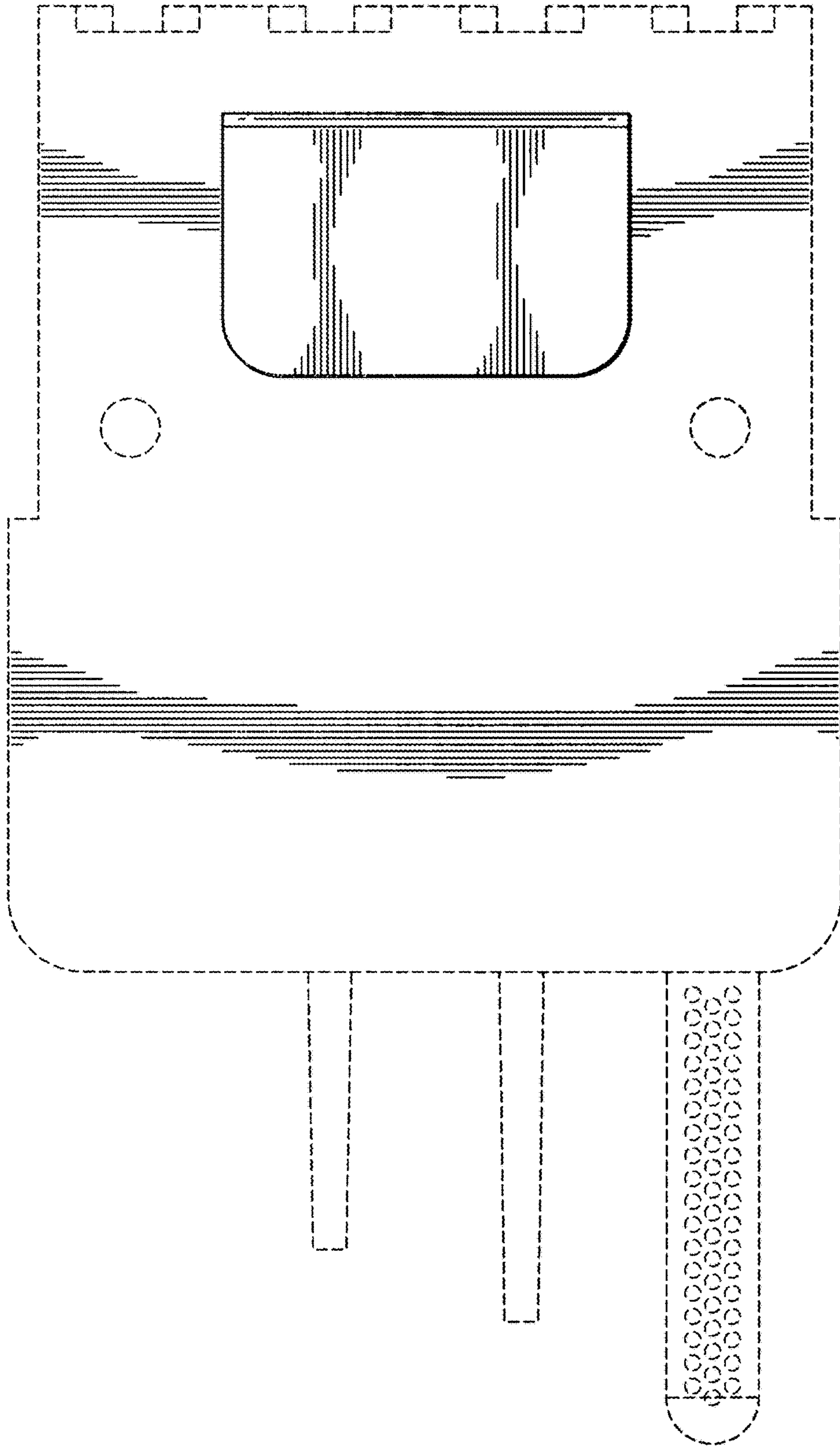


FIG. 3



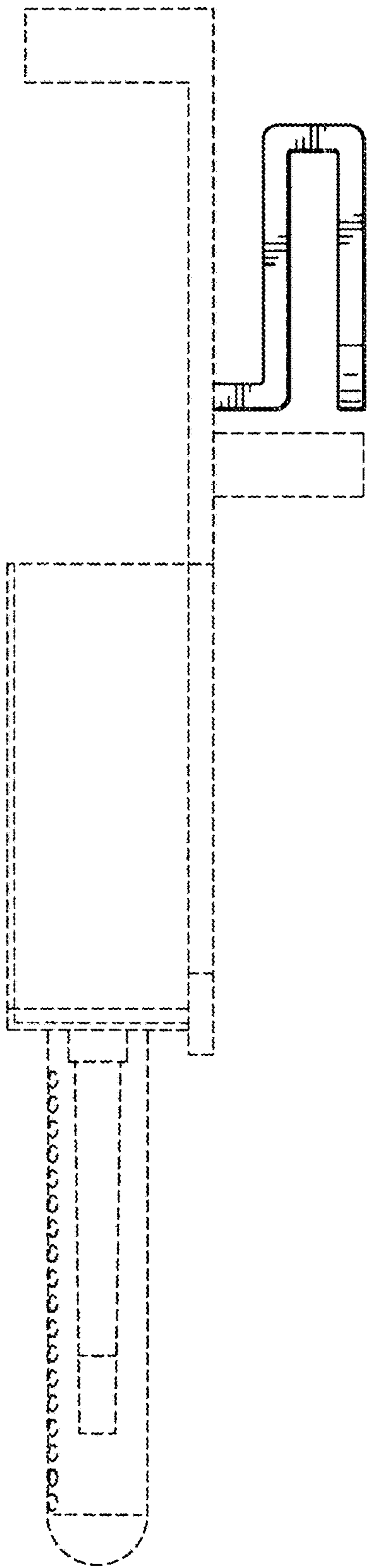


FIG. 4

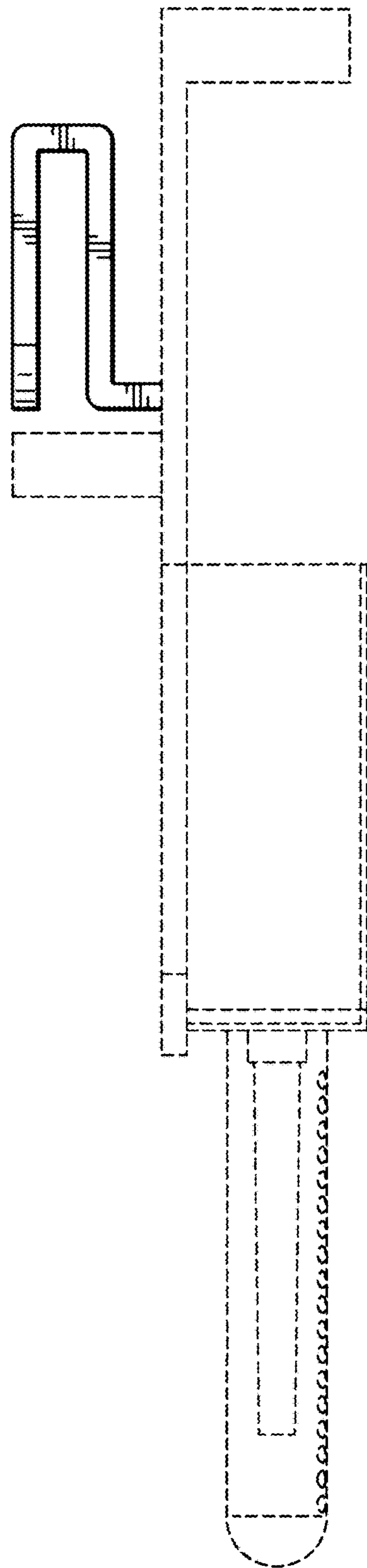


FIG. 5

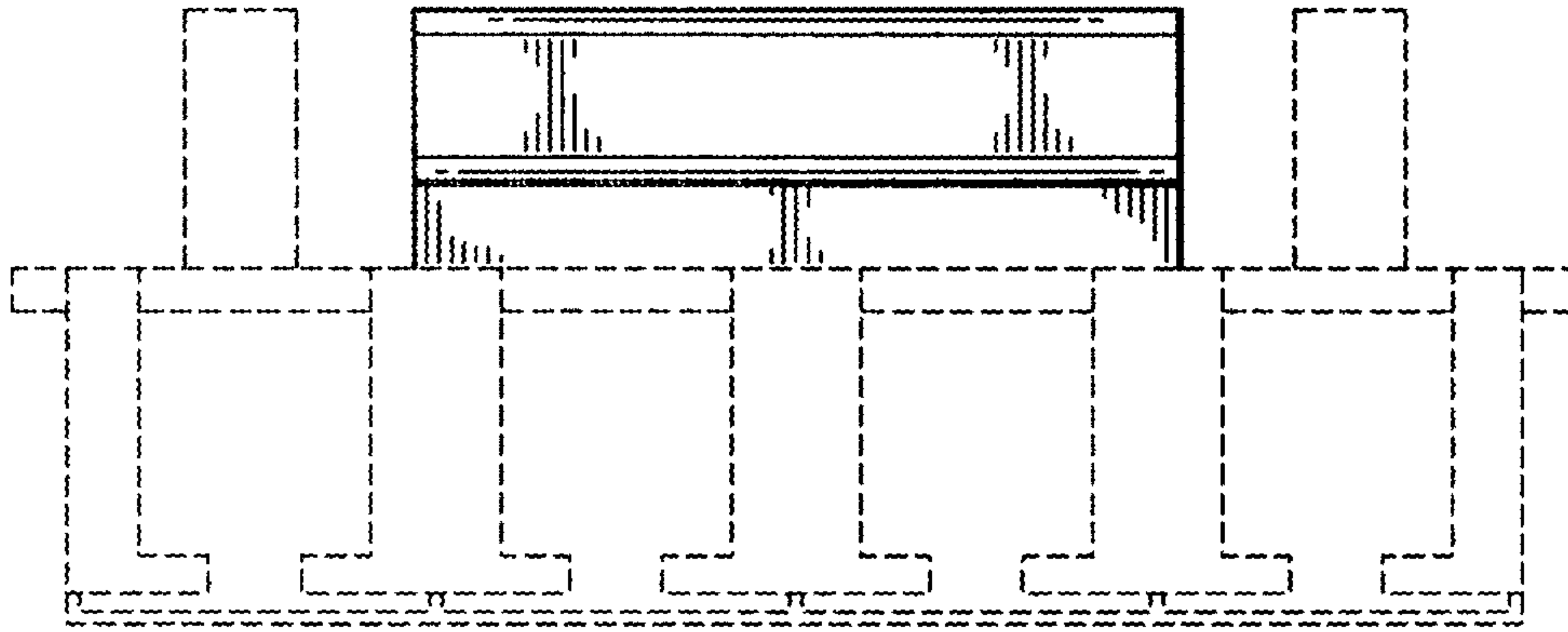


FIG. 6

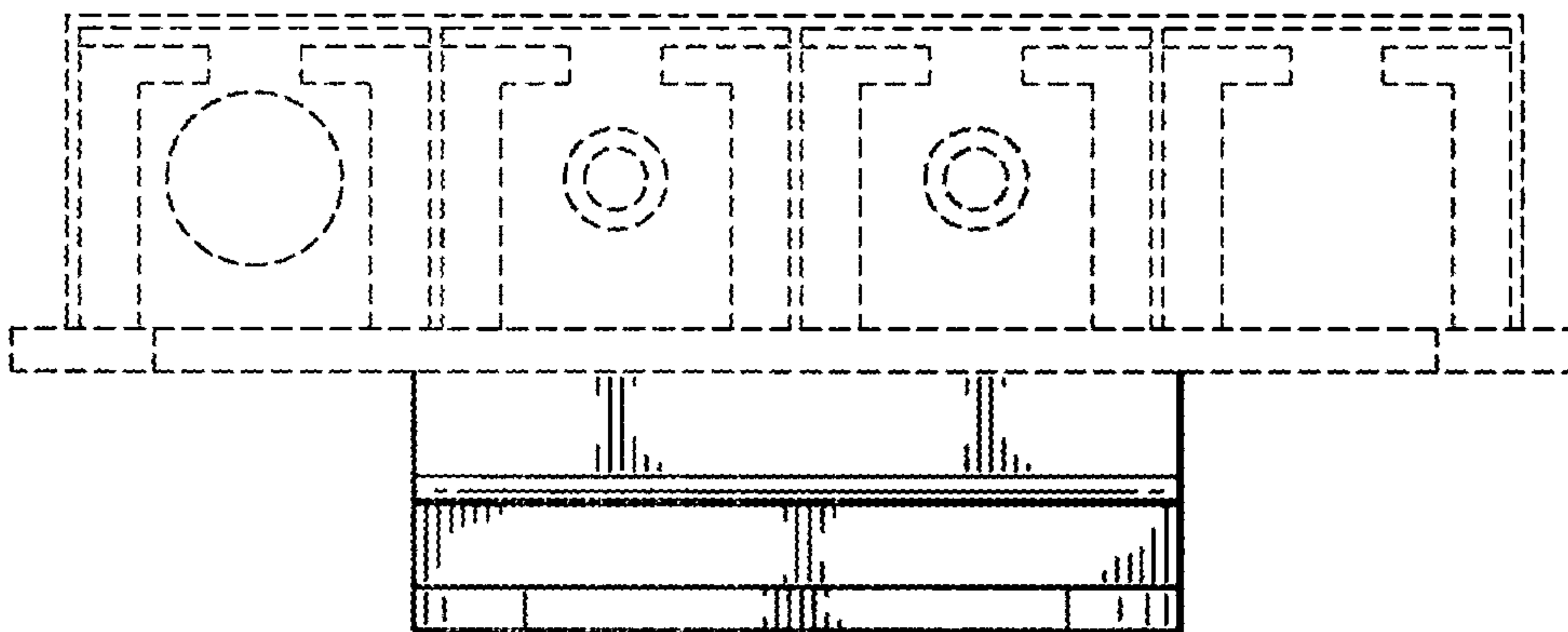


FIG. 7