



US00D815735S

(12) **United States Design Patent** (10) **Patent No.:** **US D815,735 S**
Aliberti (45) **Date of Patent:** **** Apr. 17, 2018**

(54) **HOSE CLAMPING DEVICE**

(71) Applicant: **Christopher Aliberti**, Scottsdale, AZ (US)

(72) Inventor: **Christopher Aliberti**, Scottsdale, AZ (US)

(**) Term: **15 Years**

(21) Appl. No.: **29/568,858**

(22) Filed: **Jun. 22, 2016**

(51) **LOC (11) Cl.** **24-02**

(52) **U.S. Cl.**
USPC **D24/128; D8/396**

(58) **Field of Classification Search**
USPC D6/323; D8/67, 330, 349, 354, 355, 356, D8/363, 364, 367, 371, 373, 383, 397, D8/396; D15/5, 146, 147, 148; D34/32, D34/33, 35; D24/128
See application file for complete search history.

(56) **References Cited**

U.S. PATENT DOCUMENTS

2,108,347 A	2/1938	Quamstrom	
3,012,745 A	12/1961	Donovan	
D235,619 S *	7/1975	Ziaylek, Jr.	D34/6
5,639,049 A	6/1997	Jennings et al.	
6,041,951 A	3/2000	Blum et al.	
D669,341 S *	10/2012	Hernandez	D8/356
D688,118 S *	8/2013	Hobson	D8/356
D688,119 S *	8/2013	Hobson	D8/356
D688,548 S *	8/2013	Hobson	D8/356
D739,612 S *	9/2015	Kronebusch	D29/130
D762,461 S *	8/2016	Kirkham	D8/356
D763,665 S *	8/2016	Hallare	D8/356
D767,372 S *	9/2016	Itou	H02G 3/26
			D8/356
D769,700 S *	10/2016	Chinchon	D8/356
D771,474 S *	11/2016	Gertsma	D8/356

* cited by examiner

Primary Examiner — John Windmuller
Assistant Examiner — Benjamin M Weeks
(74) *Attorney, Agent, or Firm* — Mark Wisnosky

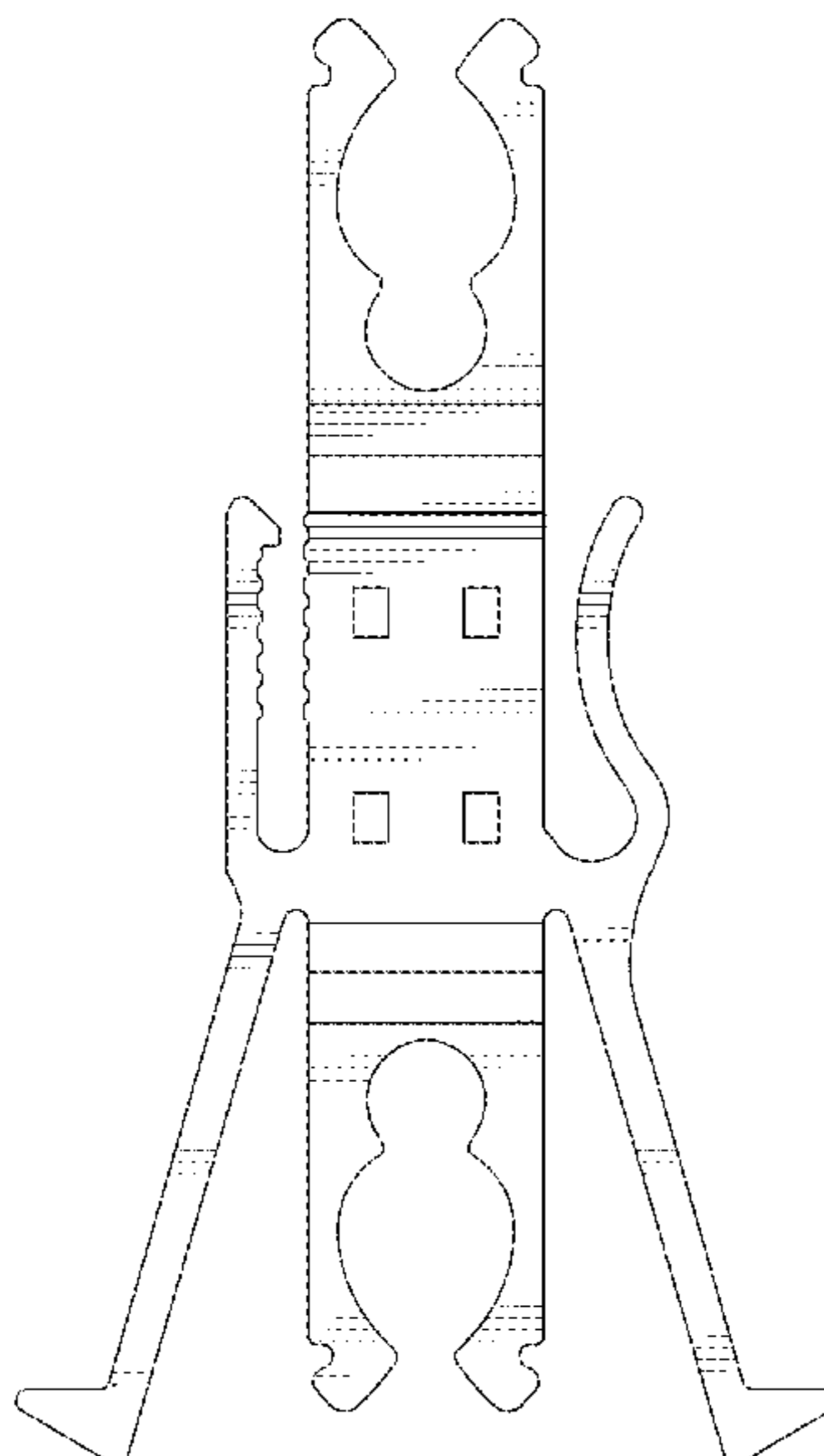
(57) **CLAIM**

The ornamental design for a hose clamping device, as shown and described.

DESCRIPTION

FIG. 1 is a top view of a hose clamping device.
FIG. 2 is a bottom view of the hose clamping device of FIG. 1.
FIG. 3 shows right and left side views of the hose clamping device of FIG. 1.
FIG. 4 shows front and back views of the hose clamping device of FIG. 1.
FIG. 5 is a top view of the hose clamping device of FIG. 1 folded into operating configuration.
FIG. 6 is a bottom view of the hose clamping device of FIG. 5.
FIG. 7 shows right and left side views of the hose clamping device of FIG. 5.
FIG. 8 shows front and back views of the hose clamping device of FIG. 5.
FIG. 9 is a perspective view of the hose clamping device of FIG. 5.
FIG. 10 is a top view of the hose clamping device of FIG. 1 folded into a second operating configuration.
FIG. 11 is a bottom view of the hose clamping device of FIG. 10.
FIG. 12 shows right and left side views of the hose clamping device of FIG. 10; and,
FIG. 13 shows front and back views of the hose clamping device of FIG. 10.
The broken-line showing of a hose is environment and forms no part of the claimed design.

1 Claim, 13 Drawing Sheets



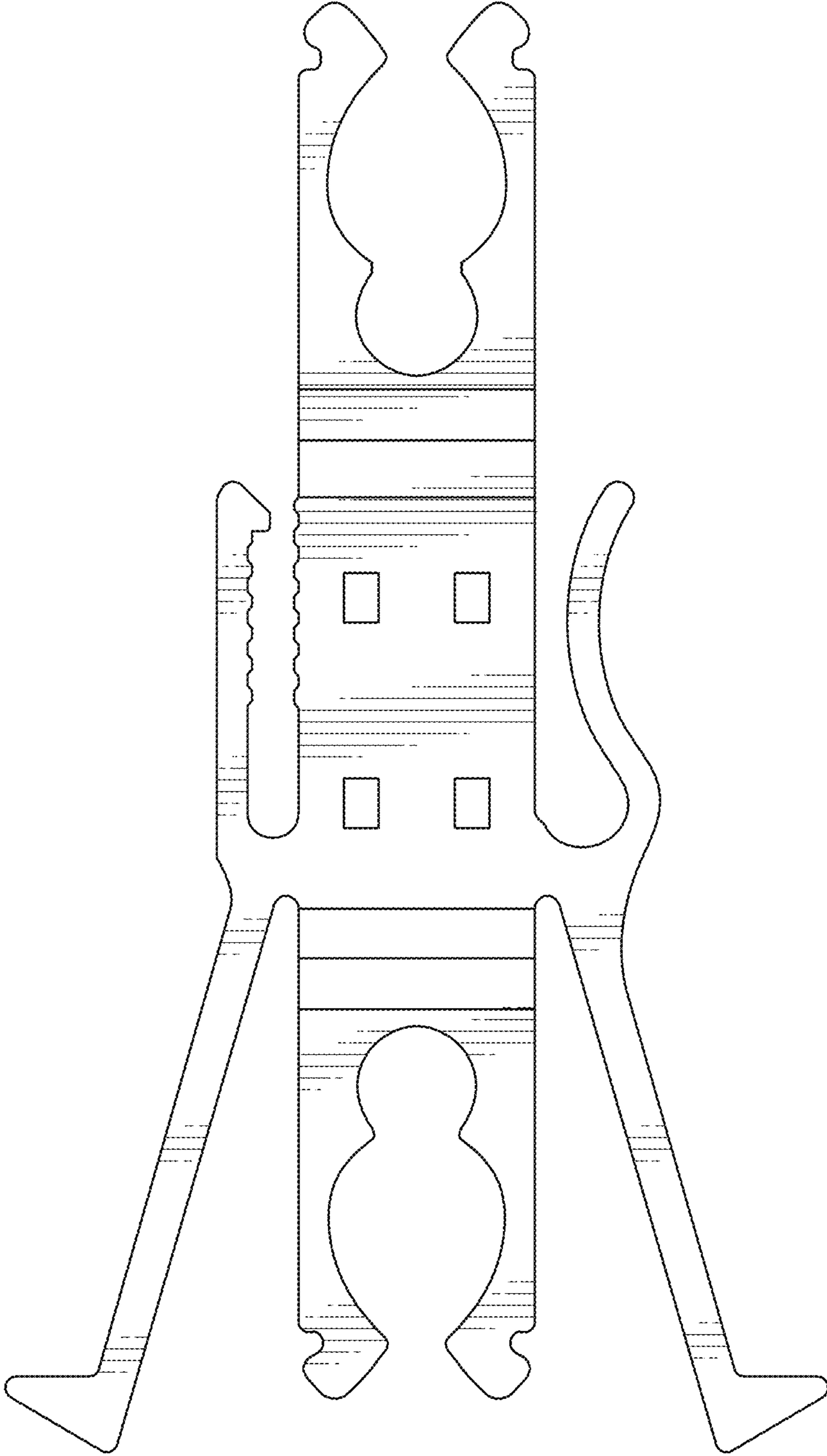


FIG. 1

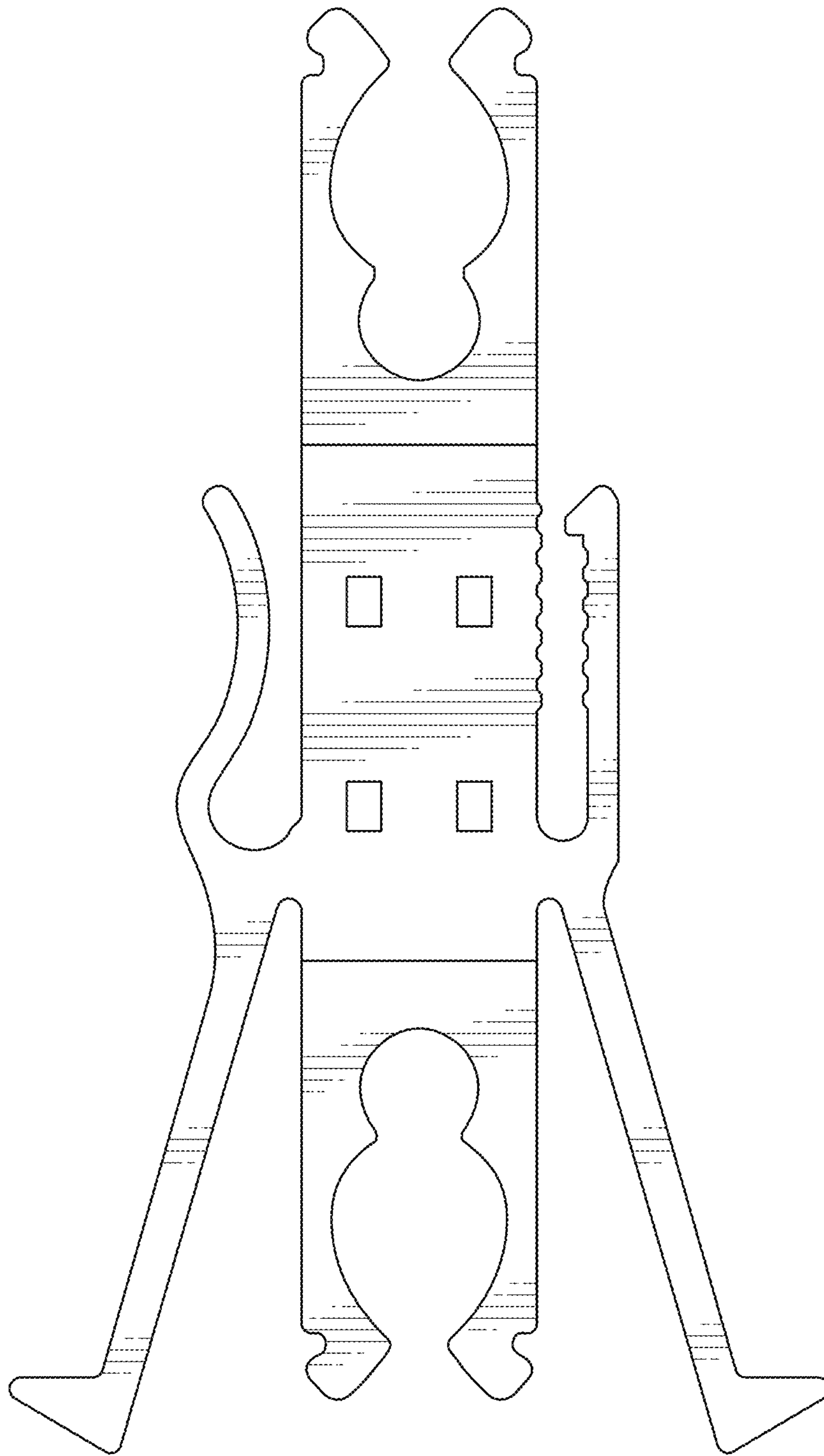


FIG. 2

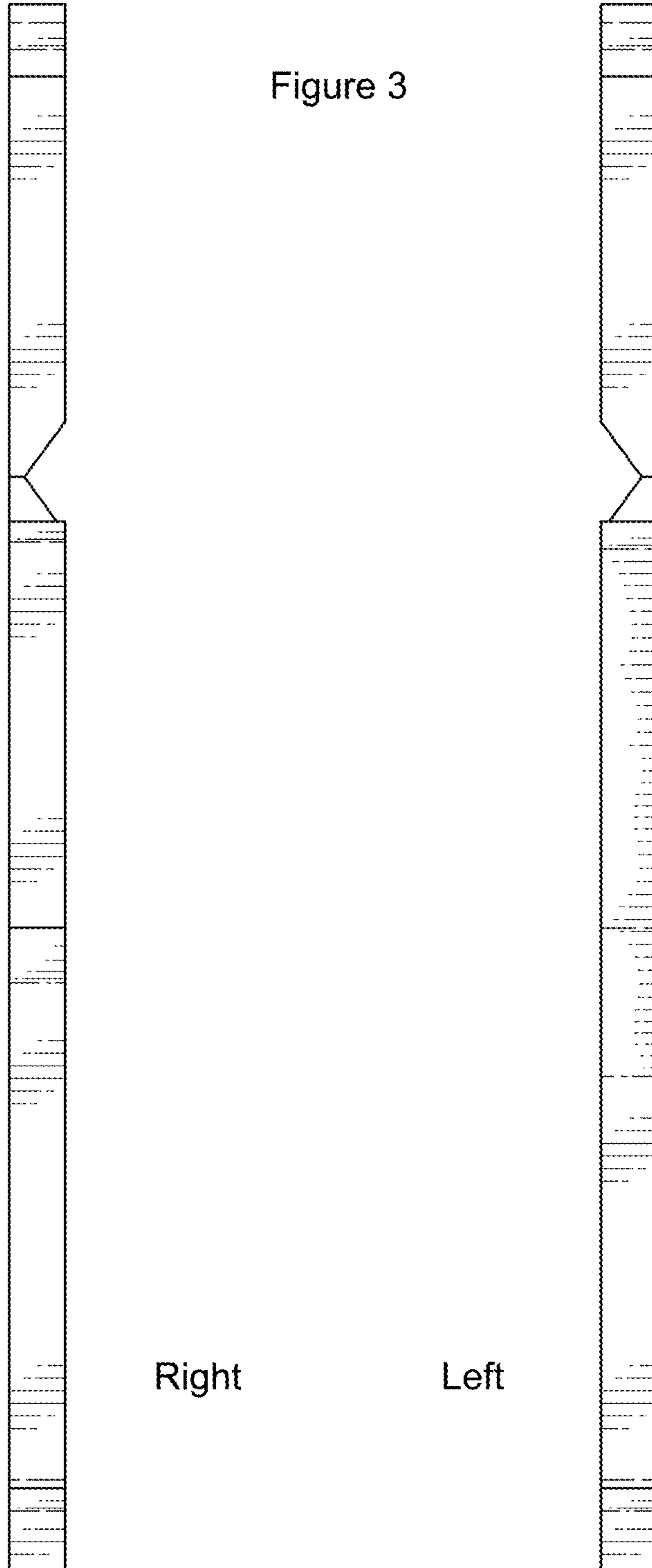


Figure 4



Front



Back

Figure 5

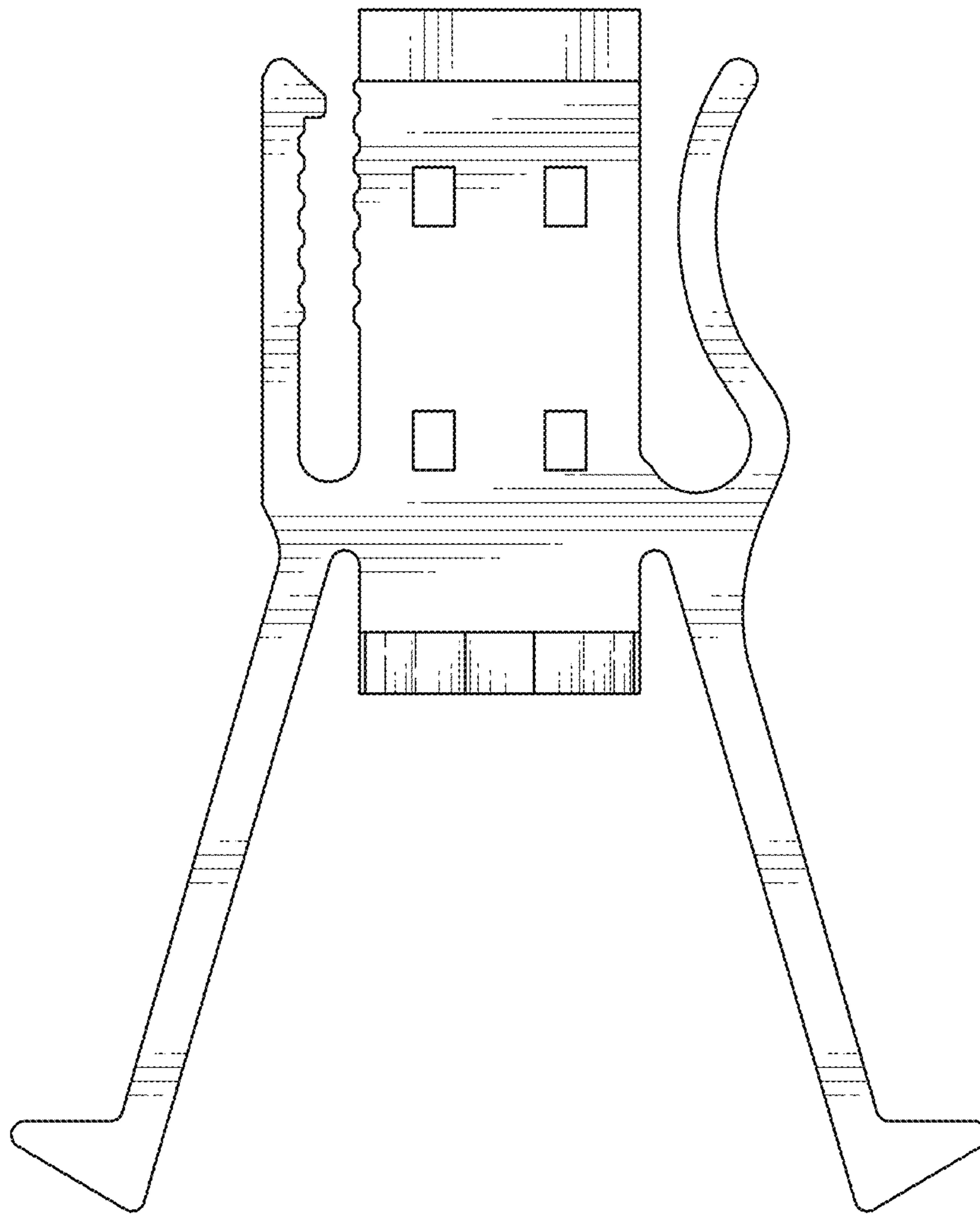


Figure 6

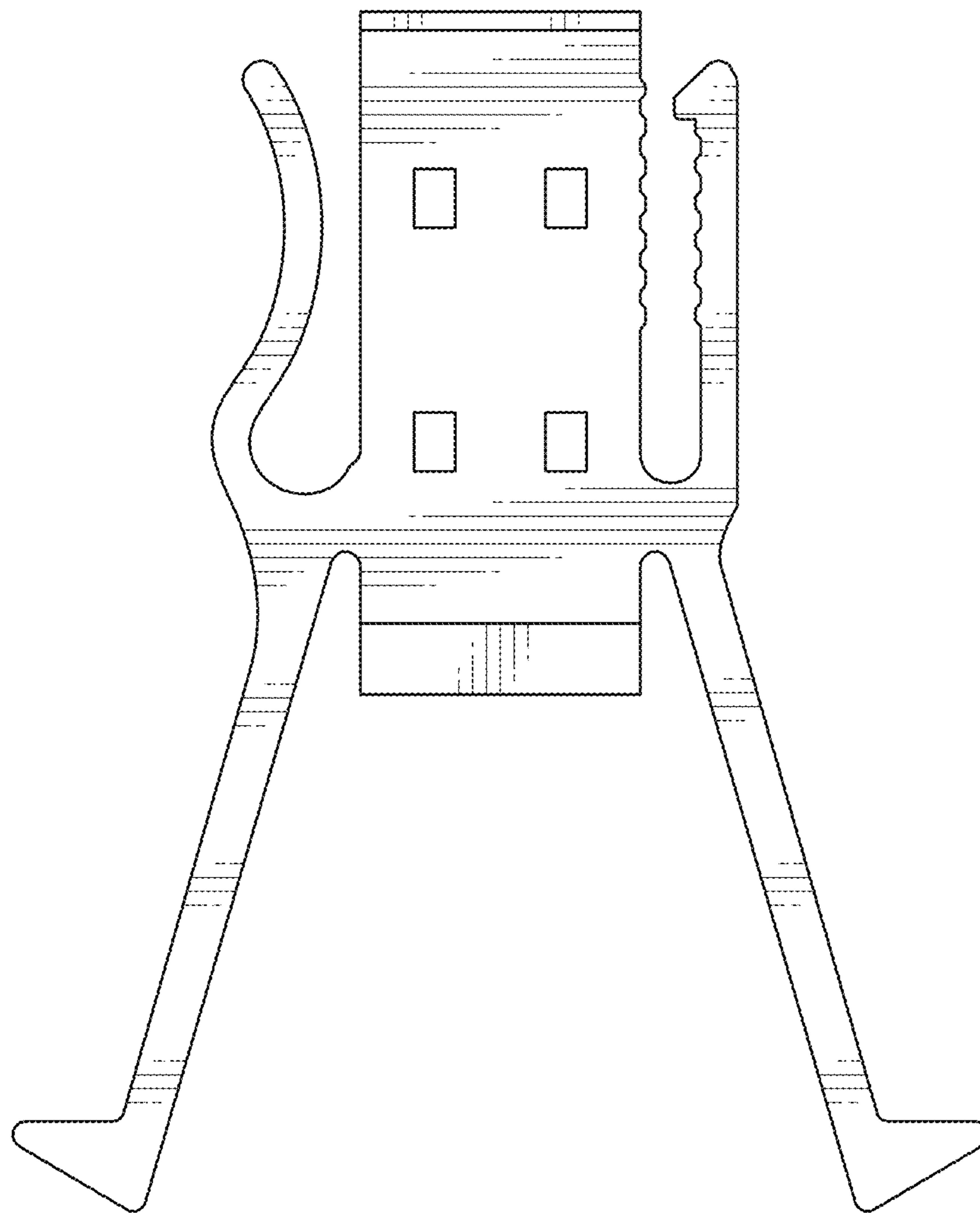


Figure 7

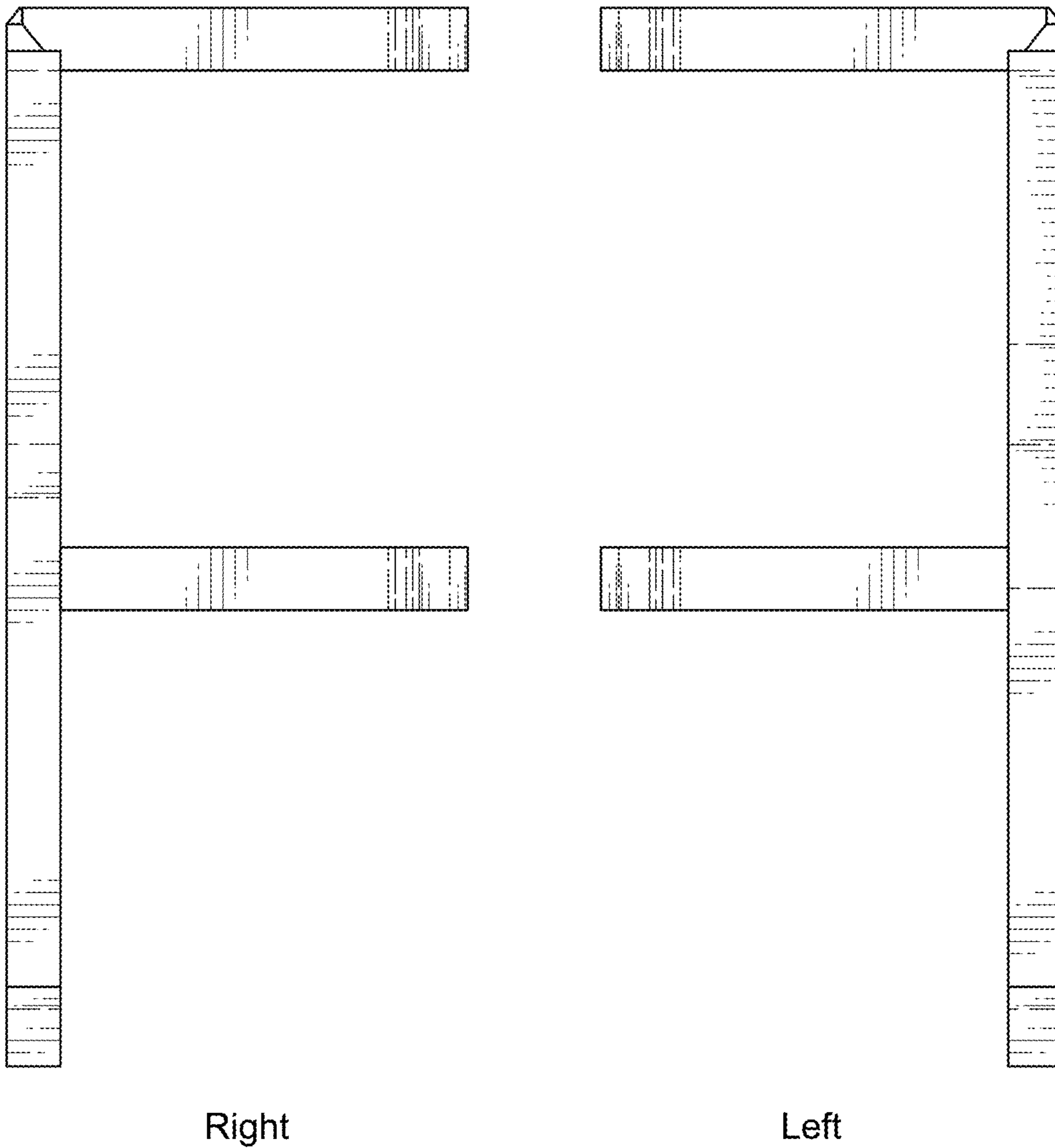
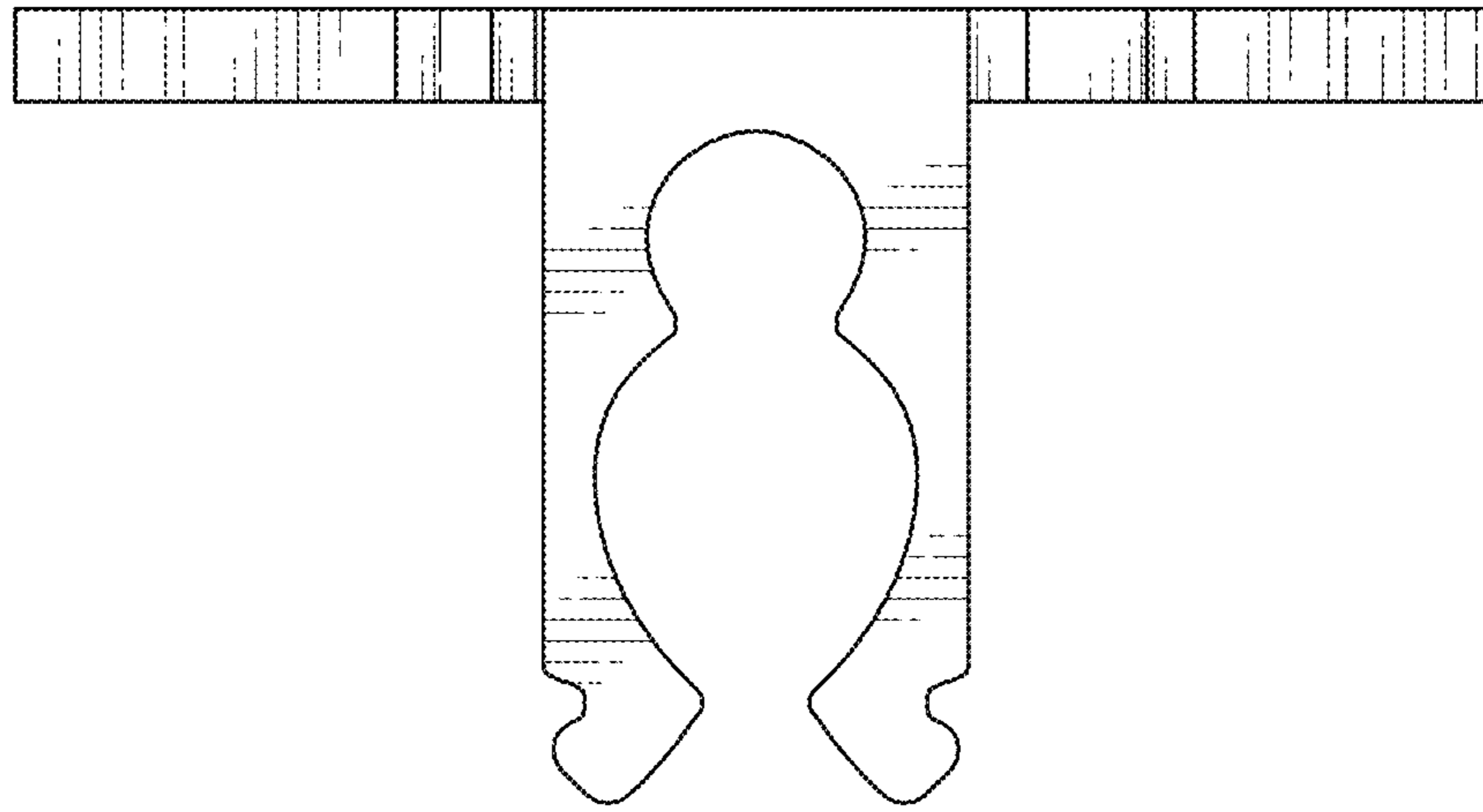
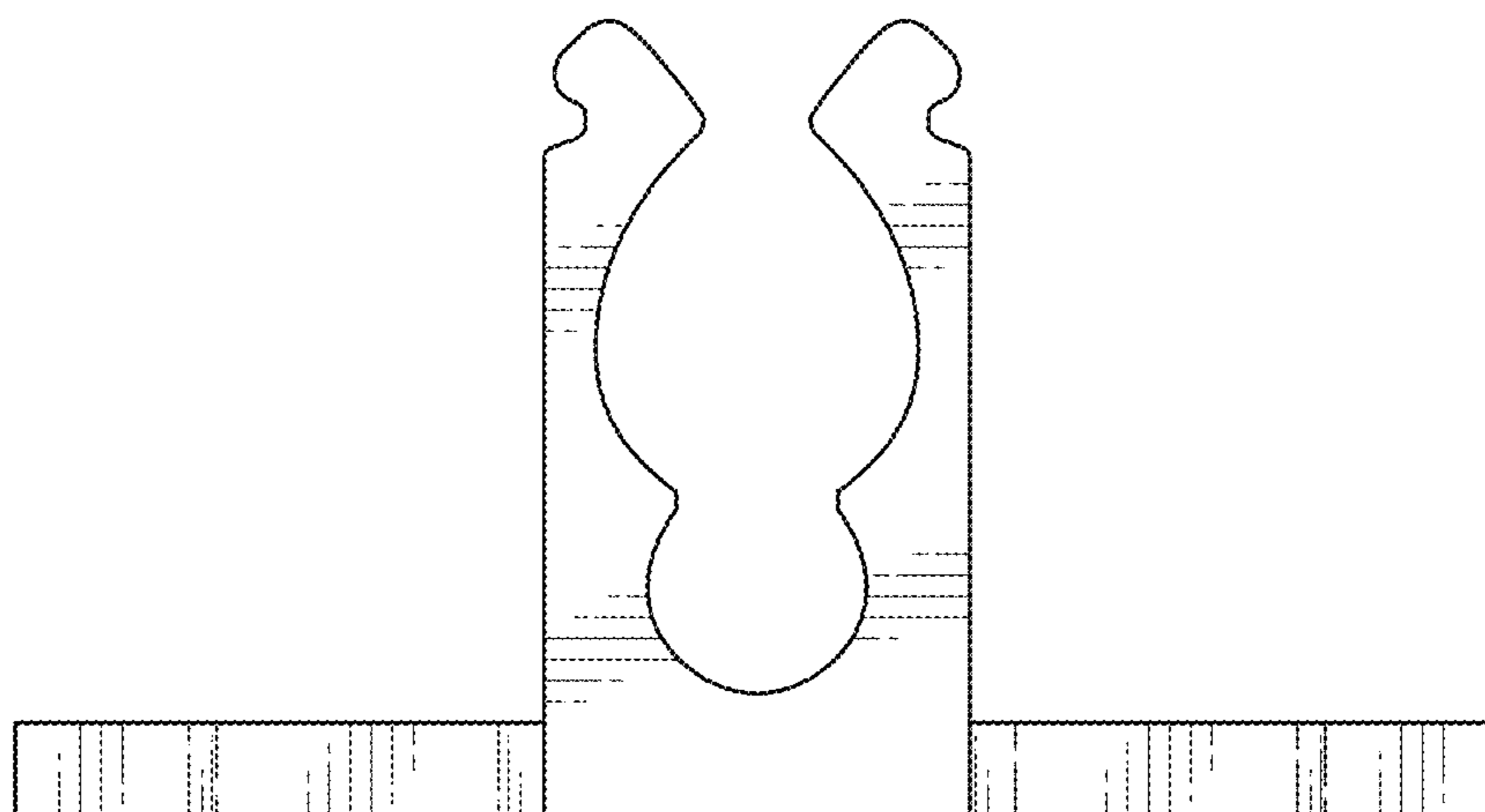


Figure 8



Front



Back

Figure 9

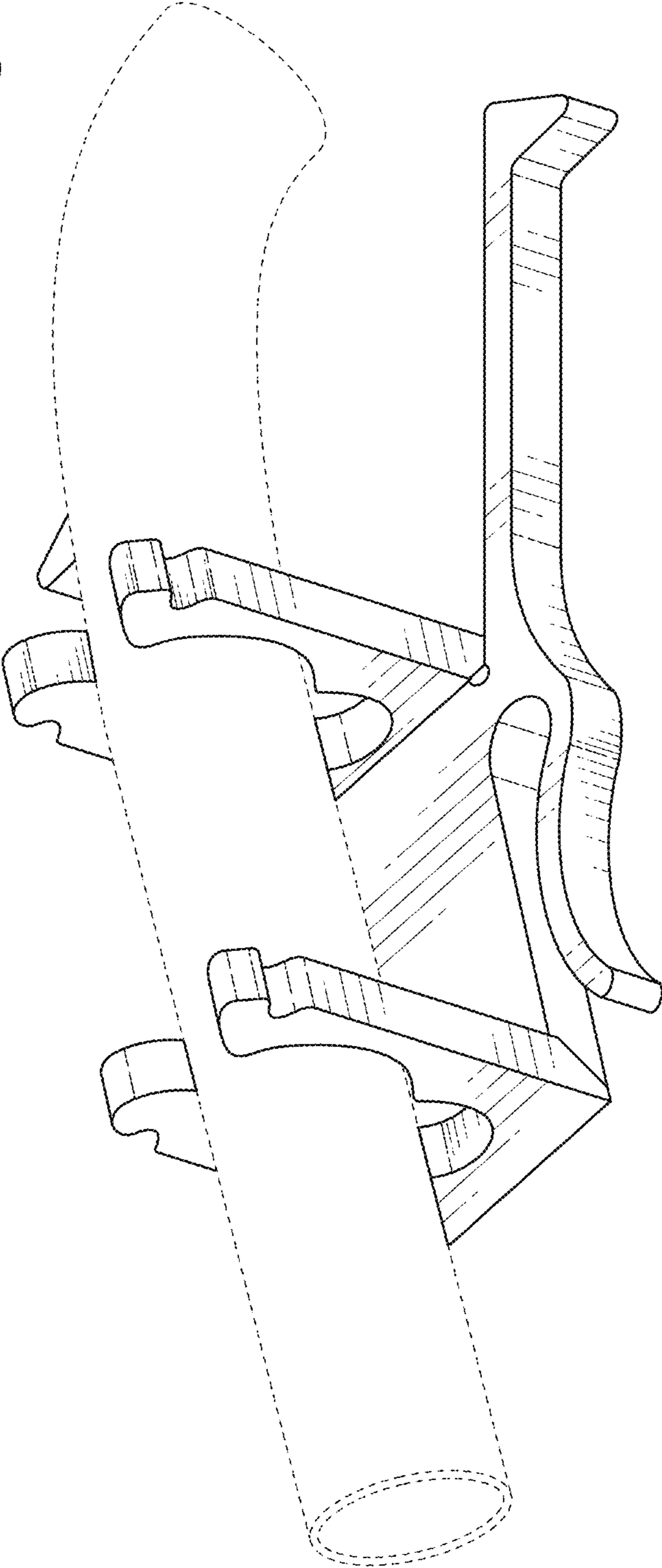


Figure 10

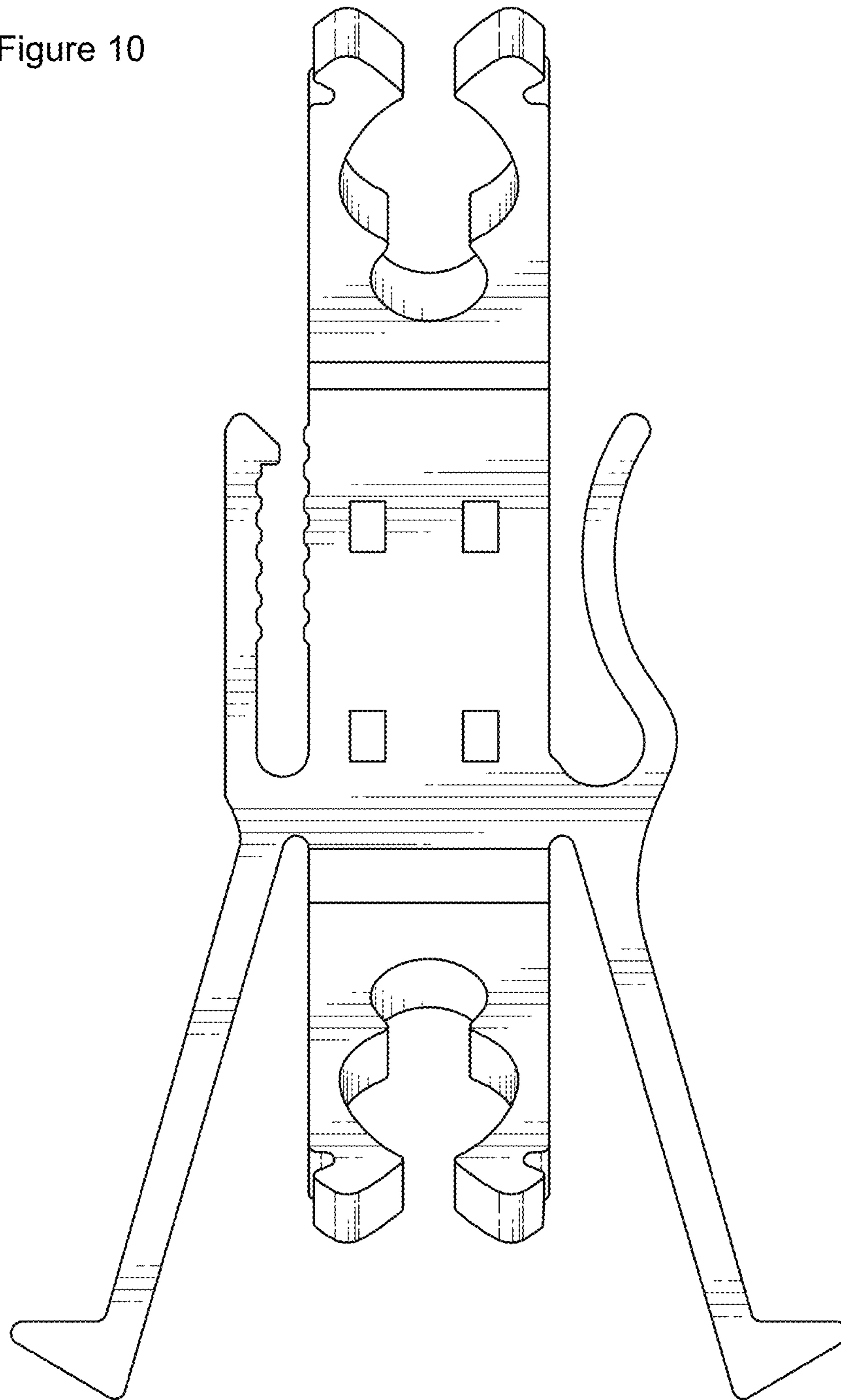


Figure 11

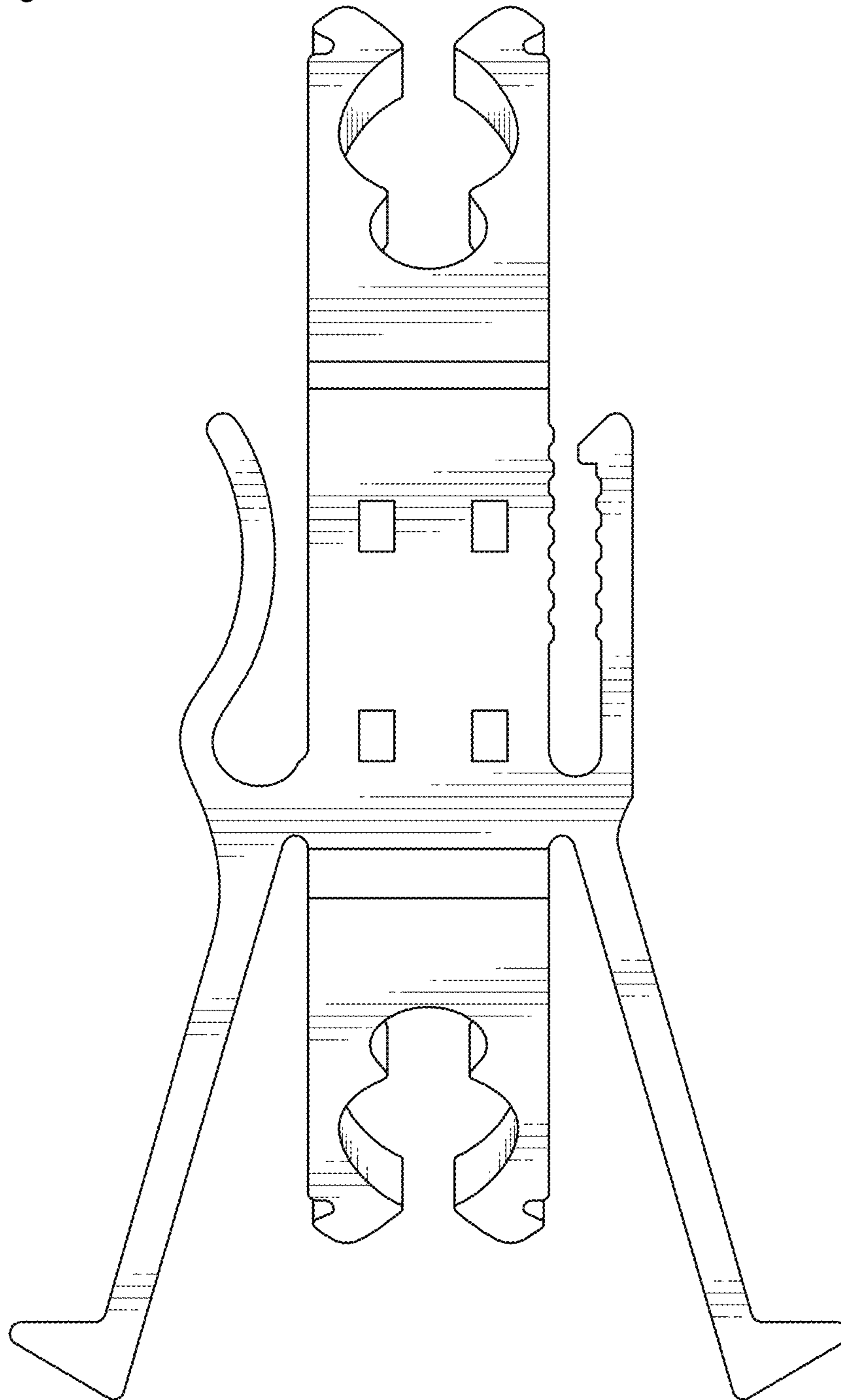
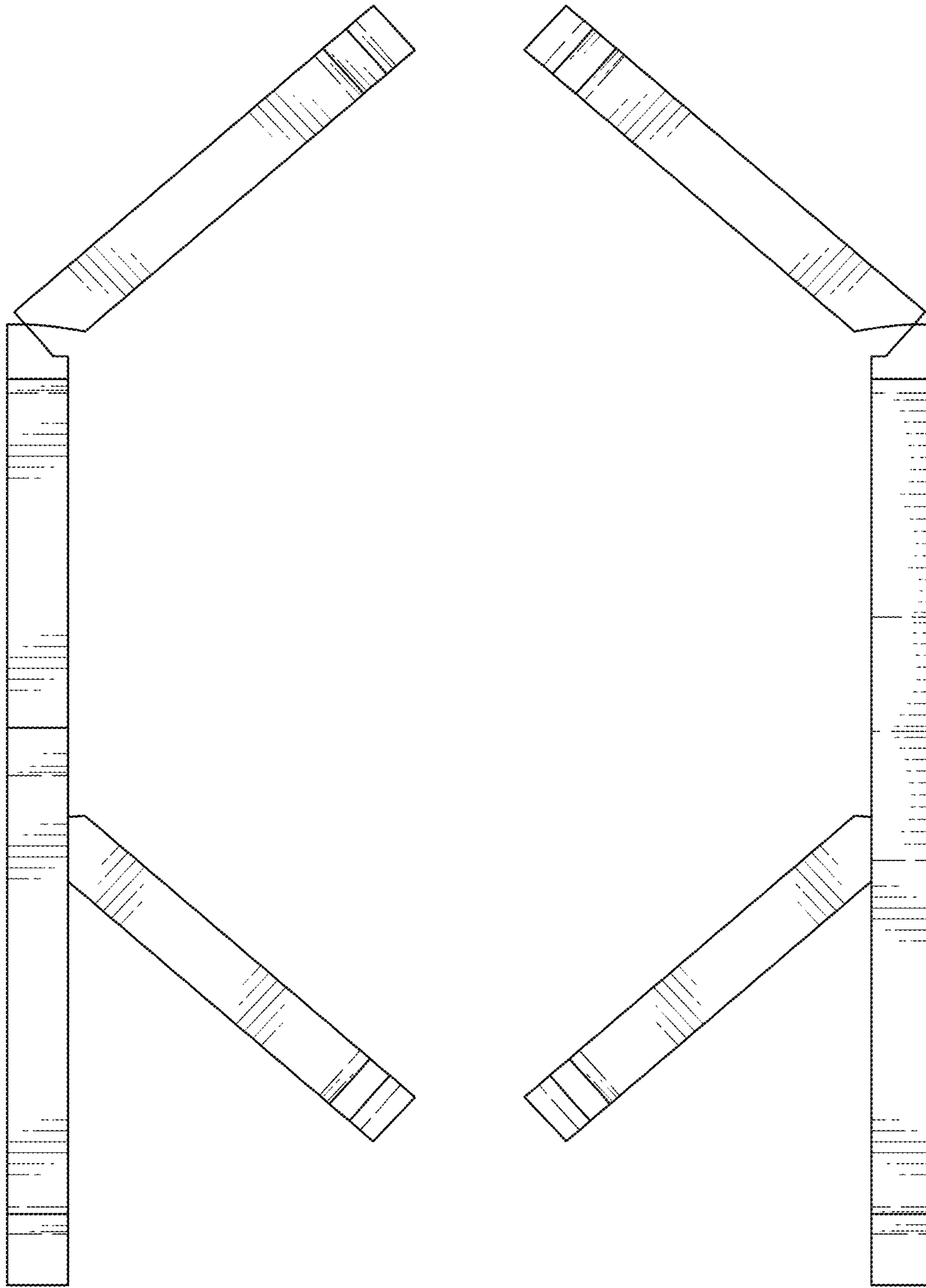


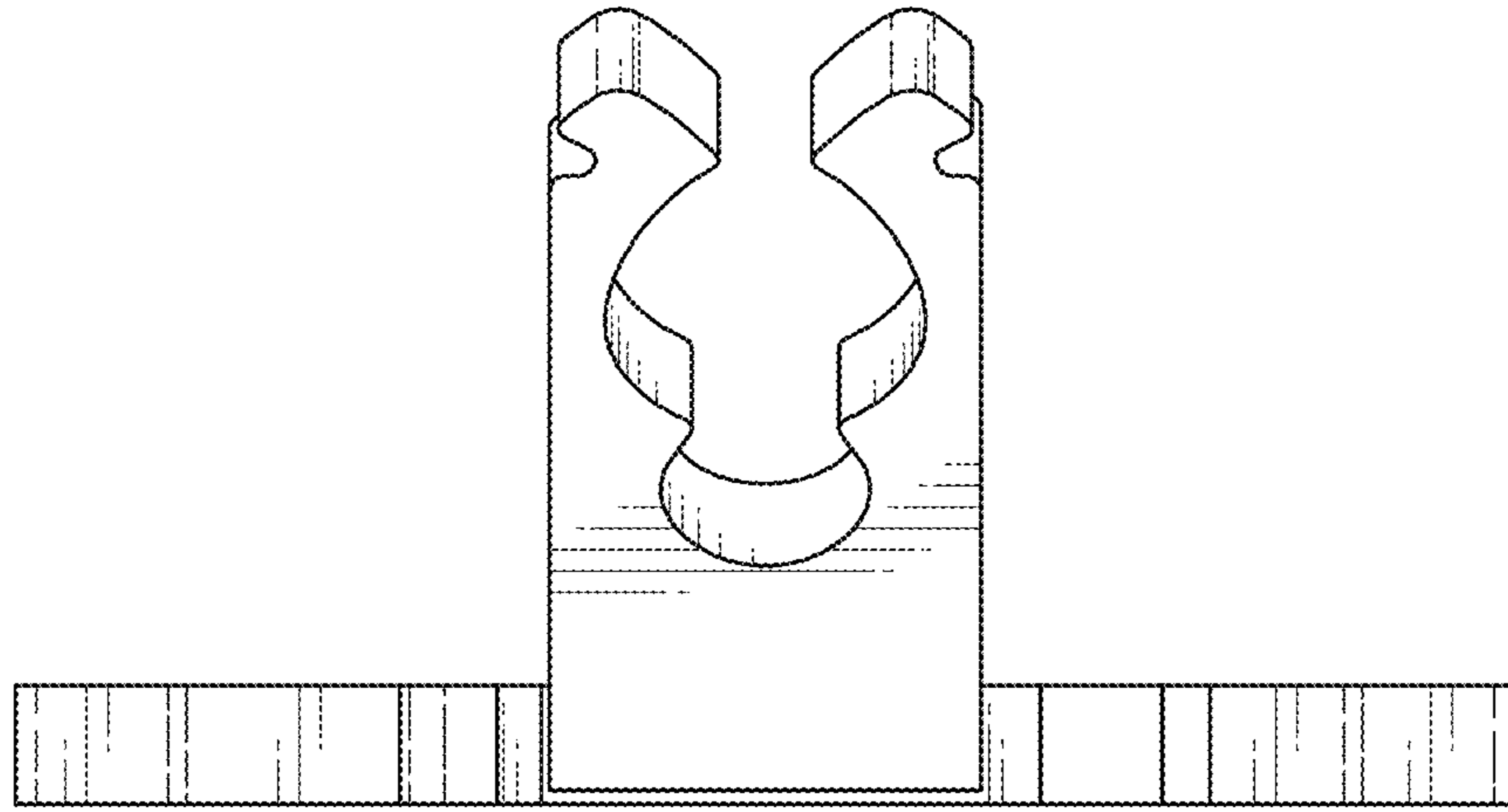
Figure 12



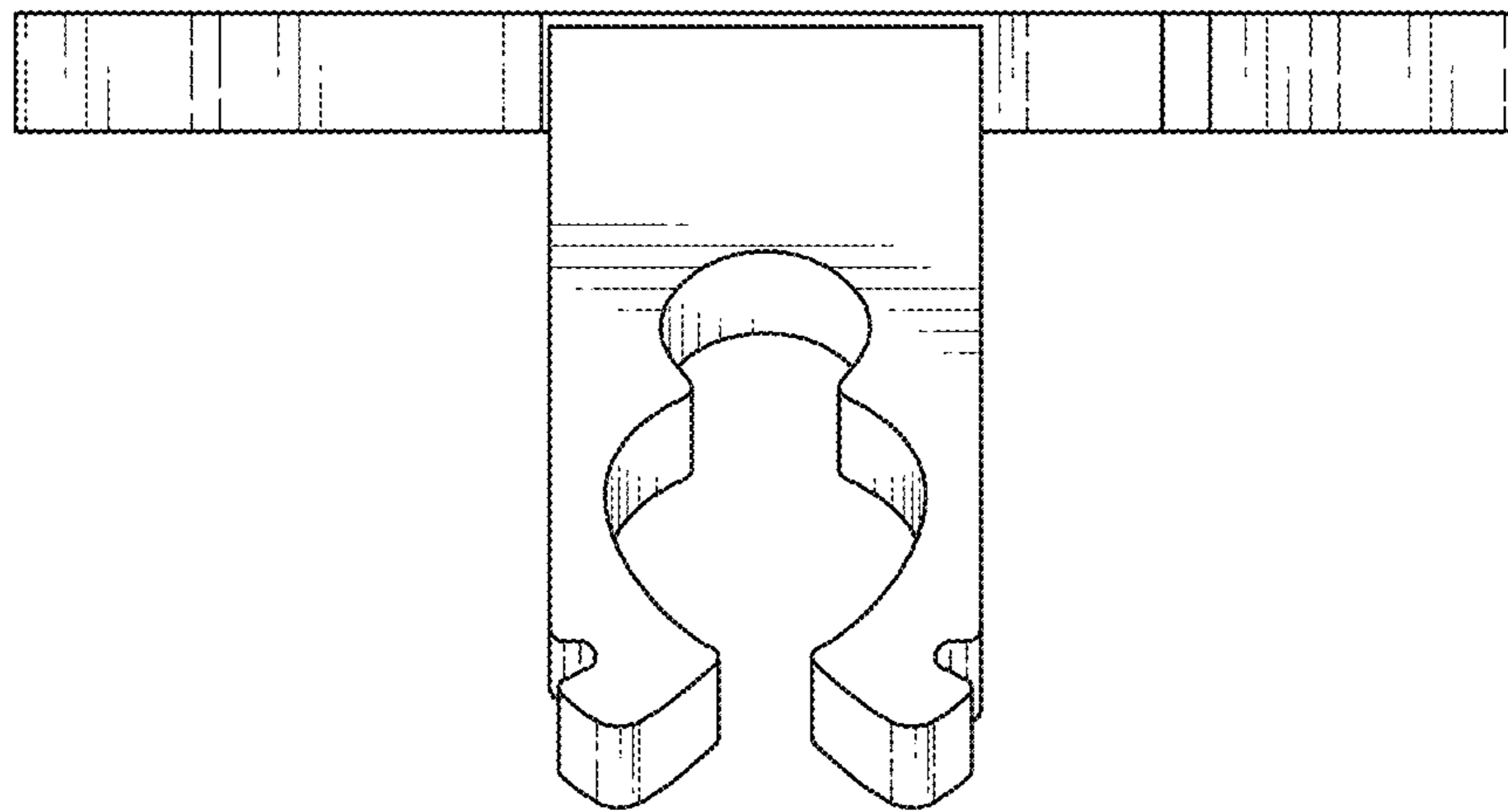
Right

Left

Figure 13



Front



Back