

US00D815734S

(12) **United States Design Patent** (10) **Patent No.:** **US D815,734 S**
Burke (45) **Date of Patent:** **** *Apr. 17, 2018**

(54) **MEDICINE APPLICATOR**

- (71) Applicant: **FERRING B.V.**, Hoofddorp (NL)
- (72) Inventor: **John Edward Burke**, Cambridge (GB)
- (73) Assignee: **Ferring B. V.**, Hoofddorp (NL)
- (*) Notice: This patent is subject to a terminal disclaimer.
- (**) Term: **15 Years**
- (21) Appl. No.: **29/527,628**
- (22) Filed: **May 20, 2015**

Related U.S. Application Data

- (62) Division of application No. 29/409,618, filed on Dec. 27, 2011, now Pat. No. Des. 737,432.

(30) **Foreign Application Priority Data**

- Jun. 27, 2011 (EM) 001883372-0001
- Jun. 27, 2011 (EM) 001883372-0002

(Continued)

- (51) **LOC (11) Cl.** **24-02**

- (52) **U.S. Cl.**
USPC **D24/119**

(58) **Field of Classification Search**

- USPC D24/119, 112-114, 127-131, 133, 186;
606/181, 185; 604/264, 272, 115, 232,

(Continued)

(56) **References Cited**

U.S. PATENT DOCUMENTS

- 5,645,534 A * 7/1997 Chanoch A61M 5/31535
206/534
- 5,921,966 A * 7/1999 Bendek A61M 5/24
604/207

(Continued)

OTHER PUBLICATIONS

U.S. Appl. No. 61/501,292, filed Jun. 27, 2011.

Primary Examiner — David G Muller

Assistant Examiner — Nathan M Johnston

(74) *Attorney, Agent, or Firm* — Fross Zelnick Lehrman & Zissu, P.C.; Lawrence E. Apolzon, Esq.

(57) **CLAIM**

The ornamental design for a medicine applicator, as shown and described.

DESCRIPTION

FIG. 1 is a perspective view of the medicine applicator of the present invention with a medicine bottle.

FIG. 2 is a perspective view of the medicine applicator of FIG. 1 with the lid removed.

FIG. 3 is a front view of the medicine applicator of FIG. 1.

FIG. 4 is a rear view of the medicine applicator of FIG. 1.

FIG. 5 is a left side view of the medicine applicator of FIG. 1.

FIG. 6 is a right side view of the medicine applicator of FIG. 1.

FIG. 7 is a top view on the medicine applicator of FIG. 1 with the lid on.

FIG. 8 is a bottom view of the medicine applicator of FIG. 1 with a medicine bottle.

FIG. 9 is a top view of the medicine applicator of FIG. 1 with the lid off.

FIG. 10 is a right side perspective view of the lid of the medicine applicator of FIG. 1.

FIG. 11 is a perspective view of the bottom of the lid of the medicine applicator of FIG. 1.

FIG. 12 is another perspective view of the bottom of the lid of the medicine applicator of FIG. 1.

FIG. 13 is a front view of the lid of the medicine applicator of FIG. 1.

FIG. 14 is a rear view of the lid of the medicine applicator of FIG. 1.

FIG. 15 is a left side view of the lid of the medicine applicator of FIG. 1.

FIG. 16 is a right side view of the lid of the medicine applicator of FIG. 1.

FIG. 17 is a top view of the lid of the medicine applicator of FIG. 1 with the lid on.

FIG. 18 is a bottom view of the lid of the medicine applicator of FIG. 1 with the lid on.

FIG. 19 is a top view of the lid of the medicine applicator of FIG. 1 with the lid off.

FIG. 20 is a right side perspective view of the lid of the medicine applicator of FIG. 1 with the lid off.

FIG. 21 is a left side perspective view of the lid of the medicine applicator of FIG. 1 with the lid off.

FIG. 22 is a front perspective view of the lid of the medicine applicator of FIG. 1 with the lid off.

FIG. 23 is a rear perspective view of the lid of the medicine applicator of FIG. 1 with the lid off.

FIG. 24 is a top perspective view of the lid of the medicine applicator of FIG. 1 with the lid off.

FIG. 25 is a bottom perspective view of the lid of the medicine applicator of FIG. 1 with the lid off.

FIG. 26 is a side perspective view of the lid of the medicine applicator of FIG. 1 with the lid off.

FIG. 27 is another side perspective view of the lid of the medicine applicator of FIG. 1 with the lid off.

(Continued)

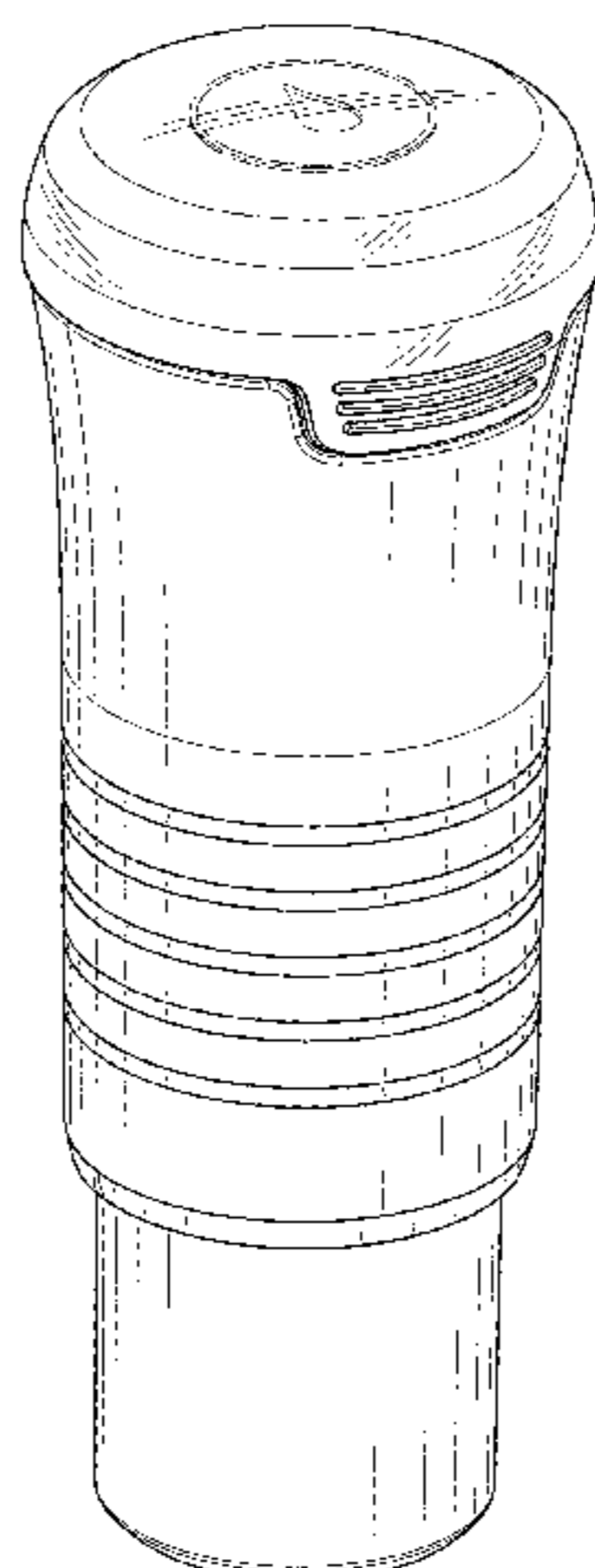


FIG. 16 is a right side view of the lid of the medicine applicator of FIG. 1.

FIG. 17 is a top view of the lid of the medicine applicator of the present invention; and,

FIG. 18 is a bottom view of the lid of the medicine applicator of the present invention.

The broken line showing of a portion of the bottom of the medicine applicator forms no part of the claimed design.

1 Claim, 11 Drawing Sheets

(30) **Foreign Application Priority Data**

Jun. 27, 2011 (EM) 001883372-0003
 Jun. 27, 2011 (EM) 001883372-0004

(58) **Field of Classification Search**

USPC .. 604/187, 158, 164.08, 192, 263, 163, 181,
 604/184, 198, 227; 600/101, 139, 143;
 128/200.24, 207.14, 207.15;
 D19/115-123, 177; D9/723, 727, 729,
 D9/453, 449, 447, 440, 436, 435, 434,
 D9/516, 547, 549, 560, 572, 573;
 D7/398, 397, 608, 602, 619.1, 629
 CPC A61M 5/3156; A61M 5/31591; A61M
 5/3155; A61M 5/3157; A61M 5/24;
 A61M 5/31501; A61M 5/31551; A61M
 5/31585; A61M 2005/2407; A61M
 2005/2492; A61M 2205/581; A61M
 2205/582

See application file for complete search history.

(56) **References Cited**

U.S. PATENT DOCUMENTS

6,001,082 A * 12/1999 Dair A61M 5/31525
 604/187
 D479,603 S * 9/2003 Tyce D19/164

D501,253 S * 1/2005 Bainton D19/164
 D503,797 S * 4/2005 Tyce D24/114
 D519,355 S 4/2006 Bobjer et al.
 D613,399 S 4/2010 Hunter et al.
 D655,001 S 2/2012 Becker et al.
 D677,382 S 3/2013 Foley et al.
 D687,543 S * 8/2013 Pala D24/113
 D688,791 S * 8/2013 Guarraia D24/113
 8,544,684 B2 10/2013 Perez et al.
 D696,773 S * 12/2013 Schneider D24/113
 D703,314 S * 4/2014 Schneider D24/113
 8,684,968 B2 4/2014 Genosar
 D708,317 S 7/2014 Schneider et al.
 D714,932 S * 10/2014 Hall D24/112
 D717,940 S * 11/2014 Magome D24/113
 D722,158 S * 2/2015 Magome D24/113
 9,005,171 B2 * 4/2015 Jones A61M 5/24
 604/189
 9,095,658 B2 * 8/2015 Wieselblad A61M 5/31551
 9,101,722 B2 * 8/2015 Moller A61M 5/31536
 9,155,842 B2 * 10/2015 Matthias A61M 5/31525
 D749,719 S * 2/2016 Sanders D24/114
 2007/0293883 A1 12/2007 Horie et al.
 2008/0101850 A1 5/2008 Wojcik et al.
 2011/0071471 A1 * 3/2011 Dibiasi A61M 5/3202
 604/111
 2012/0041417 A1 * 2/2012 Searle A61M 5/002
 604/506
 2013/0023830 A1 * 1/2013 Bode A61M 5/24
 604/192
 2013/0274668 A1 10/2013 Barrow-Williams et al.
 2014/0012205 A1 * 1/2014 Jugl A61M 5/24
 604/192
 2014/0221943 A1 8/2014 Carrara et al.
 2014/0263425 A1 9/2014 Akdogan et al.
 2015/0032059 A1 * 1/2015 Allerdings G06F 19/3468
 604/189
 2015/0038916 A1 * 2/2015 Moller A61M 5/31525
 604/211
 2015/0057619 A1 * 2/2015 Osman A61M 5/24
 604/189
 2015/0202377 A1 * 7/2015 Haupt A61M 5/24
 604/207

* cited by examiner

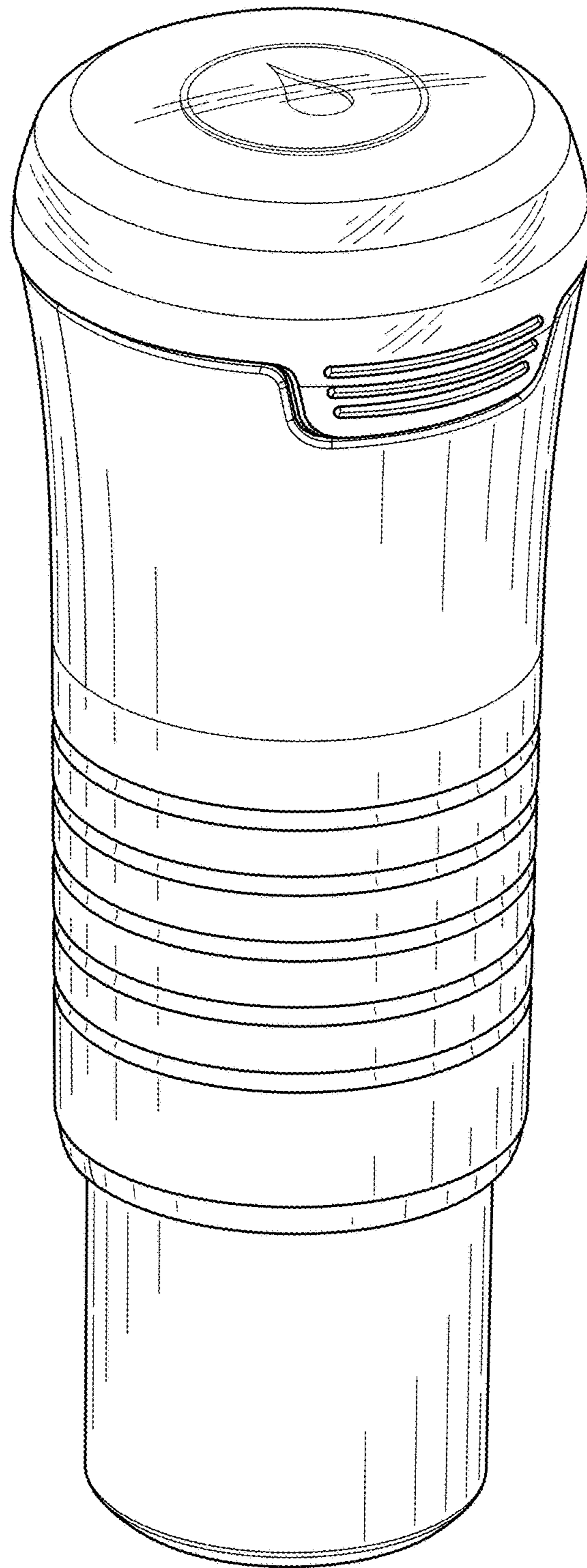


FIG. 1

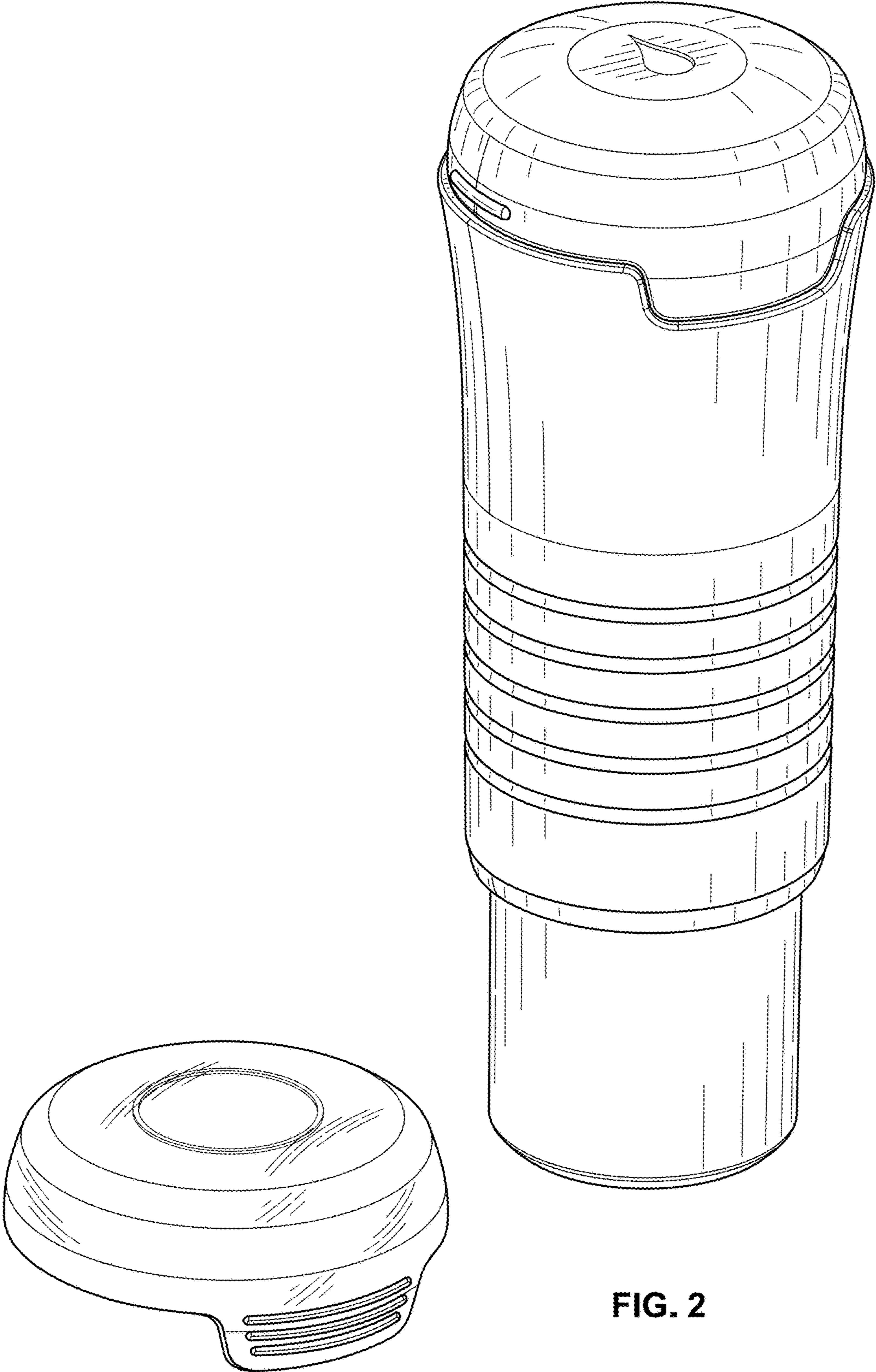


FIG. 2

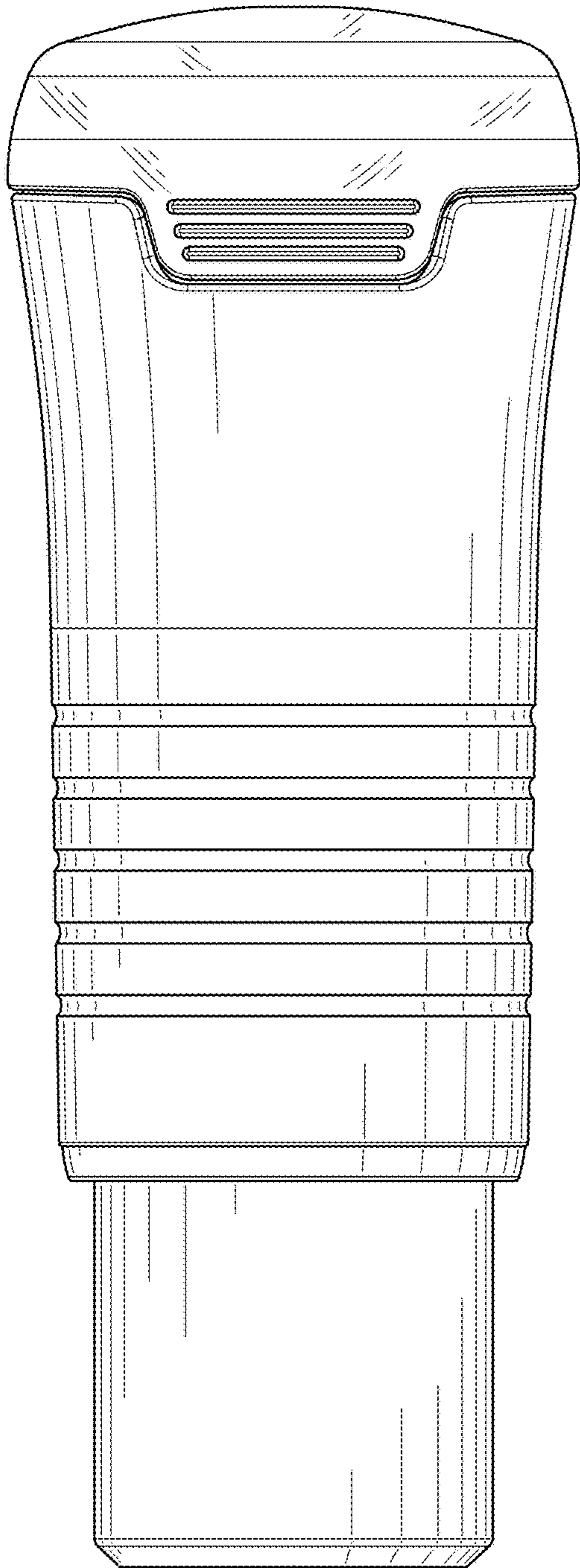


FIG. 3

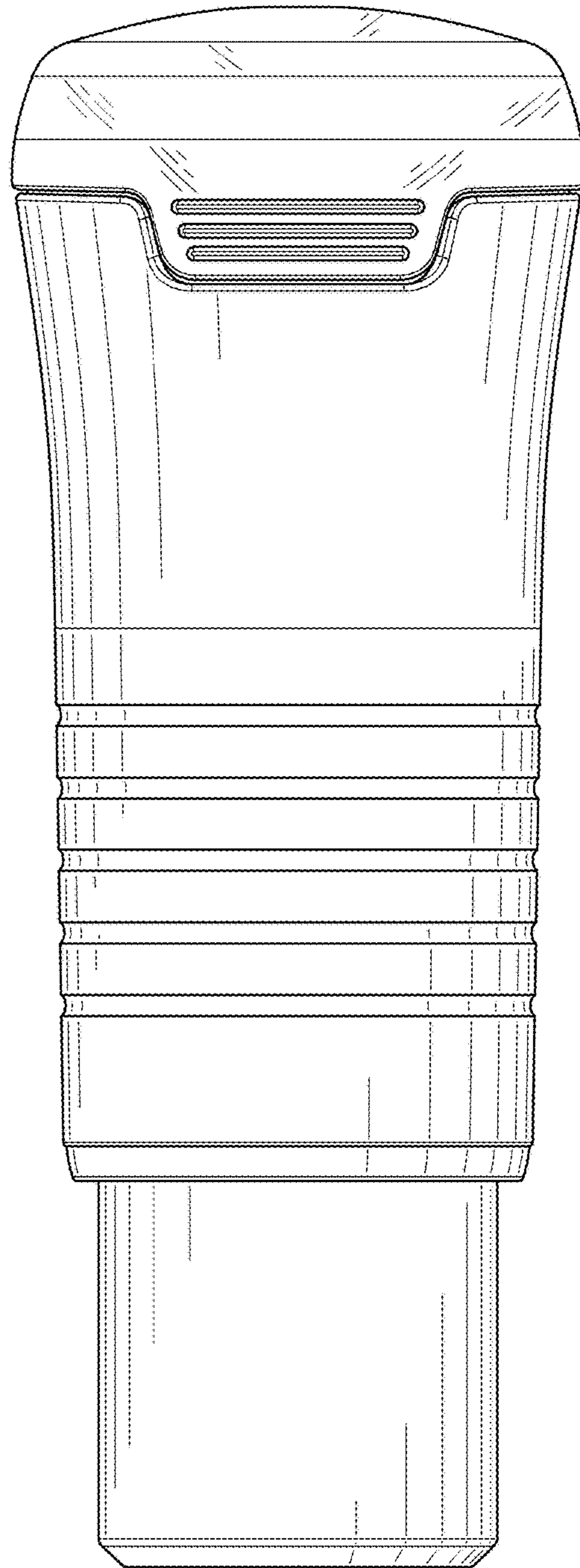


FIG. 4

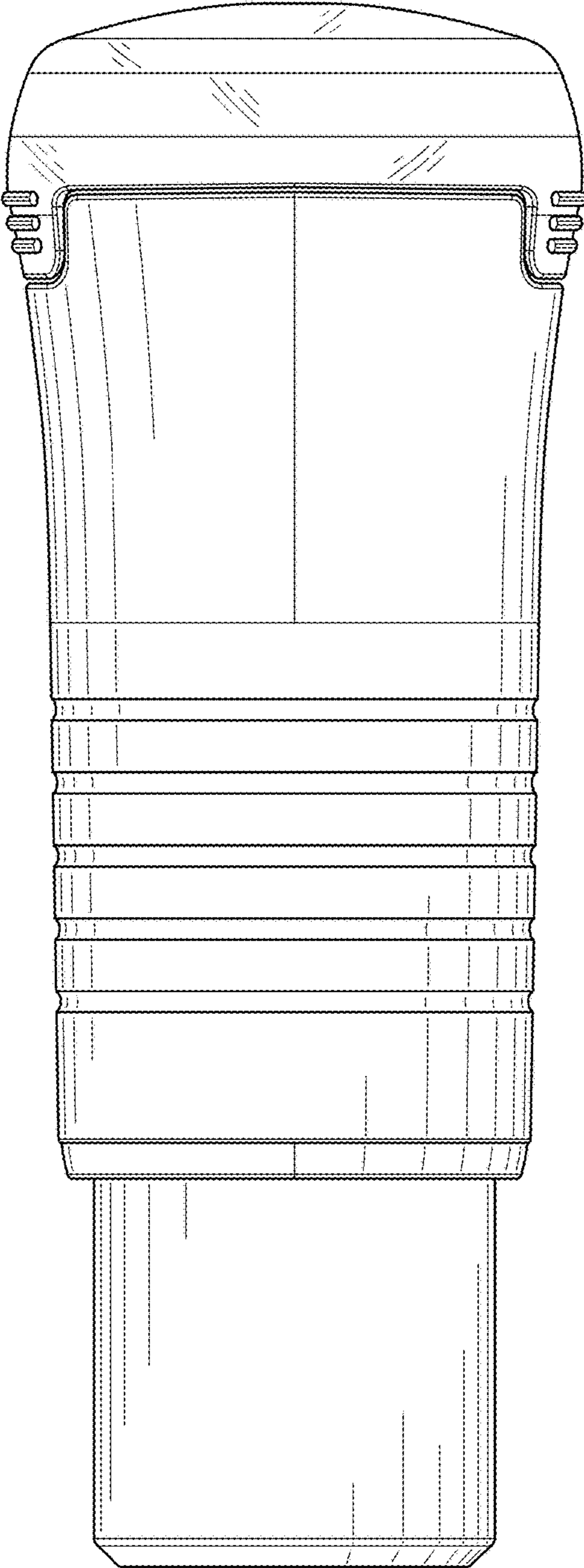


FIG. 5

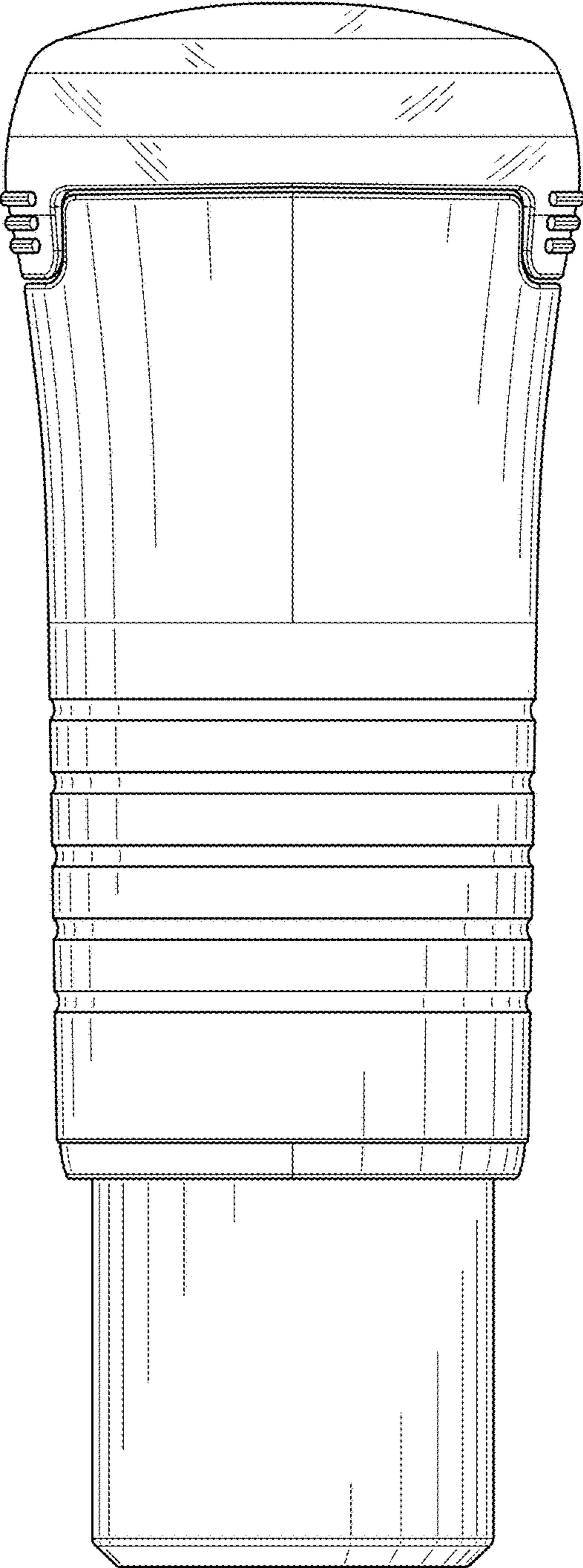


FIG. 6

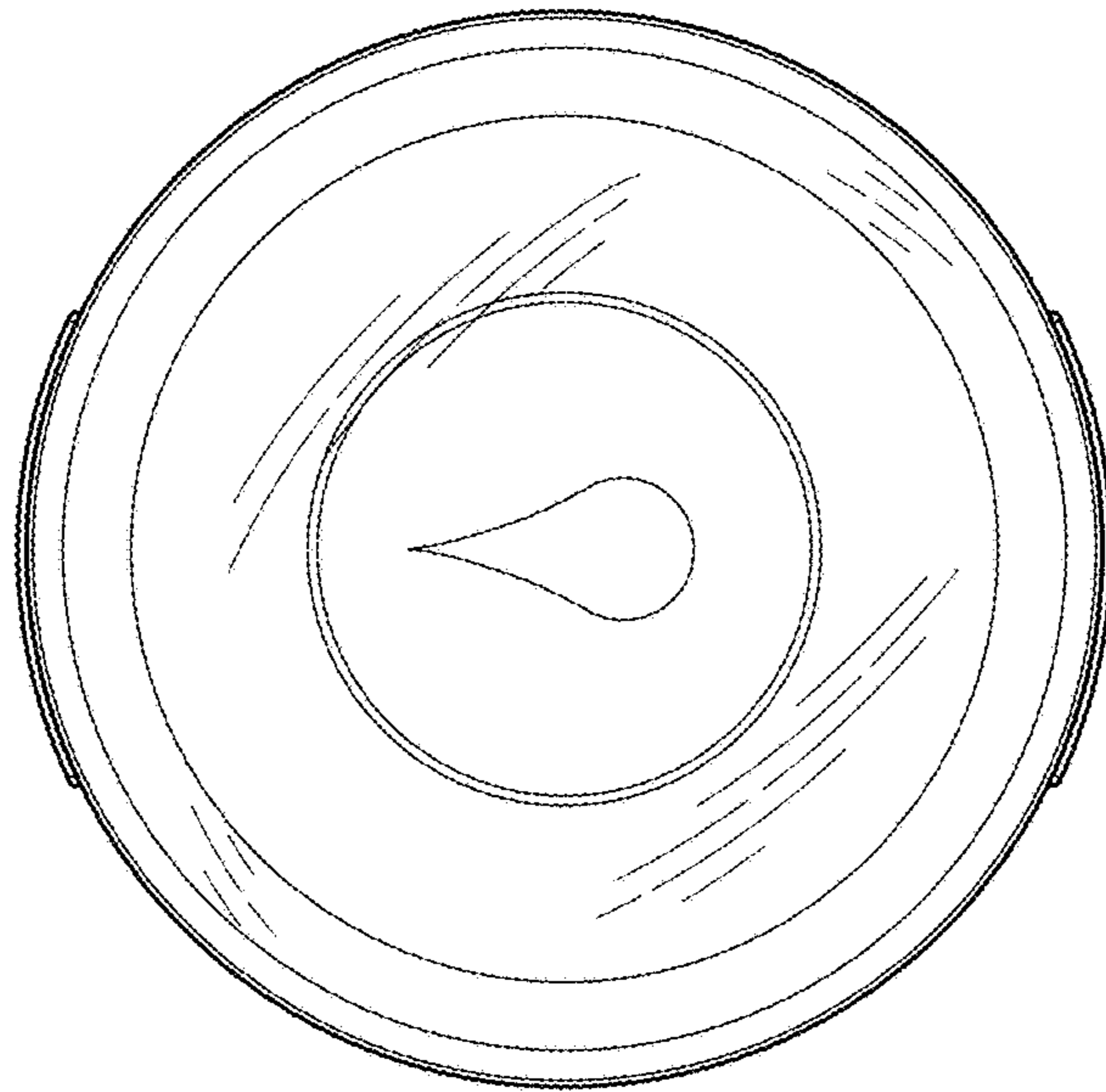


FIG. 7

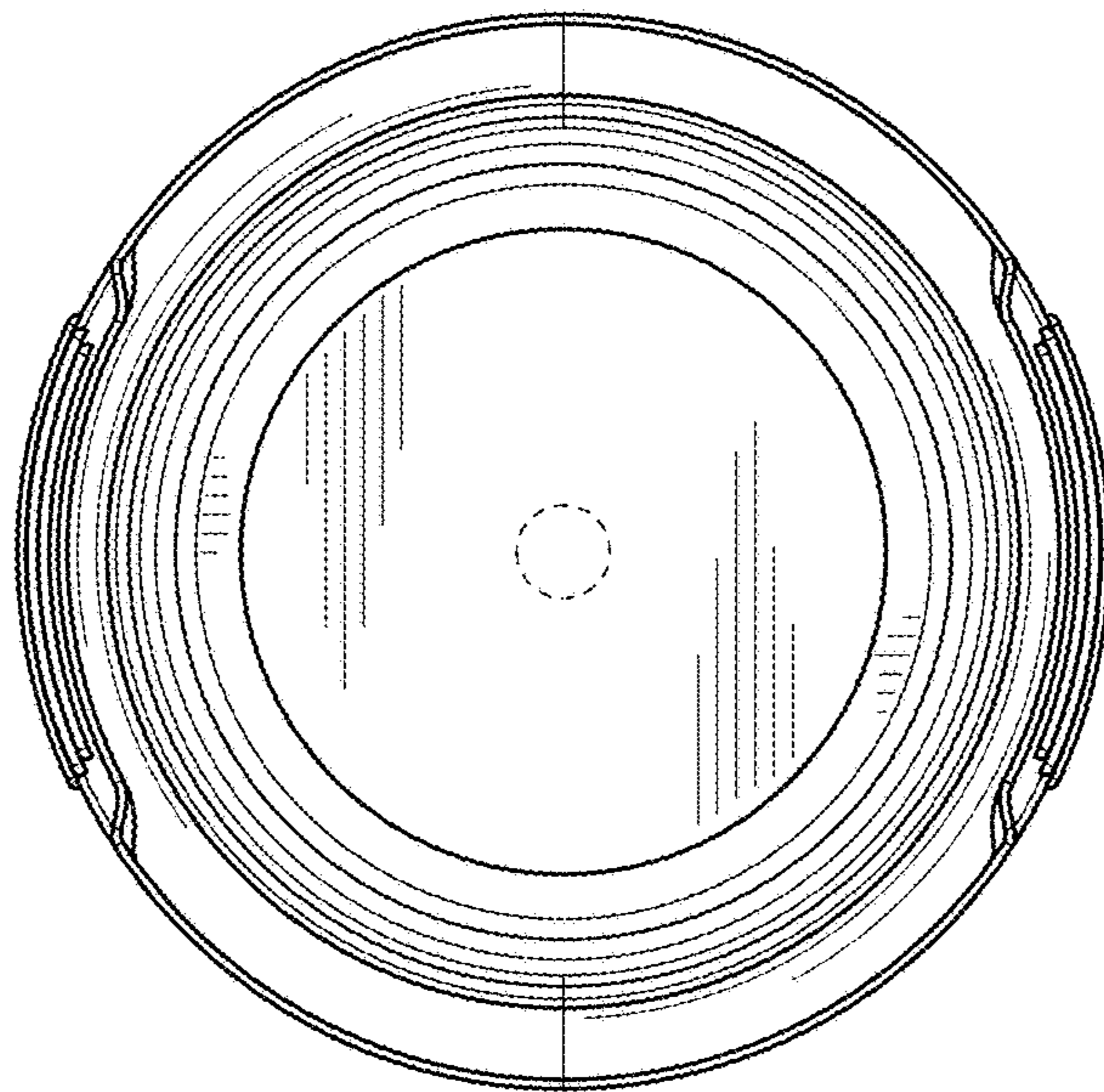


FIG. 8

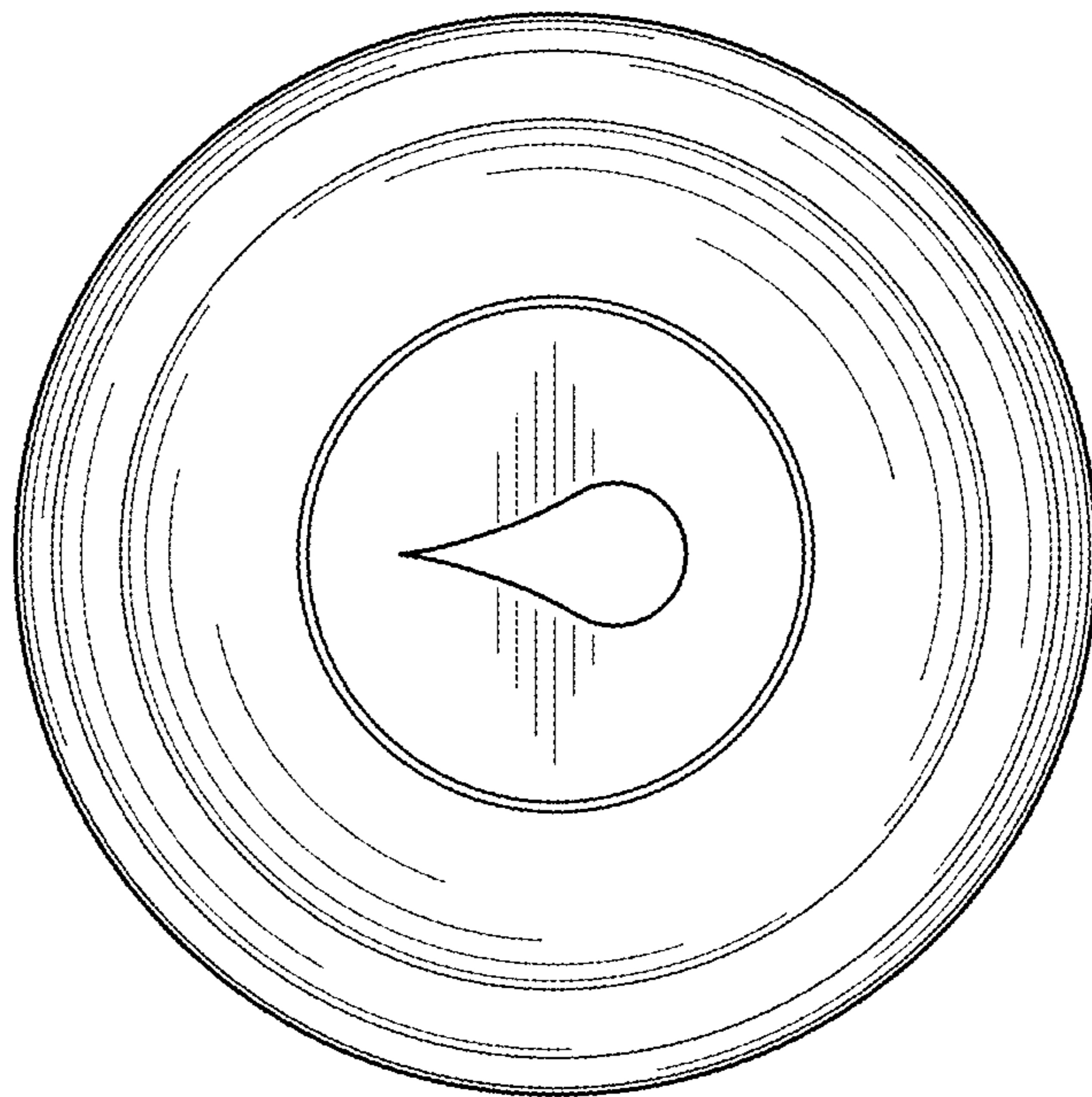


FIG. 9

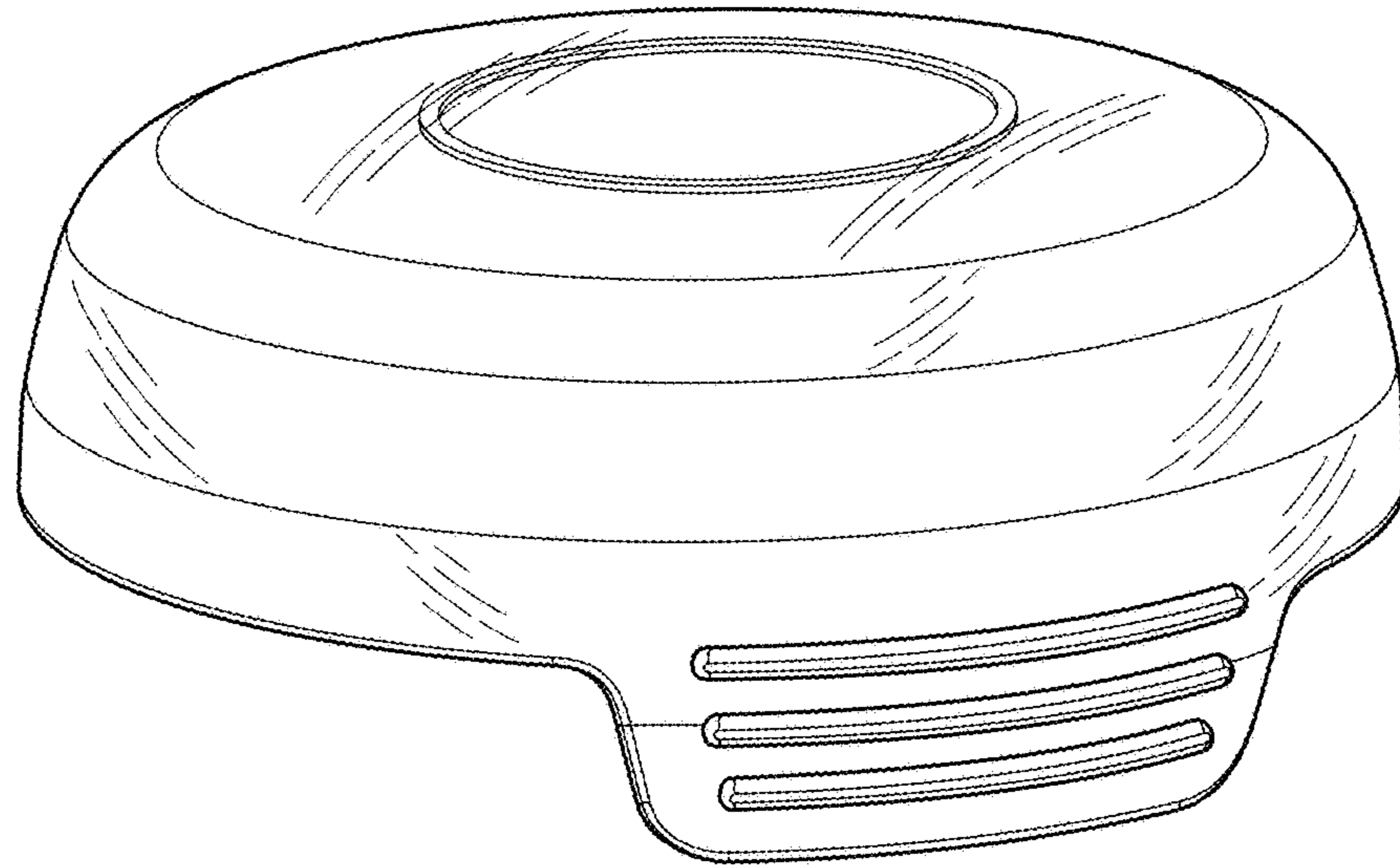


FIG. 10

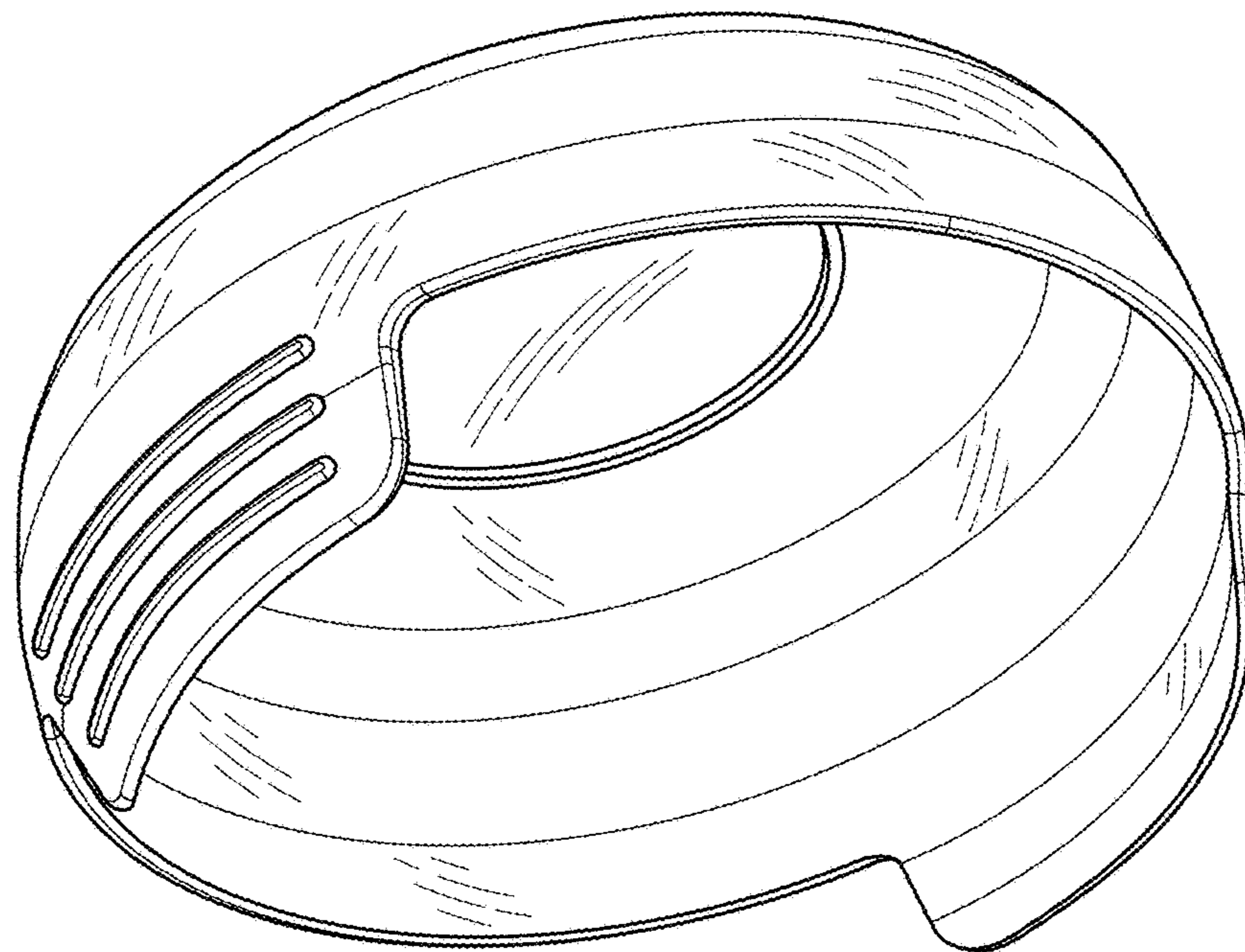


FIG. 11

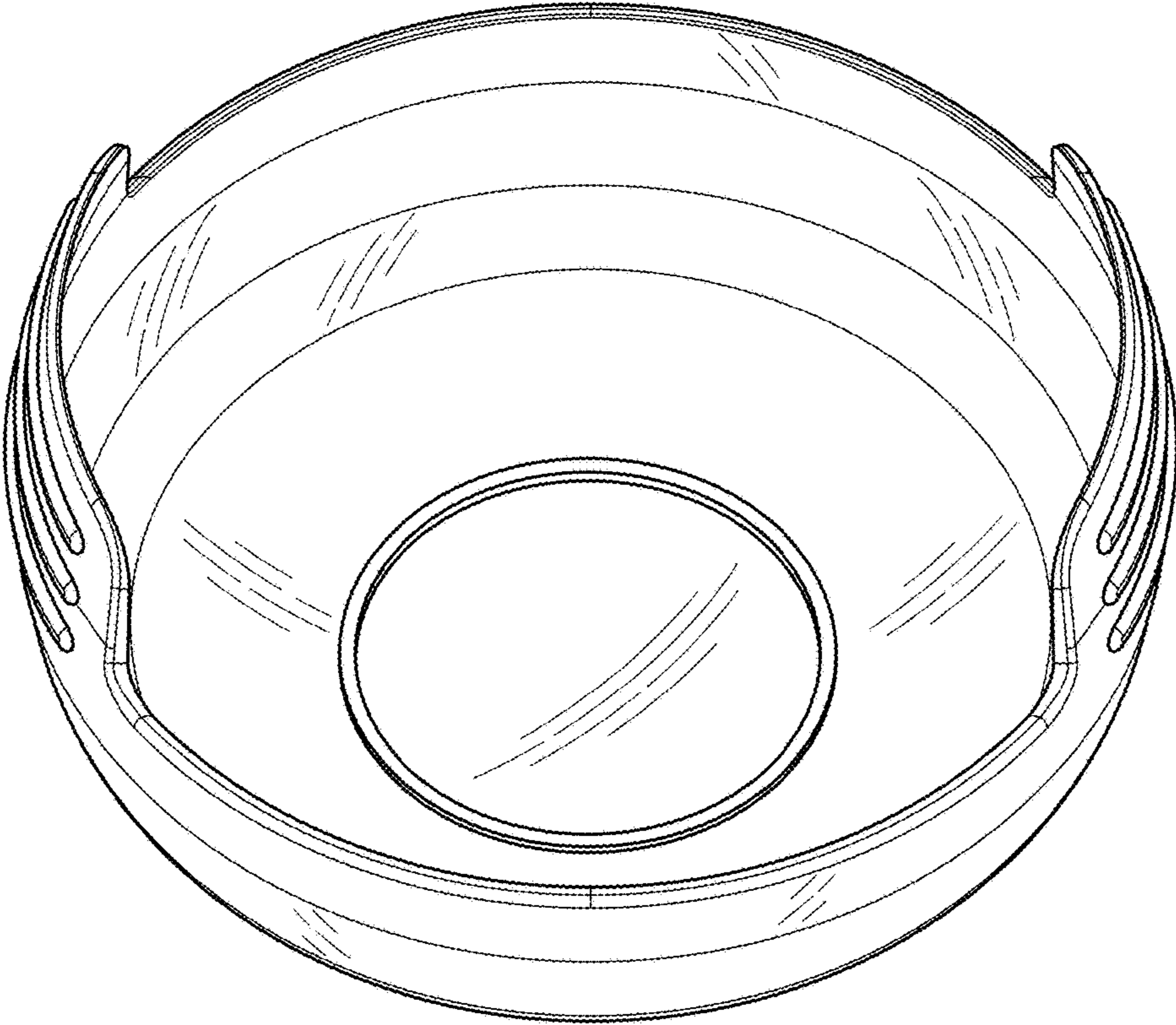


FIG. 12

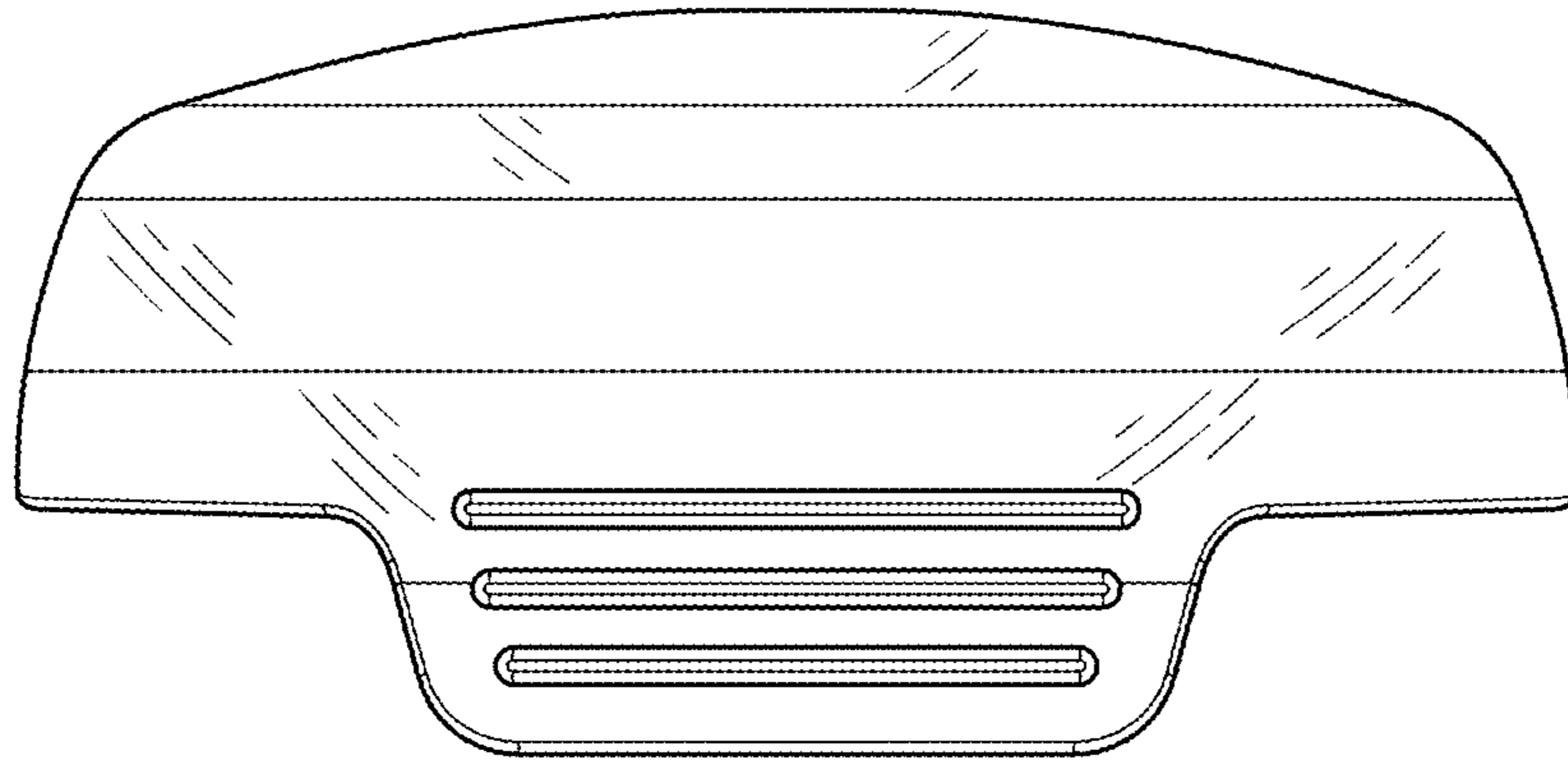


FIG. 13

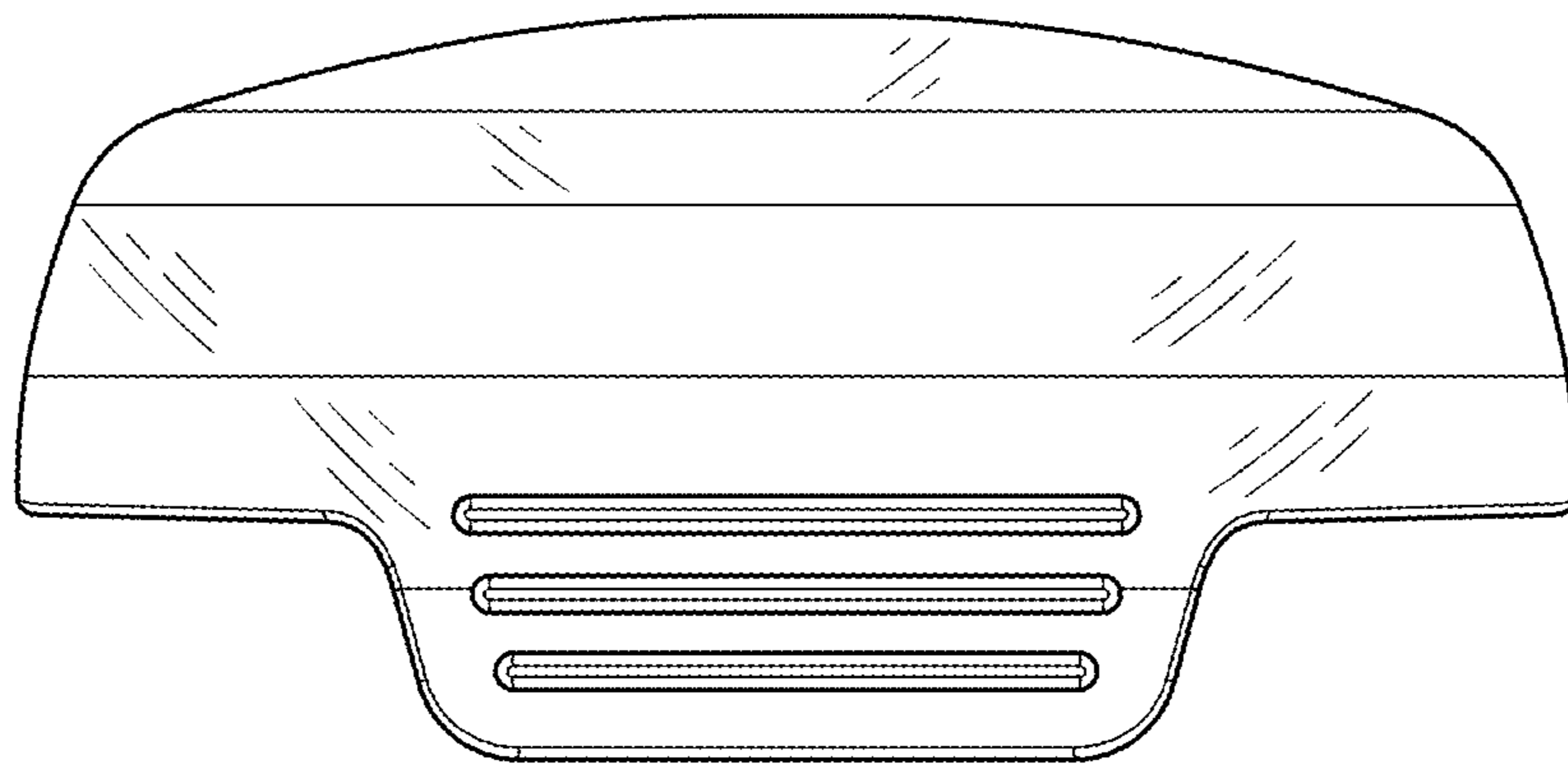


FIG. 14

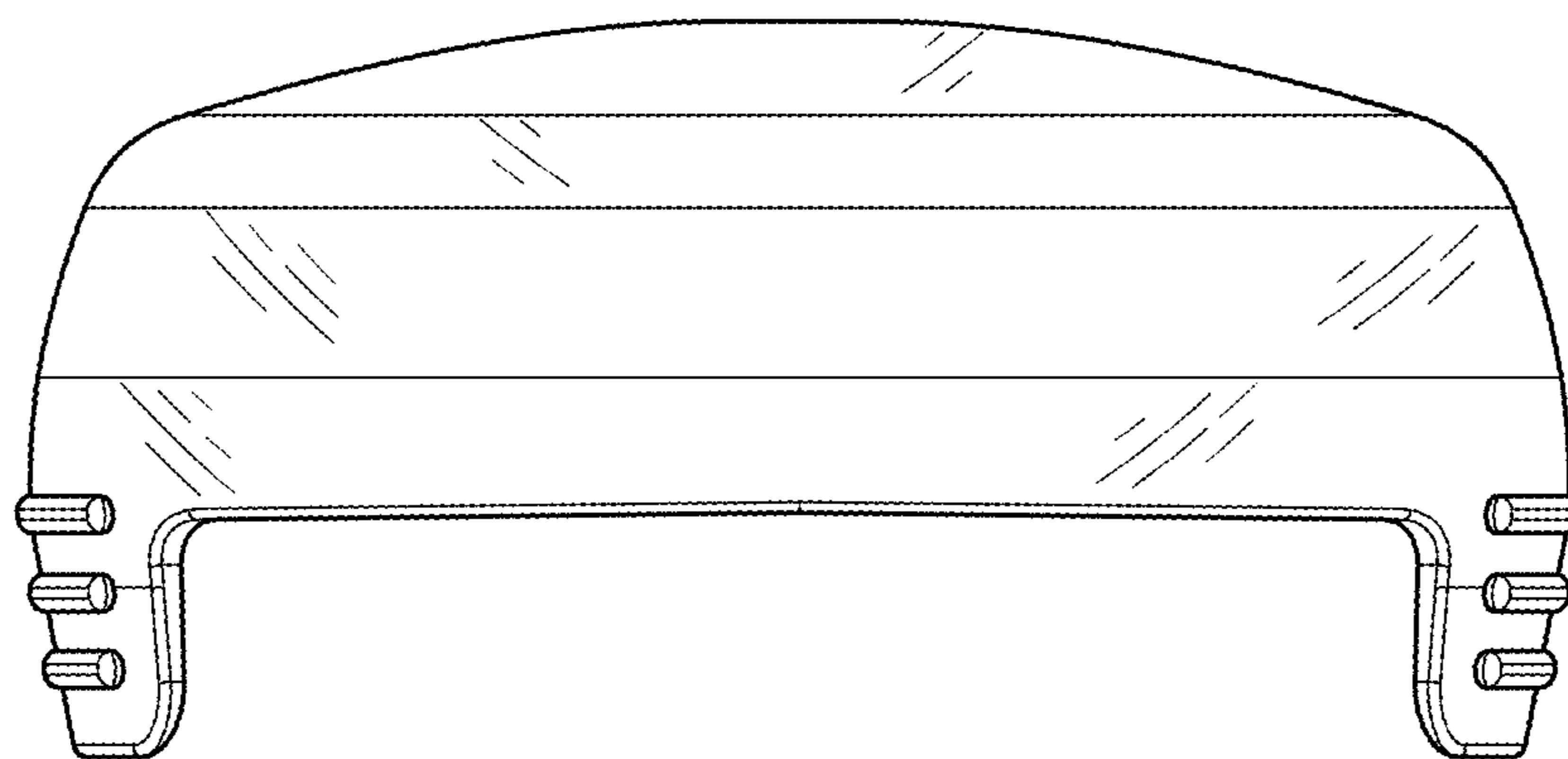


FIG. 15

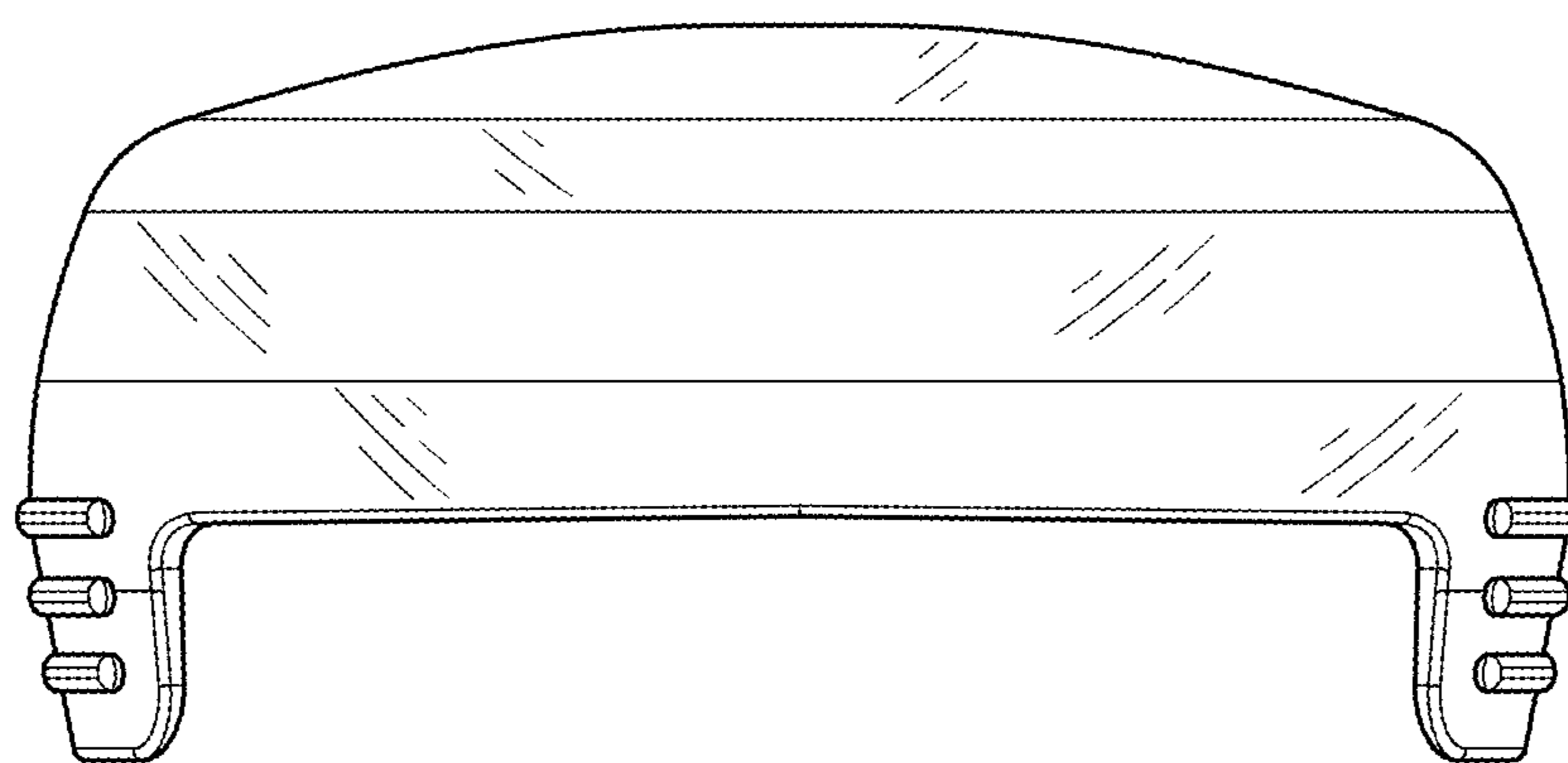


FIG. 16

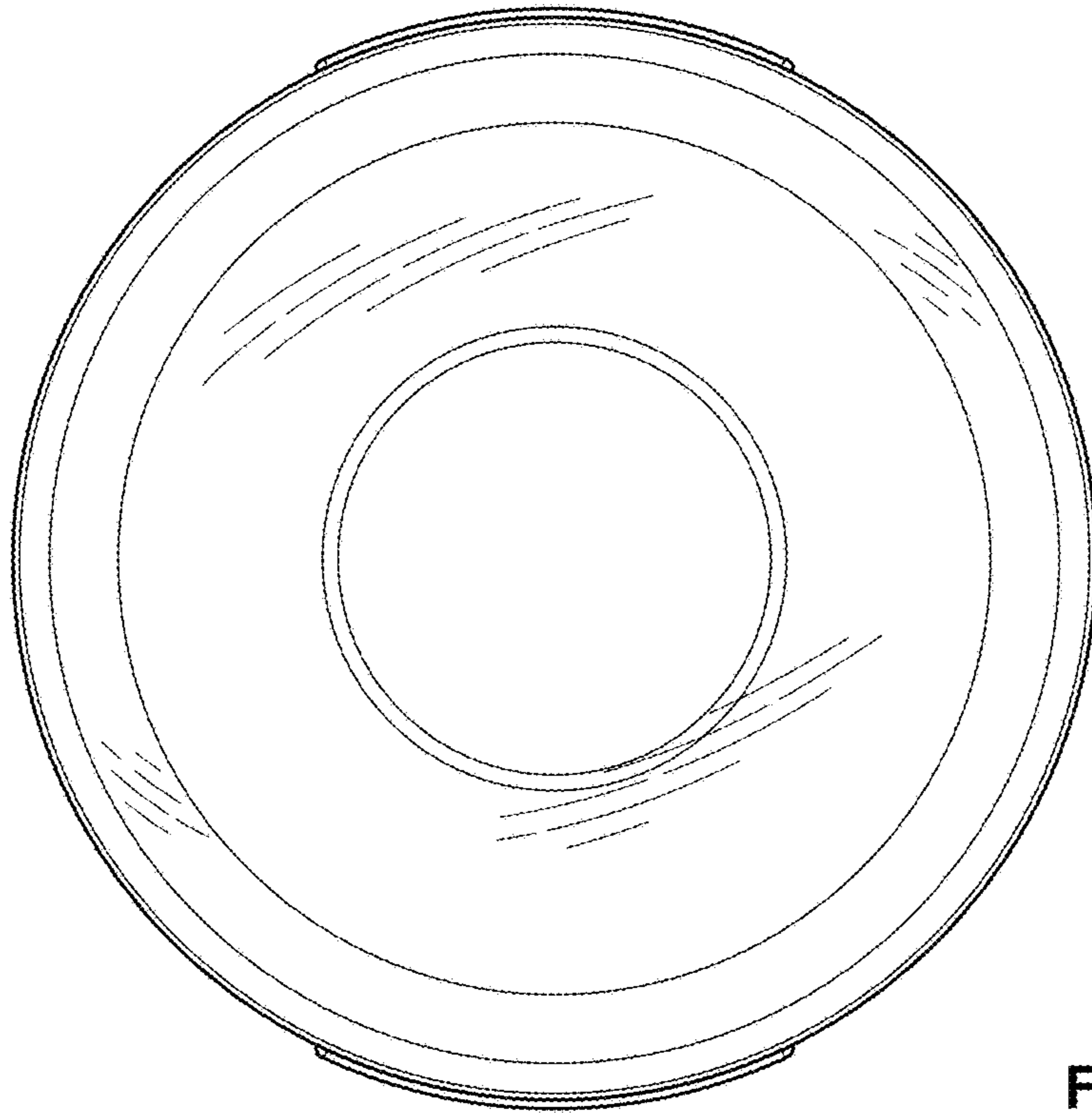


FIG. 17

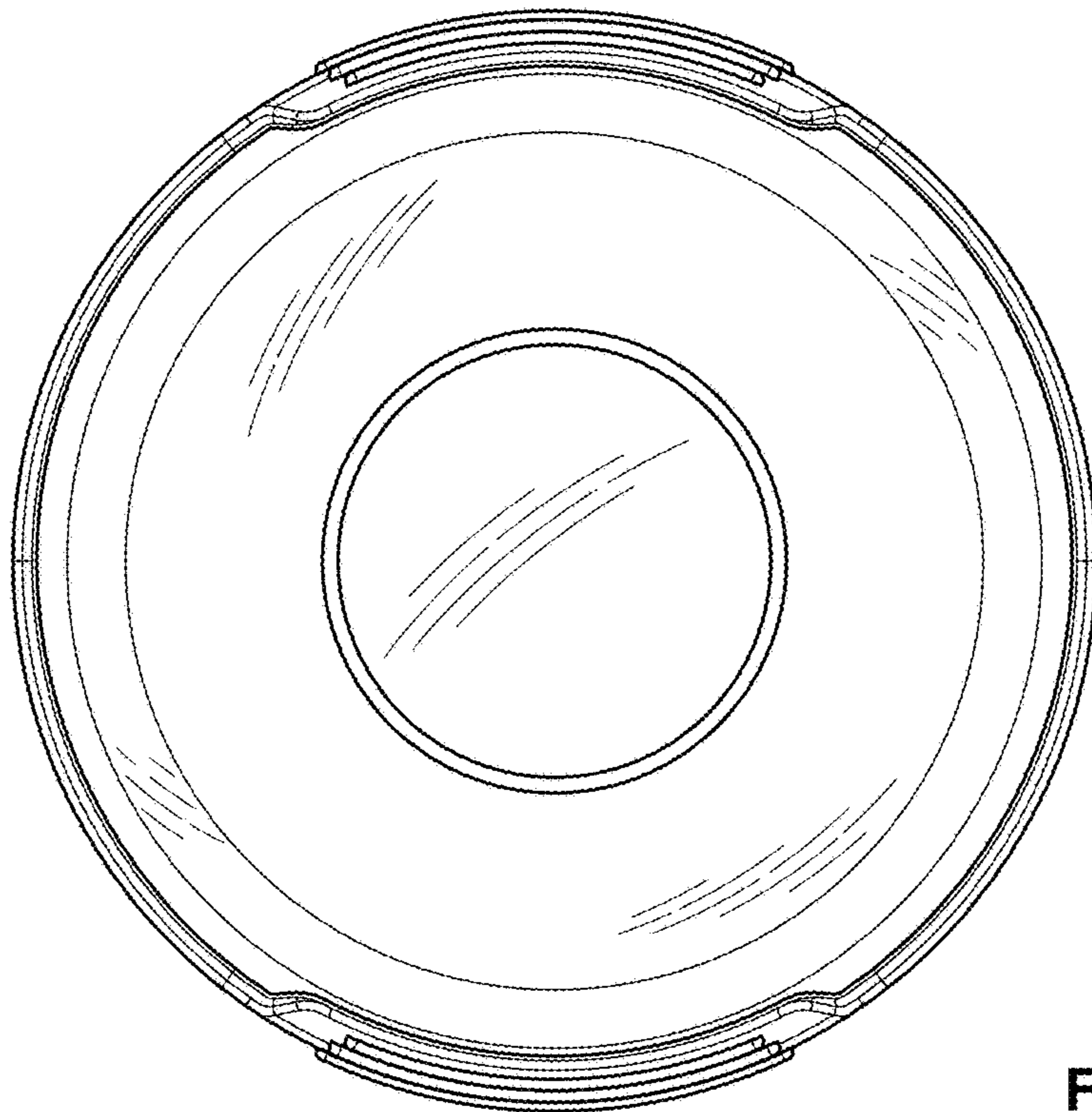


FIG. 18