



US00D815729S

(12) **United States Design Patent**
Guala

(10) **Patent No.:** **US D815,729 S**
(45) **Date of Patent:** **** Apr. 17, 2018**

(54) **VALVED CONNECTOR FOR MEDICAL LINES**

(71) Applicant: **INDUSTRIE BORLA S.P.A.**,
Moncalieri (Turin) (IT)

(72) Inventor: **Gianni Guala**, Turin (IT)

(73) Assignee: **INDUSTRIE BORLA S.p.A.**,
Moncalieri, Turin (IT)

(**) Term: **15 Years**

(21) Appl. No.: **29/553,952**

(22) Filed: **Feb. 5, 2016**

(30) **Foreign Application Priority Data**

Aug. 5, 2015 (EM) 002749838-0001

(51) **LOC (11) Cl.** **29-02**

(52) **U.S. Cl.**
USPC **D24/110.6; D24/129**

(58) **Field of Classification Search**
USPC D24/110.6, 127, 129; D23/262
CPC A61M 2039/1033; A61M 39/10; A61M
39/105; A61M 39/223; A61M 39/225;
A61M 39/26

See application file for complete search history.

(56) **References Cited**

U.S. PATENT DOCUMENTS

D297,367 S * 8/1988 Miyasaka D24/129
4,932,944 A * 6/1990 Jagger A61M 39/04
604/191

5,163,922 A * 11/1992 McElveen, Jr. A61M 39/02
251/149.1
5,549,577 A * 8/1996 Siegel A61M 39/045
251/149.1
5,676,346 A * 10/1997 Leinsing A61M 39/26
251/149.1
D733,292 S * 6/2015 Rogers D24/129
D734,456 S * 7/2015 Cromett D24/129
D793,551 S * 8/2017 Nelson D24/129
2016/0228687 A1 * 8/2016 Chih A61M 39/22
2017/0120028 A1 * 5/2017 Burkholz A61M 39/10

* cited by examiner

Primary Examiner — Karen E Kearney

Assistant Examiner — Lilyana Bekic

(74) *Attorney, Agent, or Firm* — Heslin Rothenberg
Farley & Mesiti P.C.; Victor A. Cardona, Esq.

(57) **CLAIM**

I claim the ornamental design for a valved connector for medical lines, as shown and described.

DESCRIPTION

This application is also related to co-owned U.S. Design application Ser. No. 29/553,955, filed Feb. 2, 2016, entitled valved connector for medical lines.

FIG. 1 is a bottom perspective view of a valved connector for medical lines showing the new design;
FIG. 2 is a top perspective view thereof;
FIG. 3 is a bottom plan view thereof;
FIG. 4 is a top plan view thereof;
FIG. 5 is a front view thereof;
FIG. 6 is a left side view thereof;
FIG. 7 is a rear view thereof; and,
FIG. 8 is a right side view thereof.

1 Claim, 8 Drawing Sheets

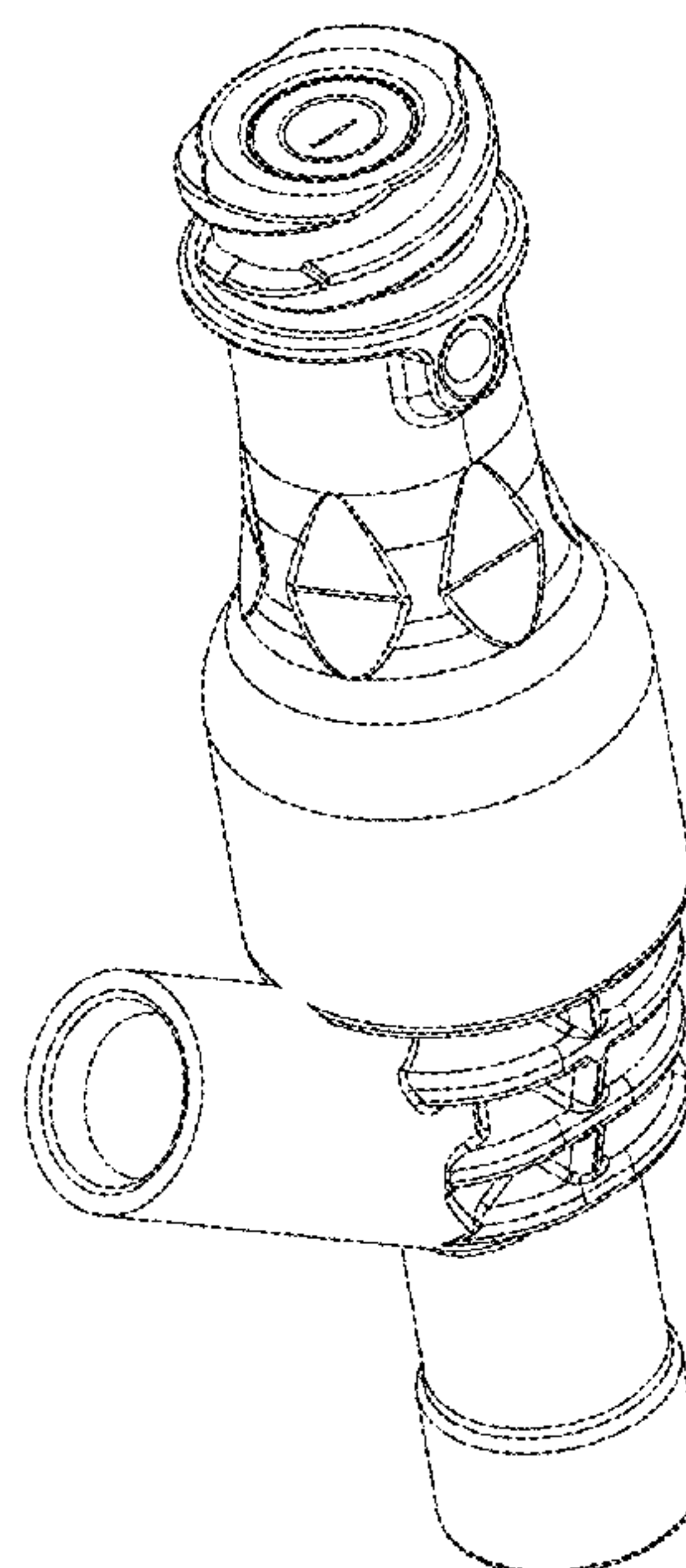
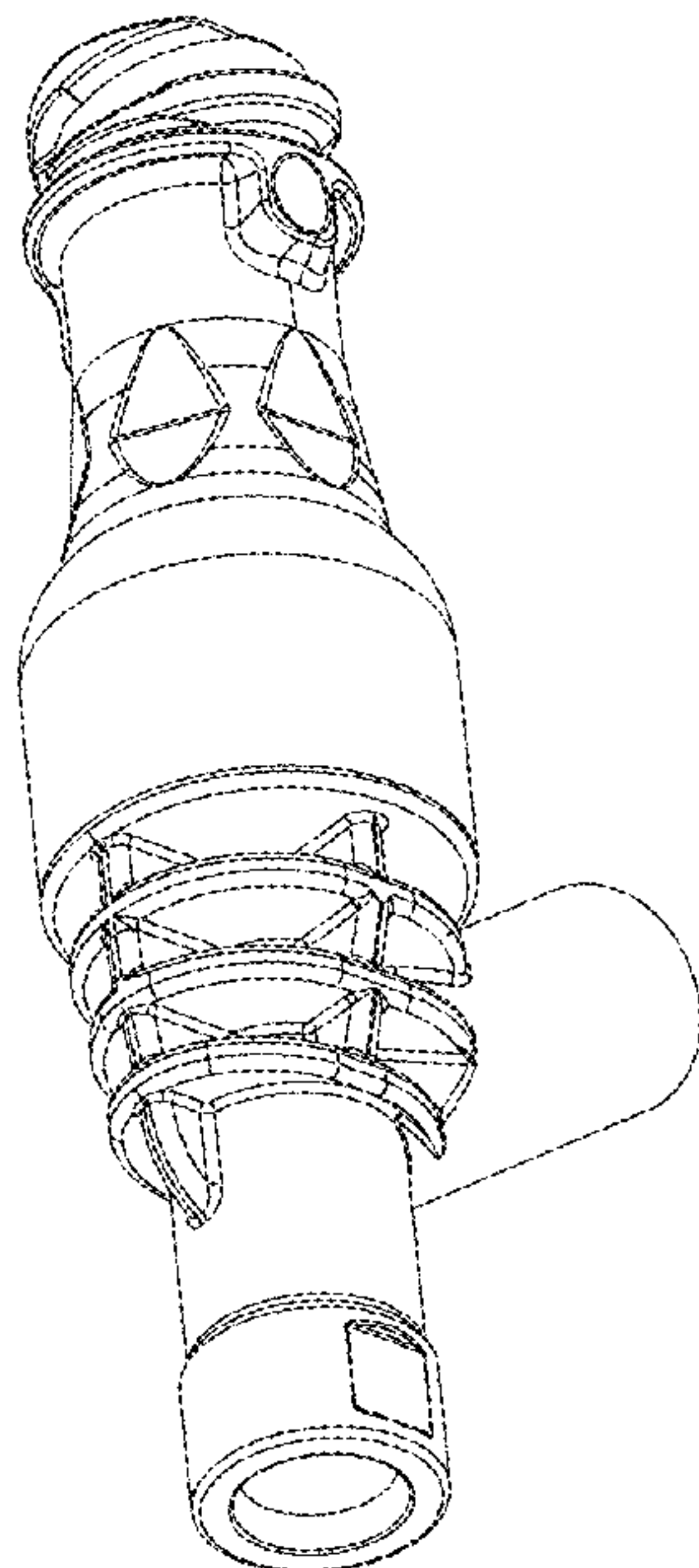


FIG. 1

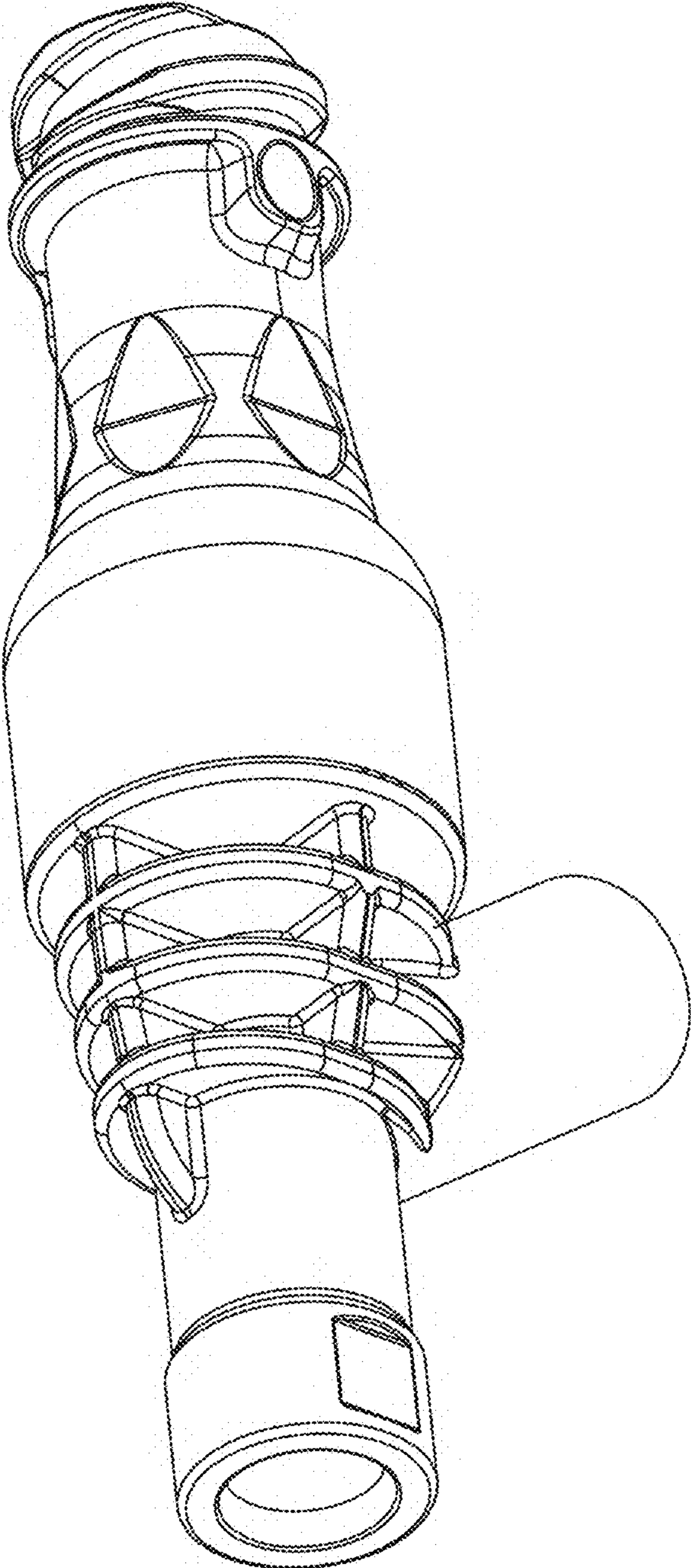


FIG. 2

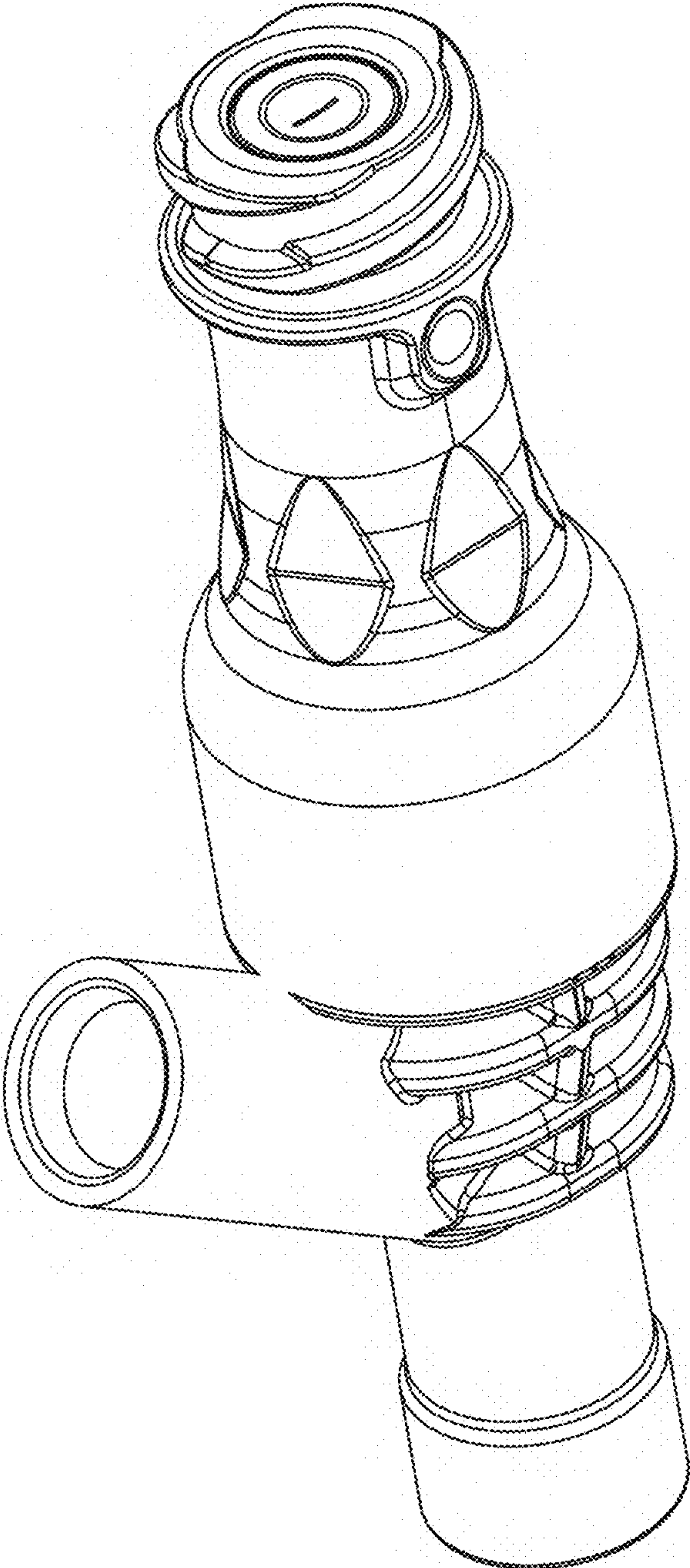


FIG. 3

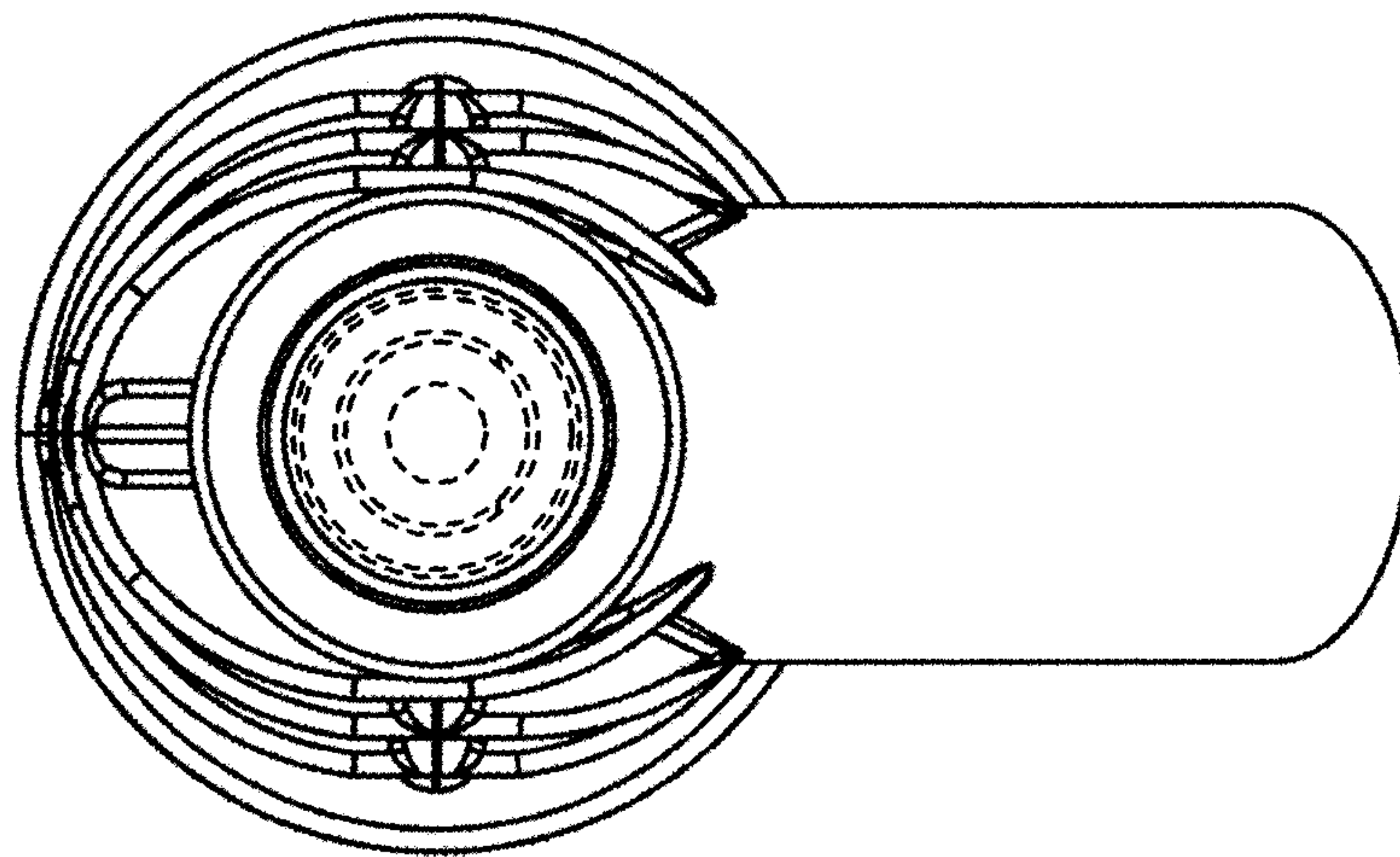


FIG. 4

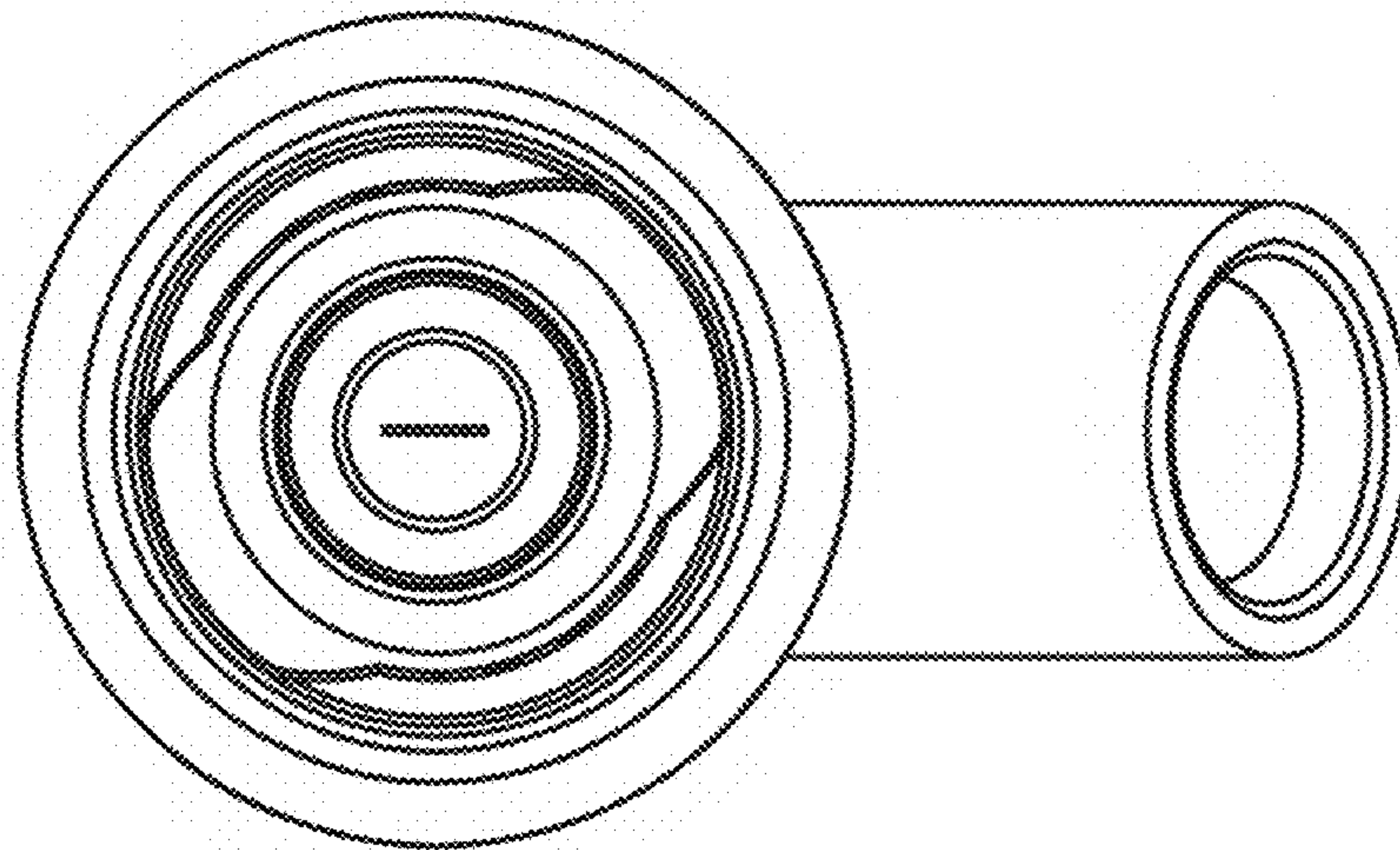


FIG. 5

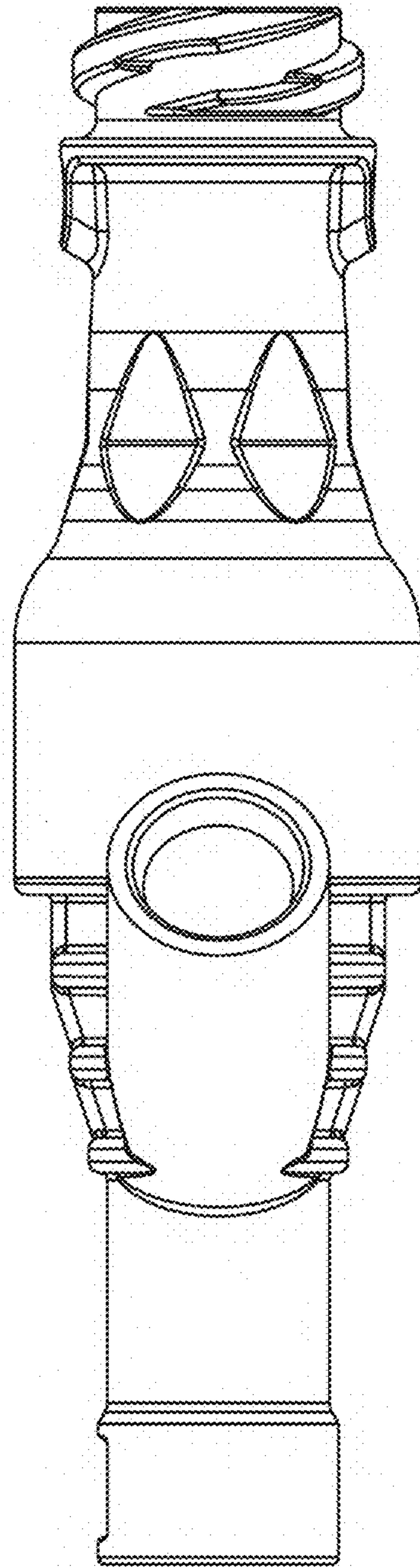


FIG. 6

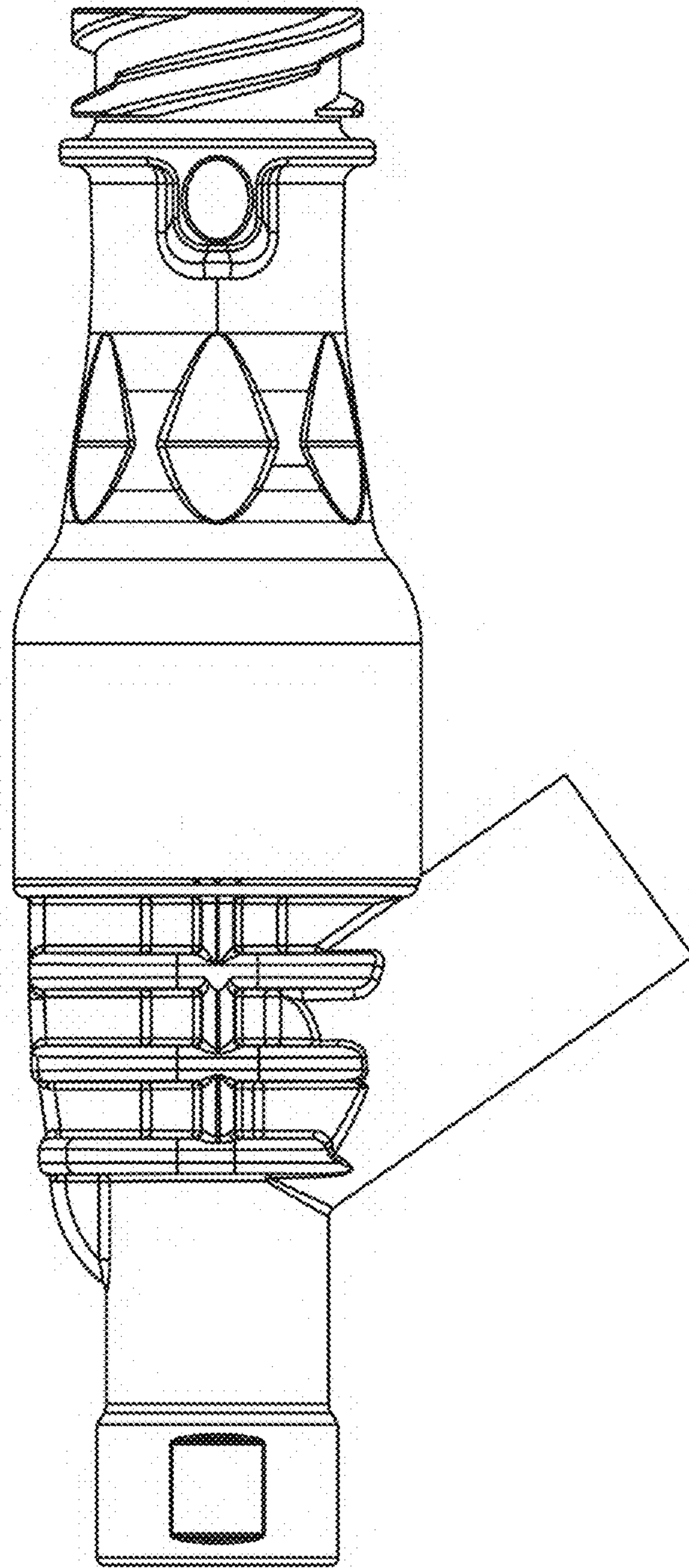


FIG. 7

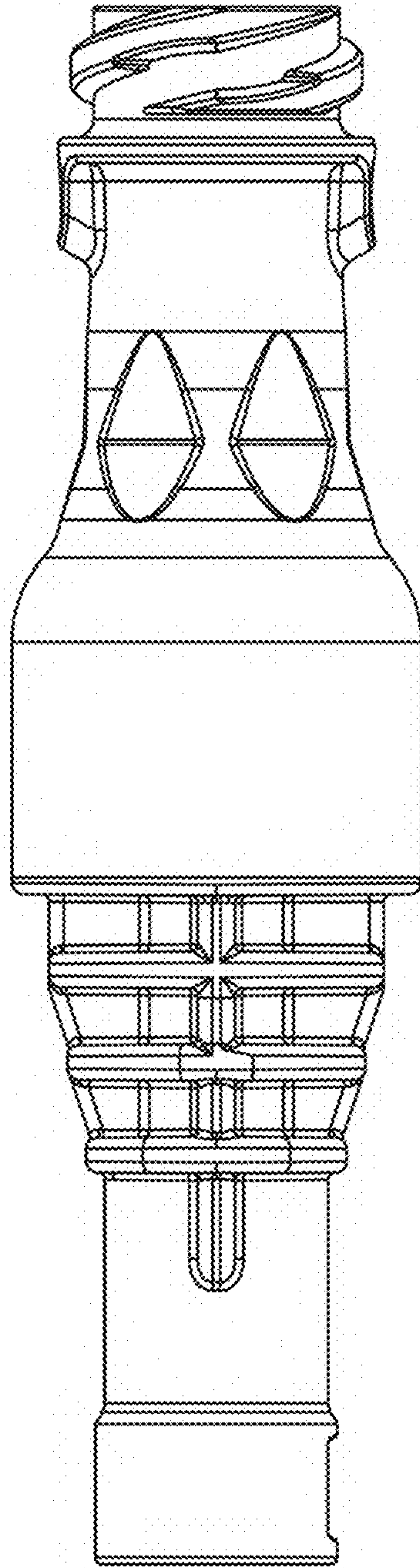


FIG. 8

