



US00D815728S

(12) **United States Design Patent** (10) **Patent No.:** **US D815,728 S**  
**Walls et al.** (45) **Date of Patent:** **\*\* Apr. 17, 2018**

- (54) **BREATHING INTERFACE ASSEMBLY**
- (71) Applicant: **Fisher & Paykel Healthcare Limited**, Auckland (NZ)
- (72) Inventors: **Bruce Michael Walls**, Auckland (NZ); **Rex Gordon Faithfull**, Auckland (NZ); **Arvin San Jose Gardiola**, Auckland (NZ); **Wen Dong Huang**, Auckland (NZ); **Matthew Robert Geoff Slight**, Auckland (NZ)
- (73) Assignee: **Fisher & Paykel Healthcare Limited**, Auckland (NZ)

- D532,511 S 11/2006 Amarasinghe
  - D532,512 S 11/2006 Amarasinghe
  - D536,092 S 1/2007 Amarasinghe
  - D540,940 S 4/2007 Amarasinghe et al.
  - D542,912 S \* 5/2007 Gunaratnam ..... D24/110.5
  - D546,441 S \* 7/2007 Hitchcock ..... D24/110.1
- (Continued)

**FOREIGN PATENT DOCUMENTS**

- JP D1464190 2/2013
  - WO WO 2007/041786 A1 4/2007
- (Continued)

**OTHER PUBLICATIONS**

Reason for Rejection from Examination Report [Partial Translation], Japanese Design Application No. 2014-011228.  
(Continued)

*Primary Examiner* — Karen E Kearney  
*Assistant Examiner* — Lilyana Bekic  
(74) *Attorney, Agent, or Firm* — Knobbe Martens Olsen & Bear, LLP

- (\*\*) Term: **15 Years**
- (21) Appl. No.: **29/581,677**
- (22) Filed: **Oct. 20, 2016**

**Related U.S. Application Data**

- (62) Division of application No. 29/475,080, filed on Nov. 27, 2013, now Pat. No. Des. 770,036.
- (51) **LOC (11) Cl.** ..... **29-02**
- (52) **U.S. Cl.**  
USPC ..... **D24/110.4**
- (58) **Field of Classification Search**  
USPC ..... D24/110–110.5, 127; D29/108, 122  
CPC ..... A61M 16/0622; A61M 16/0616; A61M 16/0605; A61M 16/0644; A61M 16/0633; A61M 16/06; A61M 16/0683  
See application file for complete search history.

(57) **CLAIM**

The ornamental design for a breathing interface assembly, as shown and described.

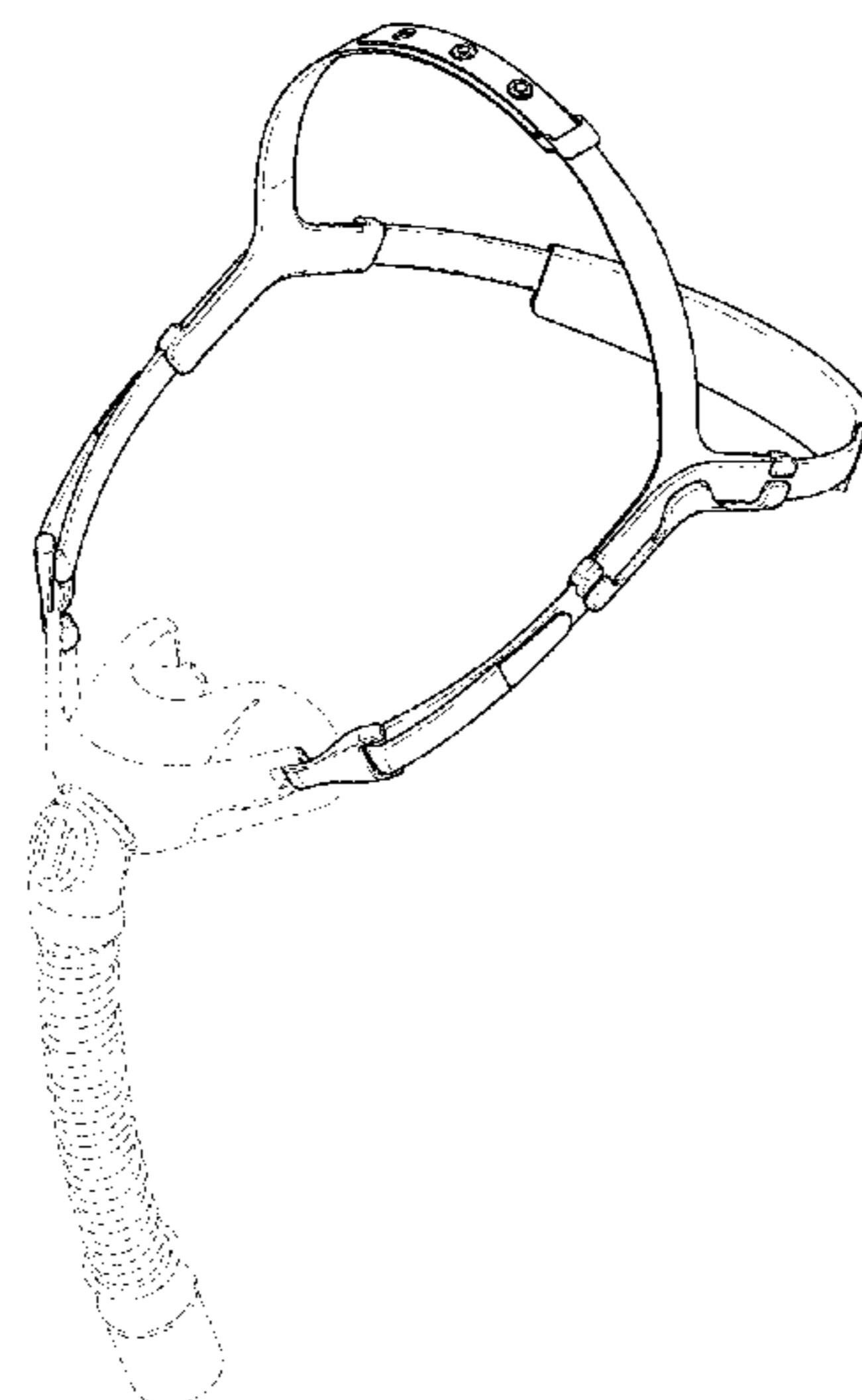
**DESCRIPTION**

FIG. 1 is a top, front and right side perspective view of a breathing interface assembly embodying the new design. FIG. 2 is a front view thereof. FIG. 3 is a back view thereof. FIG. 4 is a left side view thereof. FIG. 5 is a right side view thereof. FIG. 6 is a top view thereof; and, FIG. 7 is a bottom view thereof. Broken lines are used to illustrate features that form no part of the claimed design.

(56) **References Cited**  
U.S. PATENT DOCUMENTS

- D335,367 S 5/1993 Mieskoski
- 5,394,568 A 3/1995 Brostrom et al.
- 5,517,986 A 5/1996 Starr et al.
- D487,312 S \* 3/2004 Bailey ..... D24/110.1
- D496,726 S 9/2004 Amarasinghe et al.

**1 Claim, 7 Drawing Sheets**



(56)

References Cited

U.S. PATENT DOCUMENTS

D561,332 S 2/2008 Amarasinghe et al.  
D612,933 S \* 3/2010 Prentice ..... D24/110.1  
D653,748 S \* 2/2012 Henry ..... D24/110.1  
D656,231 S \* 3/2012 Henry ..... D24/110.1  
D668,328 S \* 10/2012 Hill ..... D24/110.1  
D691,257 S \* 10/2013 Siew ..... D24/110.1  
D692,554 S \* 10/2013 Siew ..... D24/110.1  
D696,767 S 12/2013 Scheiner et al.  
D704,329 S \* 5/2014 Collazo ..... D24/110.1  
D706,413 S 6/2014 Veliss et al.  
D709,181 S \* 7/2014 Henry ..... D24/110.1  
8,839,791 B2 9/2014 Allum et al.  
8,985,115 B2 \* 3/2015 Baecke ..... A61M 16/0666  
128/207.13  
D729,381 S \* 5/2015 Himes ..... D24/110.1  
D737,953 S \* 9/2015 Wells ..... D24/110  
D740,409 S \* 10/2015 Siew ..... D24/110  
D770,036 S \* 10/2016 Walls ..... D24/110.4  
D771,239 S \* 11/2016 Walls ..... D24/110.1  
2003/0196658 A1 10/2003 Ging et al.  
2004/0112377 A1 6/2004 Amarasinghe et al.  
2004/0226566 A1 11/2004 Gunaratnam et al.  
2006/0081252 A1 4/2006 Wood  
2007/0163600 A1 7/2007 Hoffman  
2008/0190432 A1 8/2008 Blochlinger et al.  
2009/0044808 A1 \* 2/2009 Guney ..... A61M 16/0666  
128/206.24  
2009/0095298 A1 4/2009 Gunaratnam et al.  
2009/0250065 A1 10/2009 Omura et al.  
2010/0224199 A1 9/2010 Smith et al.  
2010/0229868 A1 9/2010 Rummery et al.  
2010/0258136 A1 \* 10/2010 Doherty ..... A61M 16/0683  
128/207.17  
2011/0000492 A1 \* 1/2011 Veliss ..... A61M 16/0666  
128/207.13  
2011/0146685 A1 \* 6/2011 Allan ..... A61M 16/06  
128/205.25  
2011/0197341 A1 8/2011 Formica et al.  
2011/0232649 A1 \* 9/2011 Collazo ..... A61M 16/06  
128/207.18  
2011/0253143 A1 10/2011 Ho et al.  
2011/0259335 A1 \* 10/2011 Sullivan ..... A61M 16/0683  
128/205.25  
2012/0067349 A1 \* 3/2012 Barlow ..... A61M 16/06  
128/205.25  
2012/0090622 A1 \* 4/2012 Chang ..... A61M 16/0666  
128/207.18  
2012/0138060 A1 6/2012 Barlow  
2012/0222680 A1 9/2012 Eves et al.  
2013/0042871 A1 \* 2/2013 Chang ..... A61M 16/06  
128/205.25

2013/0186403 A1 \* 7/2013 Chang ..... A61M 16/0666  
128/205.25  
2013/0199537 A1 \* 8/2013 Formica ..... A61M 16/06  
128/205.25  
2013/0220327 A1 \* 8/2013 Barlow ..... A61M 16/0683  
128/205.25  
2014/0000614 A1 \* 1/2014 Chang ..... A61M 16/0666  
128/205.25  
2014/0264975 A1 9/2014 Bath et al.  
2014/0283843 A1 \* 9/2014 Eves ..... A61M 11/00  
128/206.24  
2015/0151071 A1 \* 6/2015 Von Moger ..... A61M 39/1055  
128/202.27  
2015/0199479 A1 7/2015 Semen et al.  
2015/0224274 A1 \* 8/2015 Siew ..... A61M 16/0683  
128/206.24  
2015/0246200 A1 \* 9/2015 Neff, Jr. .... A61M 16/0611  
128/202.27  
2015/0283349 A1 \* 10/2015 McLaren ..... A61M 16/06  
128/206.21  
2015/0290415 A1 10/2015 Dunn  
2016/0015921 A1 \* 1/2016 Harrison ..... A61M 16/0605  
128/205.25  
2016/0051784 A1 \* 2/2016 Eury ..... A61M 16/0666  
128/207.18  
2016/0074611 A1 \* 3/2016 Higgins ..... A61M 16/0666  
128/206.24  
2016/0082217 A1 \* 3/2016 McLaren ..... A61M 16/0683  
128/207.11  
2016/0151596 A1 \* 6/2016 Slight ..... A61M 16/0622  
128/207.18  
2016/0213878 A1 \* 7/2016 Browning, Jr. ... A61M 16/0683  
2016/0287830 A1 \* 10/2016 Walls ..... A61M 16/0683  
2017/0072155 A1 \* 3/2017 Allan ..... A61M 16/06  
2017/0080173 A1 \* 3/2017 Barlow ..... A61M 16/0683

FOREIGN PATENT DOCUMENTS

WO WO 2009/059353 A1 5/2009  
WO WO 2011/060479 A1 5/2011  
WO WO 2012/045127 4/2012

OTHER PUBLICATIONS

Australian Examination Report; dated Jul. 8, 2016; 5 pages.  
International Search Report; PCT/IB2014/066374; dated Feb. 16, 2015; 4 pages.  
International Preliminary Report on Patentability; PCT/162014/066374; dated May 31, 2016; 5 pages.  
Supplementary Search Report in European Application No. 14865246.4; dated Jun. 16, 2017; 7 pages.

\* cited by examiner

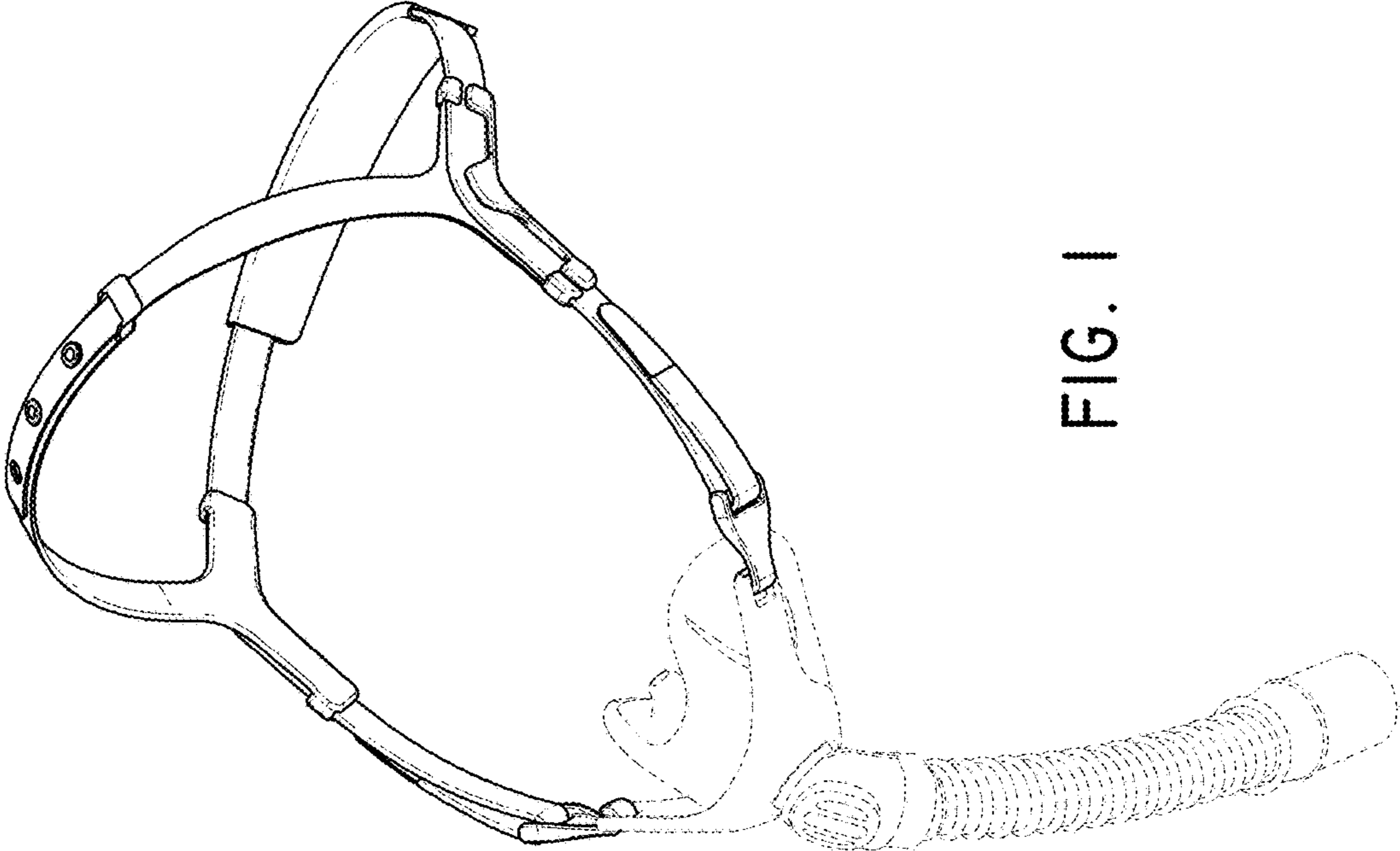


FIG. 1

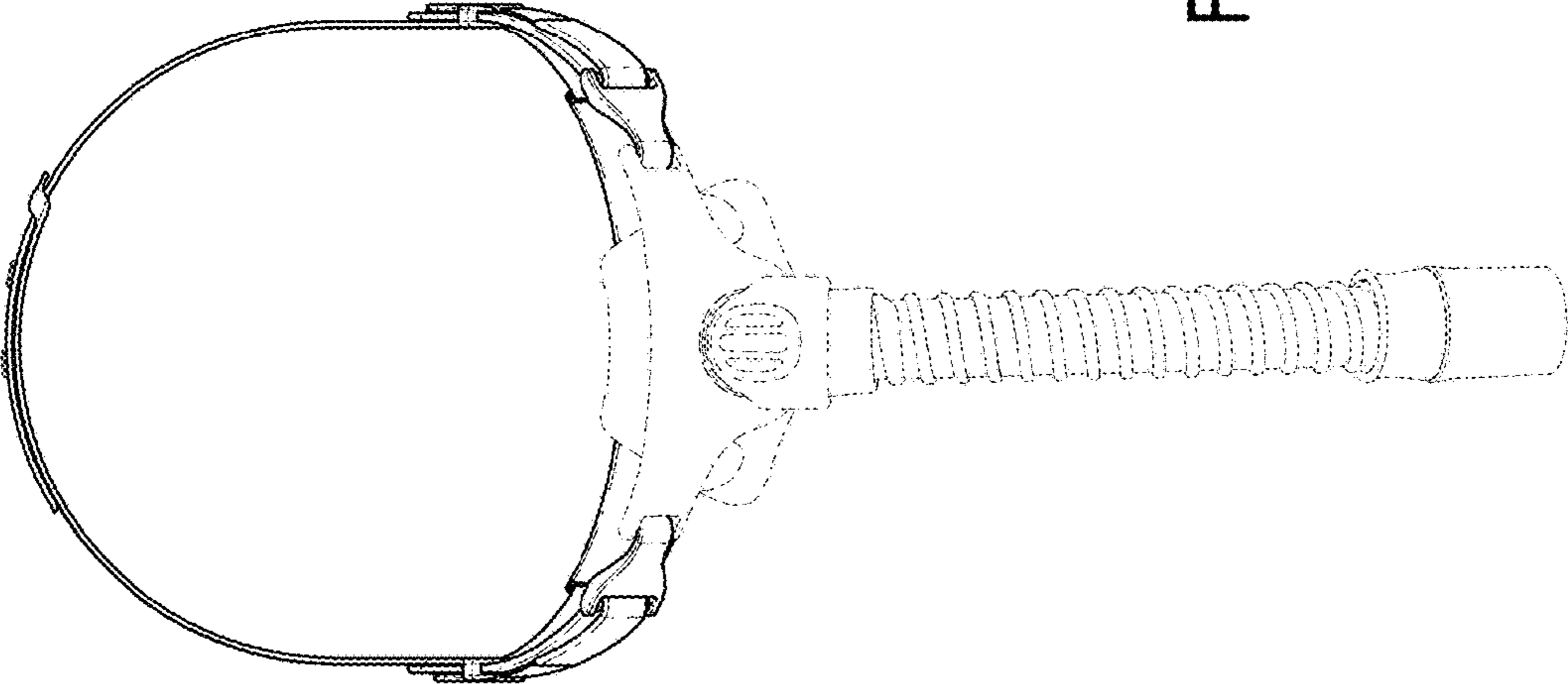


FIG. 2

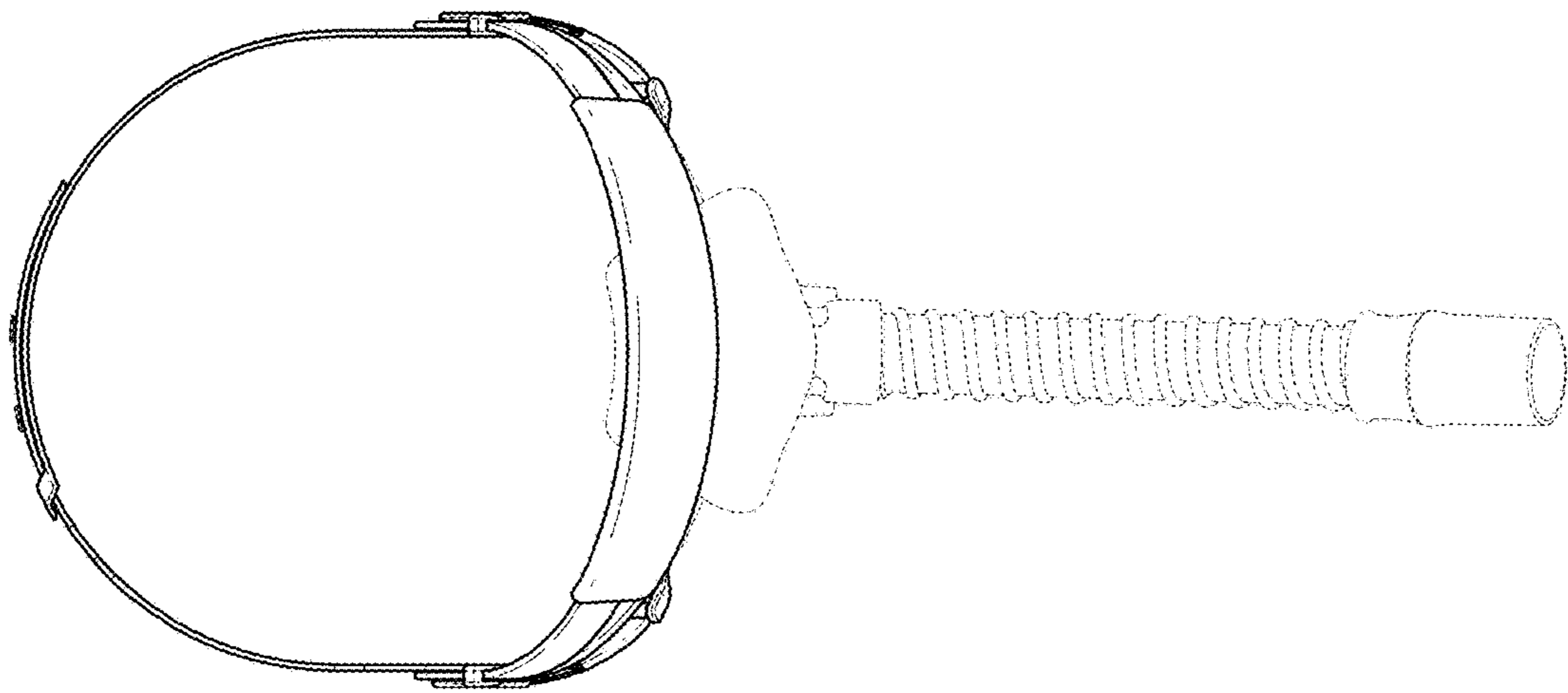


FIG. 3

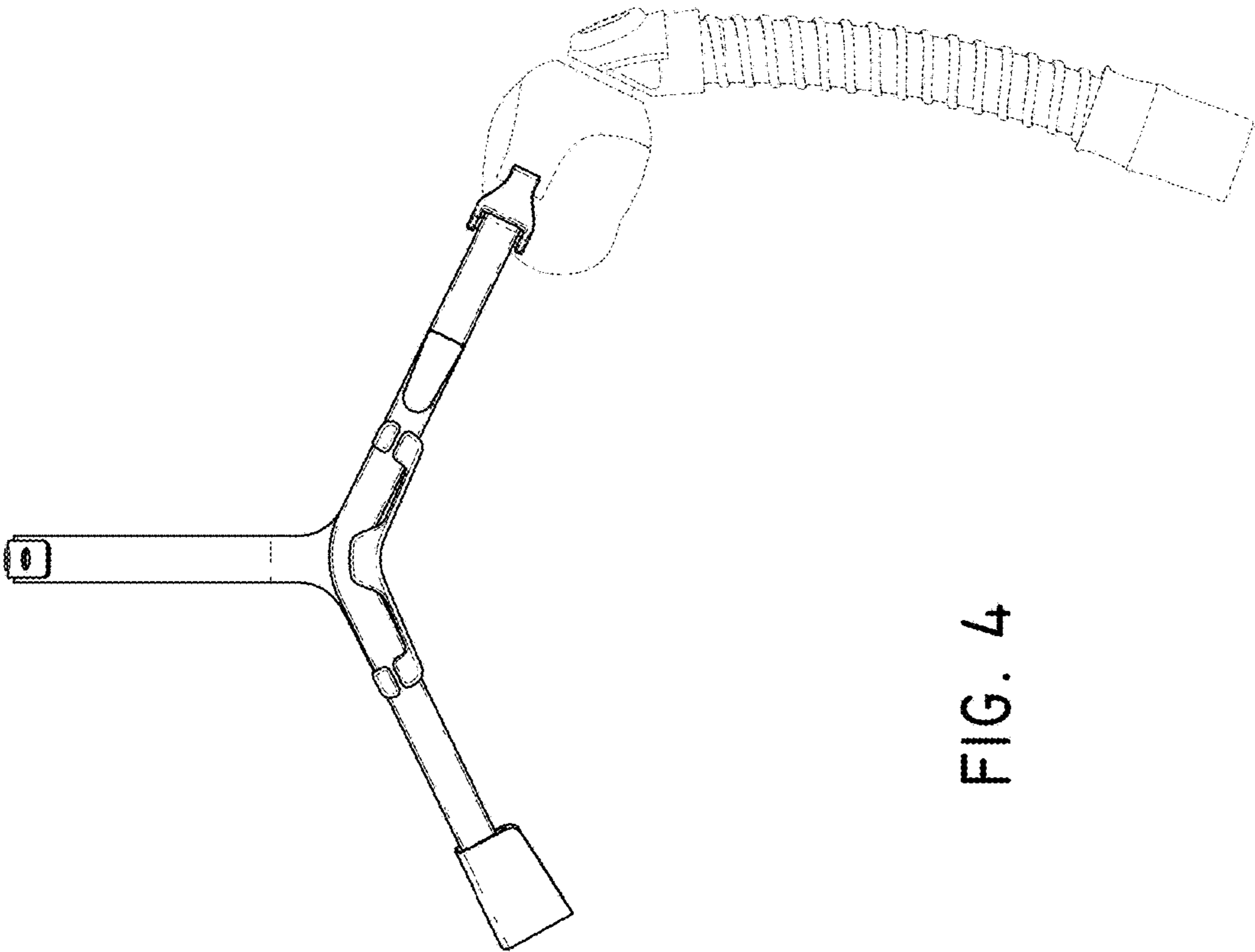


FIG. 4

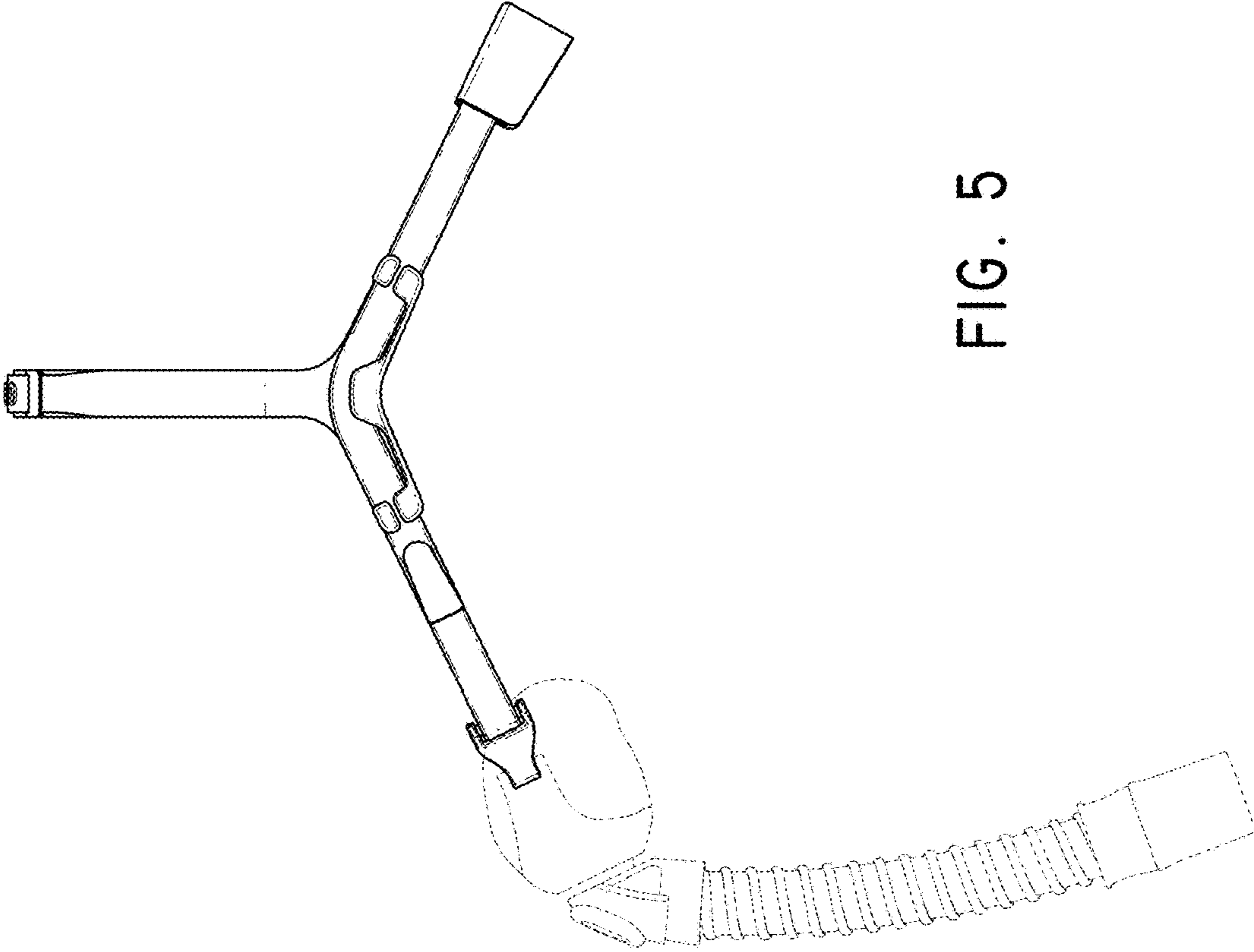


FIG. 5

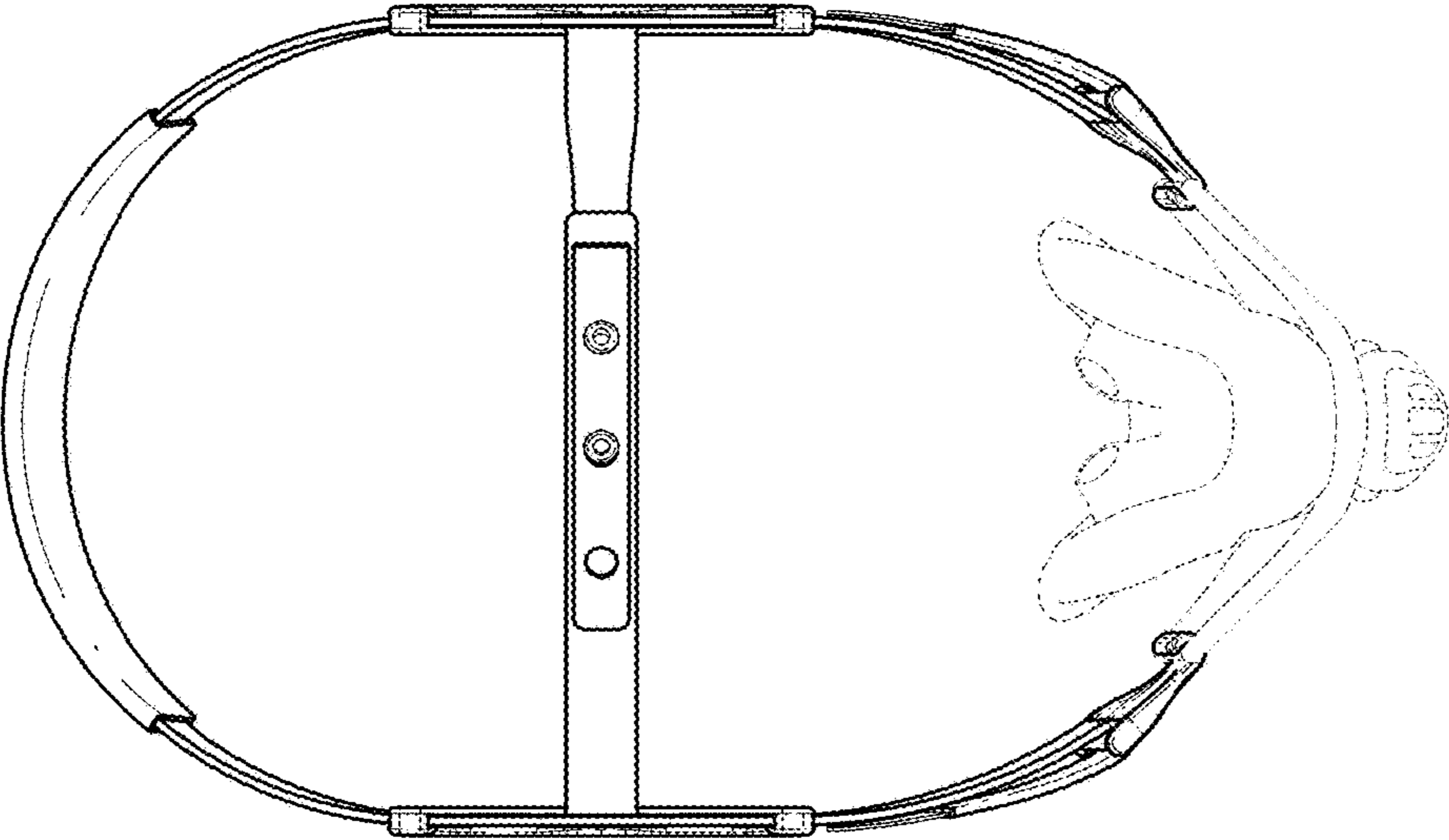


FIG. 6



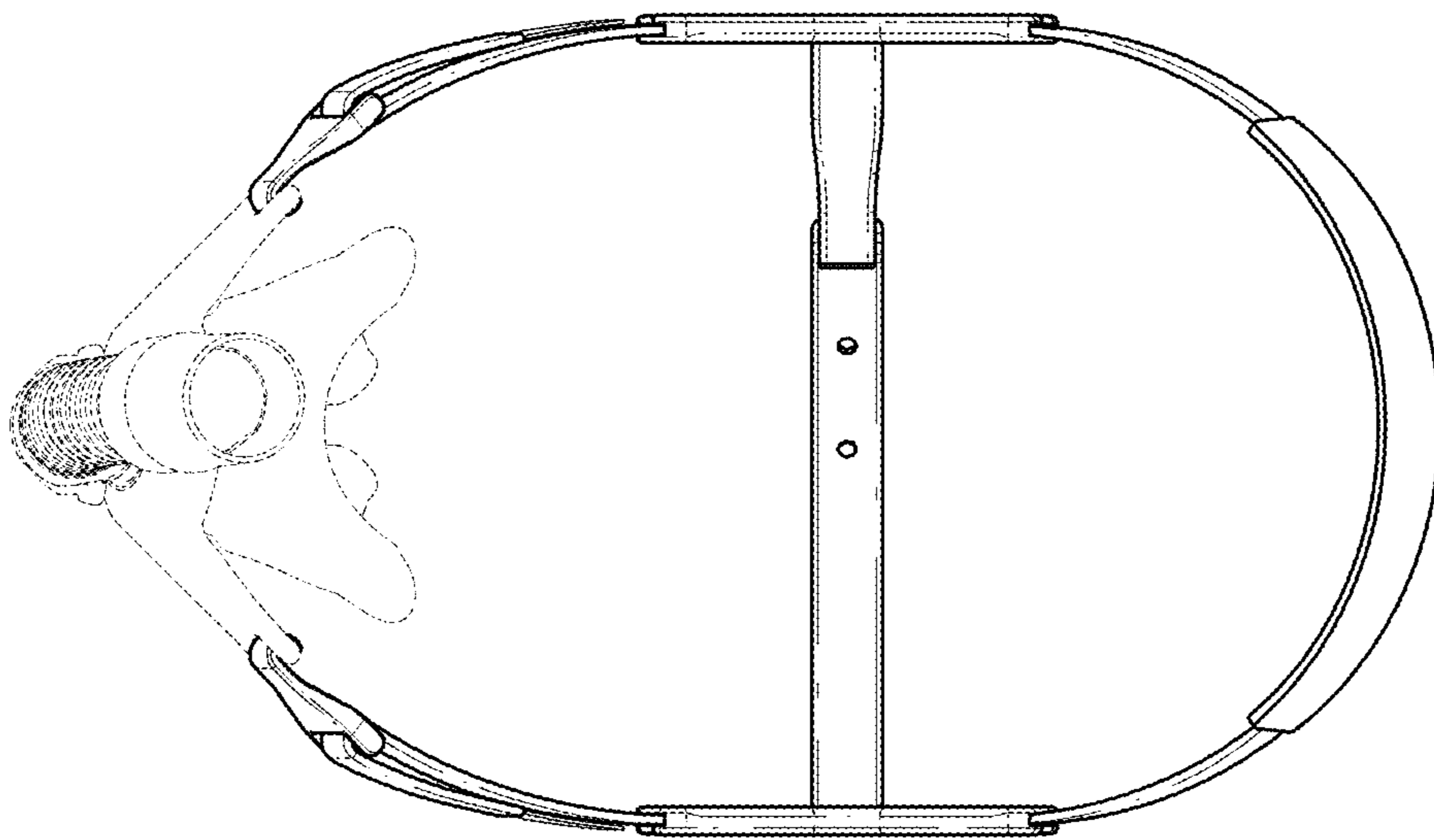


FIG. 7