



US00D815726S

(12) **United States Design Patent** (10) **Patent No.:** **US D815,726 S**
Bjelovuk et al. (45) **Date of Patent:** **** Apr. 17, 2018**

(54) **THERAPY UNIT ASSEMBLY**

(56)

References Cited

(71) Applicant: **Smith & Nephew, Inc.**, Memphis, TN (US)

U.S. PATENT DOCUMENTS

(72) Inventors: **Brian P. Bjelovuk**, Westerville, OH (US); **Carrie Lee Childress**, Dallas, TX (US); **Kealoha Young Deutsch**, Odessa, FL (US); **William W. Gregory**, Gainesville, FL (US); **Kathryn Ann Leigh**, Saint Petersburg, FL (US); **Andrew P. Muser**, Saint Pete Beach, FL (US); **Felix C. Quintanar**, Hull (GB); **Billy J. Ratliff**, Commerce Township, MI (US); **Michael T. Roller**, Covington, KY (US); **Robert H. Roth**, Cincinnati, OH (US); **Mark Schaefer**, Largo, FL (US)

1,220,957 A	3/1917	Conway
1,251,404 A	12/1917	Mills
1,925,694 A	9/1933	Hawkins
3,115,138 A	12/1963	McElvenny et al.
3,295,576 A	1/1967	Schmitt et al.
D207,194 S	3/1967	Artmann
D247,068 S	1/1978	Sykes
4,116,310 A	9/1978	Shields
D250,225 S	11/1978	Sykes
4,382,441 A	5/1983	Svedman
D273,535 S	4/1984	Weinreb
4,569,674 A	2/1986	Phillips
4,649,973 A	3/1987	Uchin
4,655,754 A	4/1987	Richmond et al.
4,710,165 A	12/1987	McNeil et al.
4,767,417 A	8/1988	Boehringer
4,832,299 A	5/1989	Gorton et al.
4,930,997 A	6/1990	Bennett
4,969,880 A	11/1990	Zamierowski
5,083,700 A	1/1992	Mello et al.
D325,126 S	4/1992	Costello
5,134,994 A	8/1992	Say
5,176,663 A	1/1993	Svedman et al.
5,215,523 A	6/1993	Williams et al.
5,219,428 A	6/1993	Stern
D340,351 S	10/1993	Wrath
5,358,494 A	10/1994	Svedman
D352,463 S	11/1994	Kubo
D352,606 S	11/1994	Cylvick et al.
5,466,229 A	11/1995	Elson
5,473,536 A	12/1995	Wimmer
5,527,293 A	6/1996	Zamierowski
5,636,643 A	6/1997	Argenta et al.
D380,607 S	7/1997	Leben
5,645,081 A	7/1997	Argenta et al.
5,687,717 A	11/1997	Halpern et al.
D400,249 S	10/1998	Holubar et al.
D406,899 S	3/1999	Cottle
D408,625 S	4/1999	Barker
5,907,721 A	5/1999	Schelling et al.
D414,925 S	10/1999	Holland
D418,287 S	1/2000	Moor
6,010,527 A	1/2000	Augustine et al.
D423,102 S	4/2000	Mertenant
6,071,267 A	6/2000	Zamierowski
D434,150 S	11/2000	Tumey et al.
6,142,982 A	11/2000	Hunt et al.
D436,443 S	1/2001	Hillman
D439,341 S	3/2001	Tumey et al.

(73) Assignee: **Smith & Nephew, Inc.**, Memphis, TN (US)

(**) Term: **15 Years**

(21) Appl. No.: **29/574,016**

(22) Filed: **Aug. 11, 2016**

Related U.S. Application Data

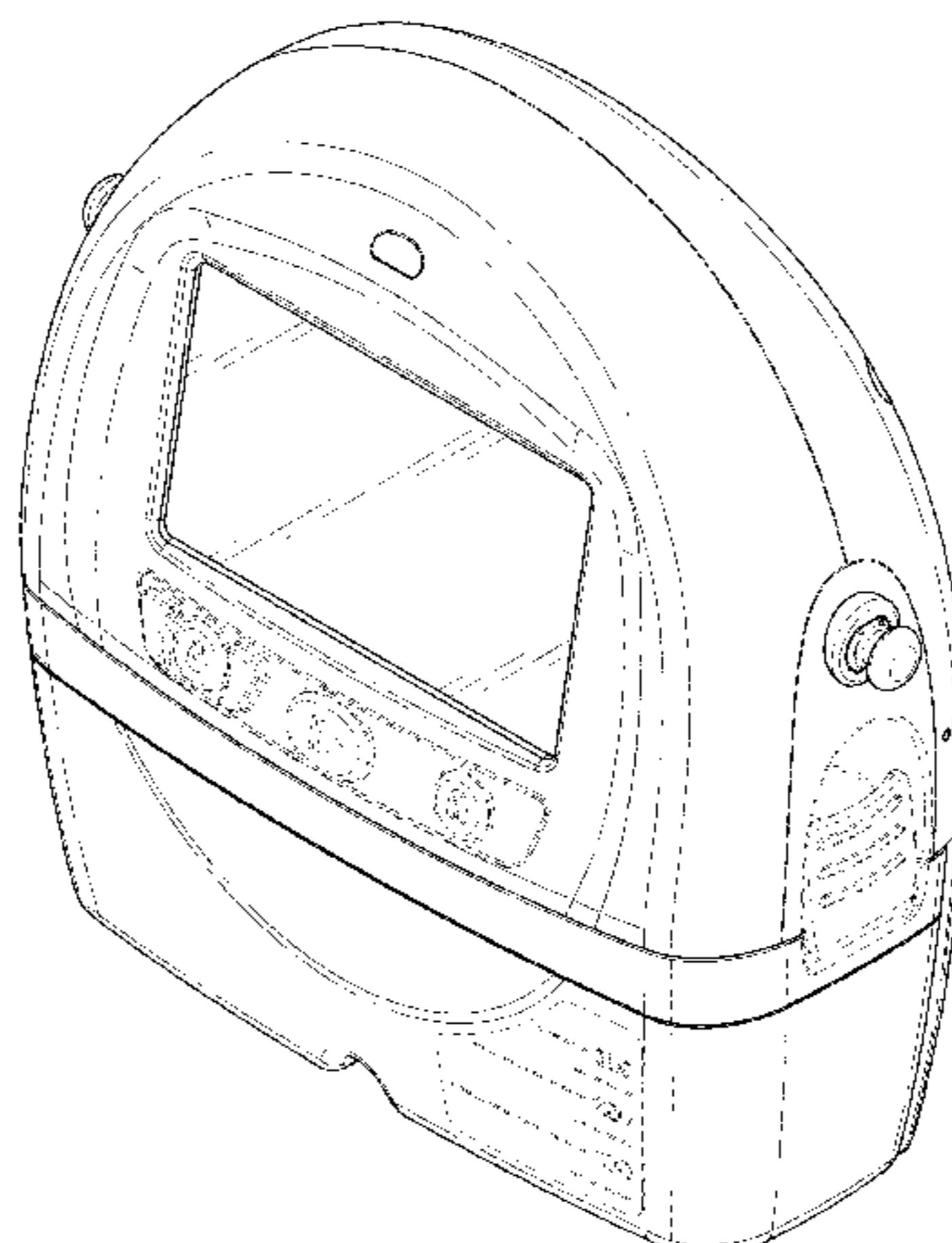
(62) Division of application No. 29/492,116, filed on May 28, 2014, now Pat. No. Des. 764,047.

(51) **LOC (11) Cl.** **24-01**

(52) **U.S. Cl.**
USPC **D24/108**

(58) **Field of Classification Search**
USPC D24/107, 108, 111, 188, 185
CPC .. A61M 1/0088; A61M 1/0031; A61M 27/00;
A61M 1/0023; A61M 1/0001; A61M
1/009; A61M 1/0096; A61M 1/0058;
A61M 1/0066; A61M 1/00

See application file for complete search history.



US D815,726 S

6,279,804 B1	8/2001	Gregg	D644,250 S	8/2011	Barber et al.
D447,336 S	9/2001	Bergkvist et al.	8,007,481 B2	8/2011	Schuessler et al.
D449,891 S	10/2001	Moro	D645,137 S	9/2011	Gonzalez
D456,514 S	4/2002	Brown et al.	8,048,046 B2	11/2011	Hudspeth et al.
6,390,345 B1	5/2002	Brown et al.	D650,894 S	12/2011	Gonzalez
6,398,767 B1	6/2002	Fleischmann	8,100,873 B2	1/2012	Jaeb et al.
6,468,199 B1	10/2002	Satou et al.	D654,095 S	2/2012	Mattson et al.
D469,175 S	1/2003	Hall et al.	D654,164 S	2/2012	Cole et al.
D469,176 S	1/2003	Hall et al.	D660,409 S	5/2012	Taggerty et al.
D471,274 S	3/2003	Diaz et al.	D661,188 S	6/2012	Fahy
D471,361 S	3/2003	Crandall	D661,189 S	6/2012	Fahy
D475,132 S	5/2003	Randolph	D661,190 S	6/2012	Fahy
D477,869 S	7/2003	Vijfvnkel	8,202,262 B2	6/2012	Lina et al.
D478,659 S	8/2003	Hall et al.	8,216,198 B2	7/2012	Heagle et al.
D481,459 S	10/2003	Naham	8,240,470 B2	8/2012	Pidgeon et al.
6,648,862 B2	11/2003	Watson	8,287,736 B2	10/2012	Roncadi et al.
D486,517 S	2/2004	Hendee	8,317,752 B2	11/2012	Cozmi et al.
6,738,052 B1	5/2004	Manke et al.	D672,141 S	12/2012	Harbinson
6,752,794 B2	6/2004	Lockwood et al.	D675,728 S	2/2013	Tout et al.
6,755,807 B2	6/2004	Risk et al.	D681,806 S	5/2013	Kataoka et al.
6,764,462 B2	7/2004	Risk, Jr. et al.	D682,546 S	5/2013	Nicolini
6,824,533 B2	11/2004	Risk, Jr. et al.	D684,365 S	6/2013	Leblanc
D502,802 S	3/2005	Fair	8,494,349 B2	7/2013	Gordon
D504,953 S	5/2005	Ryan	8,552,880 B2	10/2013	Kopp et al.
D505,543 S	5/2005	Miller	8,577,692 B2	11/2013	Silkaitis et al.
6,936,037 B2	8/2005	Bubb et al.	8,668,677 B2	3/2014	Eckstein et al.
6,948,614 B1	9/2005	Hall et al.	8,801,686 B2	8/2014	Bendele et al.
6,957,738 B2	10/2005	Hammond	D726,302 S	4/2015	Hanna
D516,217 S	2/2006	Brown et al.	D750,222 S *	2/2016	Chang D24/108
7,004,915 B2	2/2006	Boynton et al.	D764,047 S *	8/2016	Bjelovuk D24/108
7,022,113 B2	4/2006	Lockwood et al.	D764,048 S *	8/2016	Bjelovuk D24/108
D522,657 S	6/2006	Murphy et al.	D764,653 S *	8/2016	Bjelovuk D24/108
7,077,832 B2	7/2006	Fleischmann	D764,654 S *	8/2016	Bjelovuk D24/108
7,108,683 B2	9/2006	Zamierowski	D765,830 S *	9/2016	Bjelovuk D24/108
D537,944 S	3/2007	Eda et al.	D788,293 S *	5/2017	Eckstein D24/111
7,195,624 B2	3/2007	Lockwood et al.	9,642,950 B2 *	5/2017	Hartwell A61M 1/0031
7,198,046 B1	4/2007	Argenta	9,642,951 B2 *	5/2017	Middleton A61M 1/0023
7,216,651 B2	5/2007	Argenta et al.	2002/0198503 A1	12/2002	Risk, Jr. et al.
D543,691 S	6/2007	Payne et al.	2003/0050594 A1	3/2003	Zamierowski
D544,092 S	6/2007	Lewis	2005/0177190 A1	8/2005	Zamierowski
D545,055 S	6/2007	Lieberman et al.	2005/0247732 A1	11/2005	Ouke
D546,952 S	7/2007	May	2006/0289329 A1	12/2006	Miller
D548,347 S	8/2007	Ichino et al.	2007/0038172 A1	2/2007	Zamierowski
D548,954 S	8/2007	Andersen et al.	2007/0131573 A1	6/2007	Boyles
D551,578 S	9/2007	Kuriger et al.	2007/0193902 A1	8/2007	Myers et al.
D556,444 S	12/2007	Ipsen et al.	2007/0250009 A1	10/2007	Barak
7,317,954 B2	1/2008	McGreevy	2007/0260226 A1	11/2007	Jaeb et al.
D565,177 S	3/2008	Locke et al.	2008/0033400 A1	2/2008	Holper et al.
7,438,705 B2	10/2008	Karpowicz et al.	2008/0071234 A1	3/2008	Kelch et al.
D581,042 S	11/2008	Randolph et al.	2008/0200905 A1	8/2008	Heaton
D581,521 S	11/2008	Locke et al.	2008/0272254 A1	11/2008	Harr et al.
D581,522 S	11/2008	Randolph et al.	2009/0012482 A1	1/2009	Pinto
D585,135 S	1/2009	Mori et al.	2009/0043268 A1	2/2009	Eddy et al.
D585,137 S	1/2009	Onoda et al.	2009/0076467 A1	3/2009	Pinto
D586,466 S	2/2009	Smith et al.	2009/0125055 A1	5/2009	Larkin et al.
D587,364 S	2/2009	Pukall et al.	2009/0221990 A1	9/2009	Jaeb et al.
D587,376 S	2/2009	Takano et al.	2009/0254066 A1	10/2009	Heaton
D587,901 S	3/2009	Pidgeon et al.	2009/0270820 A1	10/2009	Johnson
D590,934 S	4/2009	Randolph et al.	2009/0299306 A1	12/2009	Buan
D591,039 S	4/2009	Wung et al.	2009/0312725 A1	12/2009	Braga
7,524,315 B2	4/2009	Blott et al.	2010/0022990 A1	1/2010	Karpowicz et al.
D591,500 S	5/2009	Siegel et al.	2010/0036333 A1	2/2010	Schenk, III et al.
7,534,240 B1	5/2009	Johnson	2010/0187065 A1	7/2010	Pidgeon et al.
D593,676 S	6/2009	Locke et al.	2010/0191199 A1	7/2010	Evans et al.
D594,114 S	6/2009	Locke et al.	2010/0207768 A1	8/2010	Pidgeon et al.
D601,692 S	10/2009	Tout et al.	2010/0286638 A1	11/2010	Malhi
D602,582 S	10/2009	Pidgeon et al.	2011/0038741 A1	2/2011	Lissner et al.
D602,583 S	10/2009	Pidgeon et al.	2011/0066110 A1	3/2011	Fathallah et al.
D602,584 S	10/2009	Pidgeon et al.	2011/0077605 A1	3/2011	Karpowicz et al.
D607,202 S	1/2010	Pidgeon et al.	2011/0190703 A1	8/2011	Pratt et al.
7,678,090 B2	3/2010	Risk, Jr.	2011/0290979 A1	12/2011	Henault et al.
7,694,814 B1	4/2010	Cristobal et al.	2012/0123323 A1	5/2012	Kagan et al.
D617,094 S	6/2010	Pidgeon et al.	2012/0181405 A1	7/2012	Zlatic et al.
D617,461 S	6/2010	Kaushal et al.	2012/0271256 A1	10/2012	Locke et al.
D625,801 S	10/2010	Pidgeon et al.	2012/0289914 A1 *	11/2012	Eckstein A61M 1/0031
D630,313 S	1/2011	Pidgeon et al.			604/313
D630,725 S	1/2011	Pidgeon et al.	2012/0302979 A1	11/2012	Locke et al.
D635,588 S	4/2011	Sprules	2013/0066301 A1	3/2013	Locke et al.
D642,594 S	8/2011	Mattson et al.	2013/0110058 A1	5/2013	Adie et al.

2013/0310809	A1	11/2013	Armstrong et al.	
2014/0309600	A1	10/2014	Aceto et al.	
2015/0190288	A1	7/2015	Dunn et al.	
2016/0074637	A1*	3/2016	Croizat	A61M 1/0001 604/543
2016/0287765	A1*	10/2016	Canner	A61M 1/0088

FOREIGN PATENT DOCUMENTS

CA	2 819 475	6/2012
DE	1 000 684	1/1957
DE	20301859	6/2003
DE	10 2010 036405	1/2012
EP	0 777 504 B1	10/1998
EP	2 319 476	5/2011
EP	1 565 219 B1	2/2014
GB	2 037 150	7/1980
GB	1 575 266	9/1980
GB	2 195 255	4/1988
GB	2 307 180	5/1997
WO	WO 90/11795	10/1990
WO	WO 91/00718	1/1991
WO	WO 92/20299	11/1992
WO	WO 96/05873	2/1996
WO	WO 03/074106	9/2003
WO	WO 04/037334	5/2004
WO	WO 05/006975	1/2005
WO	WO 05/105180	1/2005
WO	WO 07/013064	2/2007
WO	WO 07/024230	3/2007
WO	WO 07/030599	3/2007
WO	WO 08/036344	3/2008
WO	WO 09/151645	12/2009
WO	WO 10/017484	2/2010
WO	WO 10/039481	4/2010
WO	WO 13/126049	8/2013
WO	WO 14/151930	9/2014
WO	WO 15/091070	6/2015

OTHER PUBLICATIONS

Huntleigh, *WoundAssist* TNP Canister, 6 page Brochure, Huntleigh Healthcare Limited 2007.

International Search Report and Written Opinion for International Application No. PCT/US2014/026692, Notification dated Mar. 2, 2015.

Medela: *Invia Motion*, Negative Pressure Wound Therapy System, Clinical Instructions for Use, 76 pages. Medela AB/200.4168/2012-11/A.

Molnlycke IFU Solo Pump—Patient Instructions for Use, issued 2013-05/200.6006/A, 448096 rev 04. 121 pages.

Specification and drawings as filed in U.S. Appl. No. 29/492,114 filed May 28, 2014.

Specification and drawings as filed in U.S. Appl. No. 29/492,729, filed Jun. 2, 2014.

Specification and drawings as filed in U.S. Appl. No. 29/492,728, filed Jun. 2, 2014.

Specification and drawings as filed in U.S. Appl. No. 29/492,724, filed Jun. 2, 2014.

Specification and drawings as filed in U.S. Appl. No. 29/492,121, filed May 28, 2014.

Specification and drawings as filed in U.S. Appl. No. 29/491,116, filed May 28, 2014.

International Preliminary Report on Patentability, re PCT Application No. PCT/US2014/026692, dated Sep. 24, 2015.

Specification and drawings as filed in U.S. Appl. No. 29/574,909, filed Aug. 19, 2016.

Specification and drawings as filed in U.S. Appl. No. 29/575,187, filed Aug. 23, 2016.

* cited by examiner

Primary Examiner — Barbara Fox
Assistant Examiner — Lilyana Bekic
 (74) *Attorney, Agent, or Firm* — Knobbe, Martens, Olson & Bear LLP

(57) CLAIM

The ornamental design for a therapy unit assembly, as shown and described.

DESCRIPTION

FIG. 1 is a top, front, and left side perspective view of a therapy unit assembly showing our new design.

FIG. 2 is a bottom, rear, and right side perspective view thereof.

FIG. 3 is a top plan view thereof.

FIG. 4 is a bottom plan view thereof.

FIG. 5 is a left side view thereof.

FIG. 6 is a right side view thereof.

FIG. 7 is a front view thereof; and,

FIG. 8 is a rear view thereof.

The broken lines illustrate portions of the therapy unit assembly which form no part of the claimed design.

1 Claim, 6 Drawing Sheets

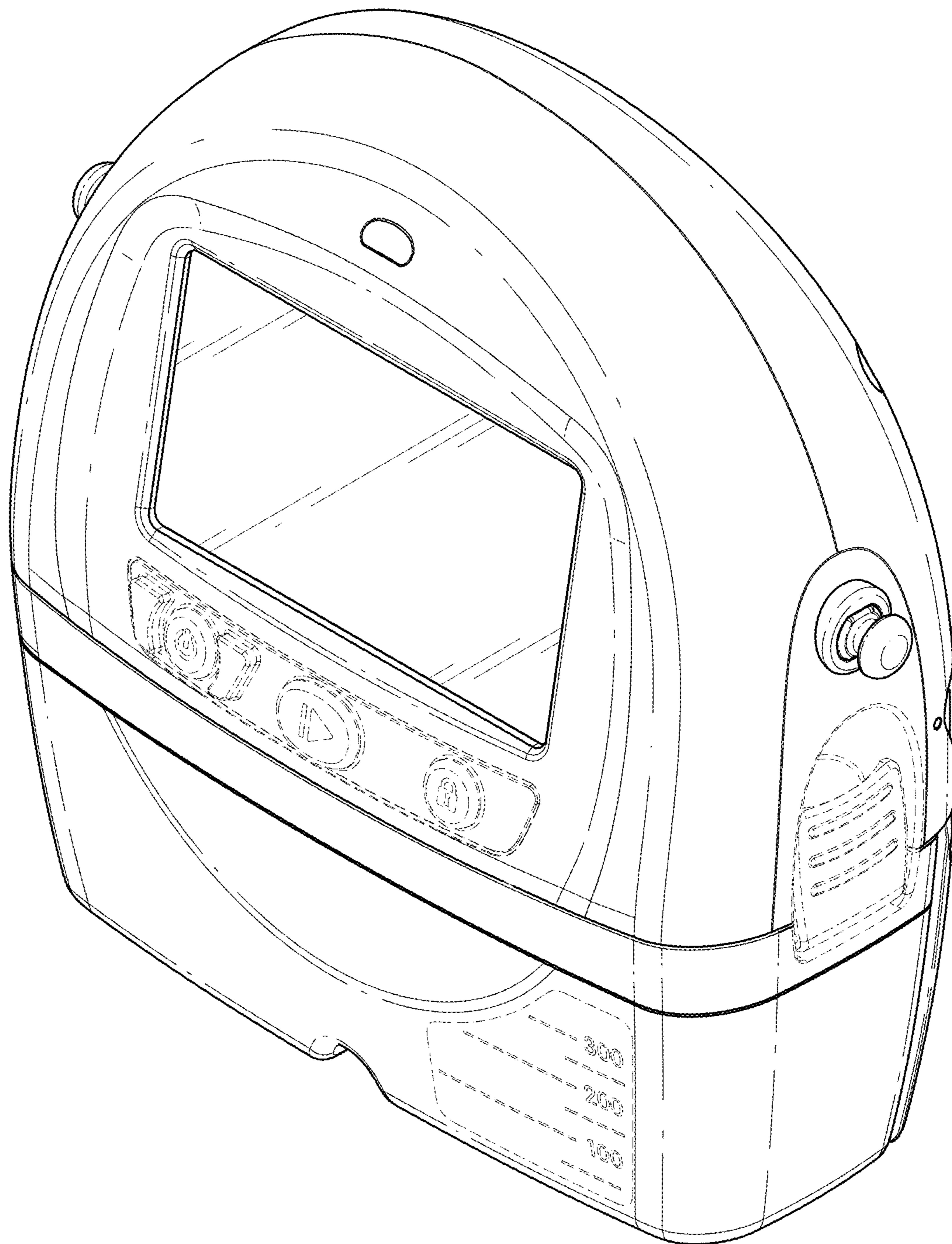


FIG. 1

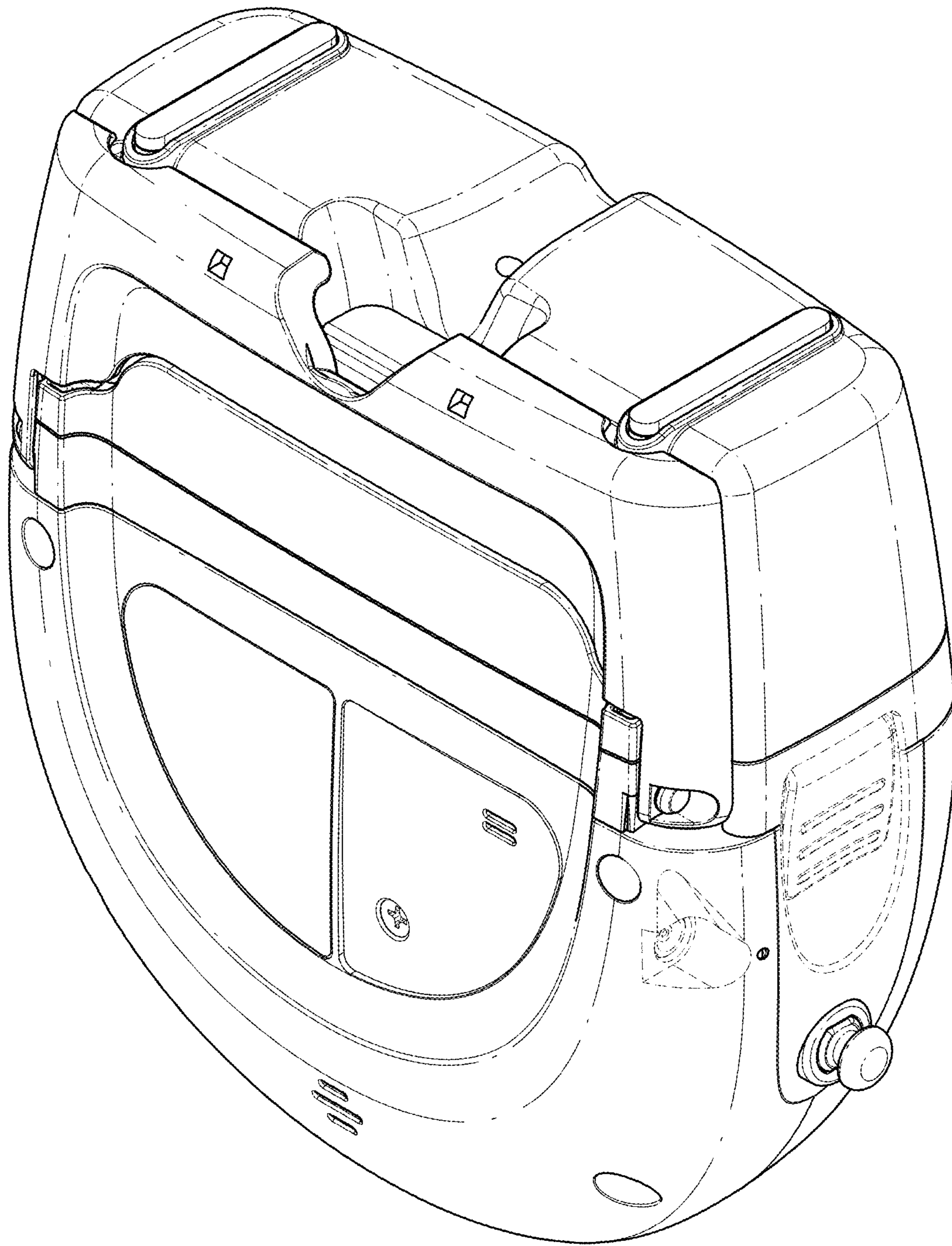


FIG. 2

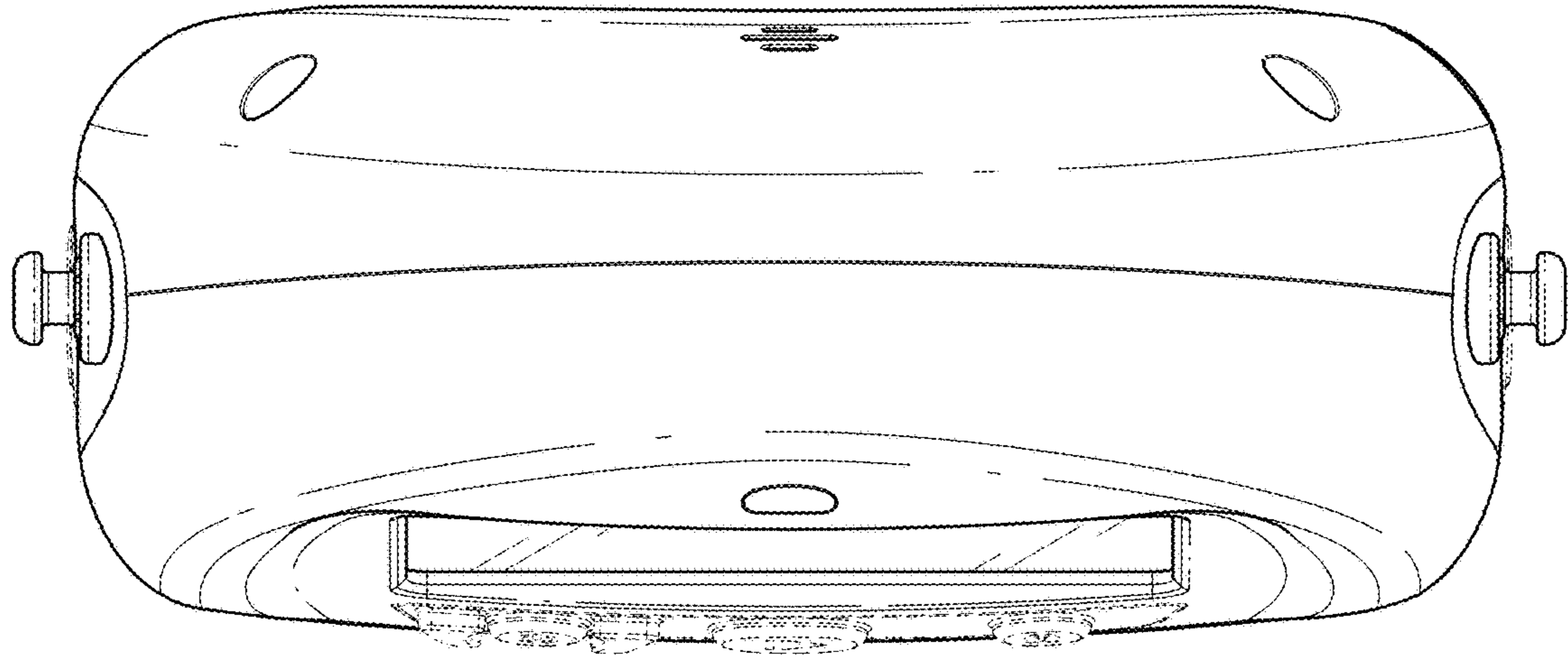


FIG. 3

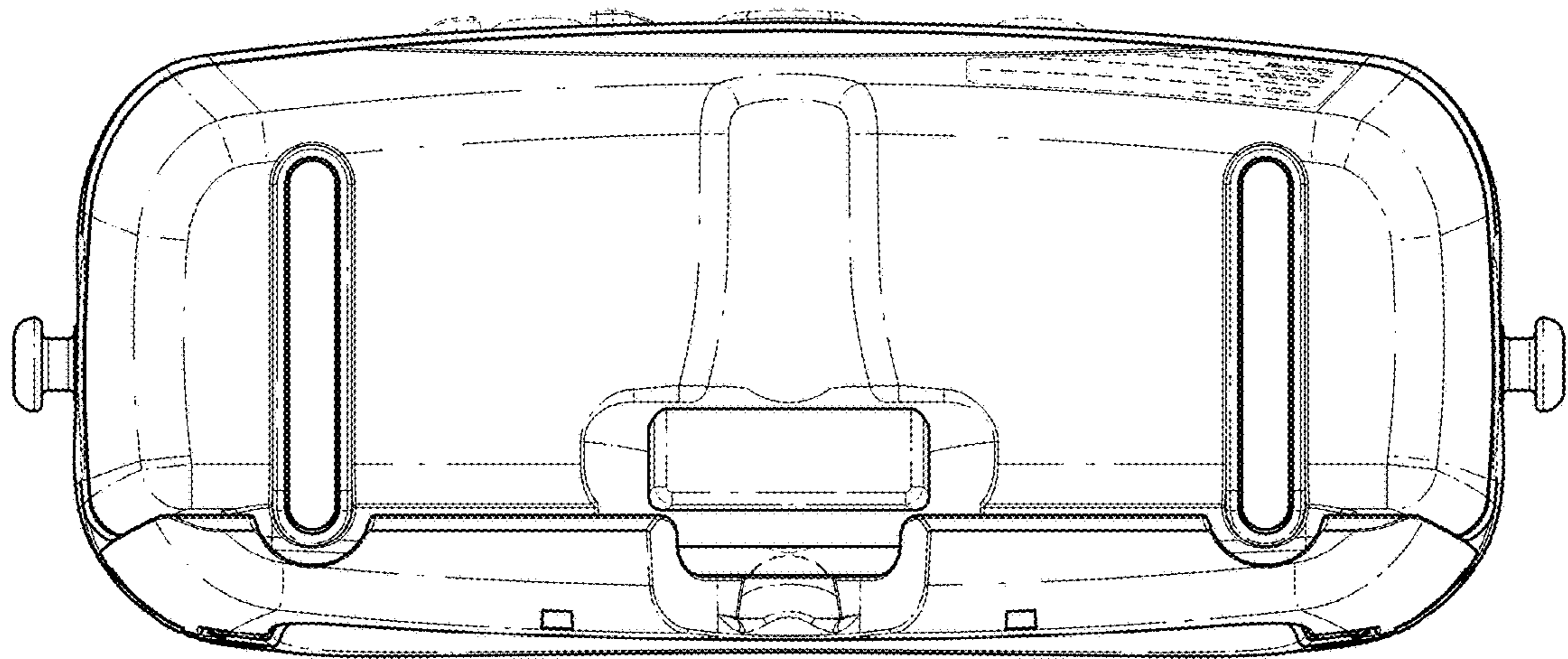


FIG. 4

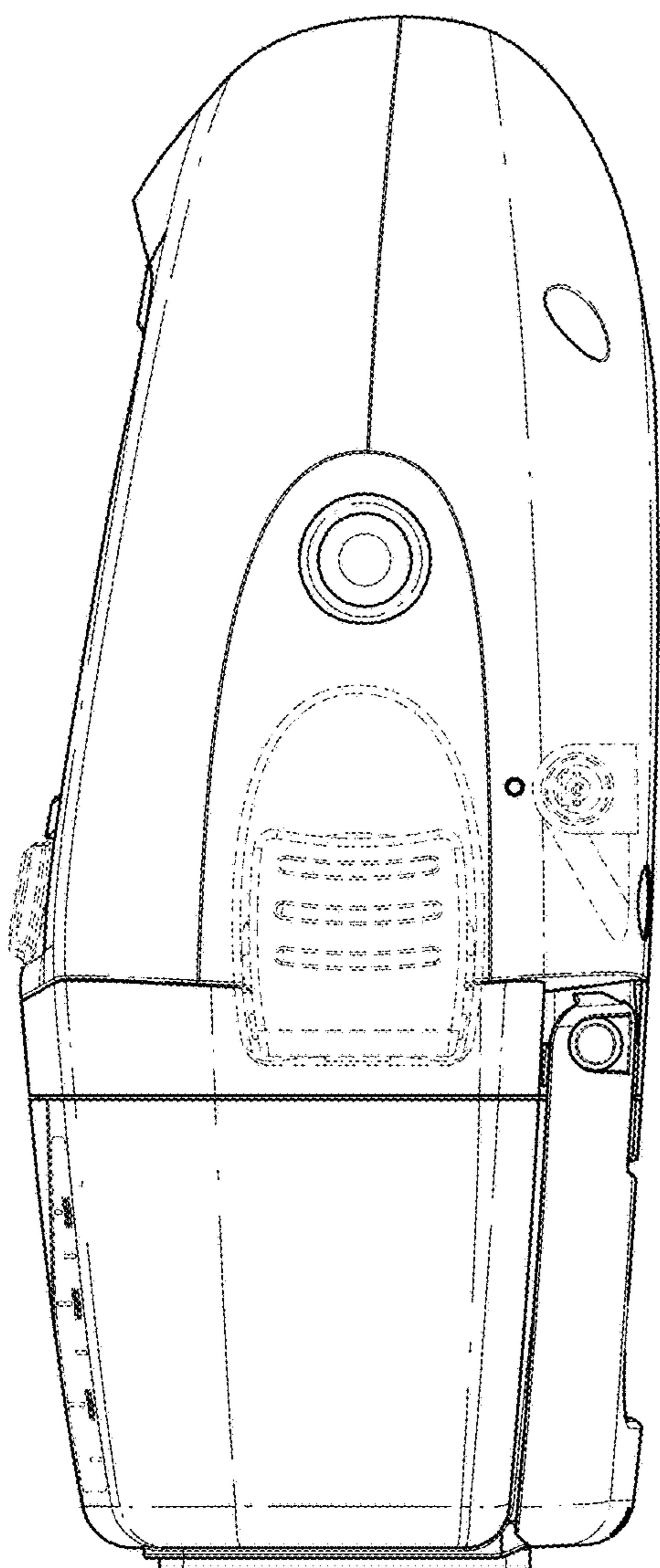


FIG. 5

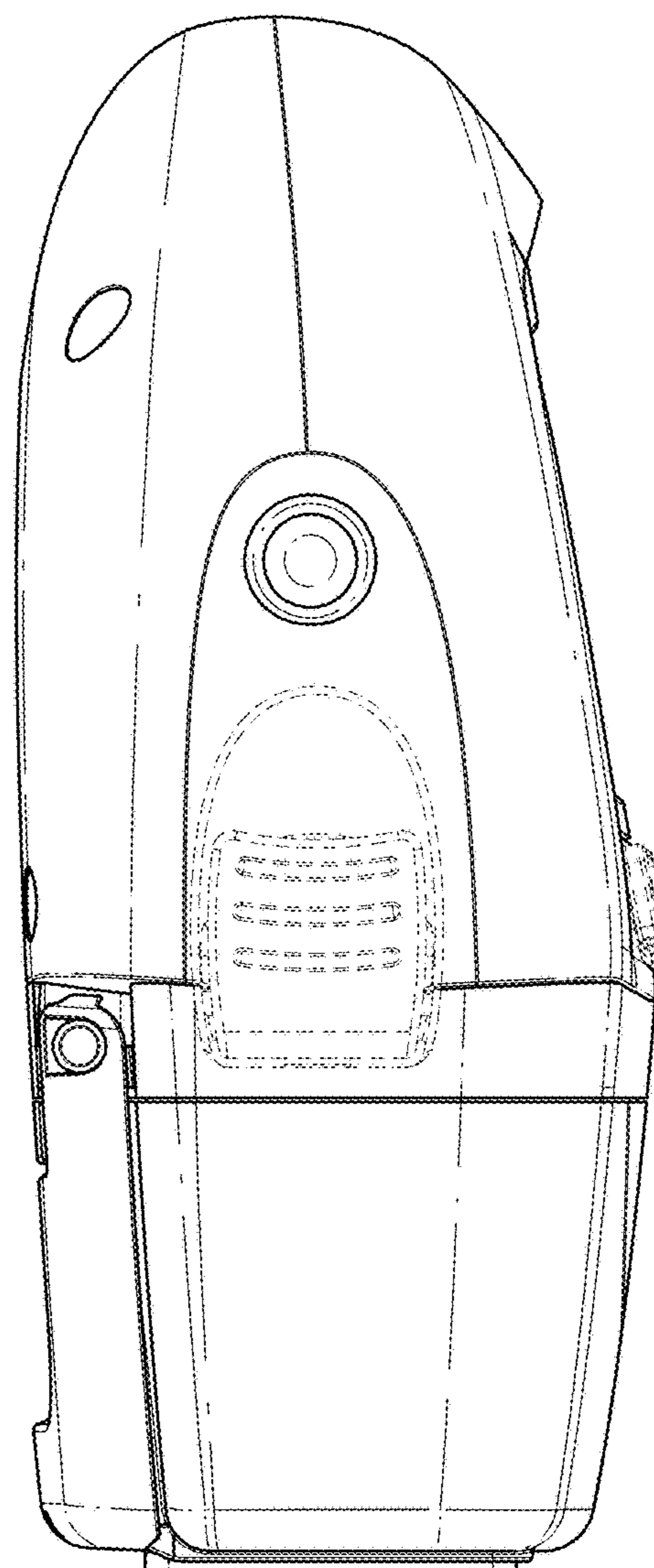


FIG. 6

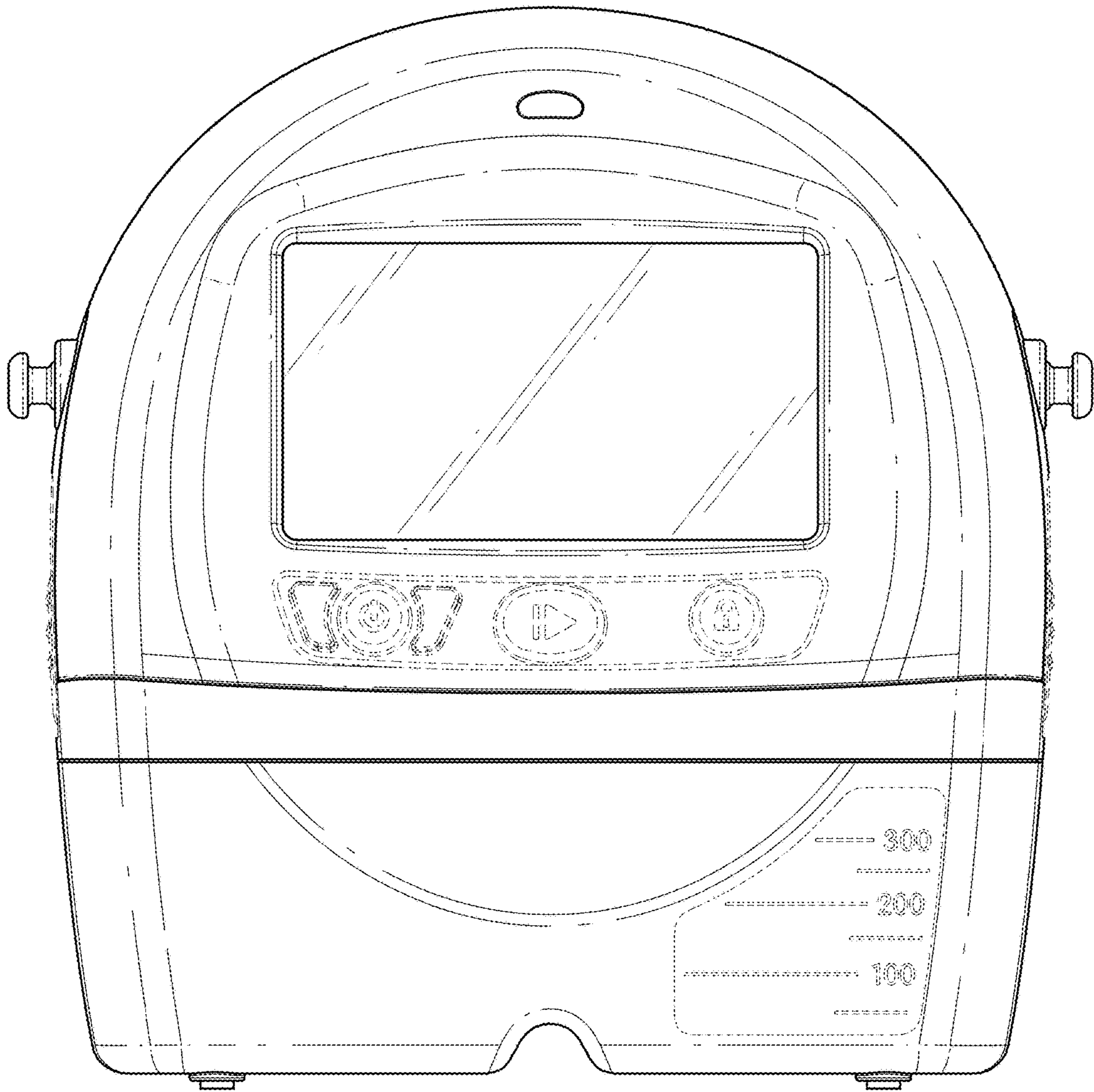


FIG. 7

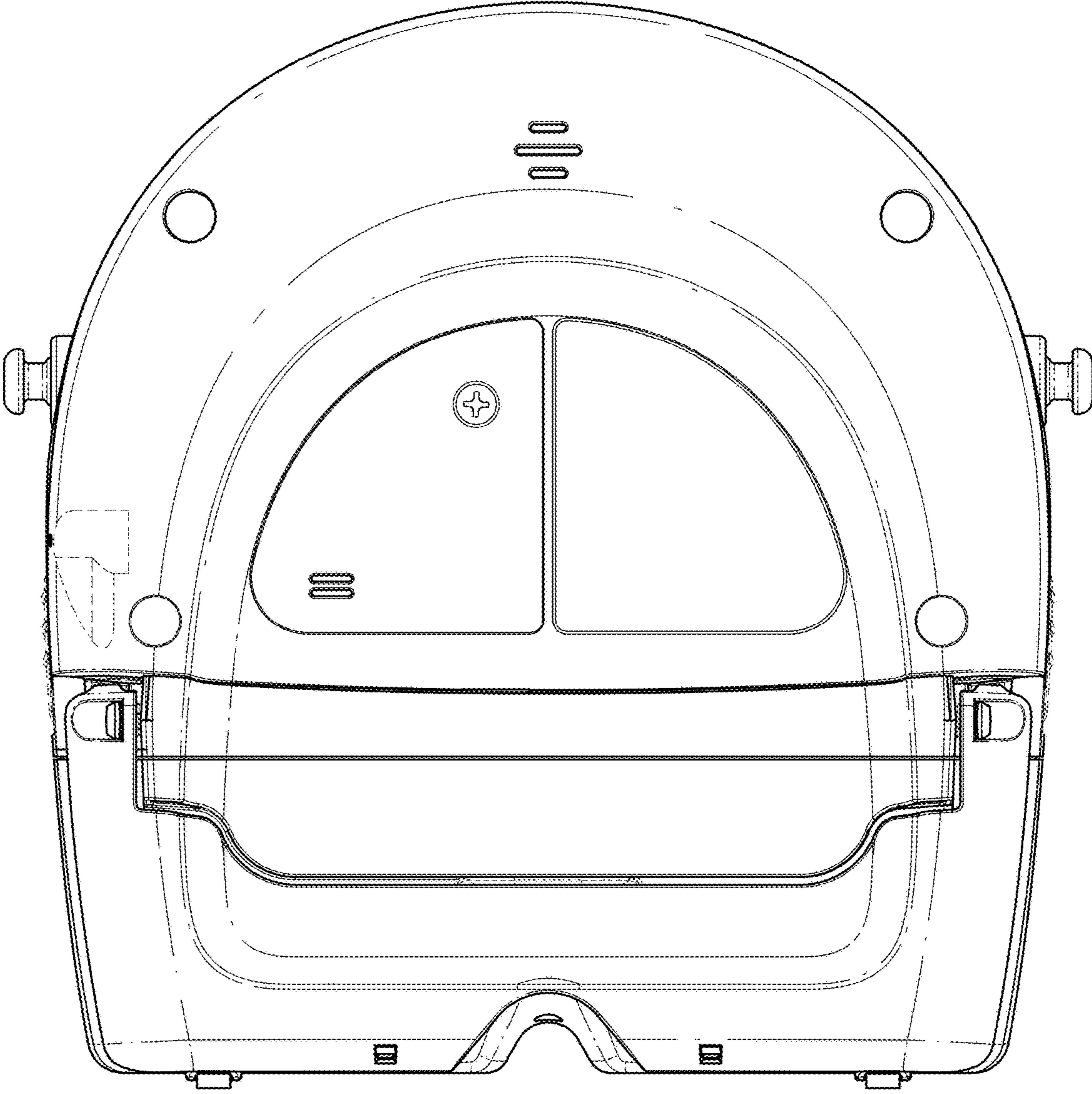


FIG. 8