



US00D815722S

(12) **United States Design Patent**  
**Muller et al.**

(10) **Patent No.:** **US D815,722 S**  
(45) **Date of Patent:** **\*\* Apr. 17, 2018**

(54) **VENTILATOR**

(71) Applicants: **Rainer Muller**, Zweiflingen-Pfahlbach (DE); **Jens Muller**, Kunzelsau (DE); **Jochen Hafner**, Blaufelden (DE)

(72) Inventors: **Rainer Muller**, Zweiflingen-Pfahlbach (DE); **Jens Muller**, Kunzelsau (DE); **Jochen Hafner**, Blaufelden (DE)

(73) Assignee: **EBM-PAPST MULFINGERN GmbH & Co. KG** (DE)

(\*\*) Term: **15 Years**

(21) Appl. No.: **29/538,292**

(22) Filed: **Sep. 2, 2015**

(30) **Foreign Application Priority Data**

Mar. 5, 2015 (DE) ..... 40 2015 100 200

(51) **LOC (11) Cl.** ..... **23-04**

(52) **U.S. Cl.**  
USPC ..... **D23/370**

(58) **Field of Classification Search**  
USPC ..... D23/370, 355, 414, 377, 385, 383;  
D9/561  
CPC .... F04D 29/329; F04D 25/082; F04D 29/325;  
F04D 29/703; F04D 29/547  
See application file for complete search history.

(56) **References Cited**

**U.S. PATENT DOCUMENTS**

D768,838 S \* 10/2016 Ritch ..... D23/324  
D785,776 S \* 5/2017 Hirano ..... D23/370

D786,417 S \* 5/2017 Hirano ..... D23/370  
D786,418 S \* 5/2017 Hirano ..... D23/370  
2016/0131392 A1\* 5/2016 Mantyla ..... F24F 13/082  
454/353

\* cited by examiner

*Primary Examiner* — Cynthia Underwood  
(74) *Attorney, Agent, or Firm* — Tarolli, Sundheim, Covell & Tummino LLP

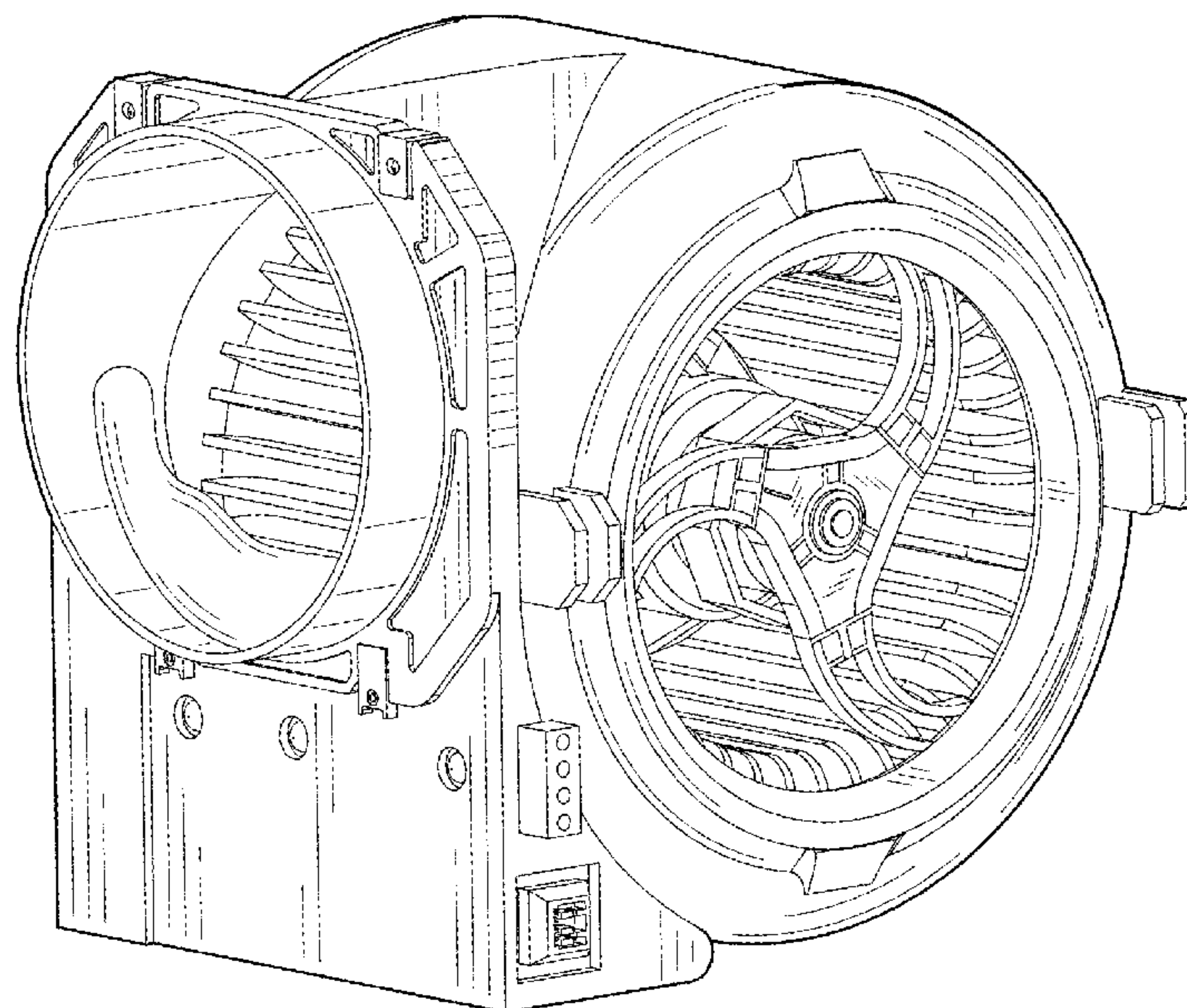
(57) **CLAIM**

We claim the ornamental design for a ventilator, as shown and described.

**DESCRIPTION**

FIG. 1 is a perspective view of a ventilator (dunstgebläse) comprising a new, original and ornamental design;  
FIG. 2 is a left side elevational view of the ventilator (dunstgebläse) shown in FIG. 1;  
FIG. 3 is a right side elevational view of the ventilator (dunstgebläse) shown in FIG. 1;  
FIG. 4 is a front view of the ventilator (dunstgebläse) shown in FIG. 1; and  
FIG. 5 is a rear view of the ventilator (dunstgebläse) shown in FIG. 1.  
FIG. 6 is a top plan view of ventilator (dunstgebläse) shown in FIG. 1; and,  
FIG. 7 is a bottom view of ventilator (dunstgebläse) shown in FIG. 1.  
The broken lines represent portions of the structure that forms no part of the claim.

**1 Claim, 7 Drawing Sheets**



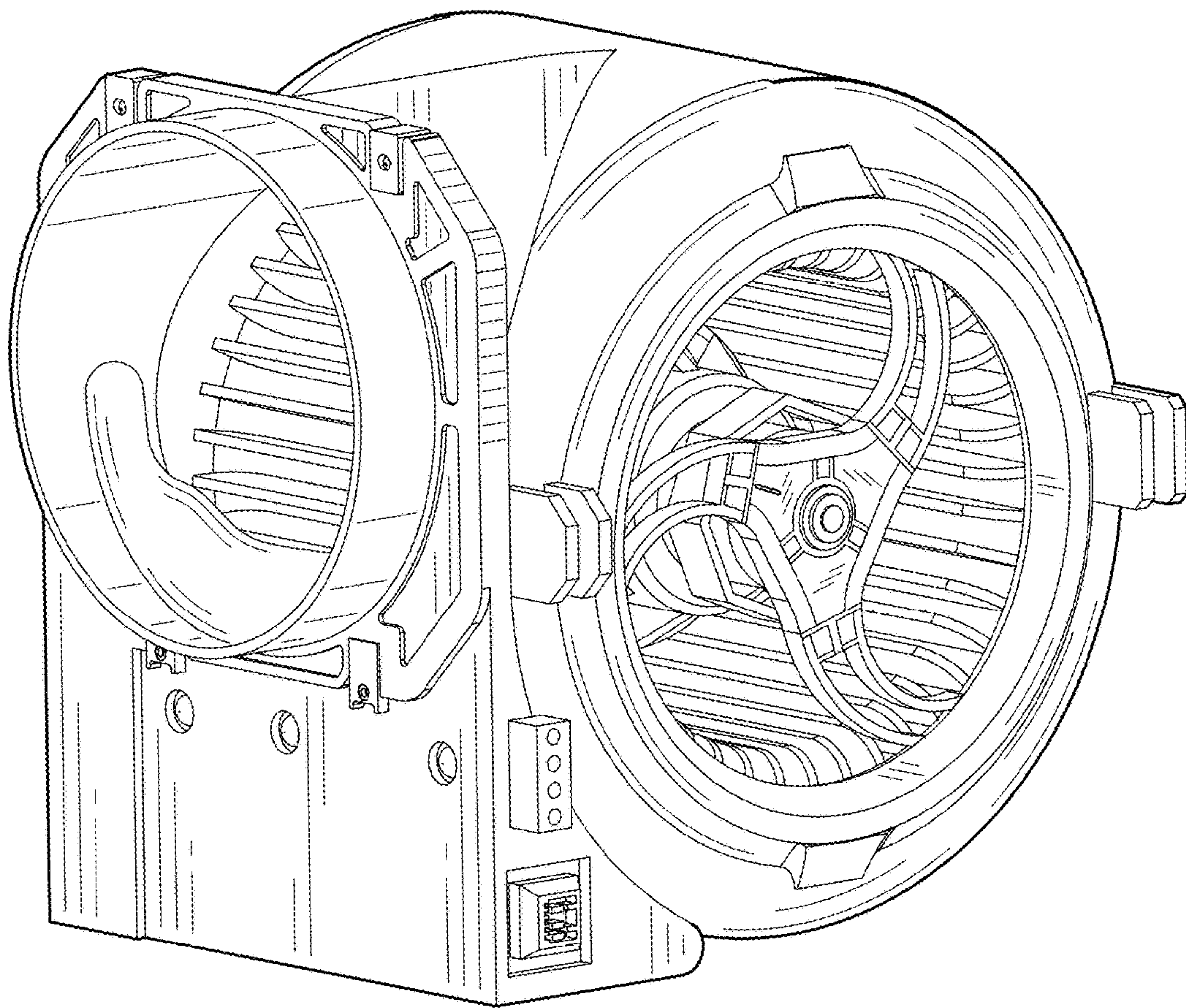


FIG. 1



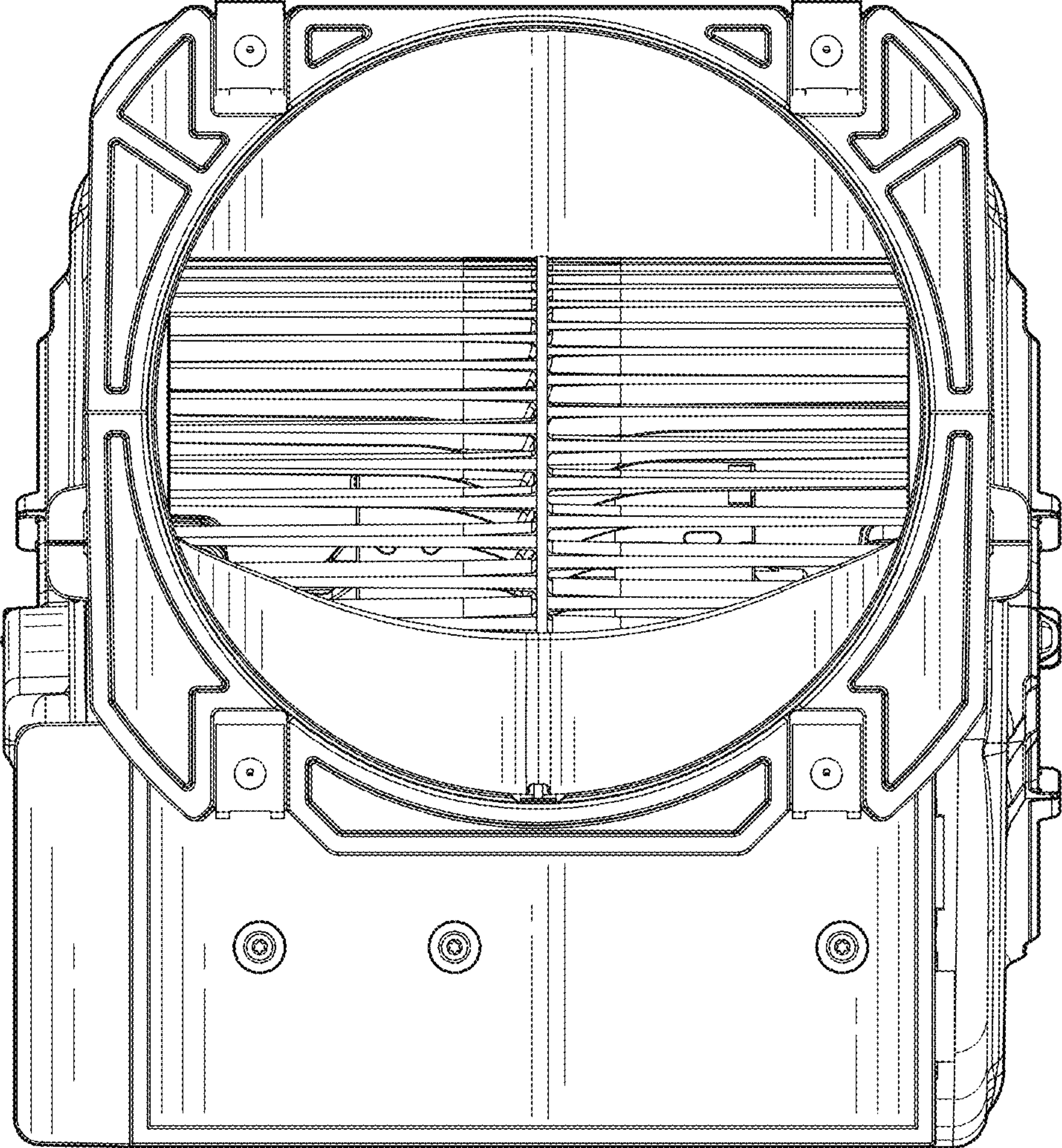


FIG. 2

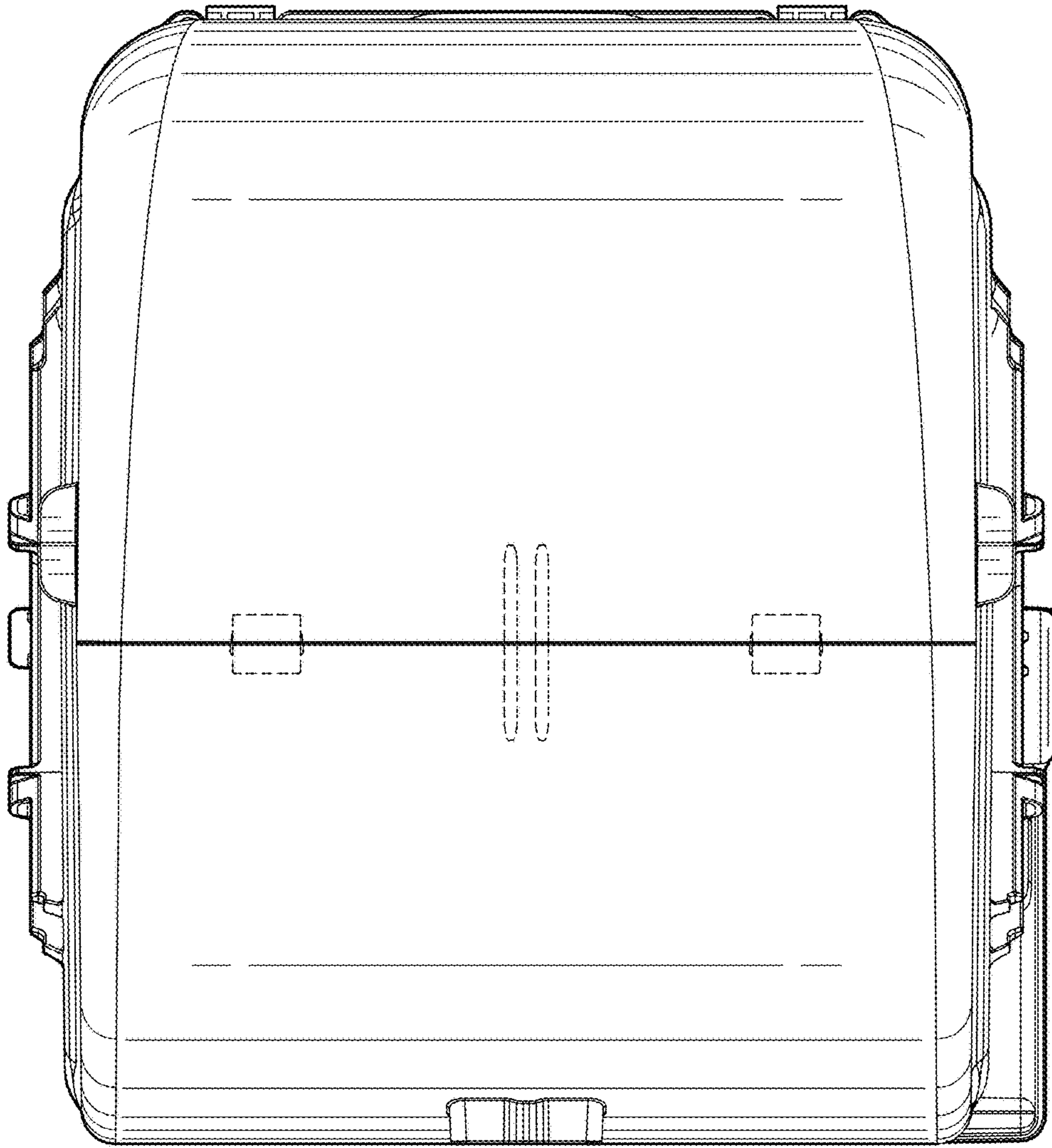


FIG. 3



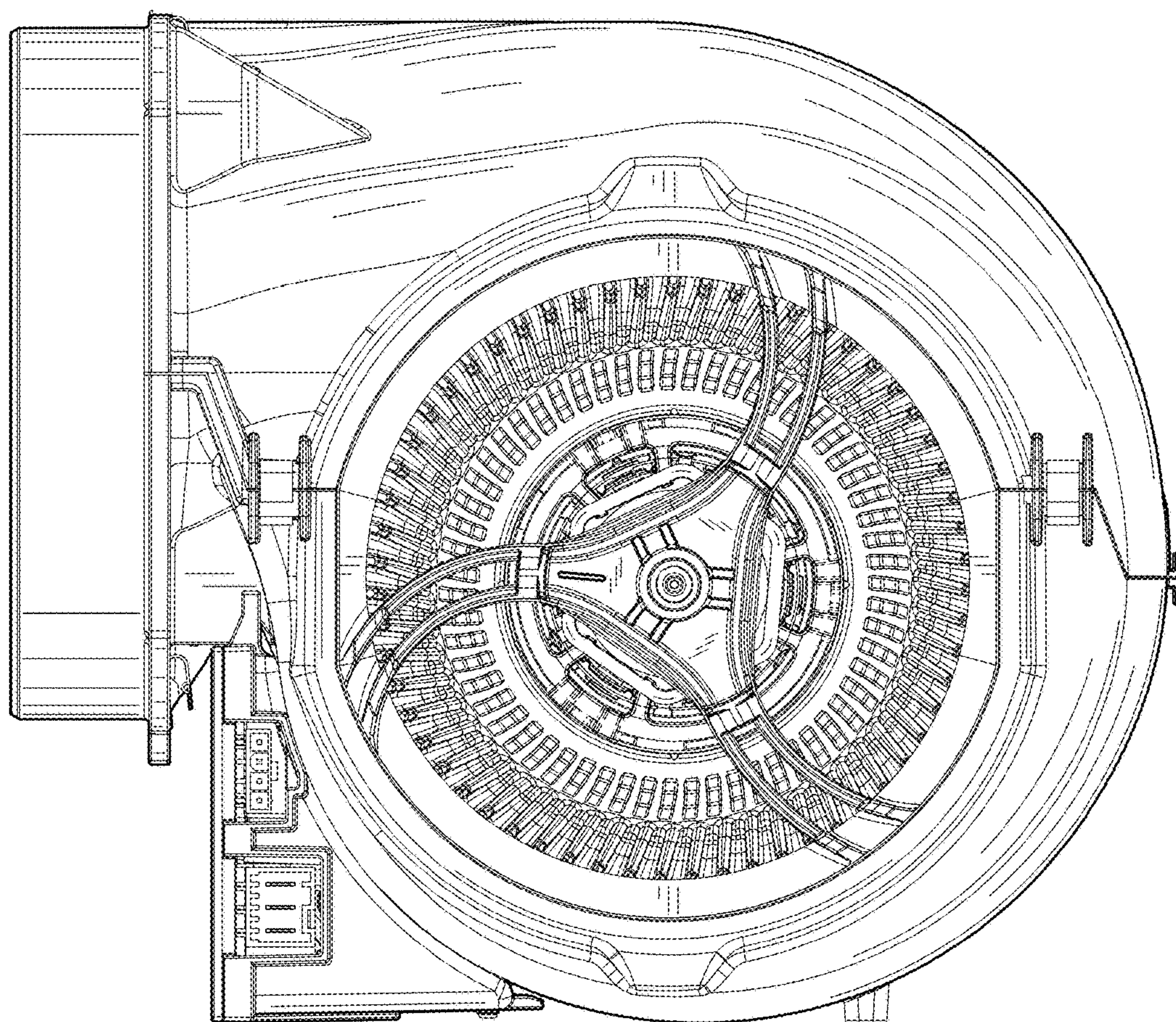


FIG. 4



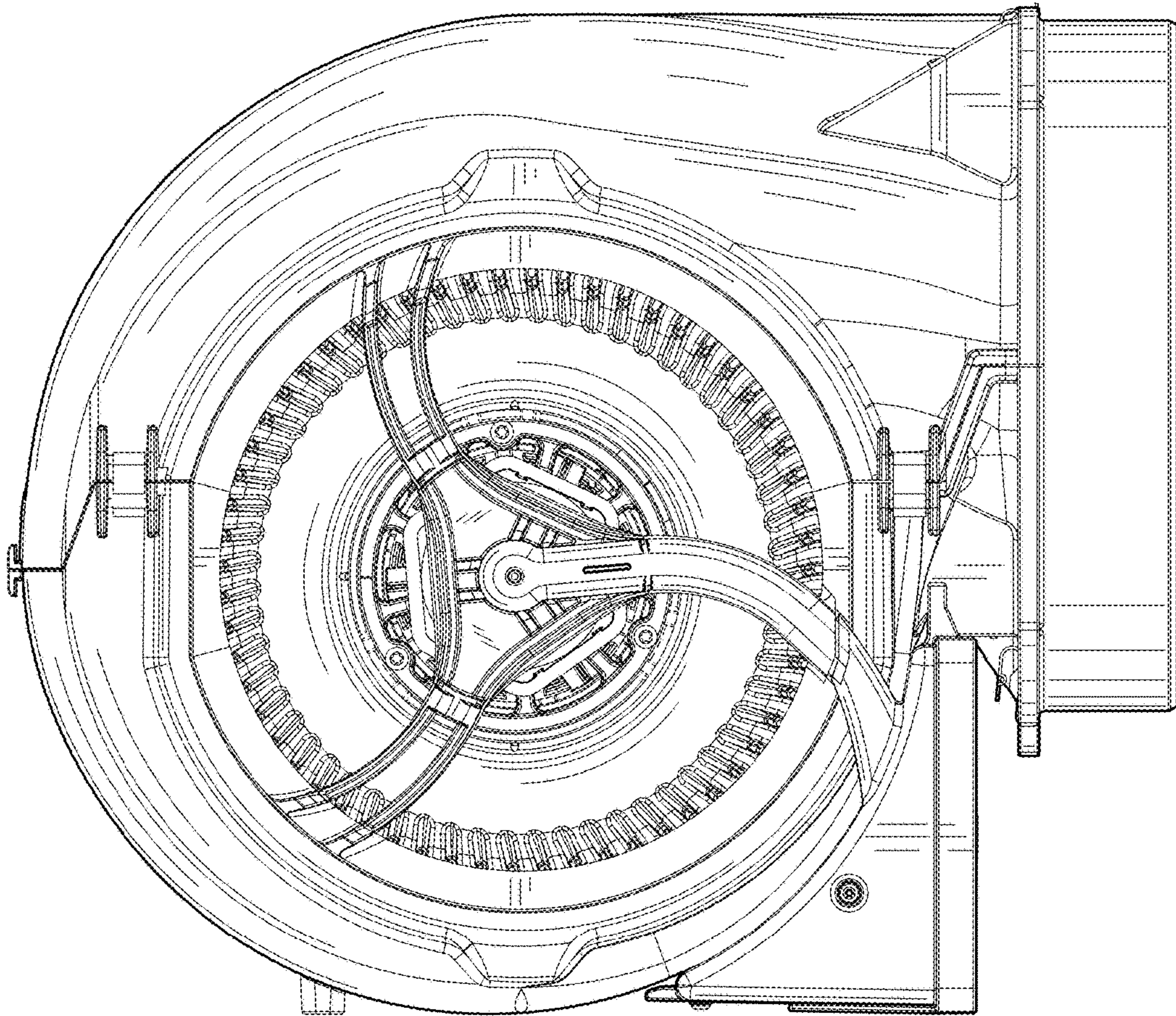


FIG. 5

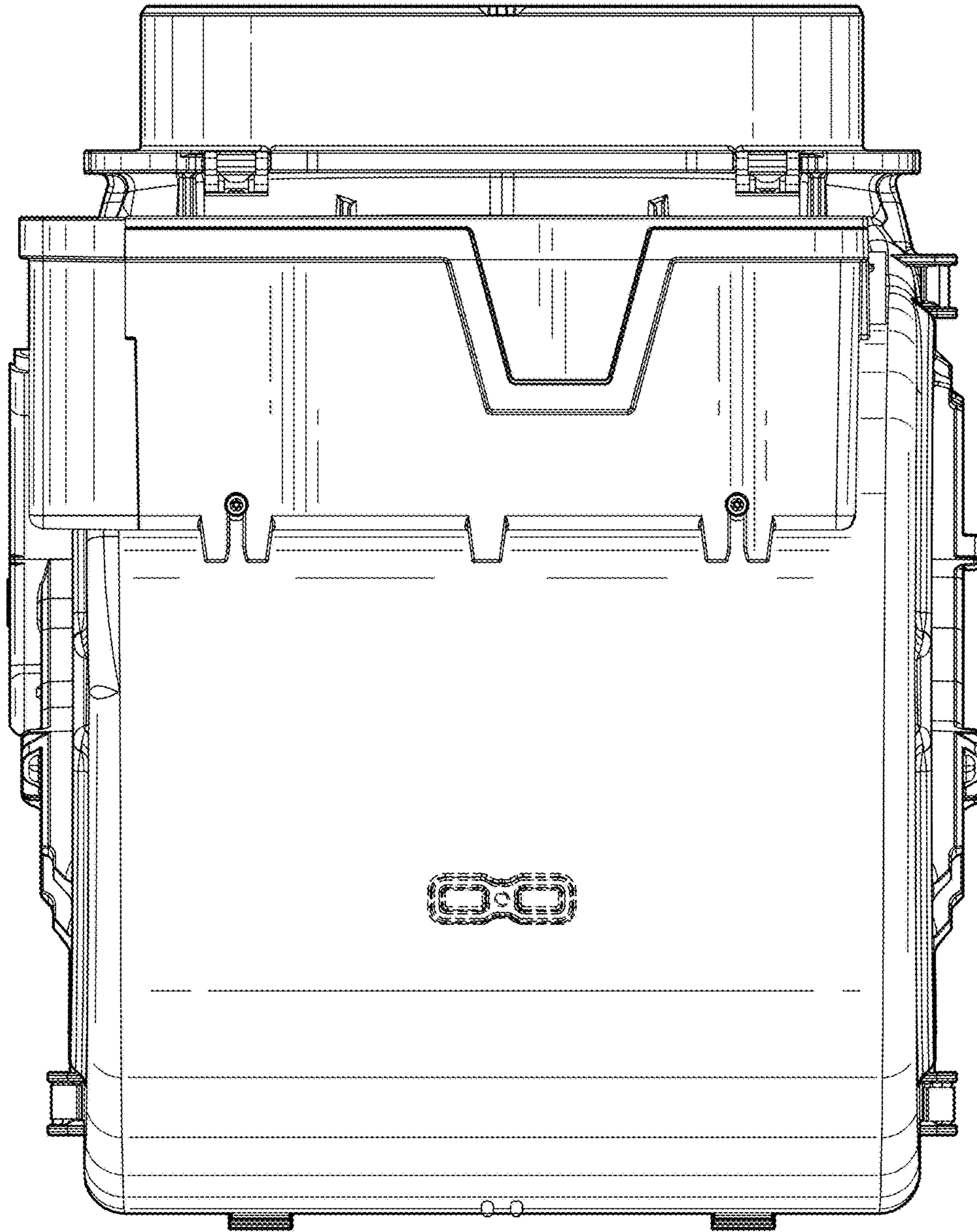


FIG. 6



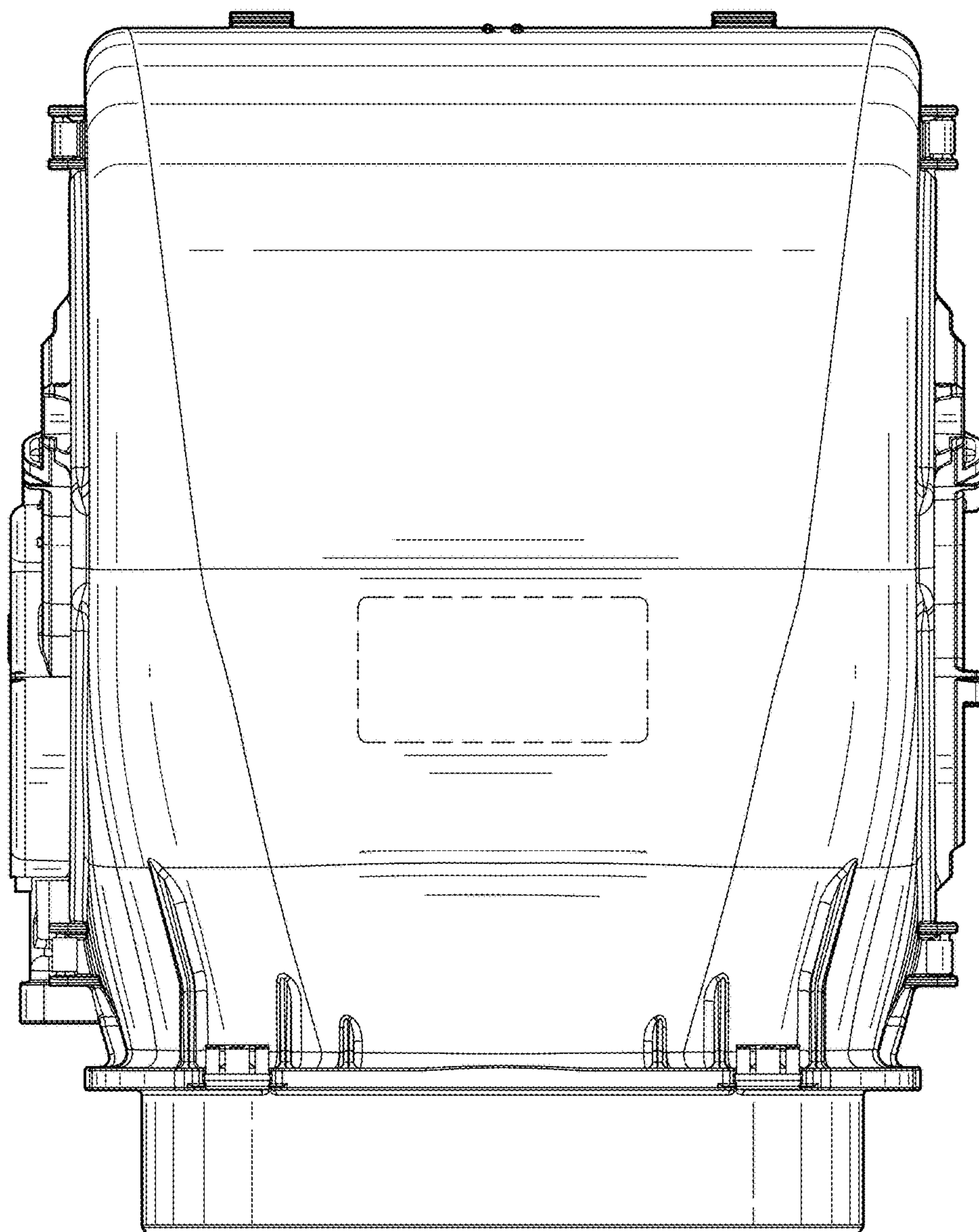


FIG. 7