



US00D815720S

(12) **United States Design Patent** (10) **Patent No.:** **US D815,720 S**
Hu (45) **Date of Patent:** **** Apr. 17, 2018**

(54) **AROMATHERAPY HUMIDIFIER**

(71) Applicant: **Yangmin Hu**, Shenzhen (CN)

(72) Inventor: **Yangmin Hu**, Shenzhen (CN)

(**) Term: **15 Years**

(21) Appl. No.: **29/579,429**

(22) Filed: **Sep. 29, 2016**

(51) **LOC (11) Cl.** **28-99**

(52) **U.S. Cl.**
USPC **D23/366**

(58) **Field of Classification Search**
USPC D23/314, 325, 333-336, 355-367,
D23/386-388

CPC Y10T 428/1366; Y10T 2597/00; B32B
2597/00; A61M 25/0012; B01D 46/00;
B01D 46/0004; B01D 27/04

See application file for complete search history.

(56) **References Cited**

U.S. PATENT DOCUMENTS

D535,004 S	*	1/2007	Furner	D23/366
D538,915 S	*	3/2007	Anderson	D23/366
D543,265 S	*	5/2007	Tan	D23/364
D583,453 S	*	12/2008	Kay	D23/366
D583,455 S	*	12/2008	Kay	D23/366
D583,921 S	*	12/2008	Kay	D23/366
D629,880 S	*	12/2010	Hisey	D23/366
D632,774 S	*	2/2011	Hisey	D23/366
D715,910 S	*	10/2014	Lin	A61L 9/03 D23/366

OTHER PUBLICATIONS

BambooAroma Diffuser reference found online [Jun. 1, 2017]
https://www.alibaba.com/product-detail/Table-top-plastic-small-300ml-vase_60644812264.html?spm=a2700.7724838.0.0.WVWXYa.*

* cited by examiner

Primary Examiner — Robert M. Spear
Assistant Examiner — John A Voytek

(57) **CLAIM**

The ornamental design for an aromatherapy humidifier, as shown and described.

DESCRIPTION

FIG. 1 is a perspective view of on aromatherapy humidifier showing my new design;

FIG. 2 is a front elevational view thereof;

FIG. 3 is a mar elevational view thereof;

FIG. 4 is a left side devotional view thereof;

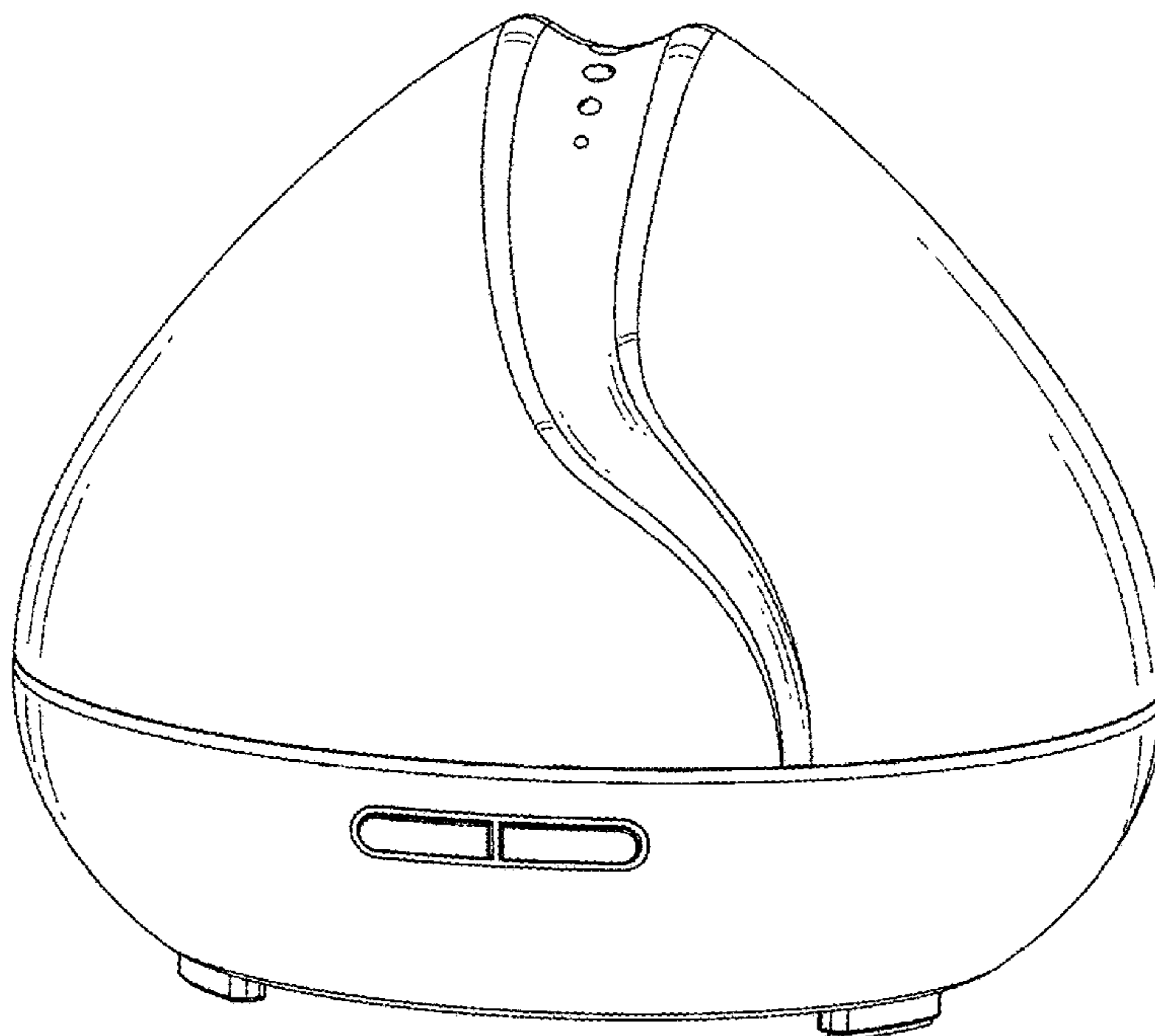
FIG. 5 is a right side elevational view thereof;

FIG. 6 is a top plan view thereof; and,

FIG. 7 is a bottom plan view thereof.

The broken lines in the drawings illustrate portions of the aromatherapy humidifier that forms no part of the claimed design.

1 Claim, 7 Drawing Sheets



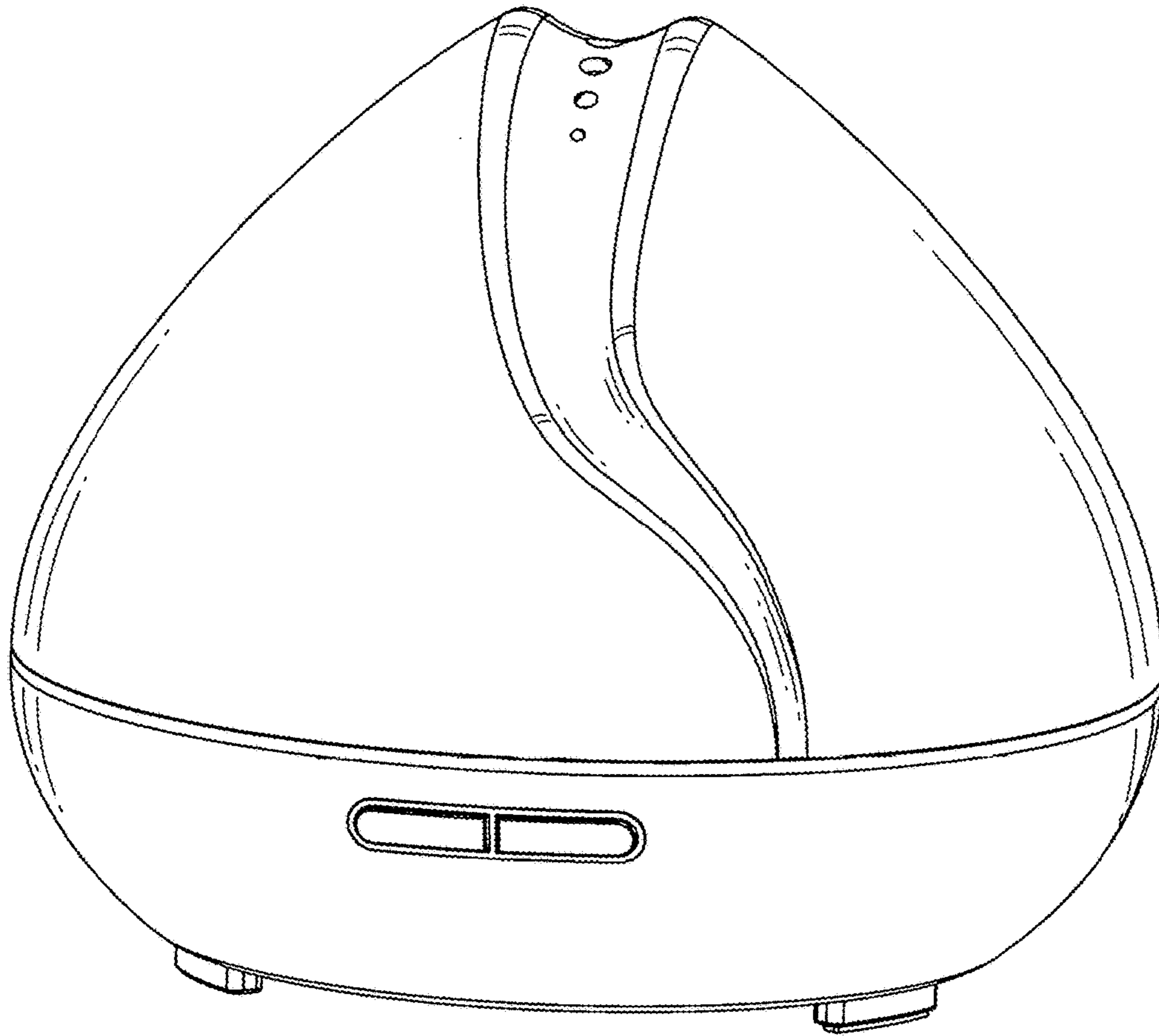


Fig.1

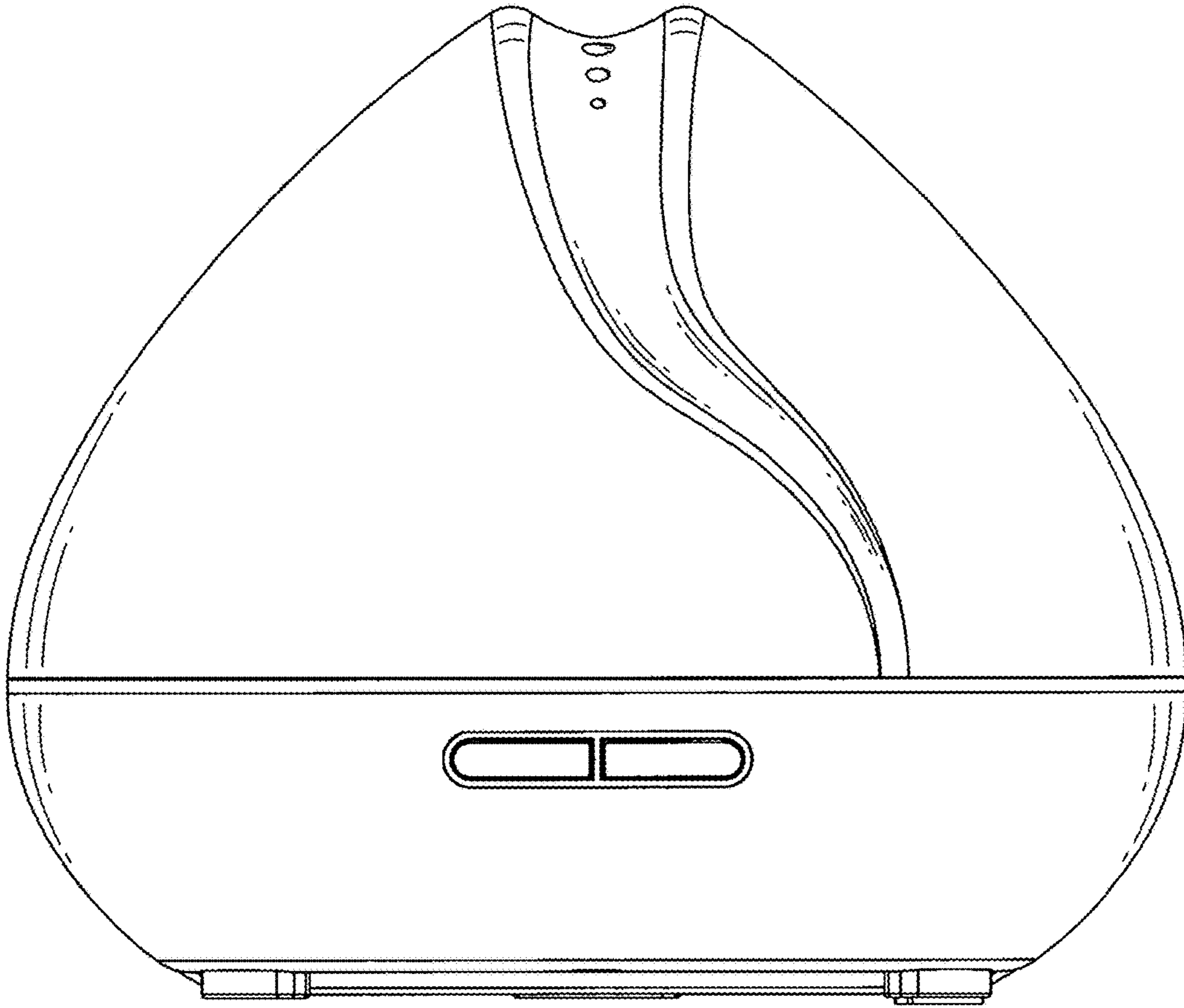


Fig.2

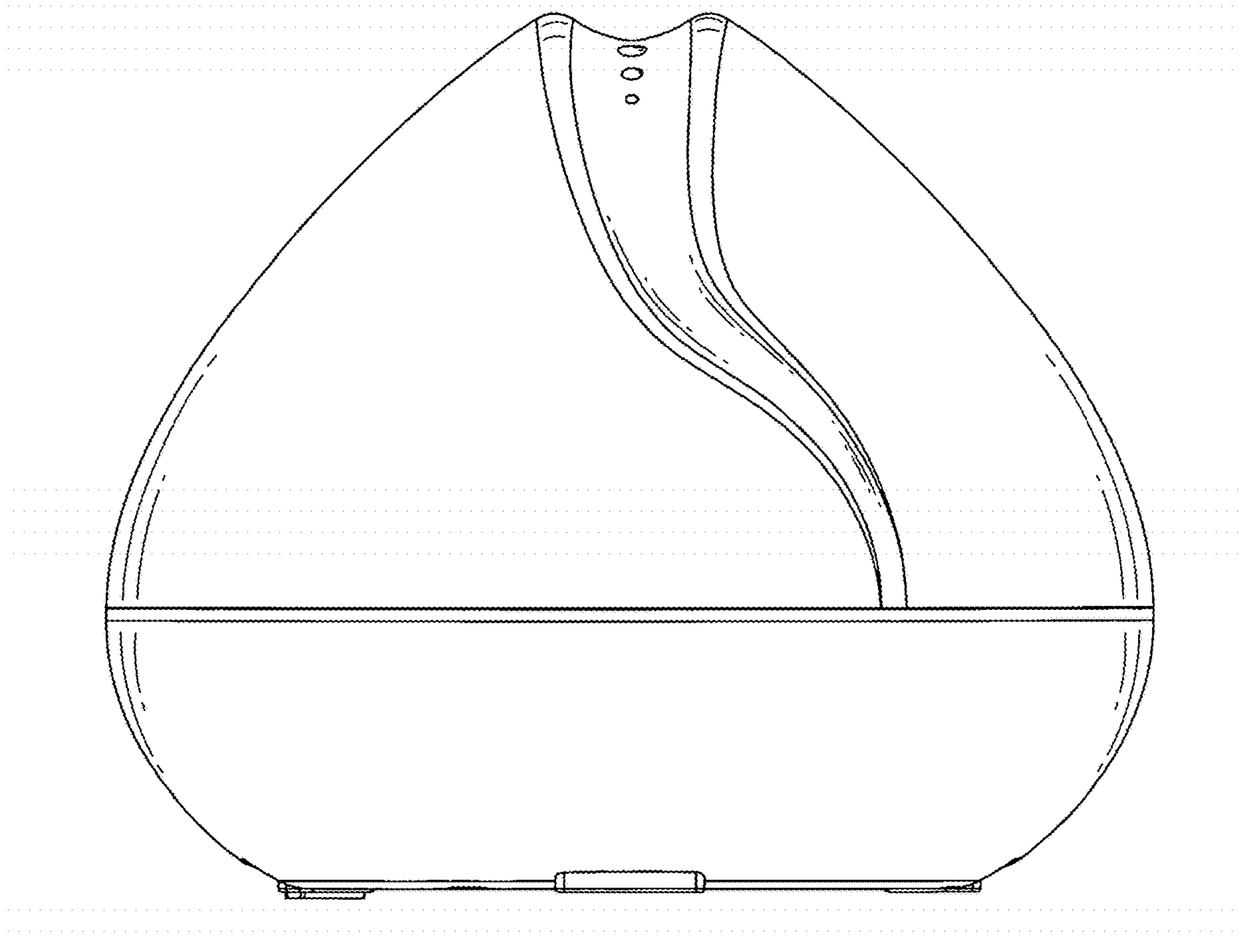


Fig.3

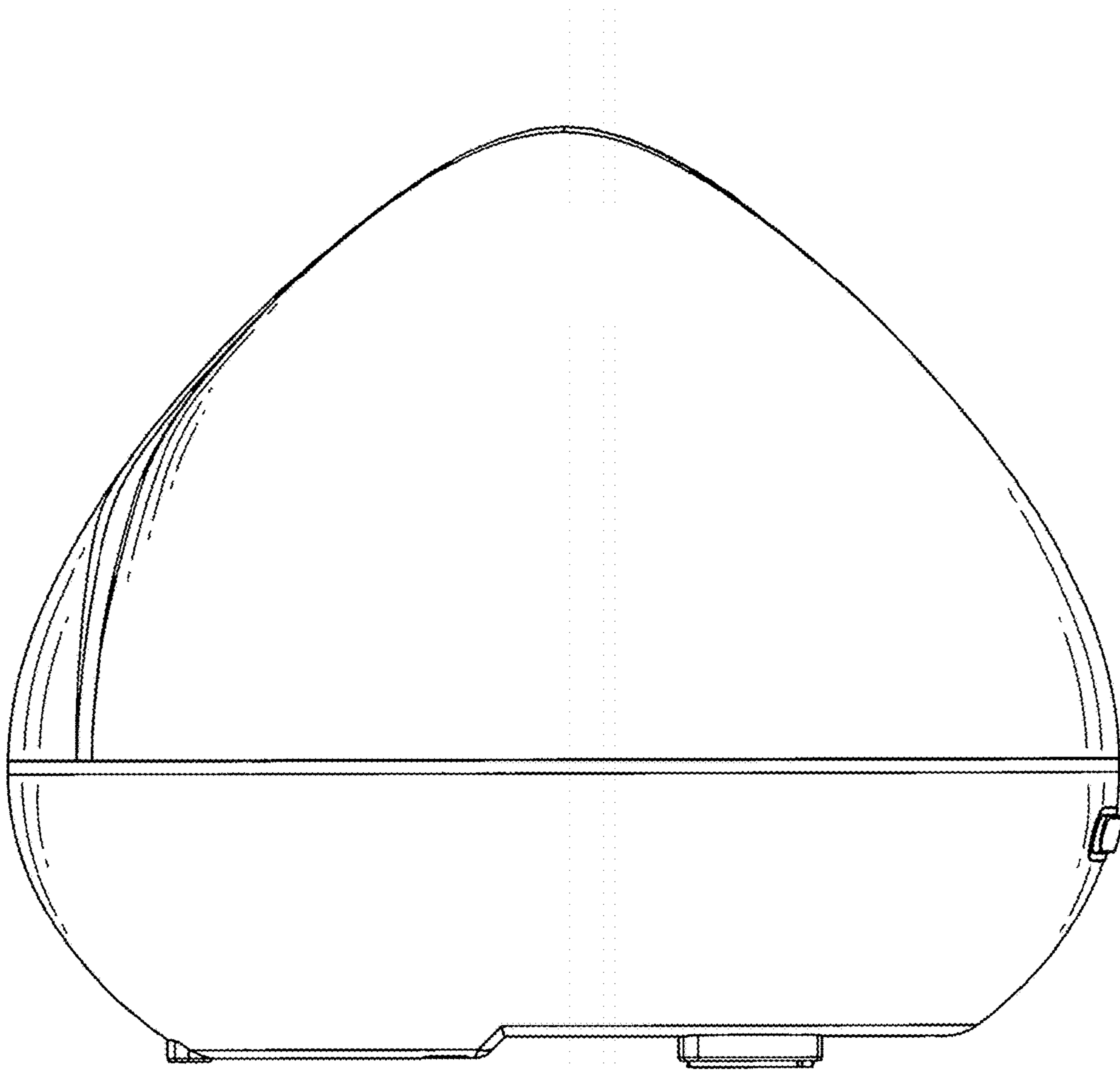


Fig.4

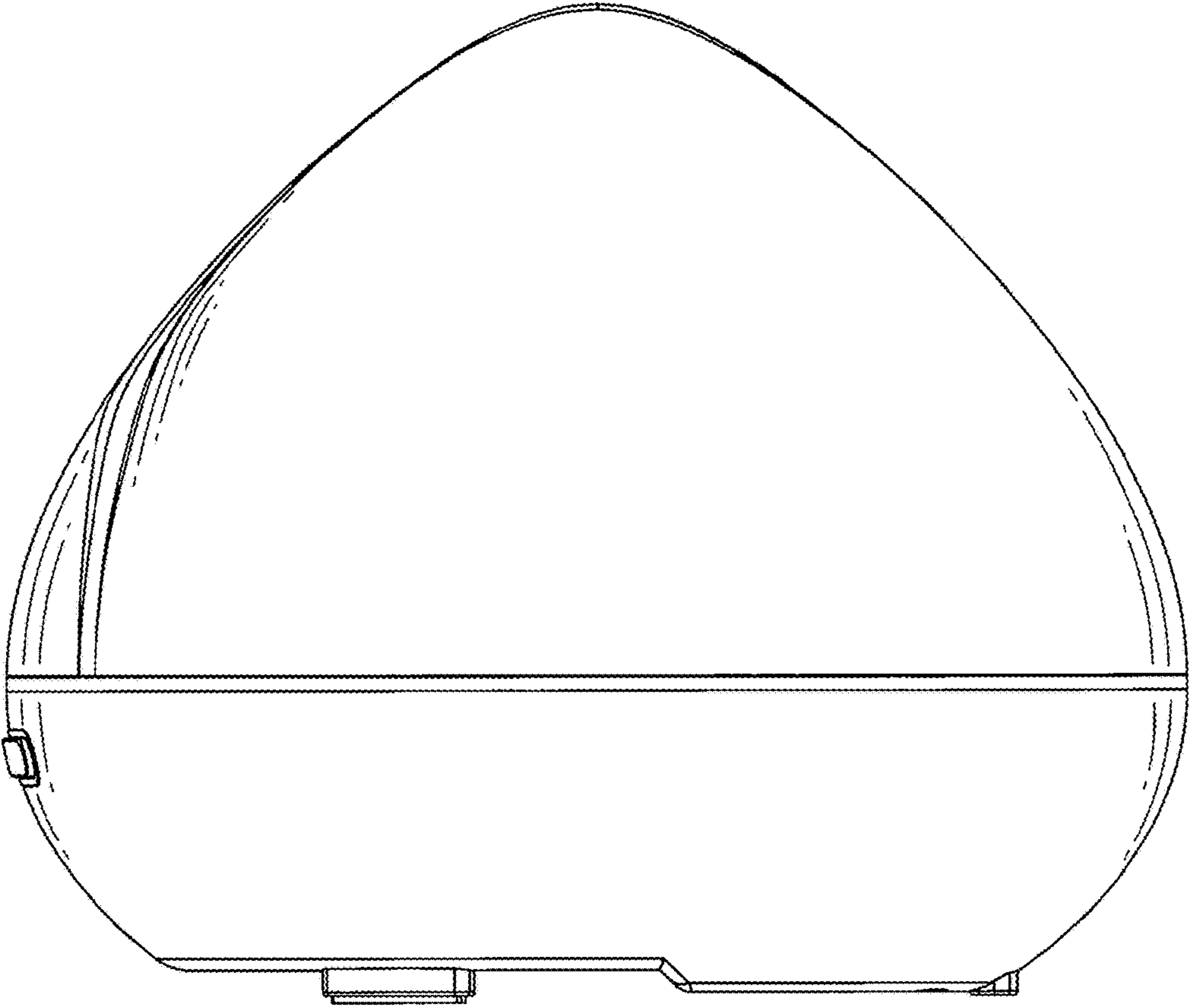


Fig.5

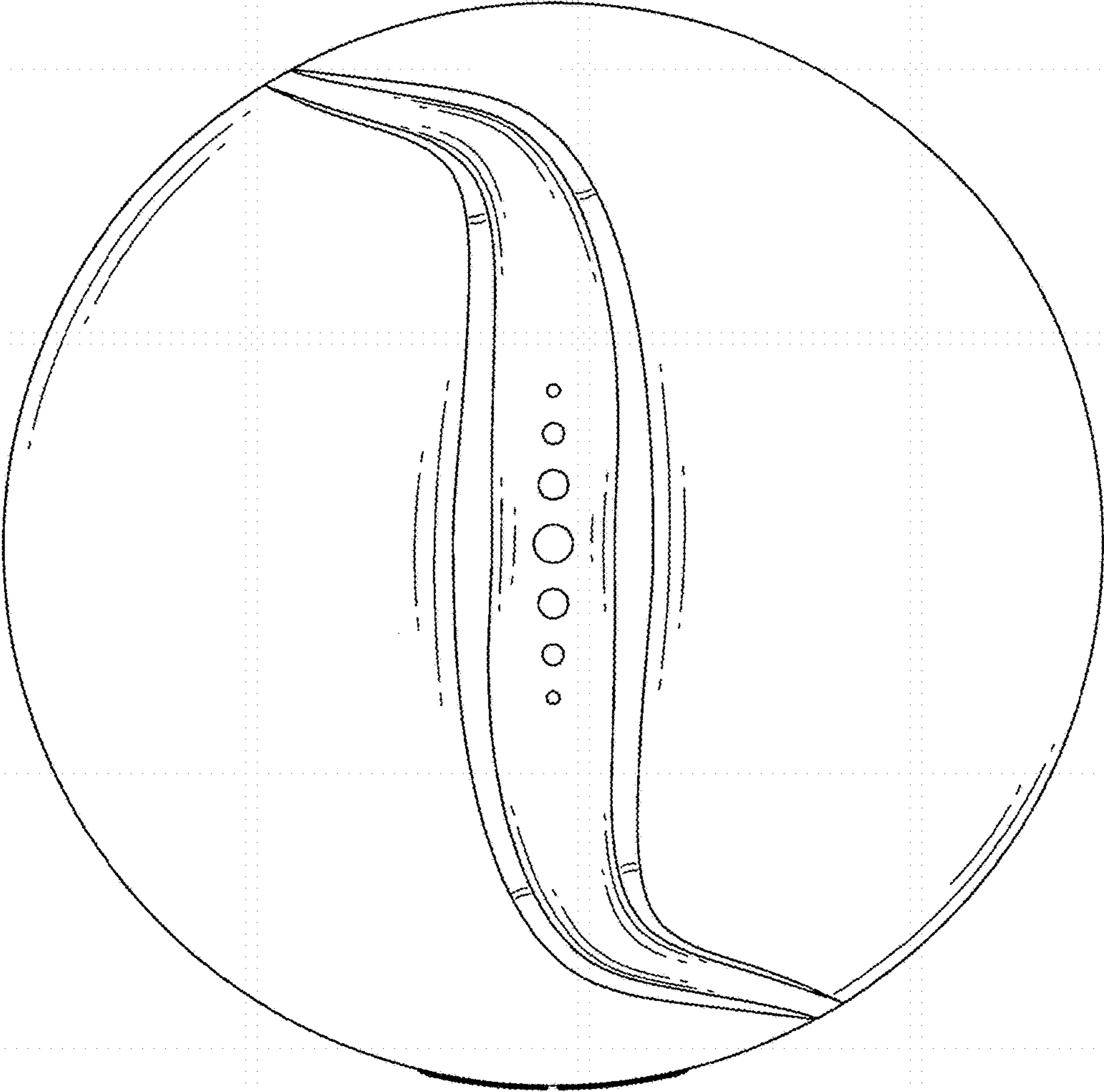


Fig.6

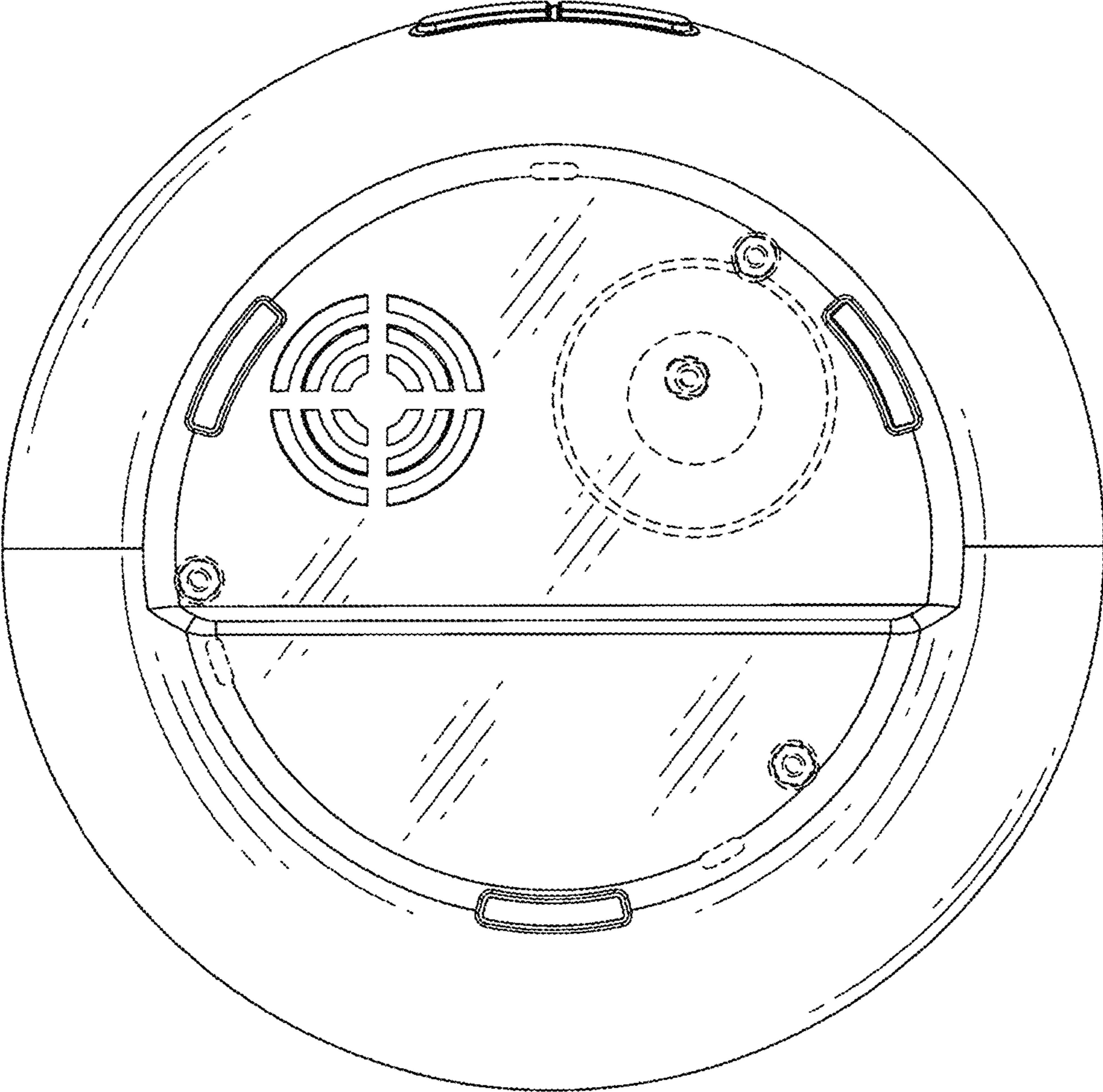


Fig.7