



US00D815718S

(12) **United States Design Patent** (10) **Patent No.:** **US D815,718 S**
Garrels et al. (45) **Date of Patent:** **** Apr. 17, 2018**

(54) **TOILET**
(71) Applicant: **Kohler Co.**, Kohler, WI (US)
(72) Inventors: **Clayton C. Garrels**, Kohler, WI (US);
Robin A. Goad, Sheboygan, WI (US)
(73) Assignee: **KOHLER CO.**, Kohler, WI (US)
(**) Term: **15 Years**
(21) Appl. No.: **29/567,490**
(22) Filed: **Jun. 9, 2016**
(51) **LOC (11) Cl.** **23-02**
(52) **U.S. Cl.**
USPC **D23/301**
(58) **Field of Classification Search**
USPC D23/295-301, 303, 309, 313
CPC A47K 11/02; A47K 11/026
See application file for complete search history.

D749,710 S * 2/2016 Eads D23/295
D751,679 S * 3/2016 McNinch D23/295
D751,680 S * 3/2016 McNinch D23/301

OTHER PUBLICATIONS

Barrington Pressure Lite Toilet, Kohler Fixtures, Suggested Price Book, p. 311, dated Jan. 15, 2005.
Pinoir Comfort Height Toilet, Kohler Fixtures, Suggested Price Book, p. 264, dated Jan. 13, 2007.
Wellworth Comfort Height Toilet with Concealed Trapway, Kohler Fixtures, Suggested Price Book, p. 265, dated Jan. 13, 2007.

* cited by examiner

Primary Examiner — Robert M. Spear
Assistant Examiner — John A Voytek
(74) *Attorney, Agent, or Firm* — Foley & Lardner LLP

(57) **CLAIM**

We claim the ornamental design for a toilet, as shown and described.

(56) **References Cited**

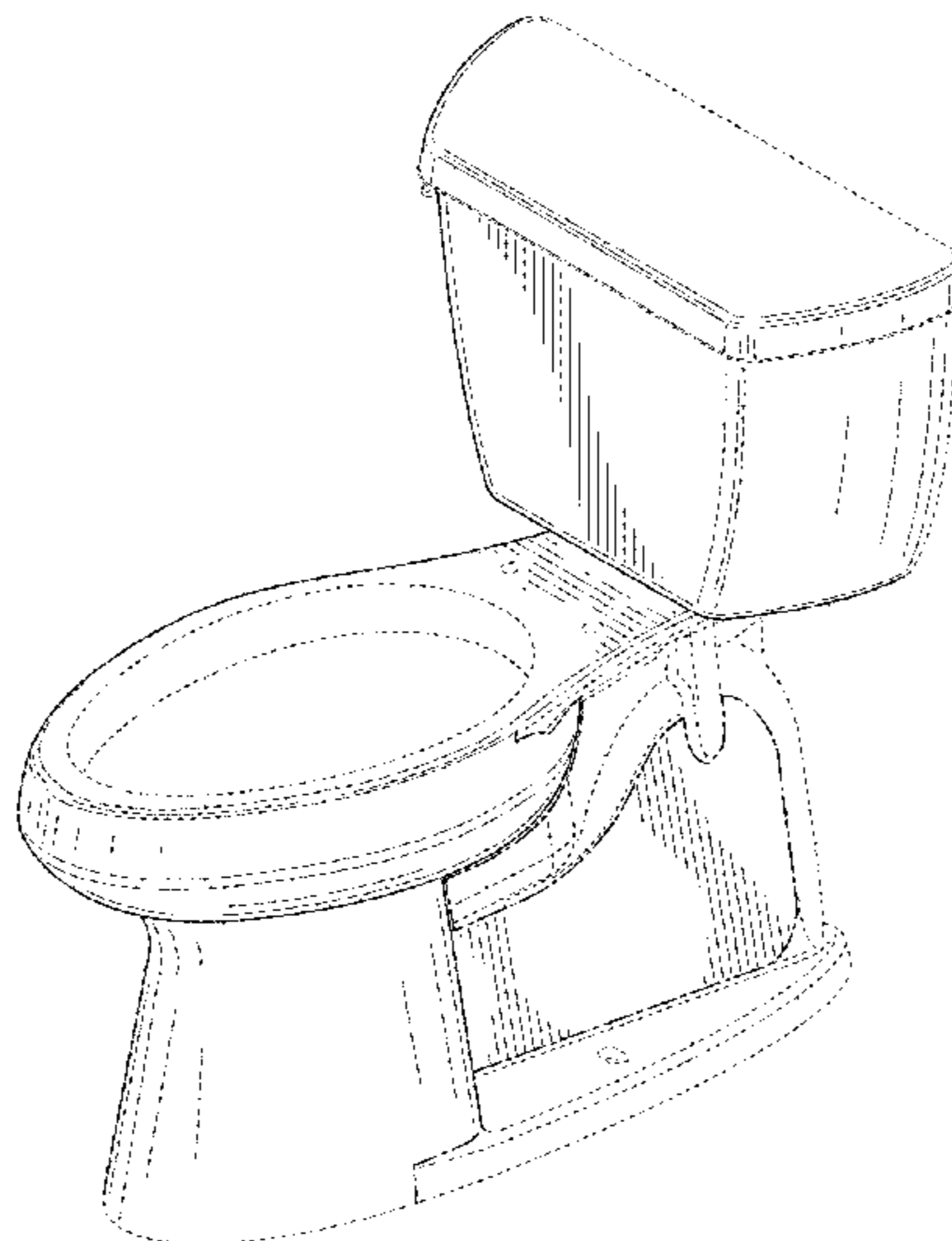
U.S. PATENT DOCUMENTS

D292,431 S 10/1987 Kohler, Jr.
D310,407 S * 9/1990 Stairs, Jr. D23/301
D323,880 S 2/1992 McKeone et al.
D344,579 S 2/1994 Kohler, Jr. et al.
D372,961 S 8/1996 Bonnell et al.
D379,217 S 5/1997 Kergoet
D397,214 S 8/1998 Felker
D437,634 S 2/2001 Hundley
D439,638 S 3/2001 Hundley
D507,335 S 7/2005 Gordon
D507,822 S * 7/2005 Bucher D23/301
D514,208 S 1/2006 Gordon
D520,615 S * 5/2006 Hou D23/301
D532,875 S 11/2006 Kaule
D594,942 S * 6/2009 Slothower D23/295
D672,019 S * 12/2012 Bucher D23/301
D687,933 S * 8/2013 Kennedy D23/295
D690,402 S 9/2013 Bates et al.
D697,579 S 1/2014 O'Grady

DESCRIPTION

FIG. 1 is a perspective view of an embodiment of the claimed design;
FIG. 2 is a top view of the embodiment of FIG. 1;
FIG. 3 is a bottom view of the embodiment of FIG. 1;
FIG. 4 is a front view of the embodiment of FIG. 1;
FIG. 5 is a rear view of the embodiment of FIG. 1;
FIG. 6 is a side view of the embodiment of FIG. 1; and,
FIG. 7 is another side view of the claimed design of FIG. 1.
The ornamental design which is claimed is shown in solid lines in the drawings. The broken lines in the drawings form no part of the claimed design. Broken lines formed by equal length dashes show unclaimed subject matter. Broken lines formed of unequal length dashes (i.e., dash-dot) define bounds of the claimed design.

1 Claim, 7 Drawing Sheets



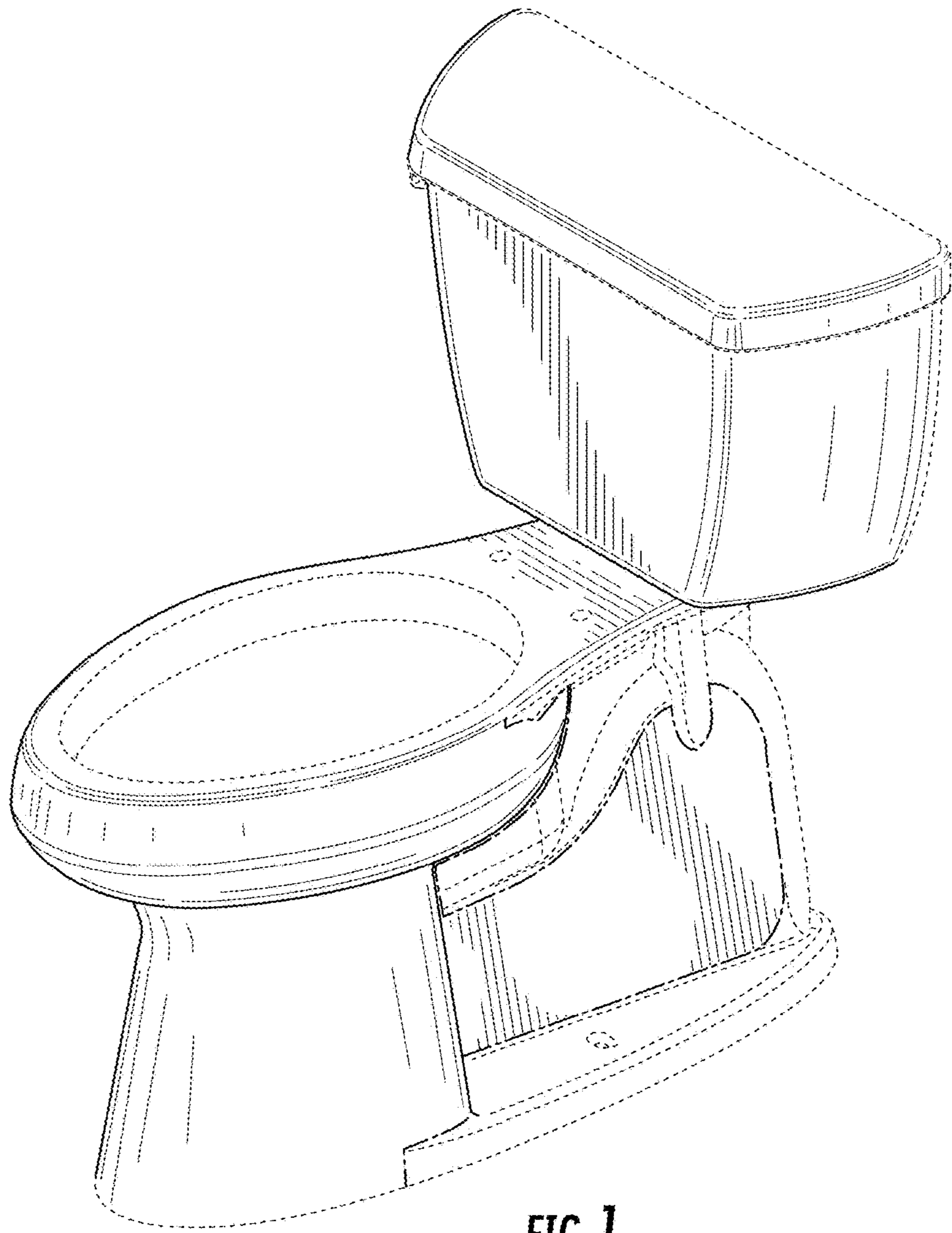


FIG. 1

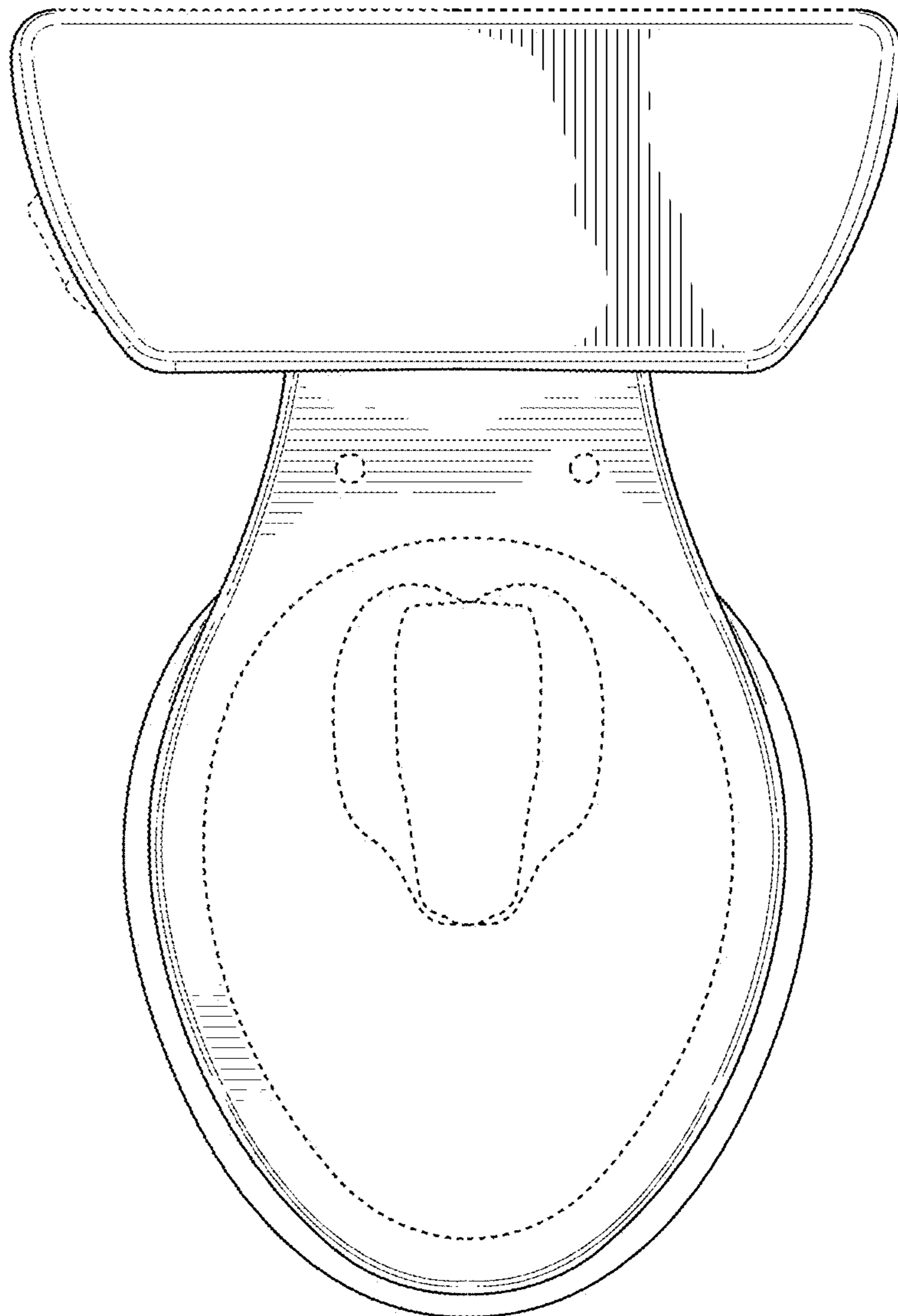


FIG. 2

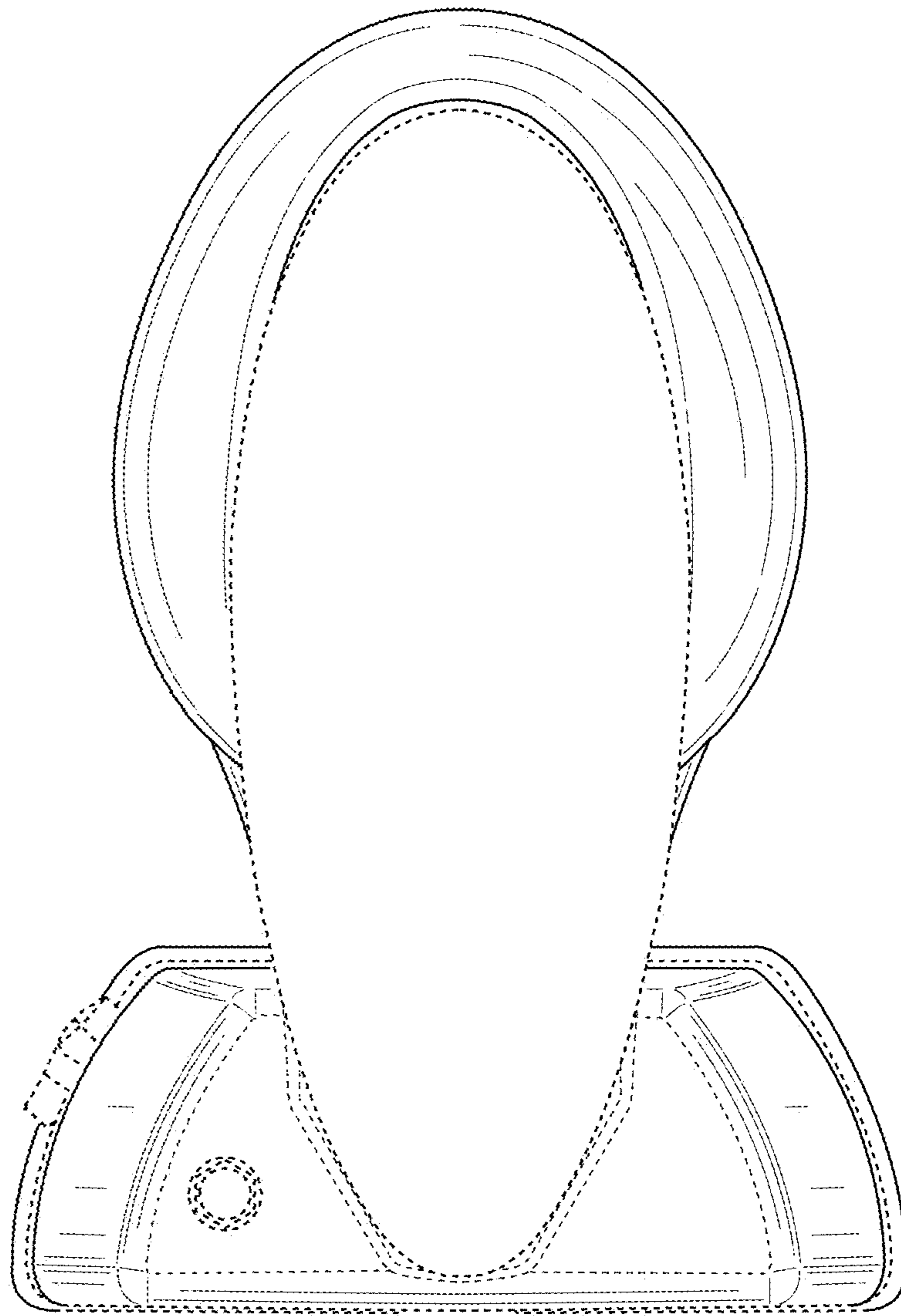


FIG. 3

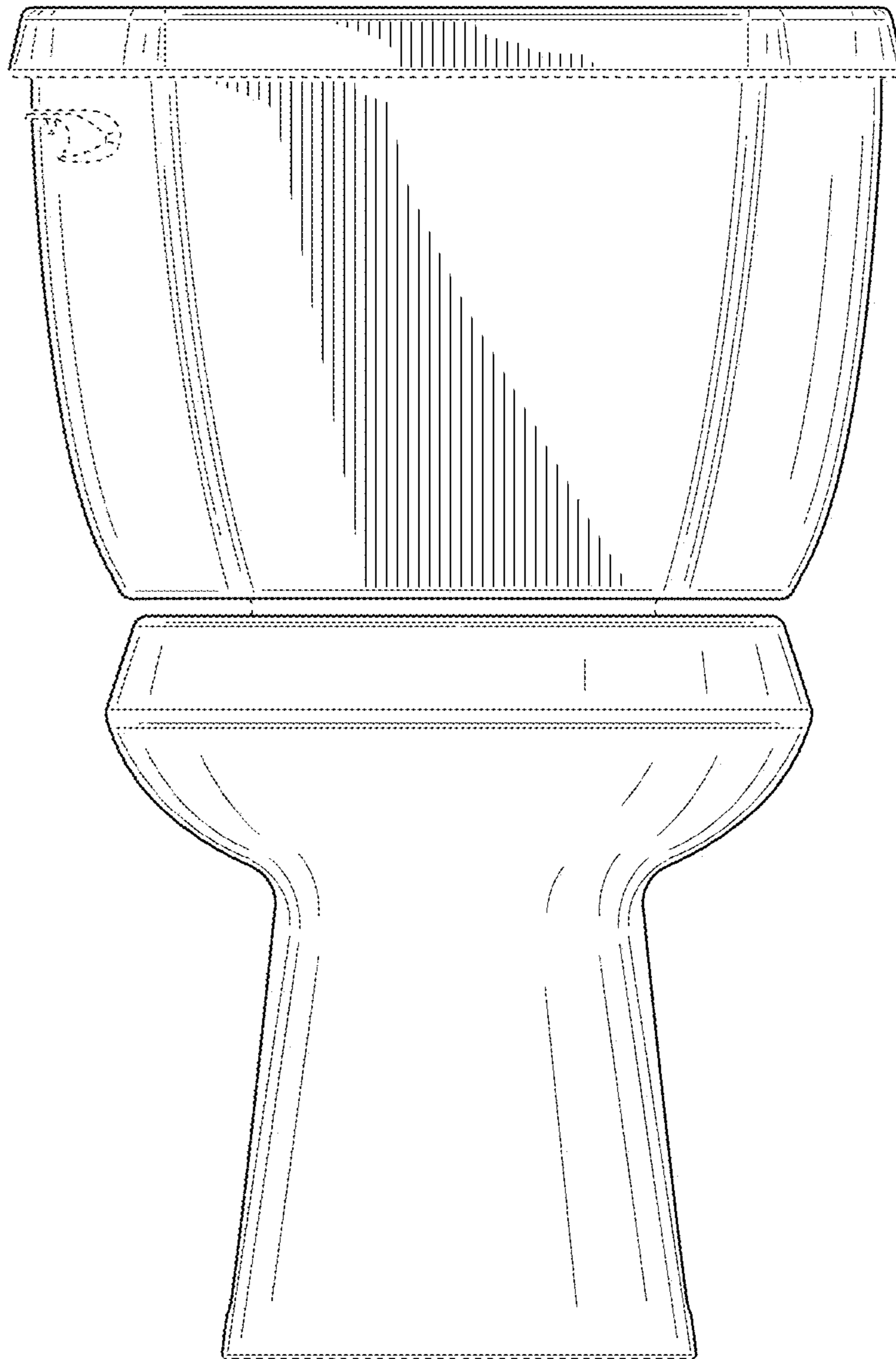


FIG. 4

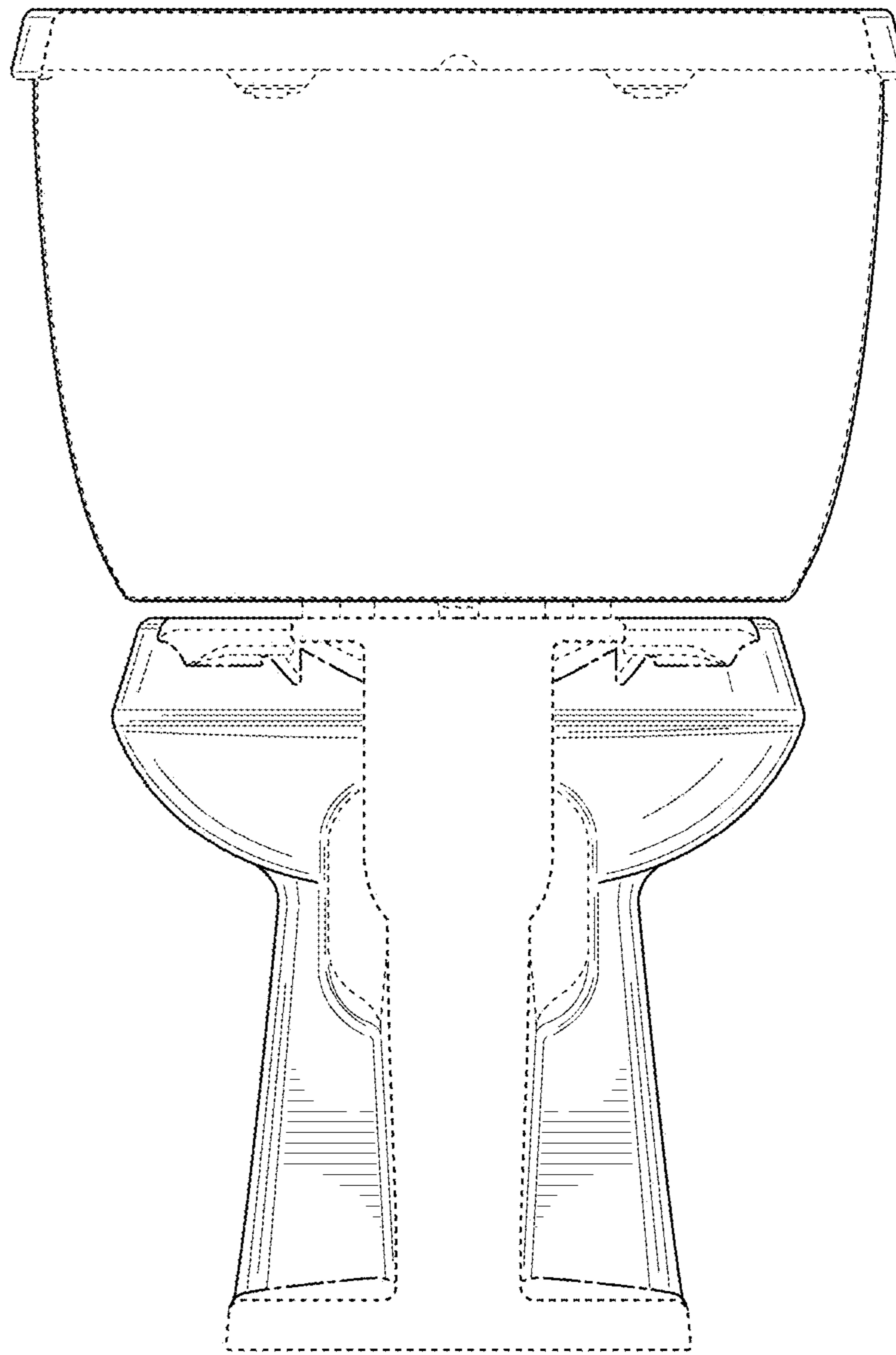


FIG. 5

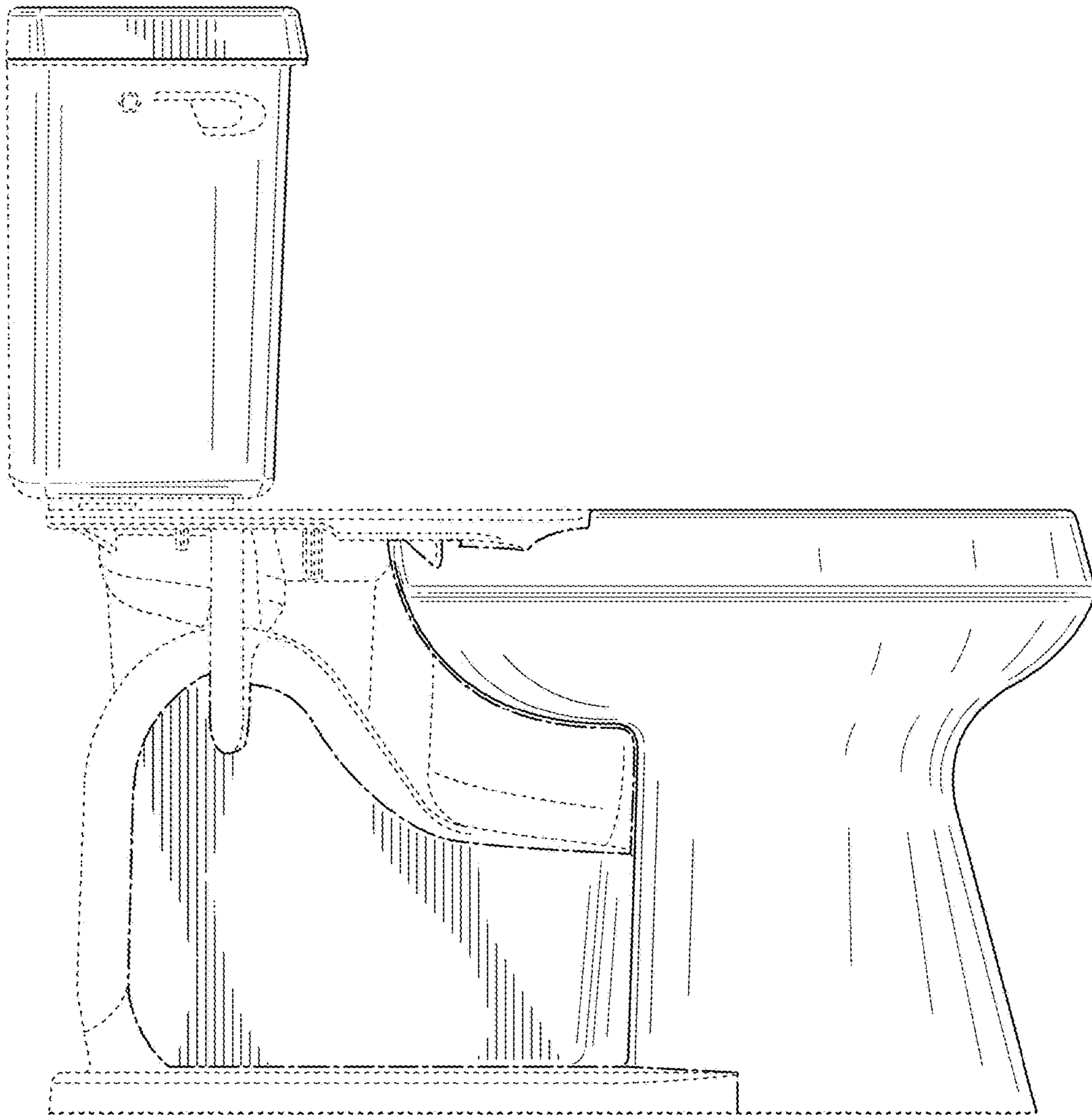


FIG. 6

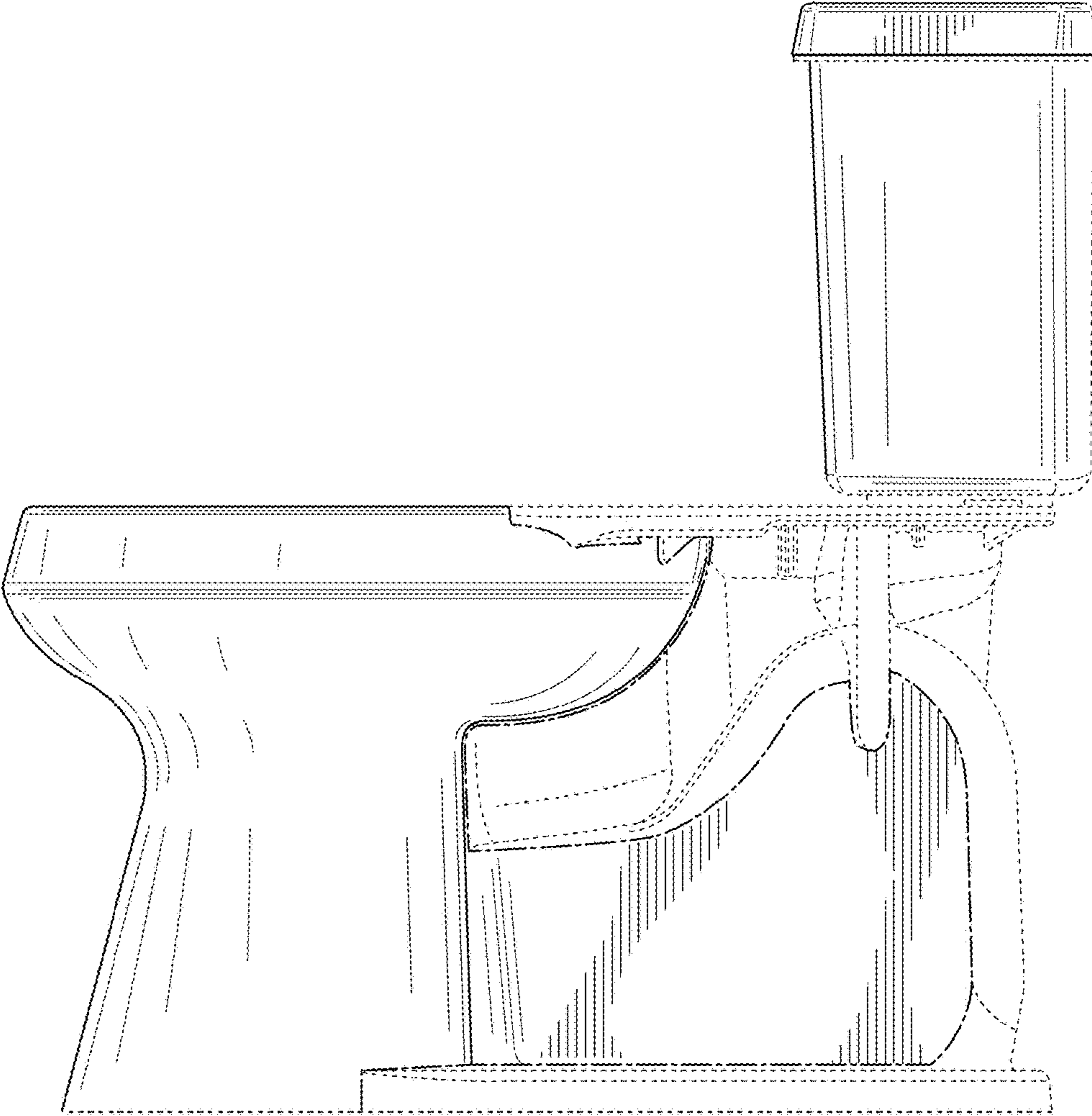


FIG. 7