



US00D815716S

(12) **United States Design Patent**
Timbs et al.

(10) **Patent No.:** **US D815,716 S**
(45) **Date of Patent:** **** Apr. 17, 2018**

- (54) **TOP PLATE AND WATER DIVERTER**
- (71) Applicant: **Advanced Distributor Products LLC**,
Richardson, TX (US)
- (72) Inventors: **James Frank Timbs**, Winona, MS
(US); **Michael Jon Denley**, Calhoun
City, MS (US); **Jason Louis**
Doubleday, Tillatoba, MS (US)
- (73) Assignee: **Advanced Distributor Products LLC**,
Richardson, TX (US)
- (**) Term: **15 Years**
- (21) Appl. No.: **29/584,568**
- (22) Filed: **Nov. 15, 2016**
- (51) **LOC (11) Cl.** **23-01**
- (52) **U.S. Cl.**
USPC **D23/257**
- (58) **Field of Classification Search**
USPC D23/257, 260-263, 267-268
CPC H05B 37/0245; H05B 37/0218; H05B
37/0227; H05B 33/0803; H05B 33/0854;
H05B 37/0272; H05B 33/0812; H05B
33/0815; H05B 33/0845; H05B 33/0872;
H05B 33/089; H05B 37/0236; H05B
37/0281; H05B 37/029
See application file for complete search history.

- 6,681,530 B1 * 1/2004 Givens E04D 13/1407
108/16
- D555,773 S * 11/2007 Wallace D23/267
- D693,442 S * 11/2013 Stevens D23/260
- 8,650,810 B1 * 2/2014 Dalton E04D 13/064
49/408
- 8,763,310 B2 * 7/2014 Dehart, Sr. E04D 13/0643
52/11
- D725,753 S * 3/2015 Joly, Jr. D23/267
- D756,213 S * 5/2016 Fisher D8/499
- D765,822 S * 9/2016 Stewart D23/267

(Continued)

Primary Examiner — Ian Simmons
Assistant Examiner — Khawaja Anwar
(74) *Attorney, Agent, or Firm* — Hubbard Johnston,
PLLC

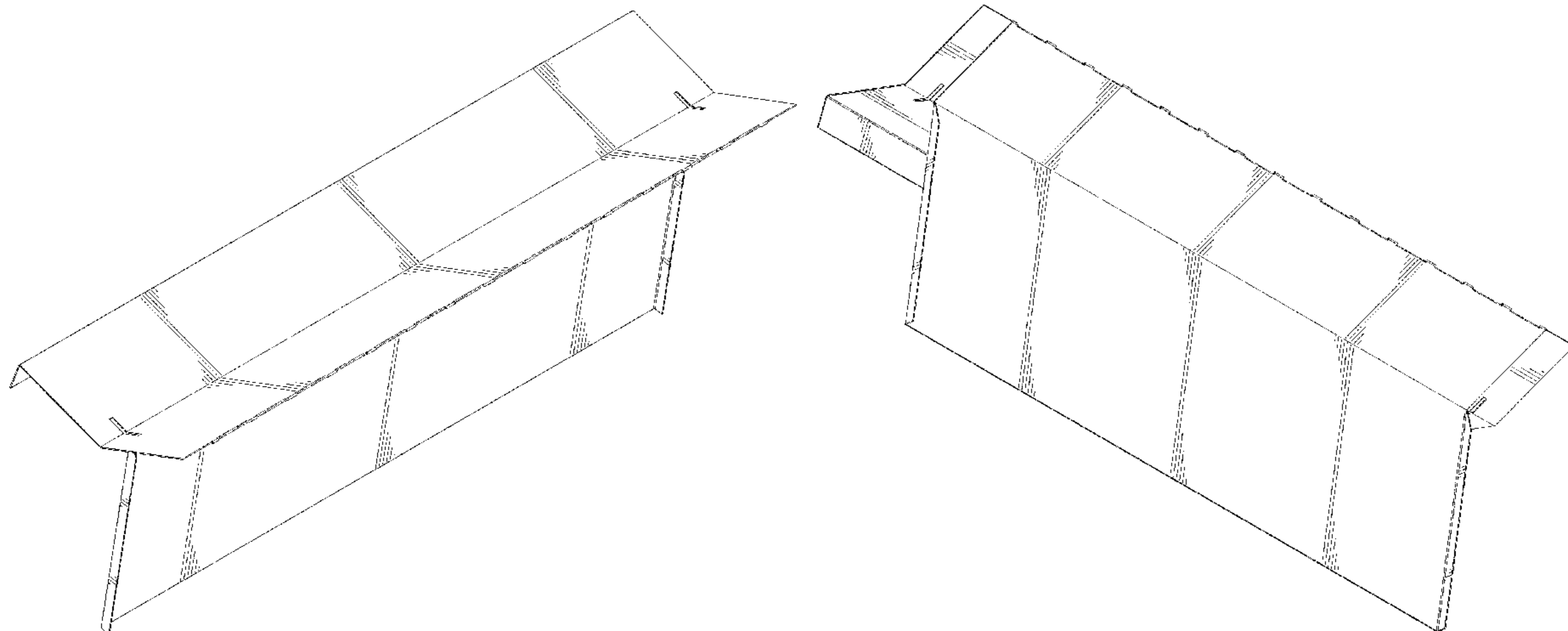
(57) **CLAIM**

The ornamental design for a top plate and water diverter, as shown and described.

DESCRIPTION

FIG. 1 is a front perspective view of a top plate and water diverter showing our new design;
FIG. 2 is a front elevation view thereof;
FIG. 3 is a rear elevation view thereof;
FIG. 4 is a right elevation view thereof;
FIG. 5 is a left elevation view thereof;
FIG. 6 is a top plan view thereof;
FIG. 7 is a bottom plan view thereof;
FIG. 8 is a bottom perspective view thereof;
FIG. 9 is a front full perspective view thereof;
FIG. 10 is a bottom full perspective view thereof; and,
FIG. 11 is a front perspective view shown with environment.
The broken lines seen in FIG. 11 represent unclaimed environment and form no parts of the claimed design. The broken lines seen in FIGS. 1, & 4-8 represent removal of central portions of the design for the purpose of ease of illustration, and form no parts of the claimed design.

1 Claim, 11 Drawing Sheets



(56)

References Cited

U.S. PATENT DOCUMENTS

2005/0115160 A1* 6/2005 Brochu E04D 13/0481
52/11
2007/0068092 A1* 3/2007 Fraser, Jr. E04D 13/0481
52/97

* cited by examiner

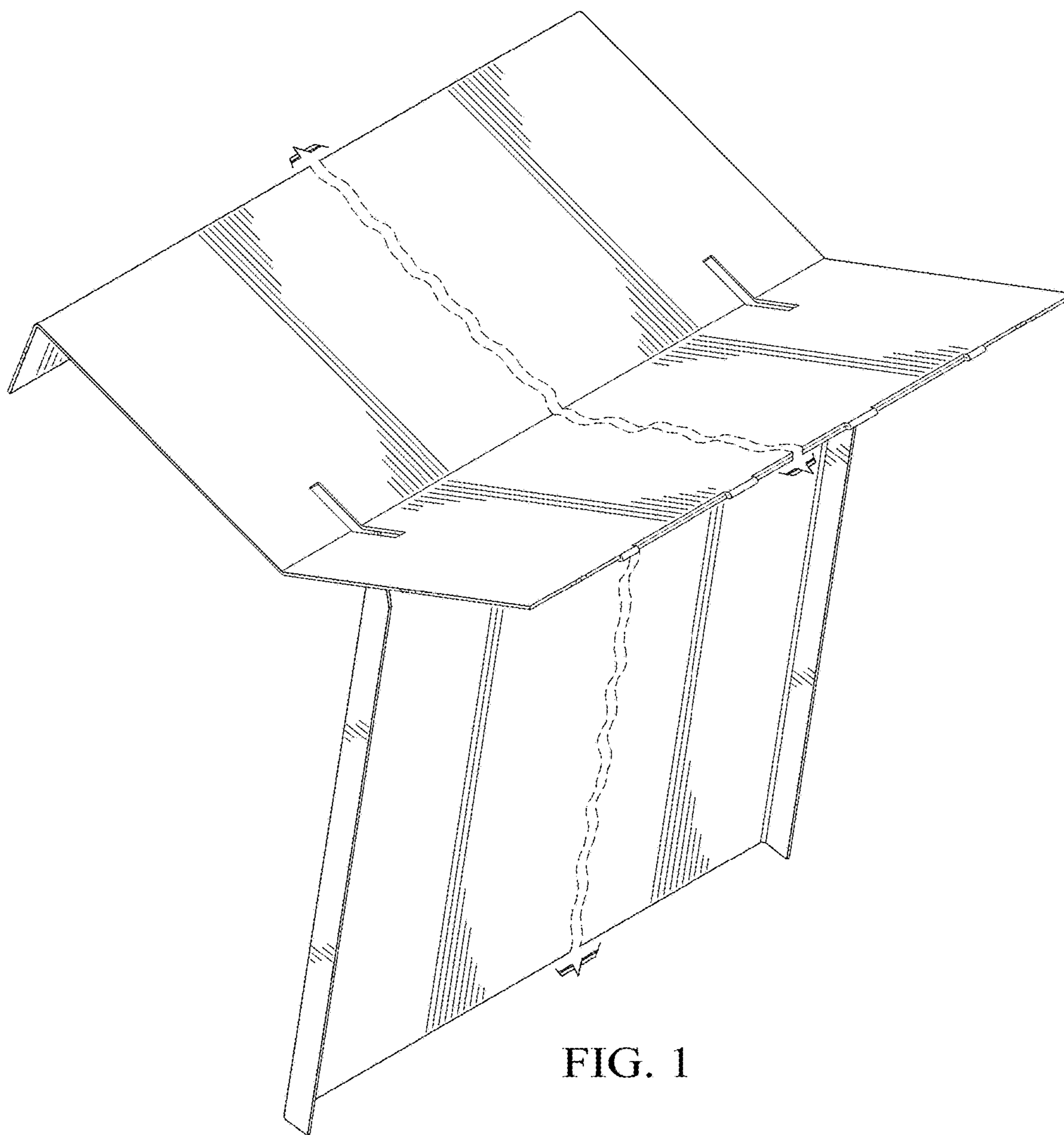


FIG. 1

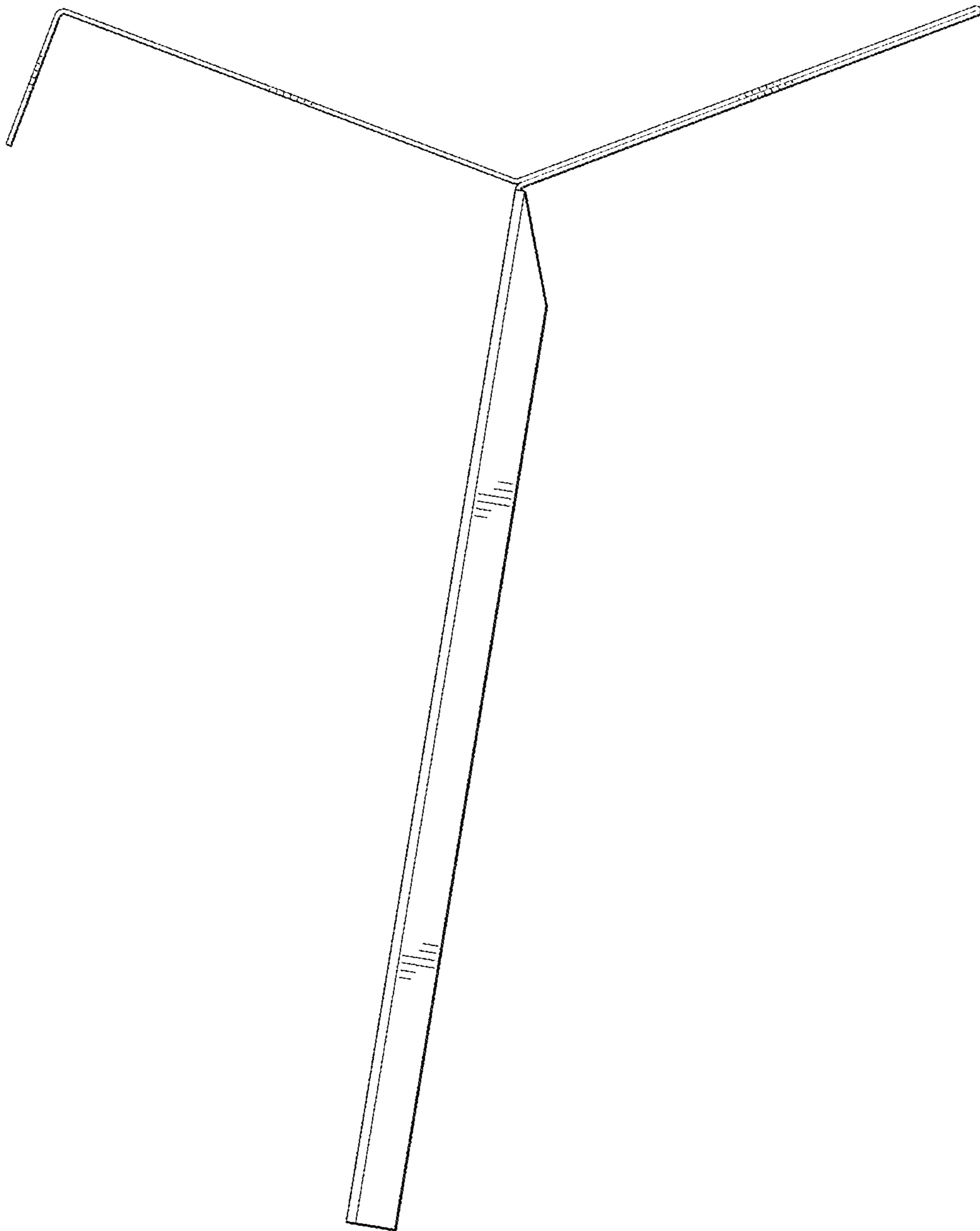


FIG. 2

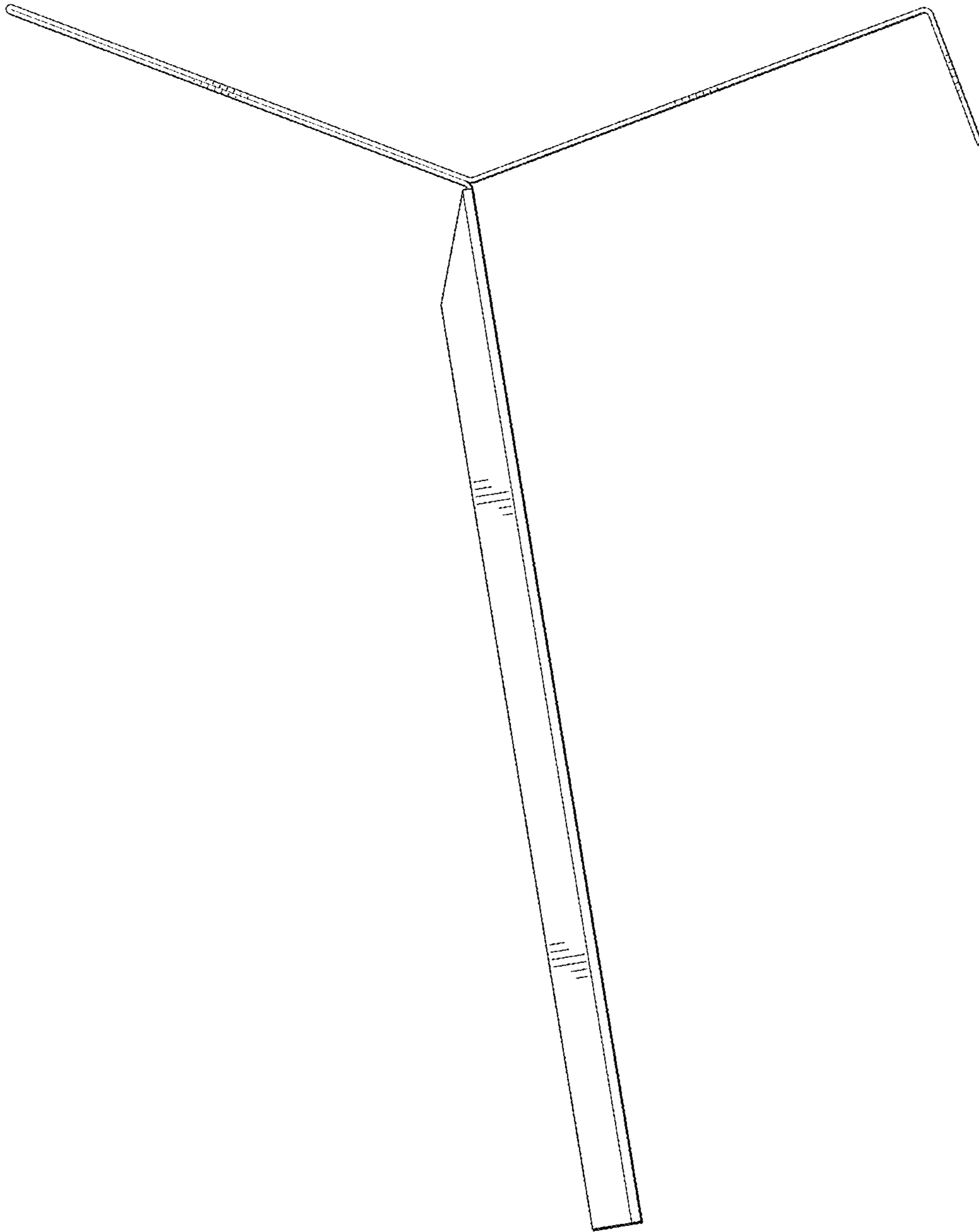


FIG. 3

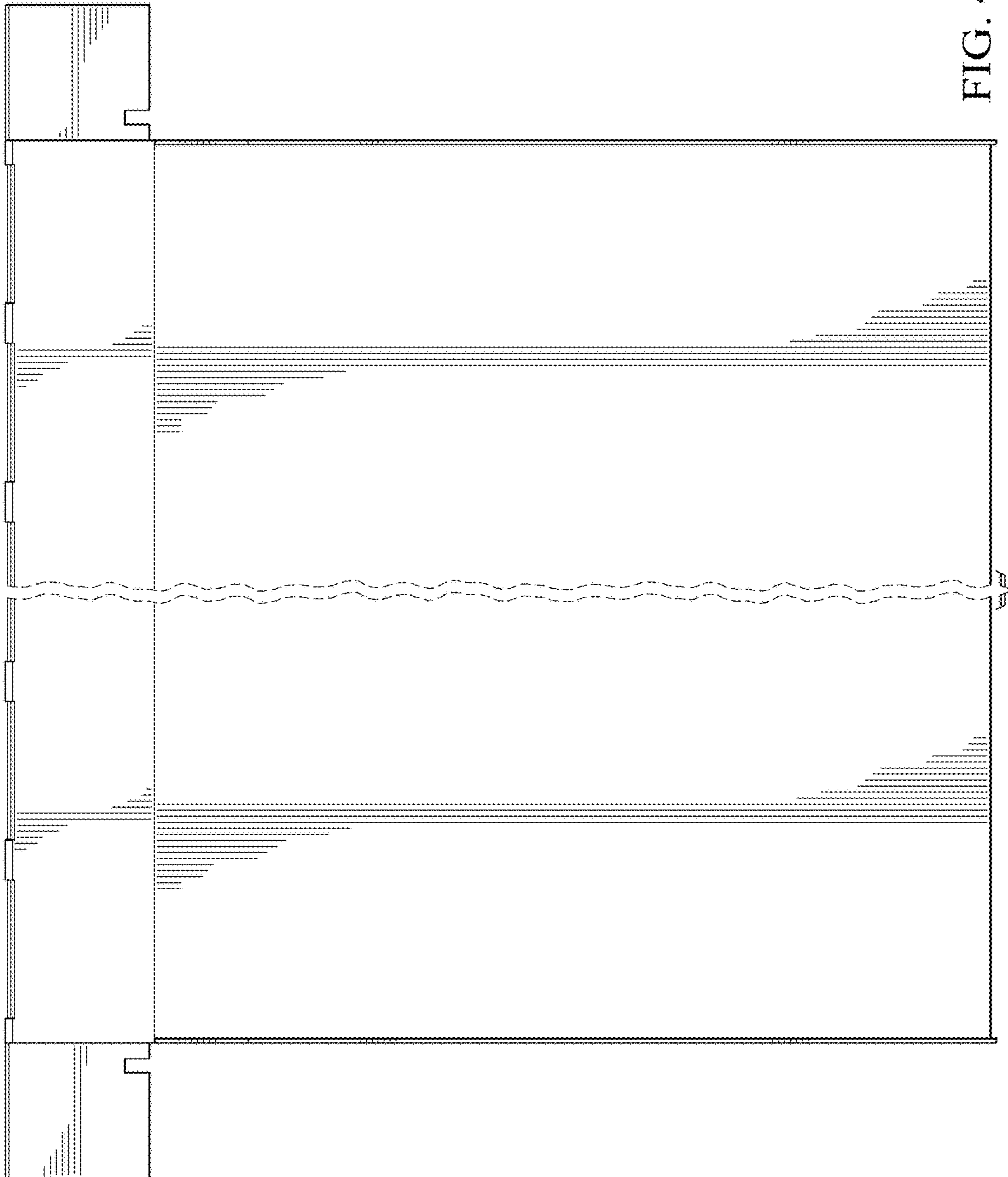


FIG. 4

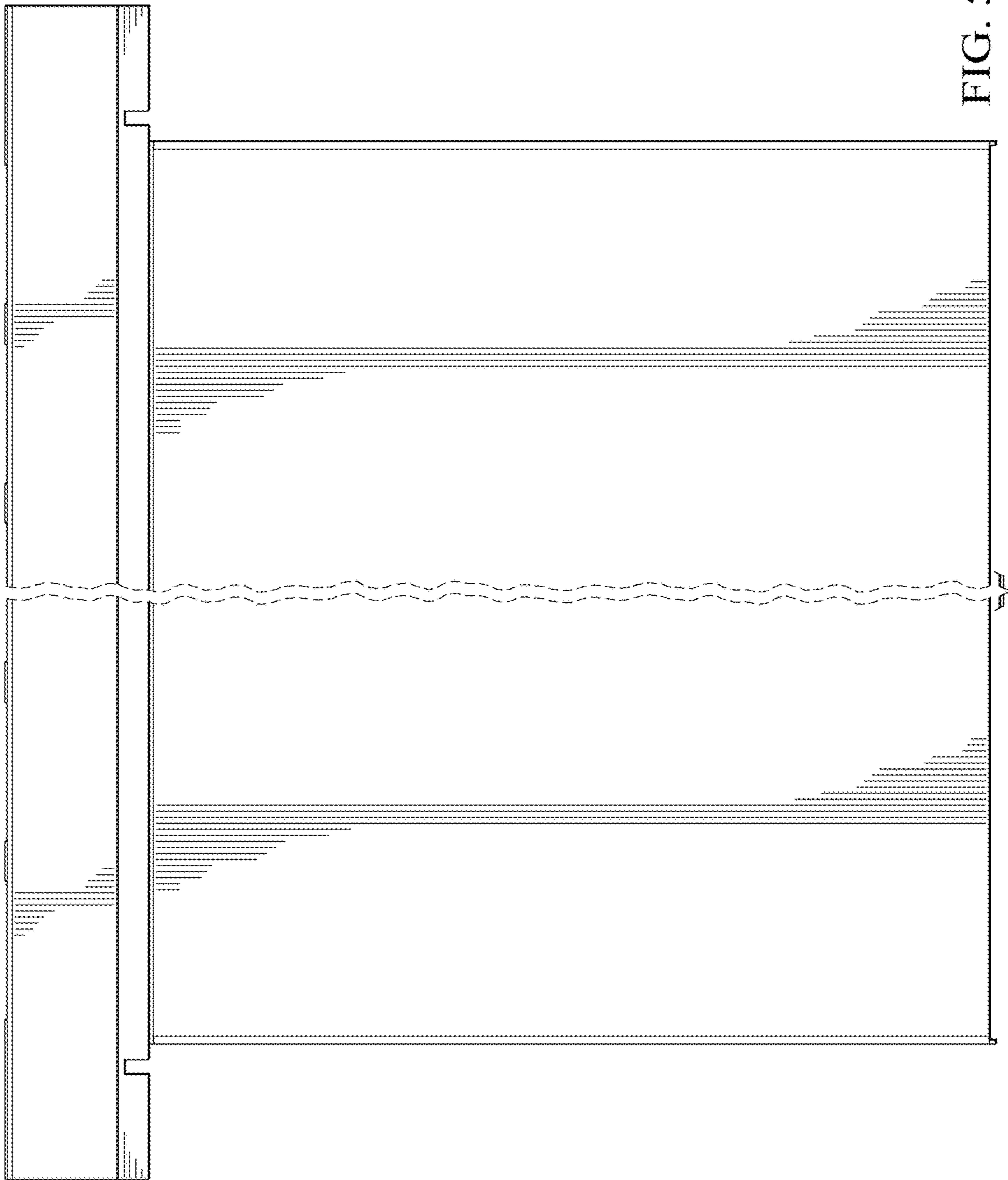


FIG. 5

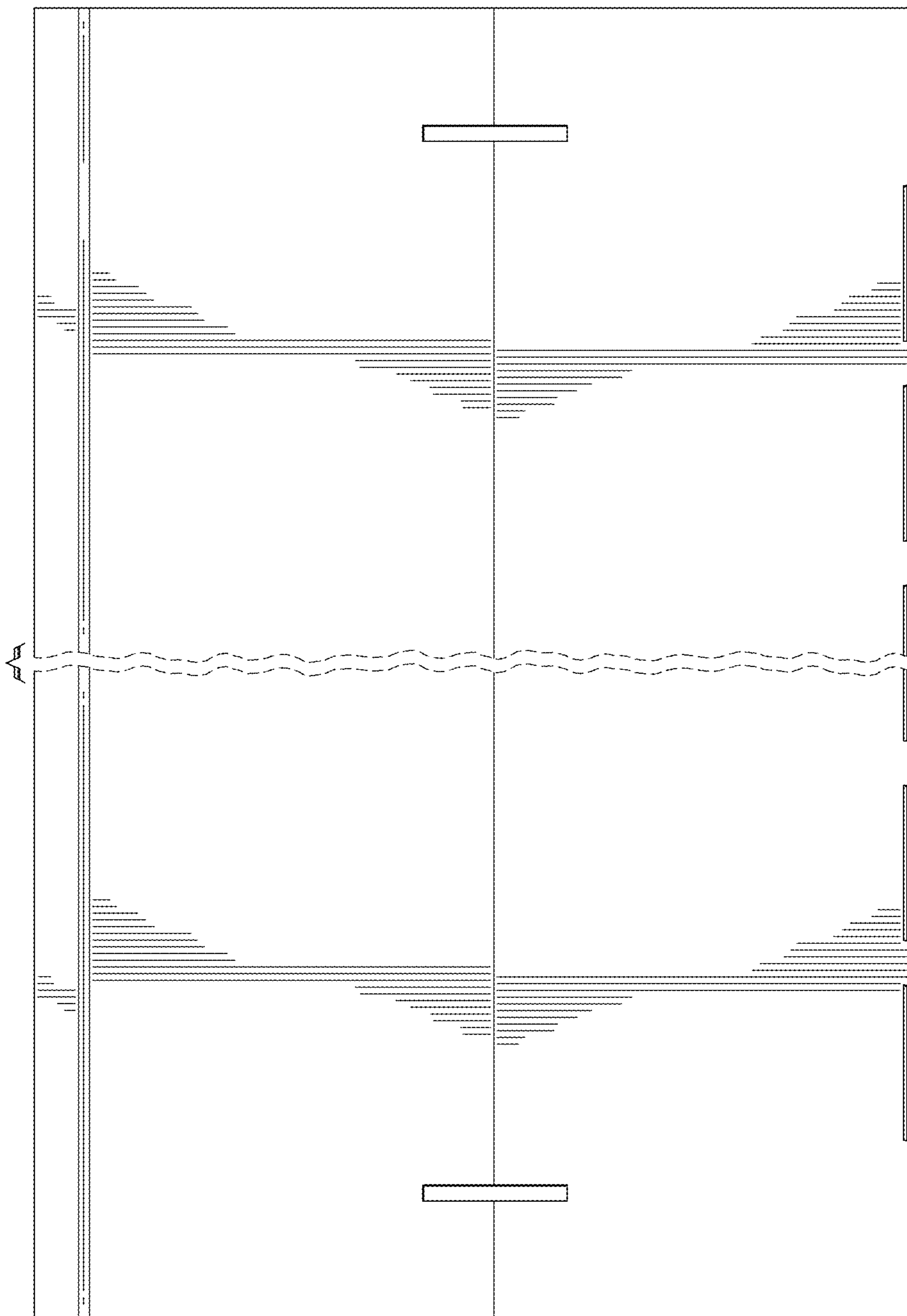


FIG. 6

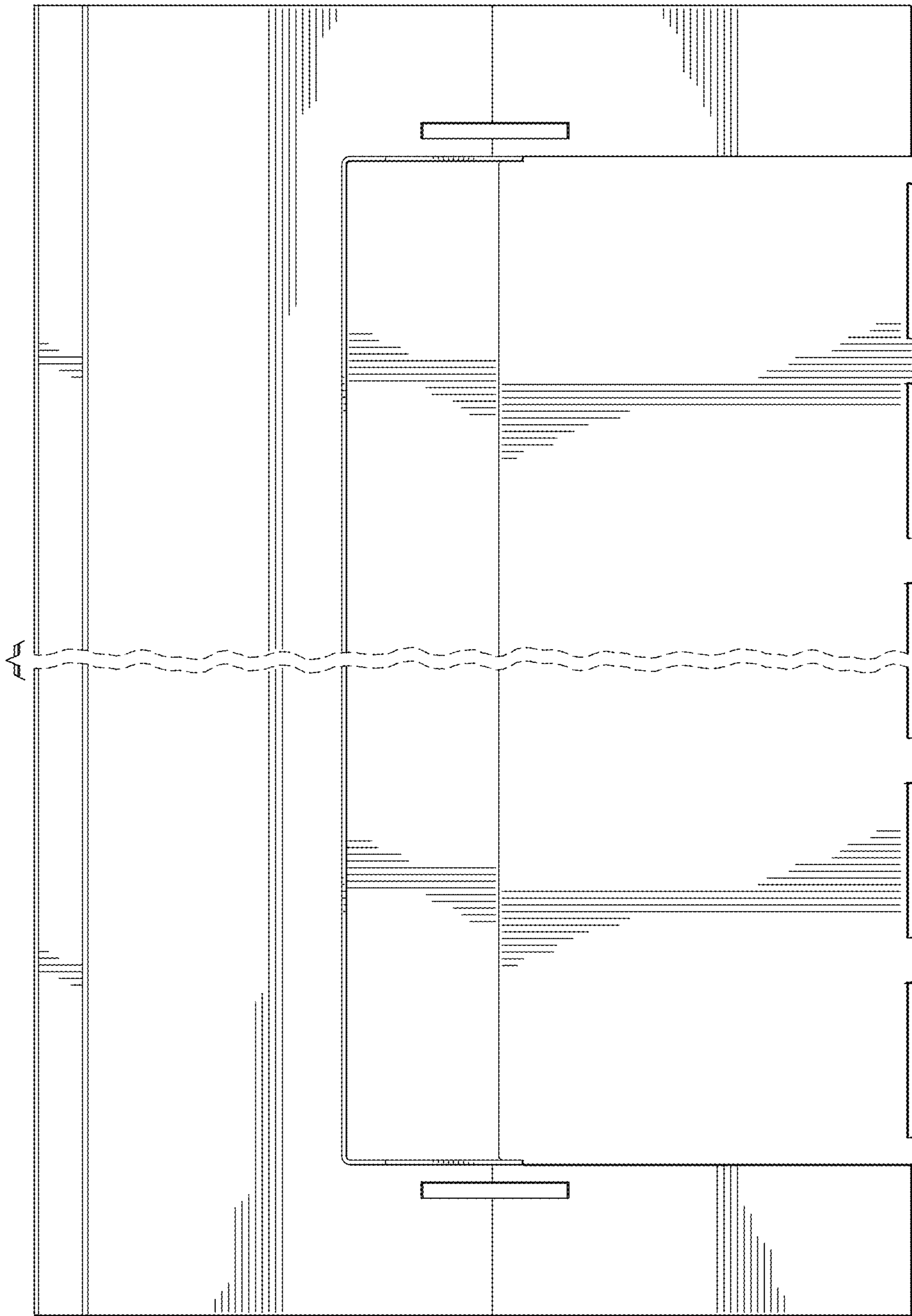


FIG. 7

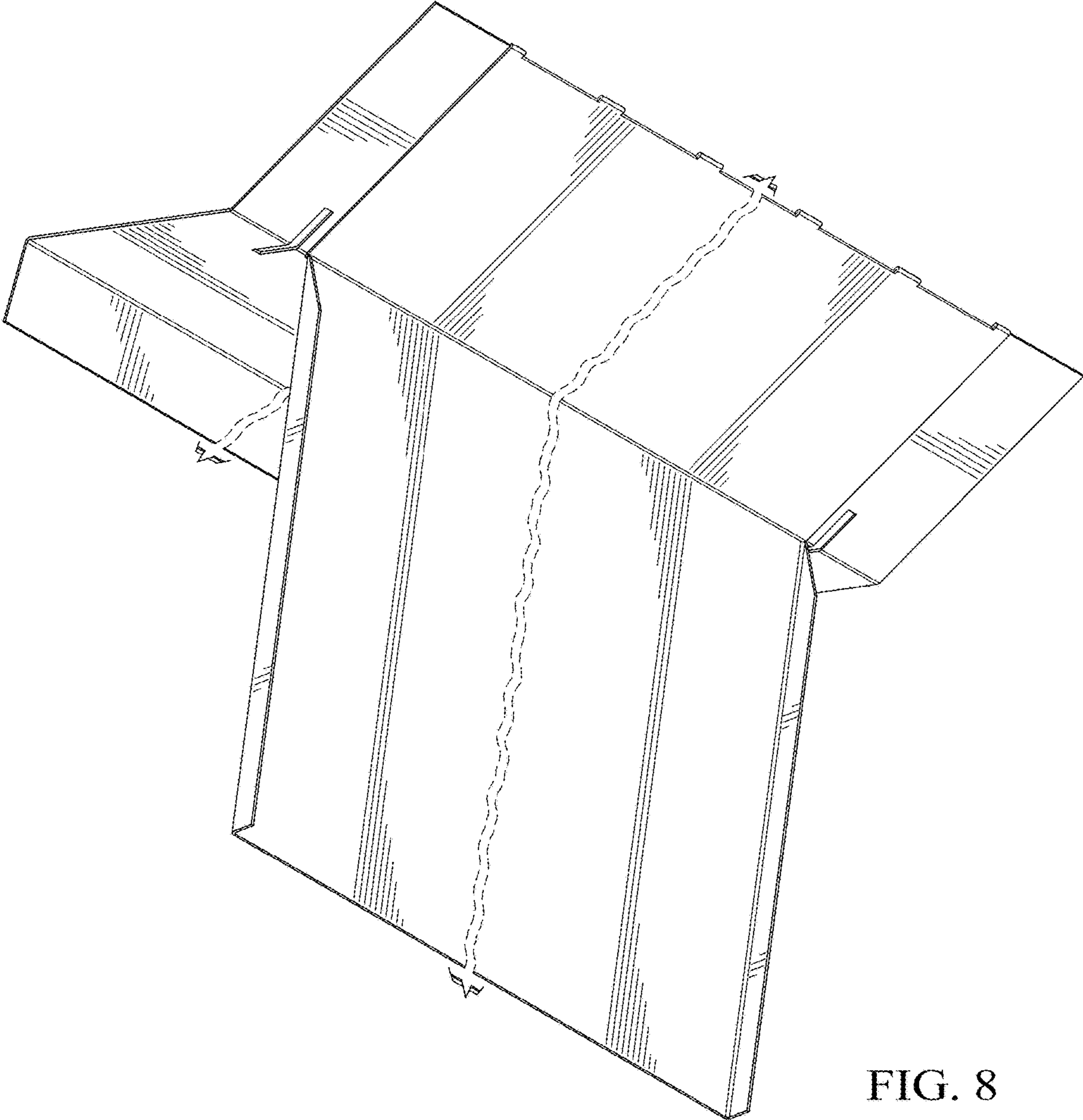


FIG. 8

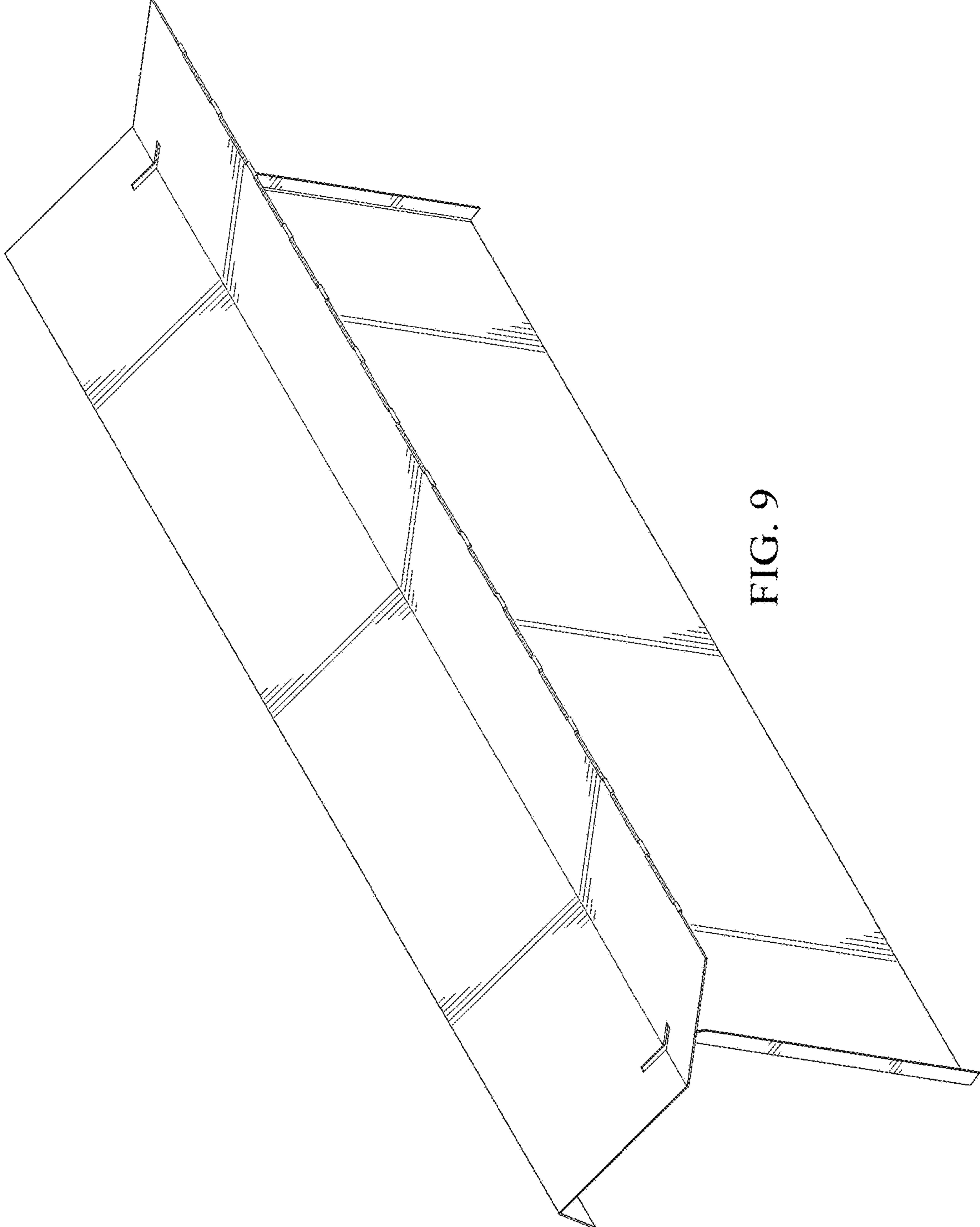


FIG. 9

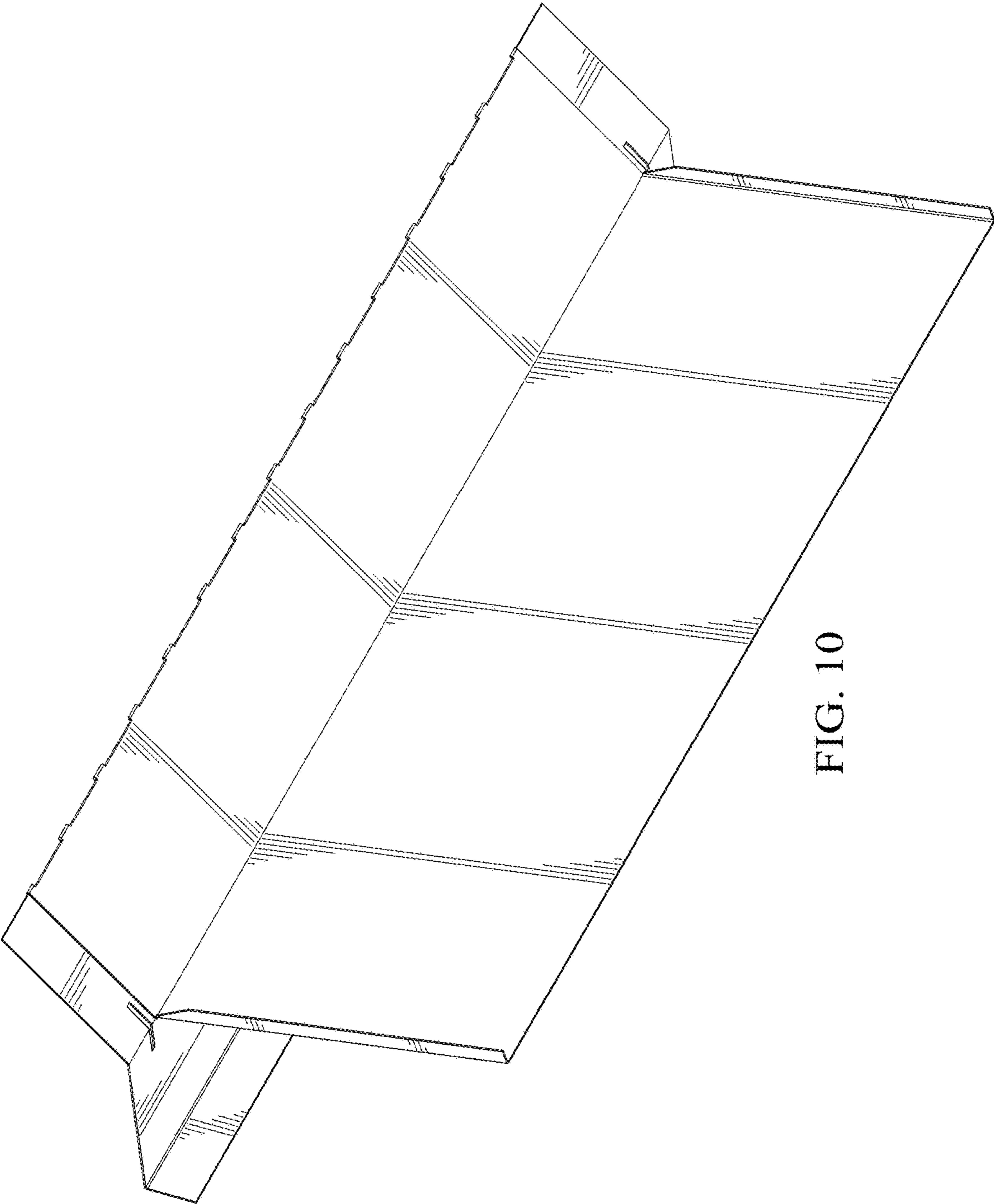


FIG. 10

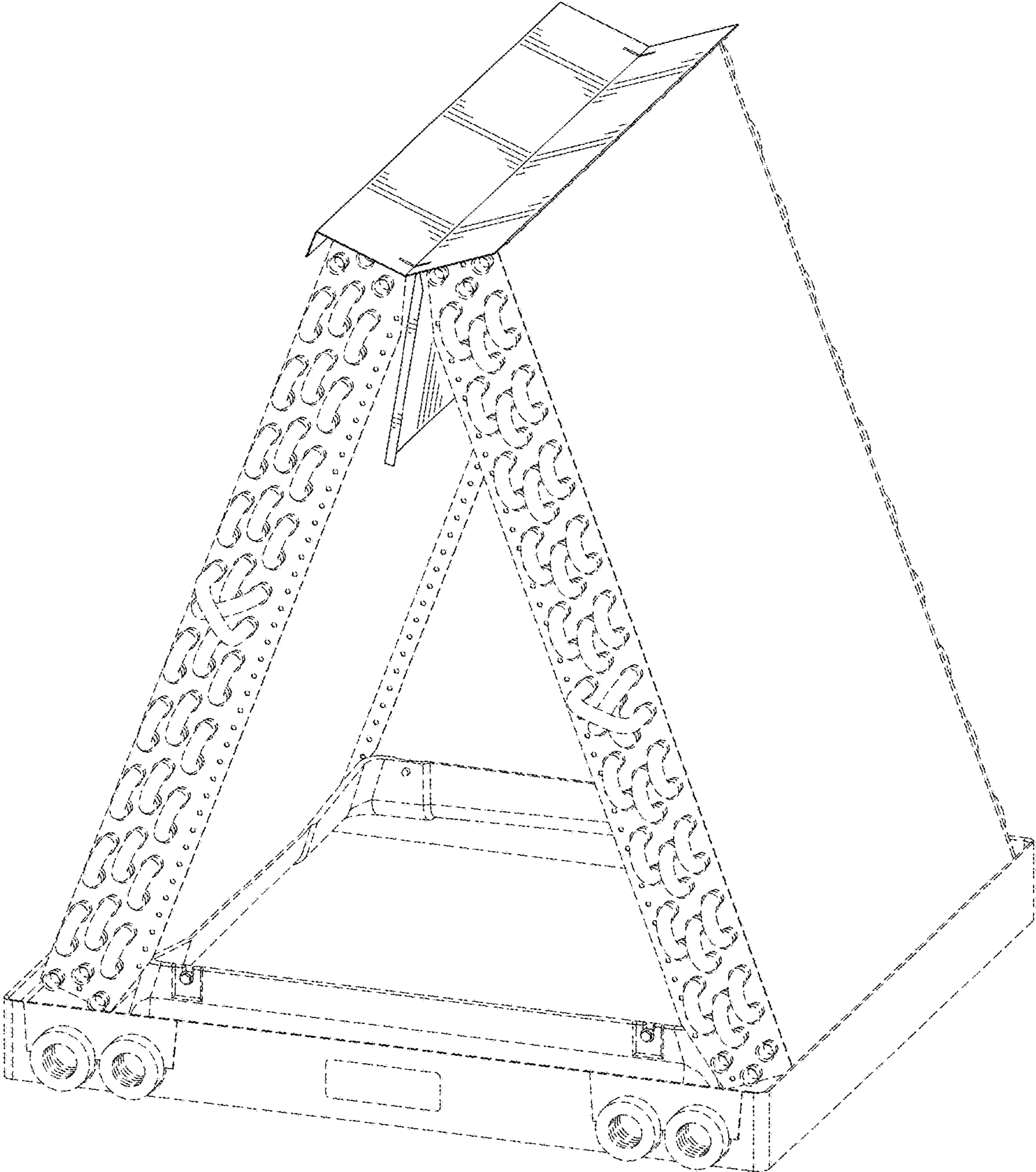


FIG. 11