



US00D815714S

(12) **United States Design Patent**
Bell et al.

(10) **Patent No.:** **US D815,714 S**
(45) **Date of Patent:** **** Apr. 17, 2018**

- (54) **SLOTTED FILTER CAGE**
- (71) Applicant: **Brita LP**, Oakland, CA (US)
- (72) Inventors: **Russell E. Bell**, Pleasanton, CA (US);
Nikhil P. Dani, Pleasanton, CA (US);
Elizabeth A. Buzzard, Pleasanton, CA (US);
Matthias Palm, Pleasanton, CA (US);
Scott Melin, Pleasanton, CA (US);
Dan Harden, San Jose, CA (US);
Elliot L. Ortiz, San Francisco, CA (US);
Piercy Yau, Causeway Bay (HK);
Brett Z. Green, Pleasanton, CA (US)
- (73) Assignee: **Brita LP**, Oakland, CA (US)
- (**) Term: **15 Years**
- (21) Appl. No.: **29/576,967**
- (22) Filed: **Sep. 8, 2016**
- (51) **LOC (11) Cl.** **23-01**
- (52) **U.S. Cl.**
USPC **D23/209**
- (58) **Field of Classification Search**
USPC D8/400; D23/209, 210, 365; 210/232,
210/240, 308, 497.01; 606/148
CPC B01D 27/08; B01D 35/30; B01D 35/308;
B01D 35/34; B01D 29/111; B01D 29/17;
B01D 29/112; B01D 29/25
See application file for complete search history.

(56) **References Cited**

U.S. PATENT DOCUMENTS

D308,410 S * 6/1990 Russell D23/209
D320,062 S * 9/1991 Meissner D23/209
5,130,023 A * 7/1992 Feint B01D 29/21
210/493.2

5,154,827 A * 10/1992 Ashelin B01D 63/061
210/484
H1157 H * 3/1993 Yanou D23/209
D349,567 S * 8/1994 Miller D23/365
D374,476 S * 10/1996 Page D23/209
D403,741 S * 1/1999 Rao D23/209
D404,113 S * 1/1999 Denkwicz, Jr. D23/209
D406,315 S * 3/1999 Rao D23/209
D409,372 S * 5/1999 Wang D19/75
5,902,482 A * 5/1999 Seeley B01D 29/21
210/193
D468,797 S * 1/2003 Norton D23/209
D476,058 S * 6/2003 Norton D23/209

(Continued)

FOREIGN PATENT DOCUMENTS

CA 2933028 A1 * 6/2015 B01D 35/30
WO WO-2017055915 A1 * 4/2017 C02F 1/003

(Continued)

Primary Examiner — Lakiya G Rogers
Assistant Examiner — Altaira J Swangin
(74) *Attorney, Agent, or Firm* — Thomas C. Feix

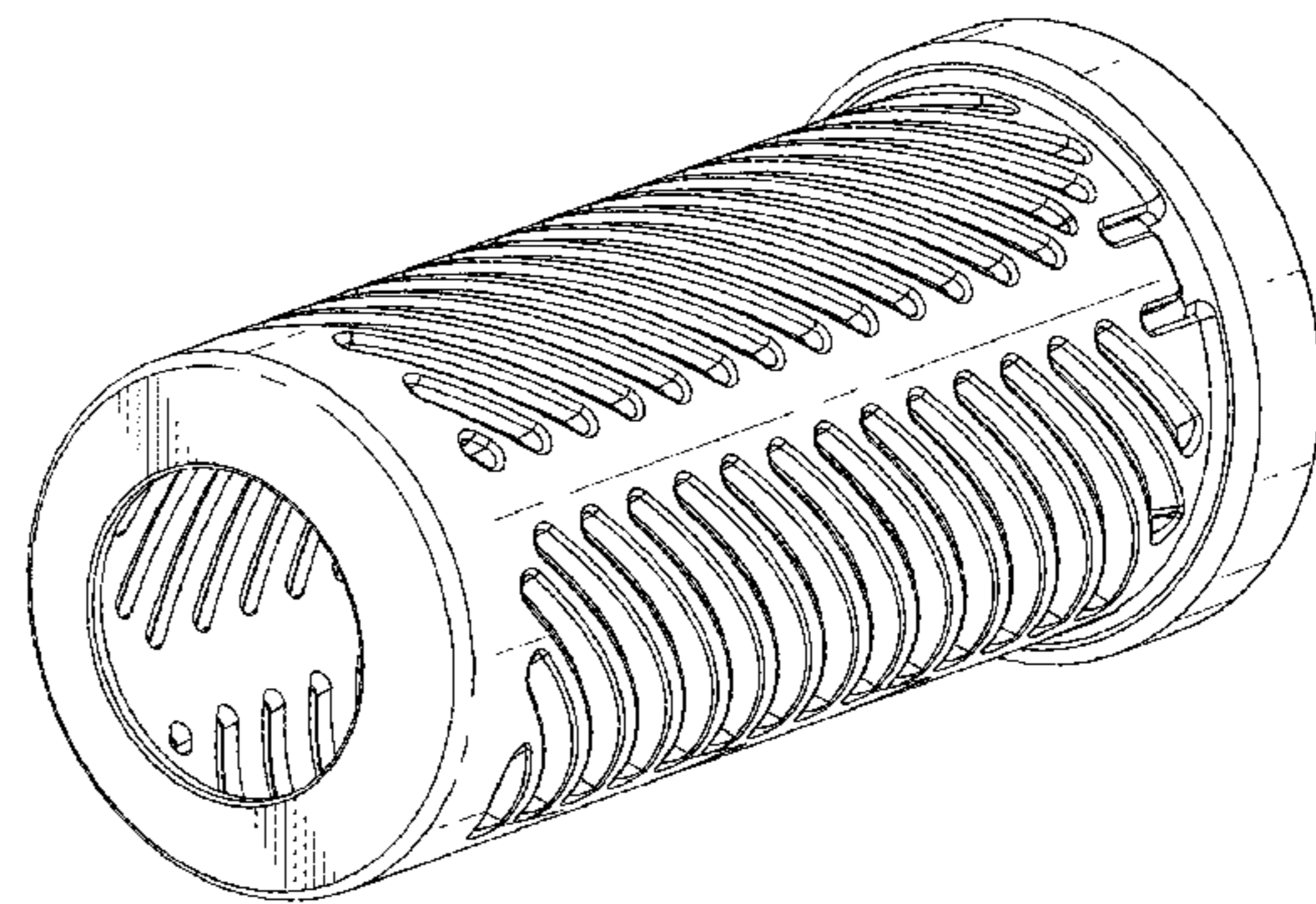
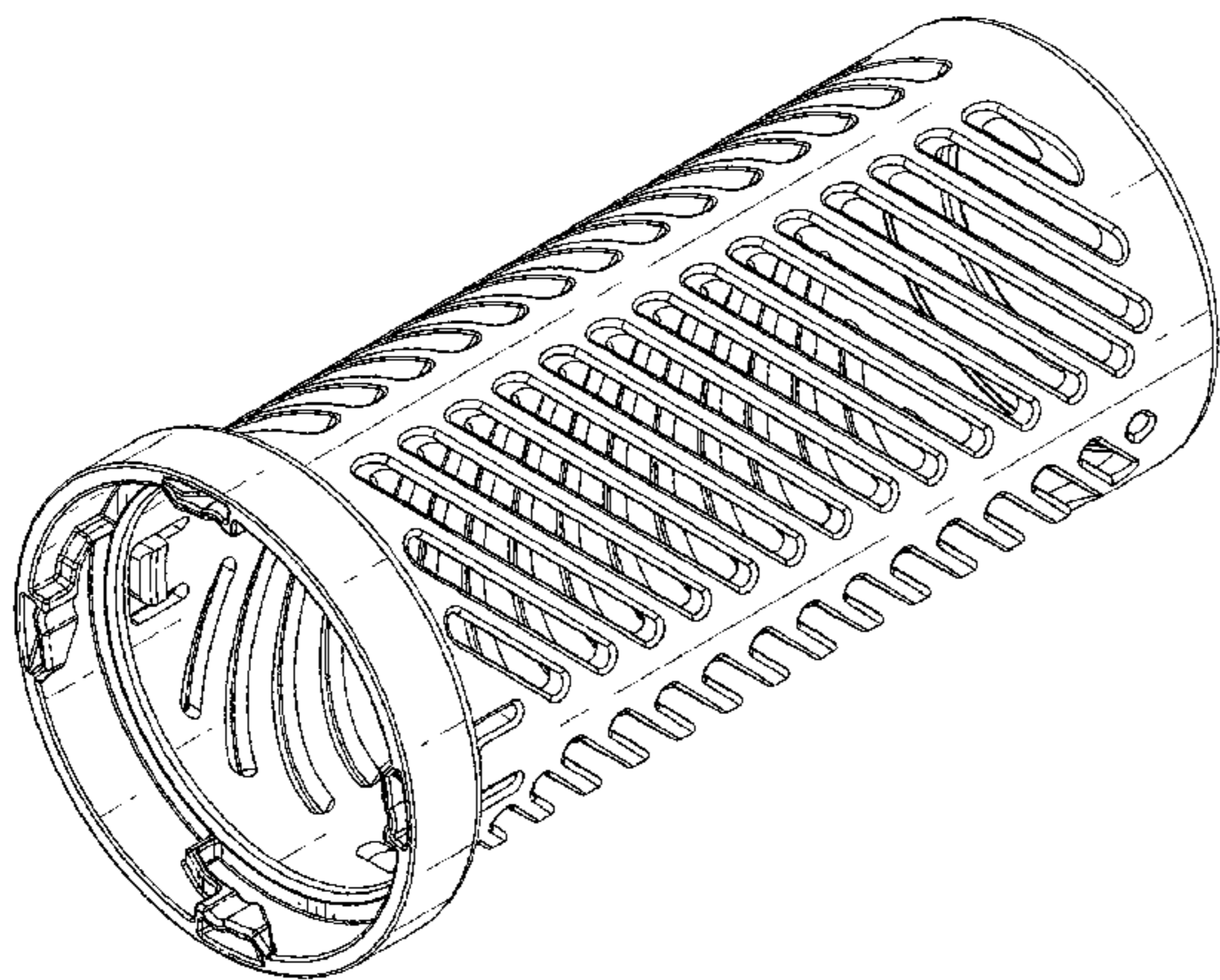
(57) **CLAIM**

The ornamental design for a slotted filter cage, as shown and described.

DESCRIPTION

FIG. 1 is a front perspective view of a slotted filter cage;
FIG. 2 is a rear perspective view of the slotted filter cage of FIG. 1;
FIG. 3 is a front view of the slotted filter cage of FIG. 1;
FIG. 4 is a rear view of the slotted filter cage of FIG. 1;
FIG. 5 is a right side view of the slotted filter cage of FIG. 1;
FIG. 6 is a left side view of the slotted filter cage of FIG. 1;
FIG. 7 is a top view of the slotted filter cage of FIG. 1; and,
FIG. 8 is a bottom view of the slotted filter cage of FIG. 1.

1 Claim, 4 Drawing Sheets



(56)

References Cited

U.S. PATENT DOCUMENTS

D524,611 S * 7/2006 Liu D23/209
 D526,383 S * 8/2006 Byerly D15/144.1
 D544,070 S * 6/2007 Flor D23/209
 D550,805 S * 9/2007 Hazlehurst D23/209
 D560,751 S * 1/2008 Miller D23/209
 D571,433 S * 6/2008 Koteskey D23/209
 D582,001 S * 12/2008 Tierney D22/102
 D596,703 S * 7/2009 McKinney D23/209
 D631,285 S * 1/2011 Smiedt D7/392.1
 D631,286 S * 1/2011 Smiedt D7/392.1
 D633,325 S * 3/2011 McArdle D7/317
 D642,657 S * 8/2011 Cumberland D23/209
 D642,658 S * 8/2011 Cumberland D23/209
 D643,090 S * 8/2011 Cumberland D23/209
 D646,350 S * 10/2011 Salvador D23/209
 D646,750 S * 10/2011 Salvador D23/209
 D646,751 S * 10/2011 Salvador D23/209
 D648,822 S * 11/2011 Salvador D23/209
 D650,886 S * 12/2011 Bridges D23/207
 D655,376 S * 3/2012 Salvador D23/209
 D655,781 S * 3/2012 Salvador D23/209
 D698,490 S * 1/2014 Xu D28/37
 D698,995 S * 2/2014 Xu D28/37
 D713,685 S * 9/2014 Eyal D7/507
 D717,912 S * 11/2014 Huda D23/209
 D720,174 S * 12/2014 Melzer D7/317
 D737,518 S * 8/2015 Yiu D28/54
 D737,519 S * 8/2015 Yiu D28/54
 D741,648 S * 10/2015 Wahl D23/366
 D745,308 S * 12/2015 Roth D23/209
 D747,140 S * 1/2016 Roth D23/209
 D747,141 S * 1/2016 Wahl D23/366
 D750,736 S * 3/2016 Enomoto D23/207
 D773,014 S * 11/2016 Pale D23/209
 9,532,642 B2 * 1/2017 Zech A46B 3/005
 D787,752 S * 5/2017 Delman D30/121
 9,764,263 B2 * 9/2017 McElroy B01D 35/147

2008/0004626 A1 * 1/2008 Glazer A61B 17/686
 606/148
 2011/0042293 A1 * 2/2011 Maier B01D 35/153
 210/232
 2011/0278216 A1 * 11/2011 Hull A47G 19/2266
 210/236
 2013/0270168 A1 * 10/2013 Fall C02F 1/001
 210/232
 2014/0021145 A1 * 1/2014 Propst B01D 39/16
 210/767
 2014/0027365 A1 * 1/2014 Lee A45F 3/16
 210/232
 2014/0069871 A1 * 3/2014 Brown B01D 29/111
 210/663
 2015/0096933 A1 * 4/2015 McClary B01D 39/083
 210/485
 2015/0209705 A1 * 7/2015 Morris B01D 35/005
 210/232
 2015/0238886 A1 * 8/2015 Pascale Neto B01D 29/11
 210/232
 2015/0352468 A1 * 12/2015 Lin B01D 25/26
 210/335
 2016/0376161 A1 * 12/2016 Dani C02F 1/003
 210/660
 2016/0376162 A1 * 12/2016 Dani C02F 1/002
 210/266
 2016/0376163 A1 * 12/2016 Dani C02F 1/003
 210/419
 2016/0376164 A1 * 12/2016 Dani C02F 1/003
 210/444
 2016/0376165 A1 * 12/2016 Dani C02F 1/003
 210/444
 2017/0326482 A1 * 11/2017 Prchal B01D 35/153

FOREIGN PATENT DOCUMENTS

WO WO-2017055916 A1 * 4/2017 B01D 29/216
 WO WO-2017055918 A1 * 4/2017 B01D 29/111

* cited by examiner

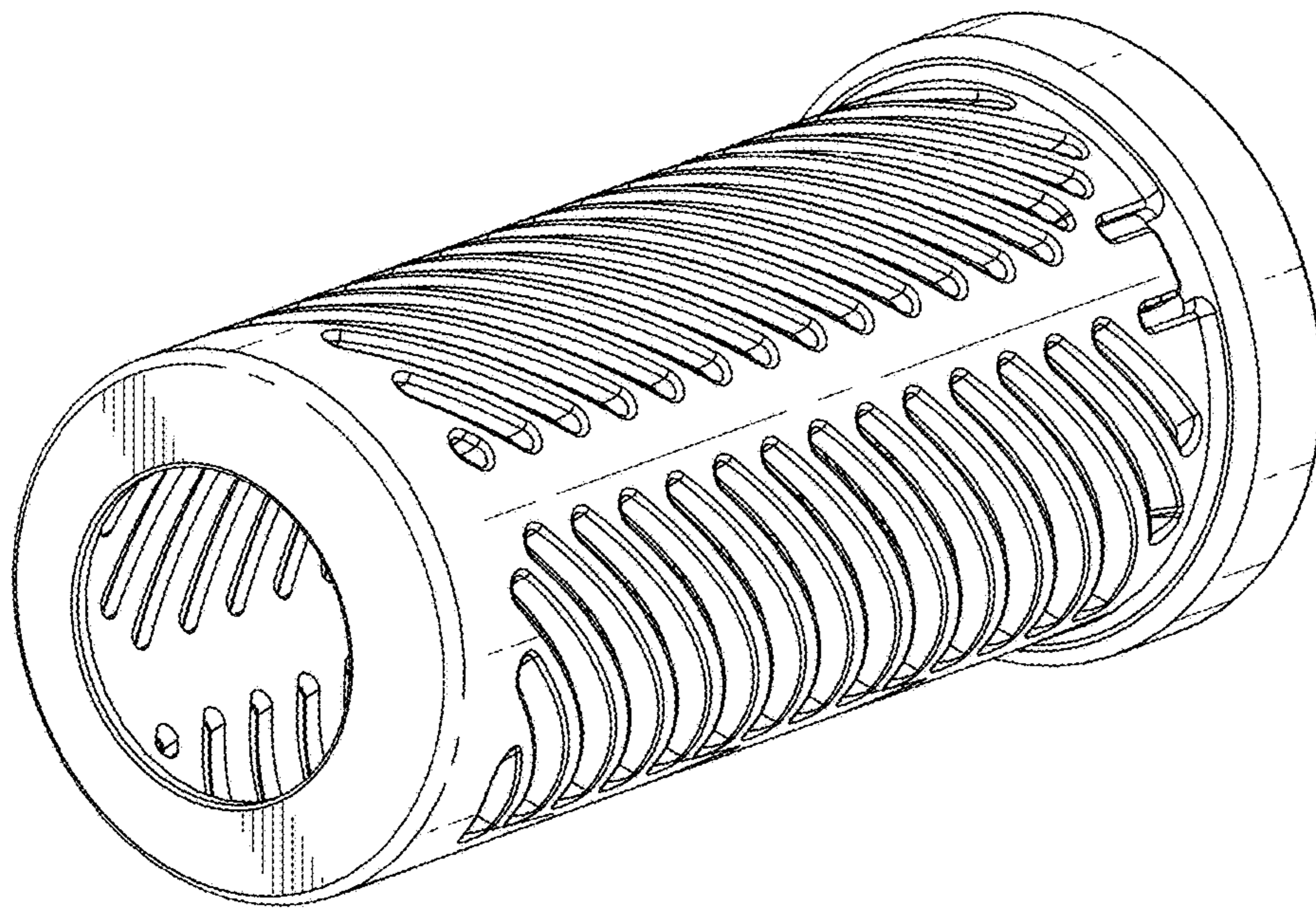
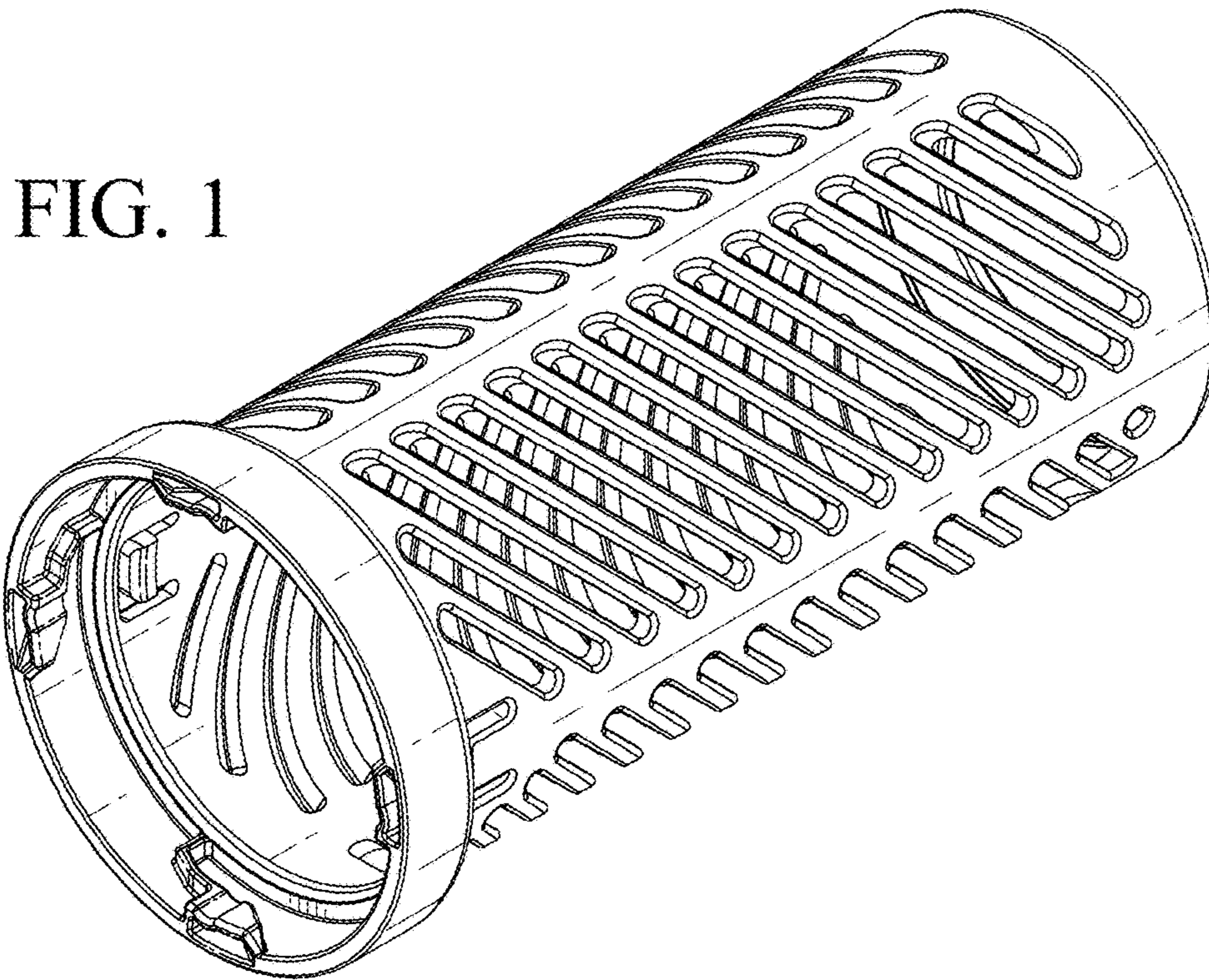


FIG. 2

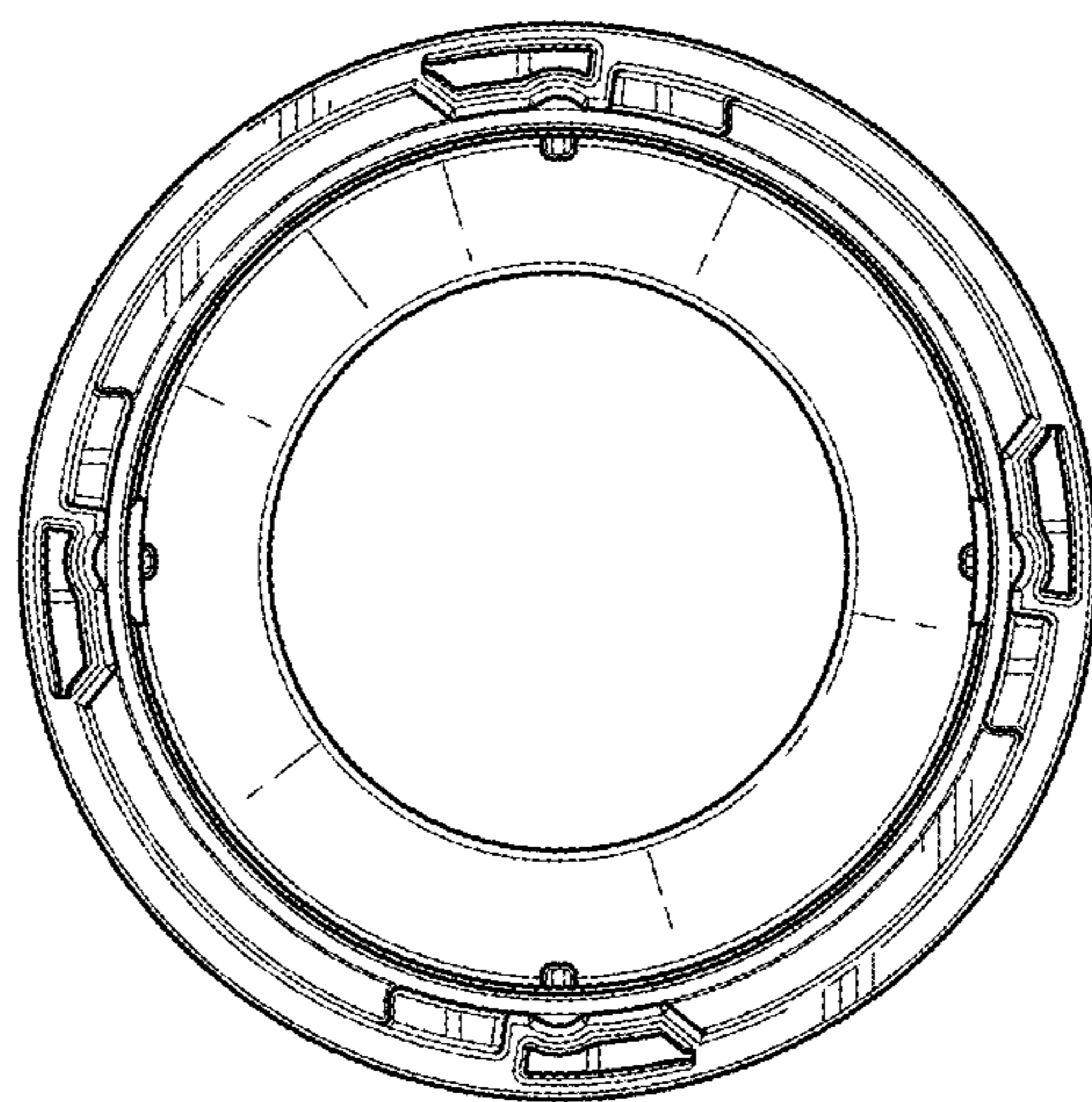


FIG. 3

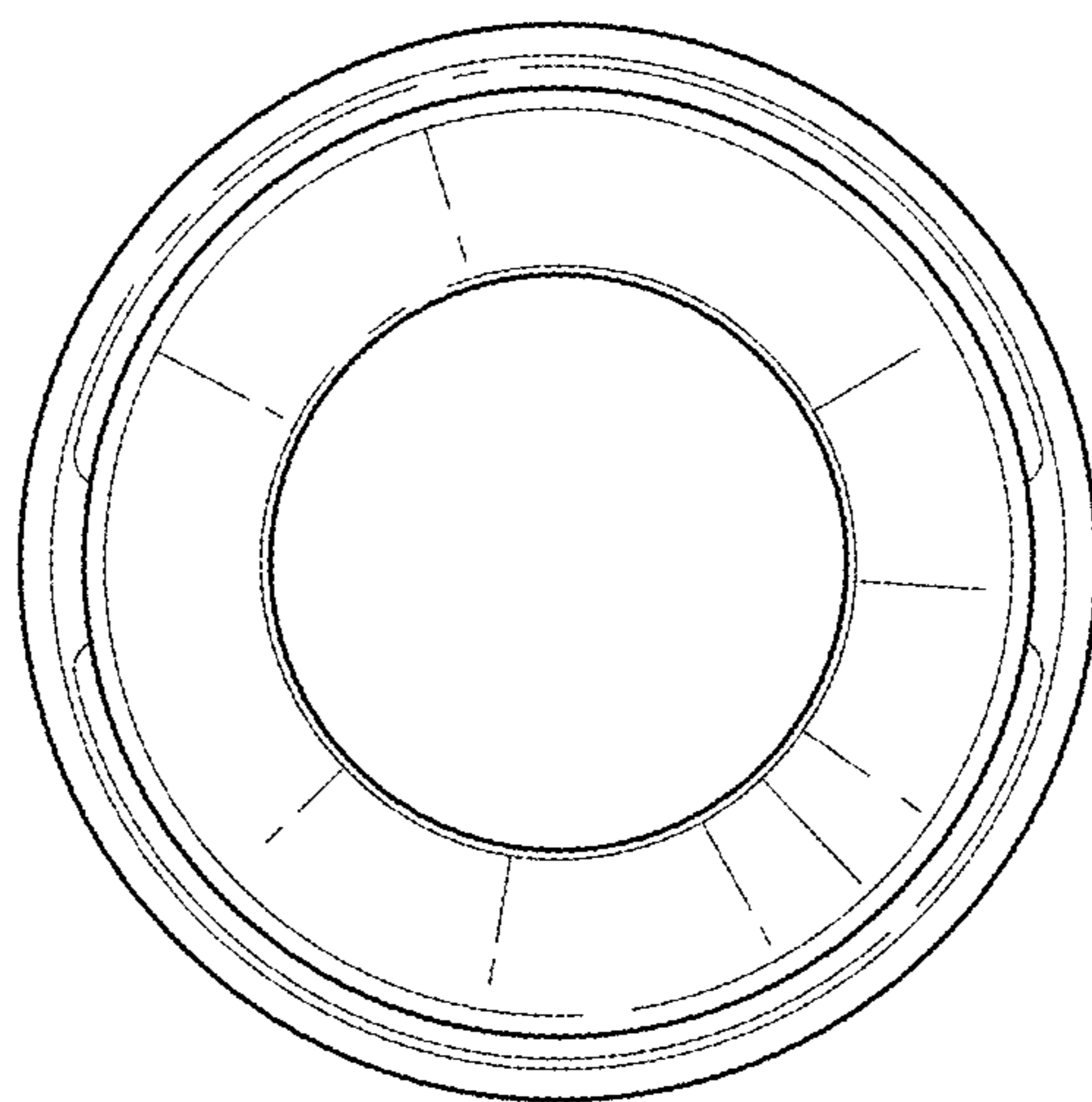


FIG. 4

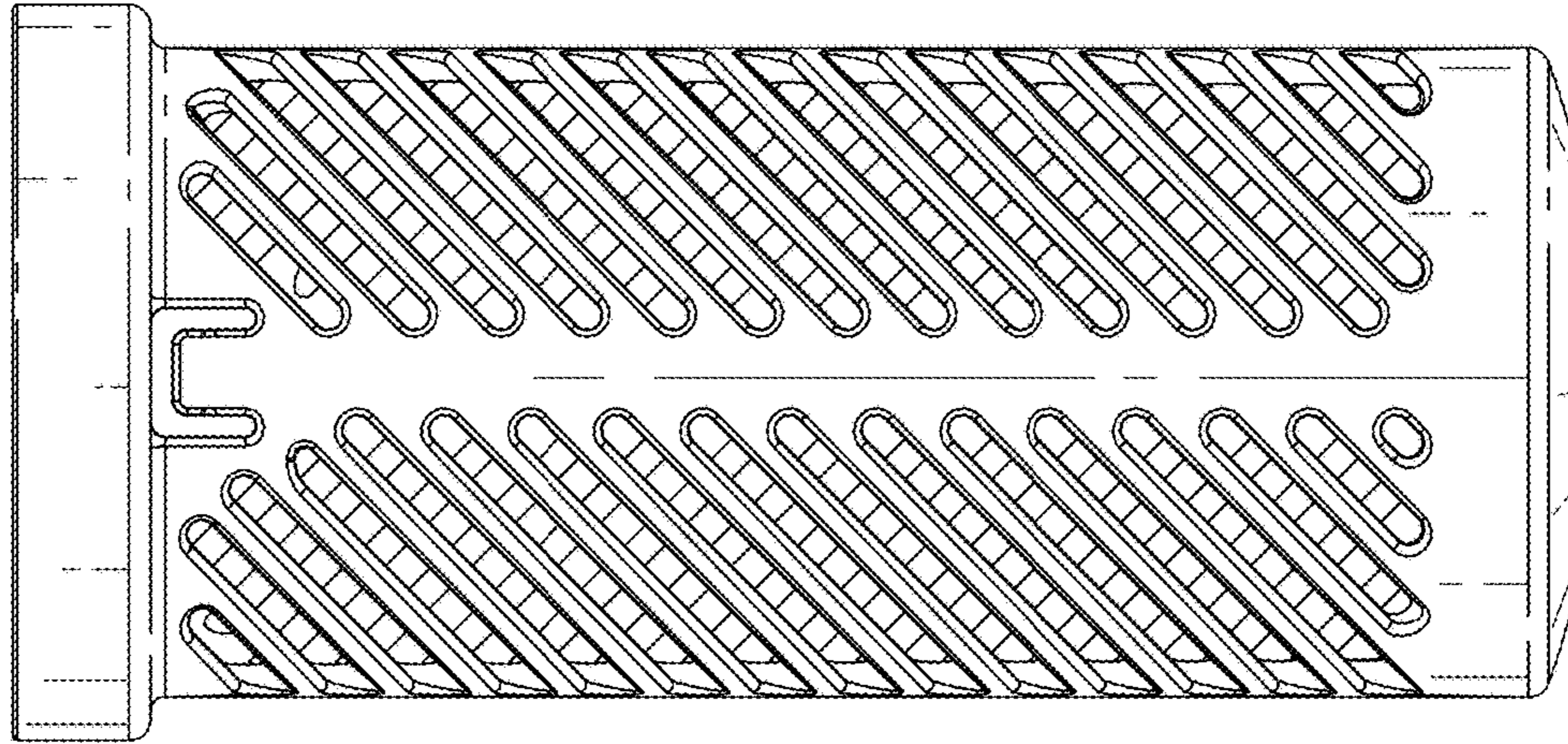


FIG. 5

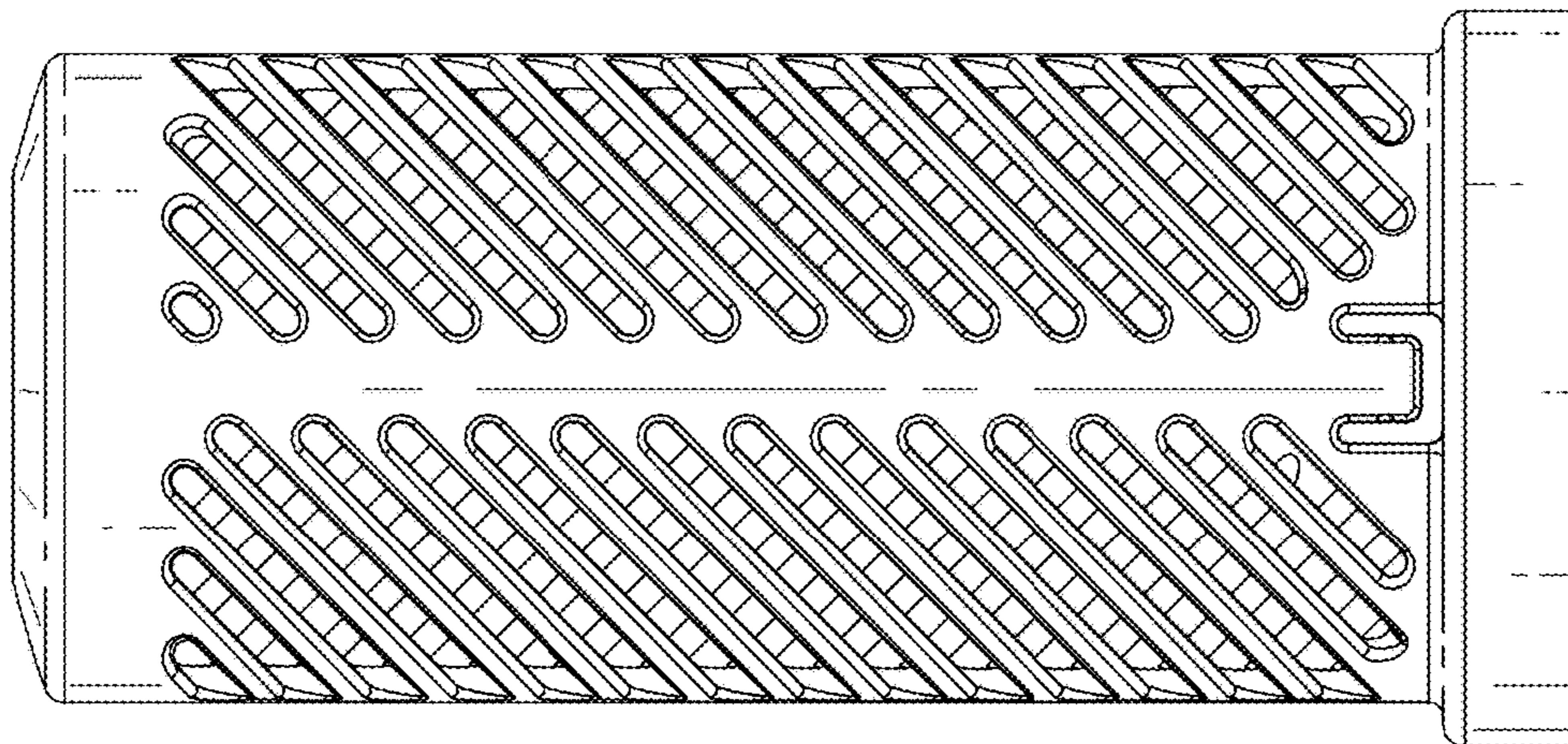


FIG. 6

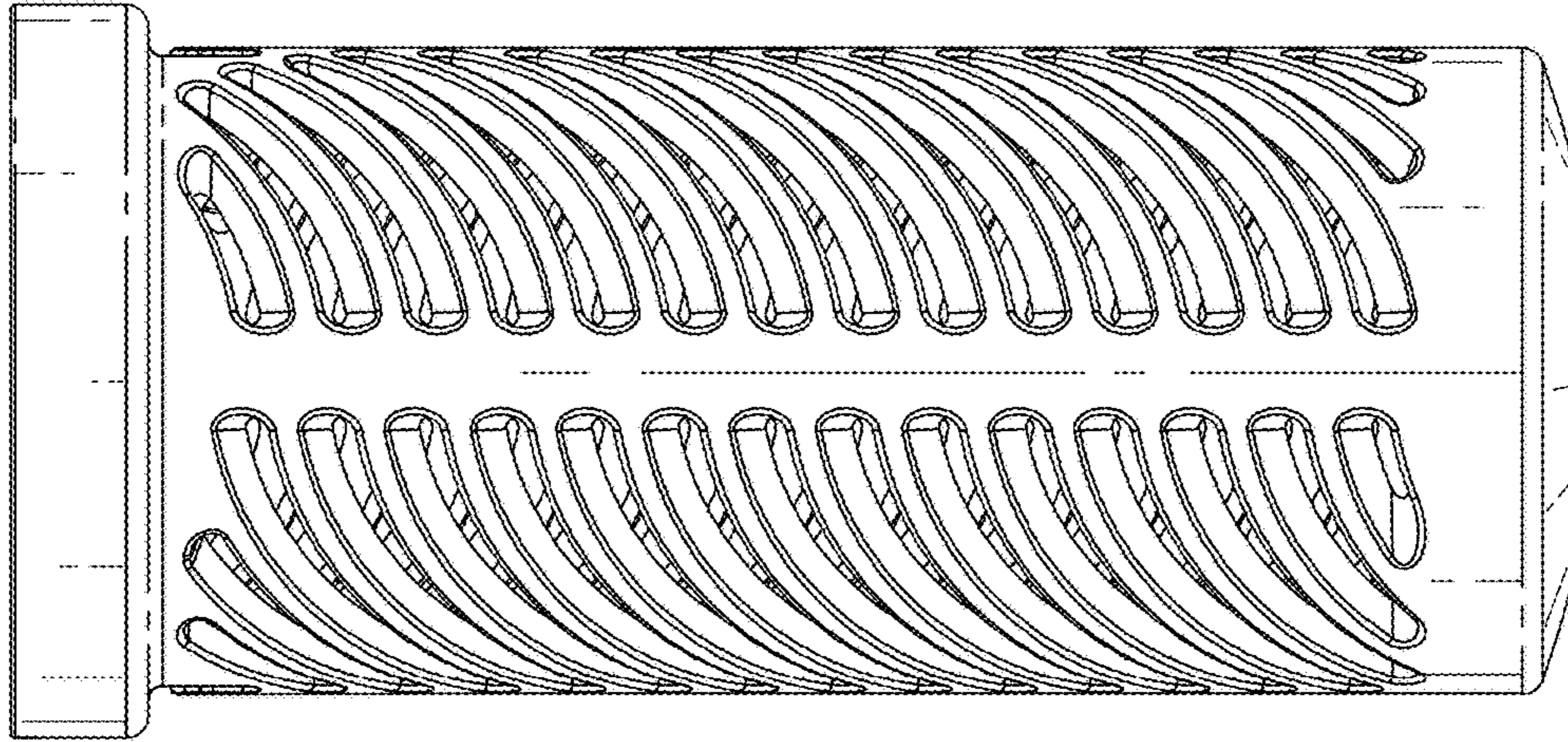


FIG. 7

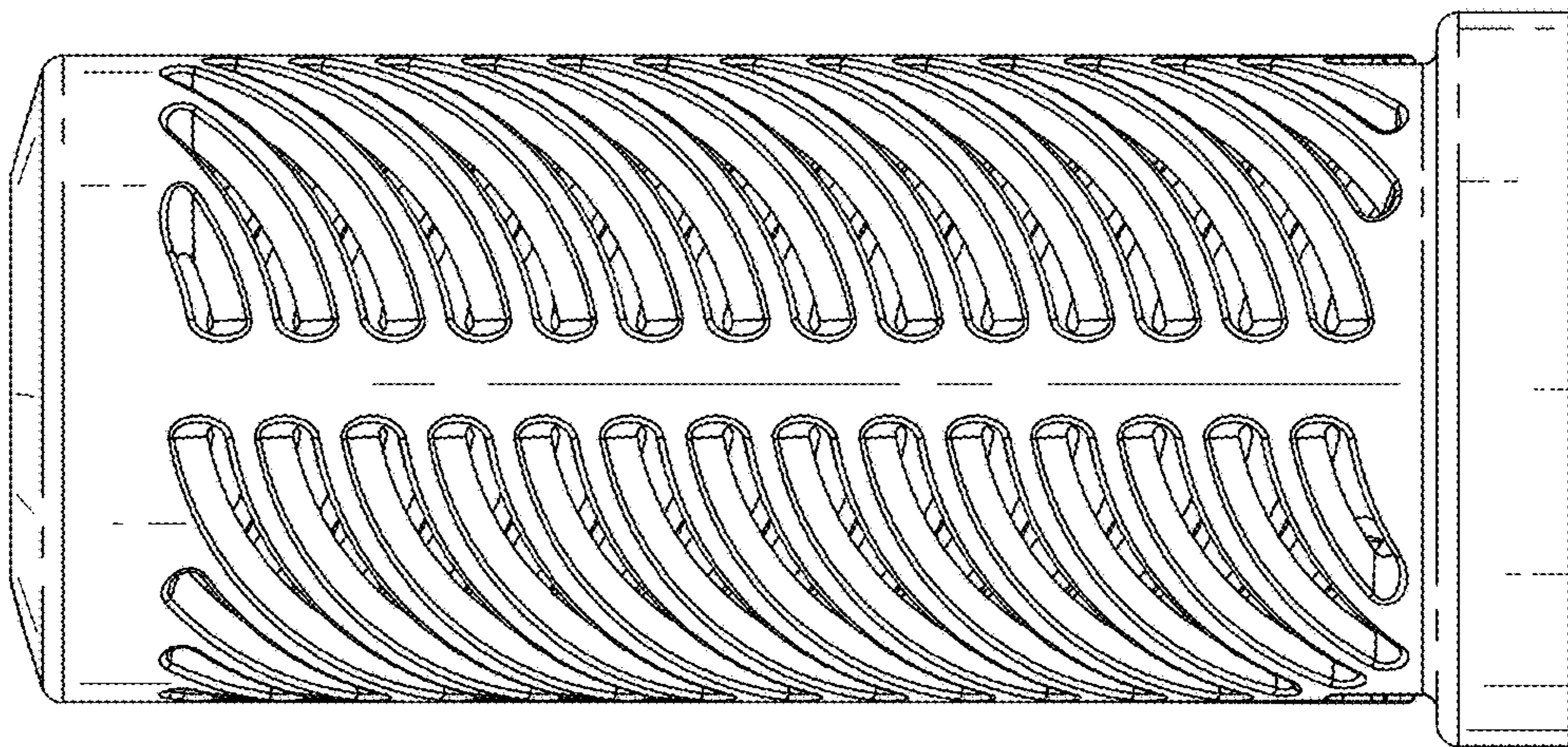


FIG. 8