



US00D815713S

(12) **United States Design Patent** (10) **Patent No.:** **US D815,713 S**
Ip (45) **Date of Patent:** **** Apr. 17, 2018**

(54) **SPRAY TANK**
(71) Applicant: **Hung Yam Ip**, Jiangmen (CN)
(72) Inventor: **Hung Yam Ip**, Jiangmen (CN)
(73) Assignee: **Hung Yam Ip**, Jiangmen (CN)
(**) Term: **15 Years**
(21) Appl. No.: **29/580,517**

D719,638 S * 12/2014 Pagliai D23/225
D749,192 S * 2/2016 Fontaine D23/225
D755,926 S * 5/2016 Wirz Luchsinger D23/202
D759,786 S * 6/2016 Laber D15/13
D760,350 S * 6/2016 Wirz Luchsinger D23/225
D770,016 S * 10/2016 Wirz Luchsinger D23/202
D780,291 S * 2/2017 Schrum D23/225
2006/0261181 A1 * 11/2006 Wirz B05B 9/0877
239/146
2015/0129682 A1 * 5/2015 Mitchell B05B 9/0426
239/154
2016/0038960 A1 * 2/2016 Fontaine B05B 11/3052
239/332

(22) Filed: **Oct. 11, 2016**
(51) **LOC (11) Cl.** **23-01**
(52) **U.S. Cl.**
USPC **D23/202**; D23/225
(58) **Field of Classification Search**
USPC D23/202, 225, 226; 239/332, 308, 152
CPC B05B 5/1691; B05B 7/241; B05B 7/2408;
B05B 7/2405; B05B 9/08; B05B 11/00;
B05B 11/0005
See application file for complete search history.

FOREIGN PATENT DOCUMENTS

EM 003415157-0001 10/2016

* cited by examiner

Primary Examiner — Robin V Webster
Assistant Examiner — James C Thorn, Sr.
(74) *Attorney, Agent, or Firm* — Viering, Jentschura & Partner mbB

(56) **References Cited**

U.S. PATENT DOCUMENTS

7,309,028 B2 * 12/2007 Langhans B05B 7/1427
222/175
D570,447 S * 6/2008 Hillhouse D23/202
D604,386 S * 11/2009 Campbell D23/202
D609,773 S * 2/2010 Abernethy D23/202
D616,959 S * 6/2010 Wu D23/202
7,854,396 B2 * 12/2010 Wu A01C 23/008
239/152
D633,984 S * 3/2011 Plantz D23/202
D672,848 S * 12/2012 Wirz Luchsinger D23/202
D685,057 S * 6/2013 Wirz Luchsinger D23/202
D719,637 S * 12/2014 Pagliai D23/225

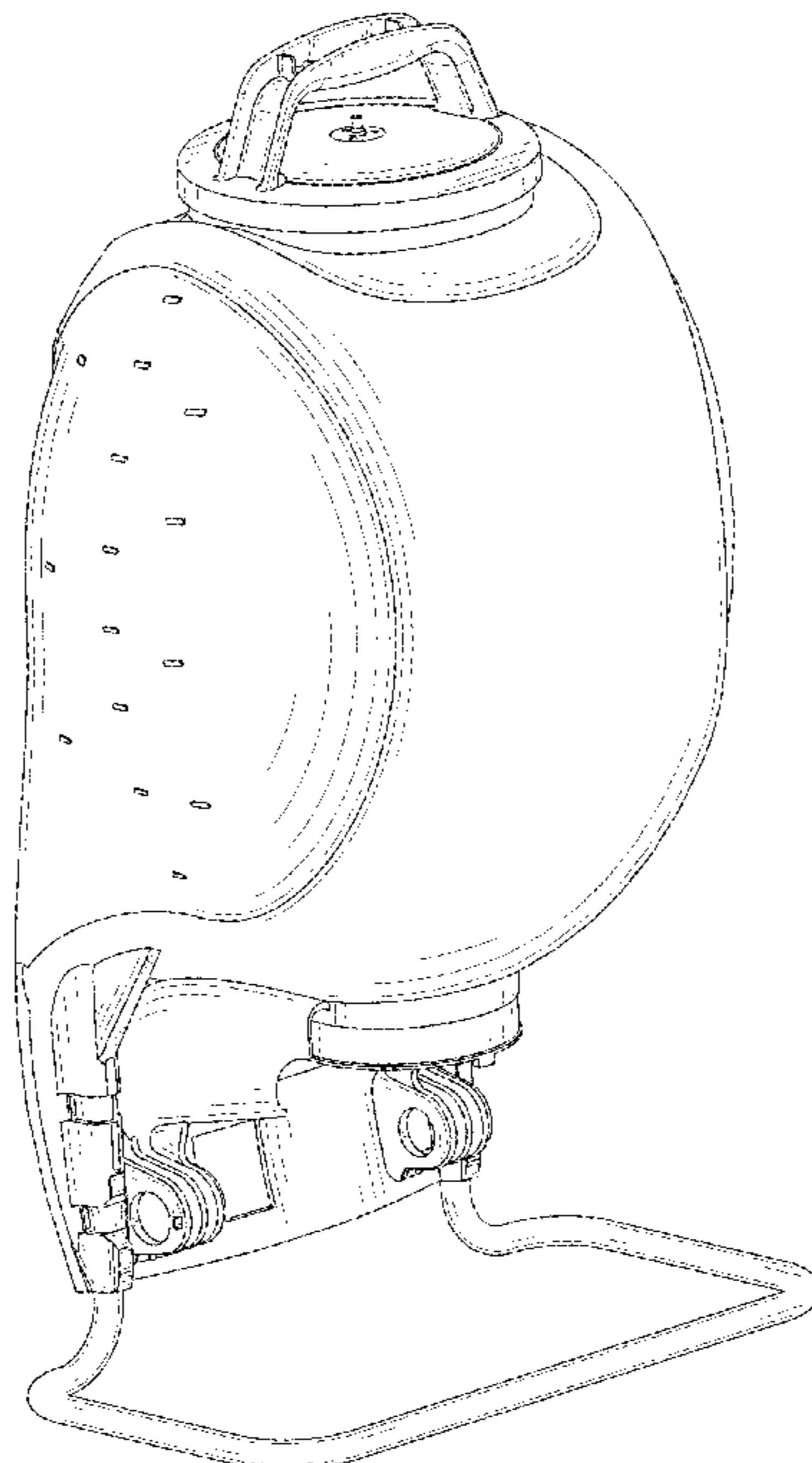
(57) **CLAIM**

The ornamental design for a spray tank, as shown and described.

DESCRIPTION

FIG. 1 is a front perspective view of a spray tank;
FIG. 2 is a front view of the spray tank;
FIG. 3 is a back view of the spray tank;
FIG. 4 is a left side view of the spray tank;
FIG. 5 is a right side view of the spray tank;
FIG. 6 is a top view of the spray tank; and,
FIG. 7 is a bottom view of the spray tank.

1 Claim, 7 Drawing Sheets



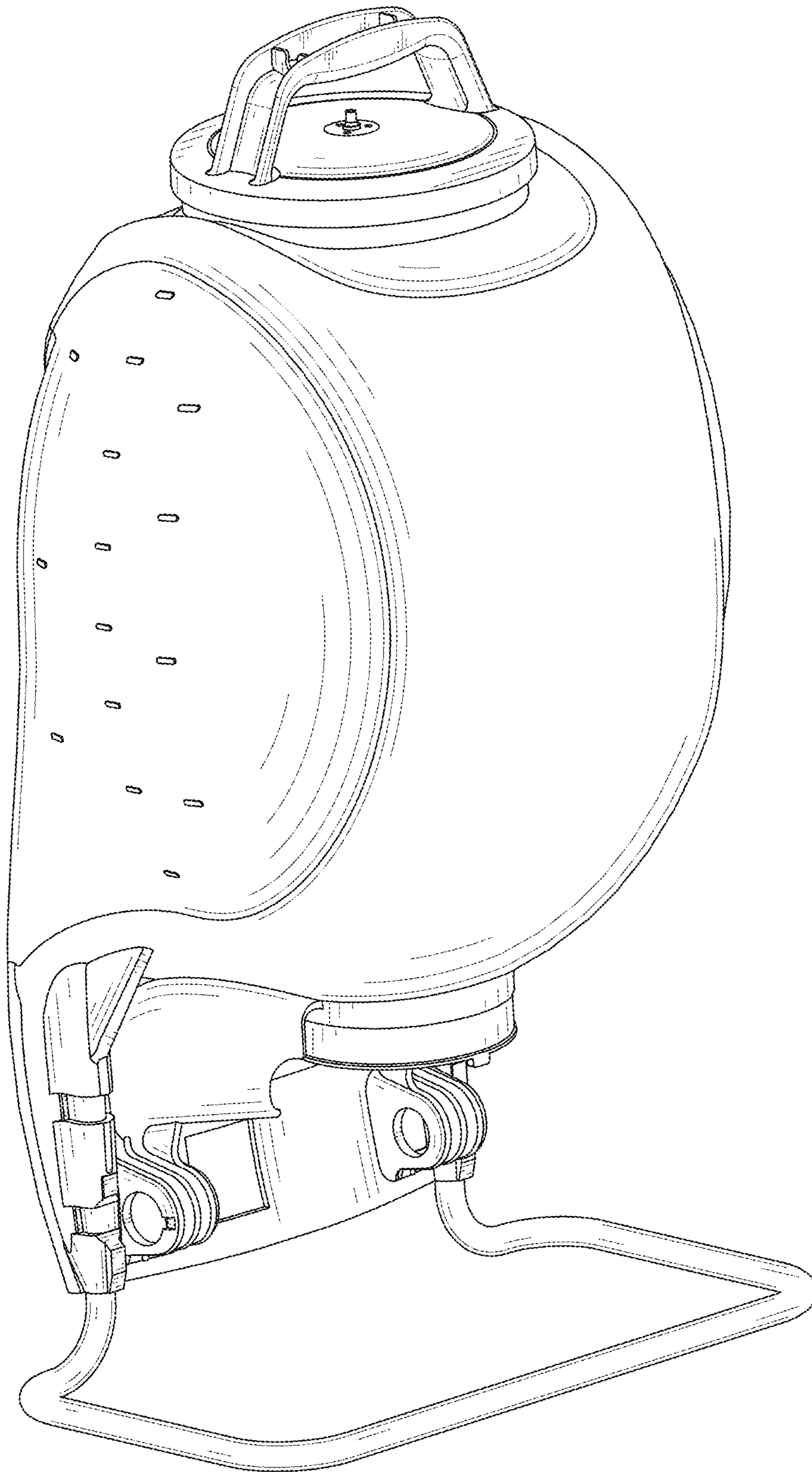


FIG. 1

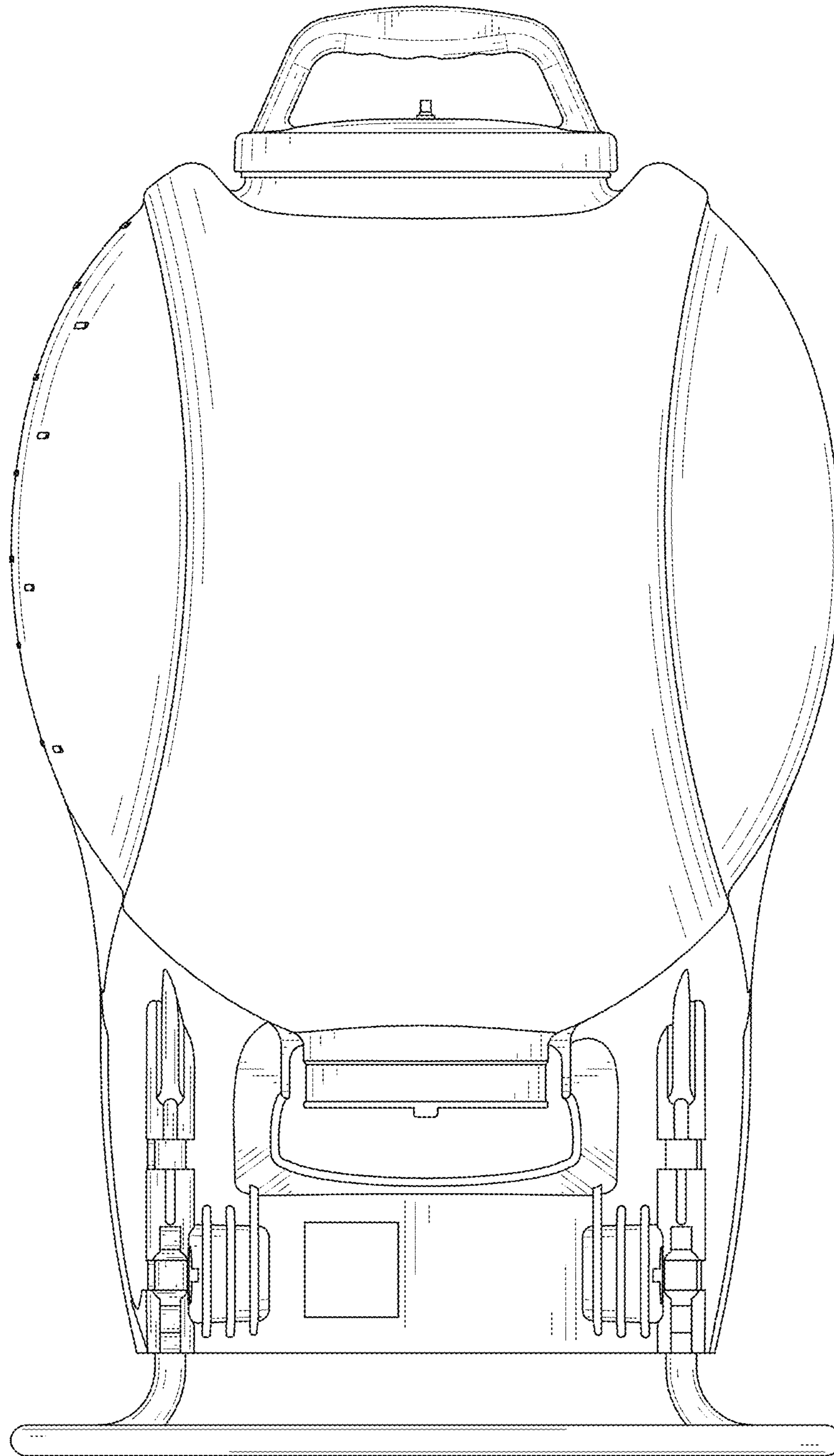


FIG. 2

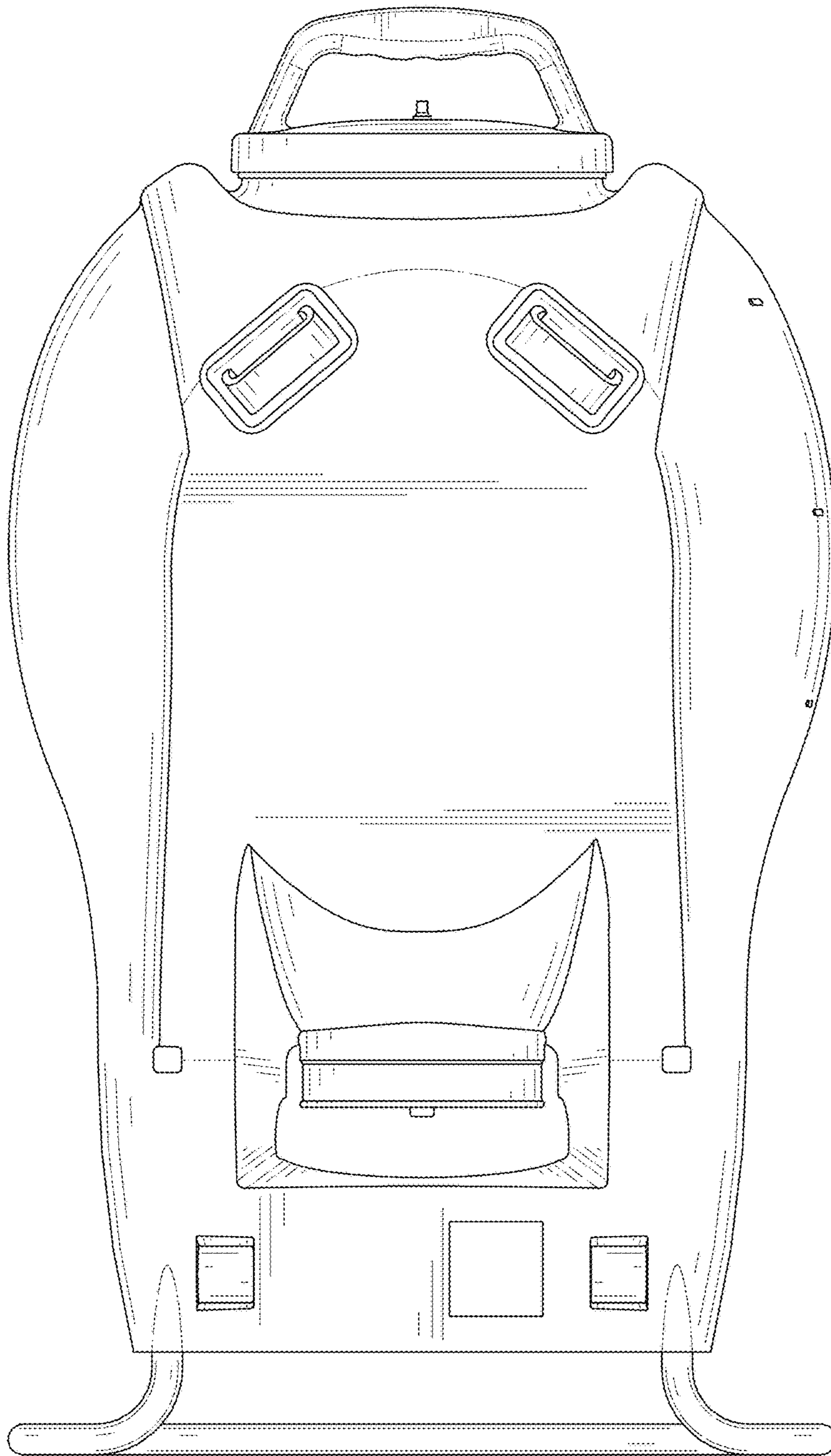


FIG. 3

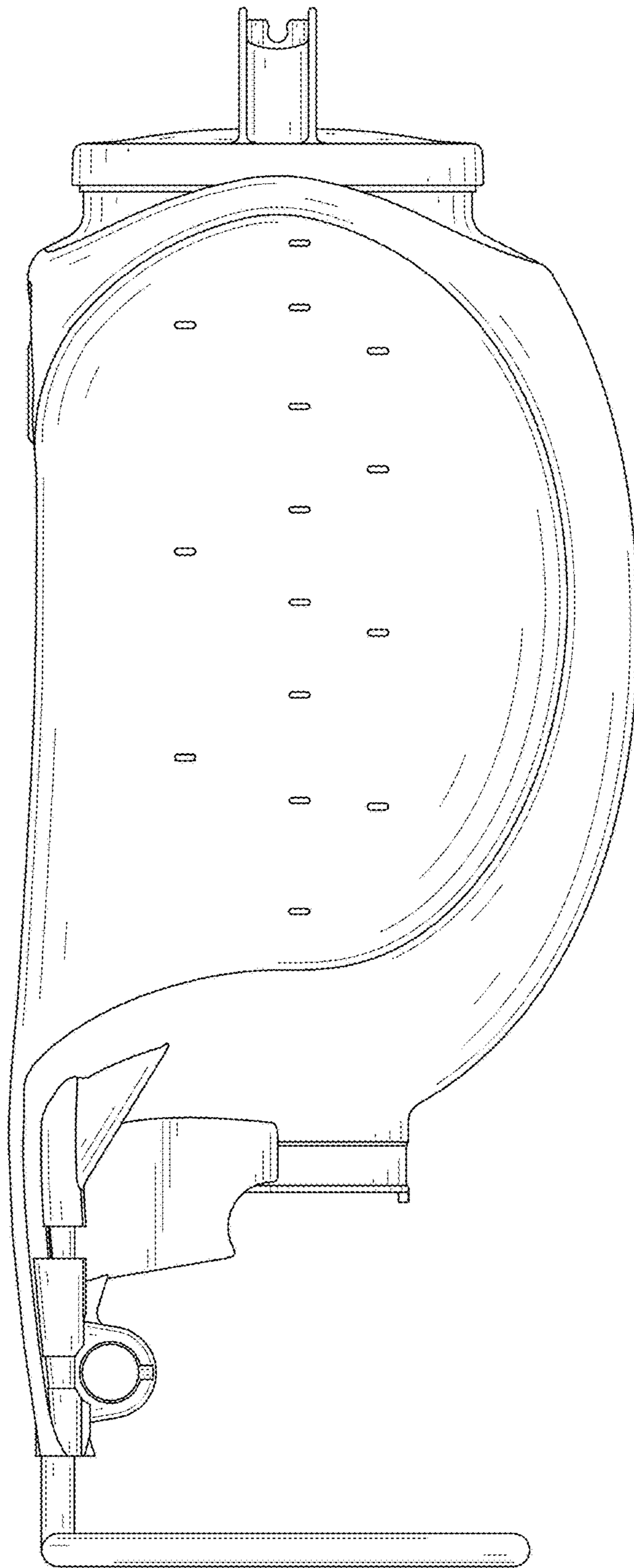


FIG. 4

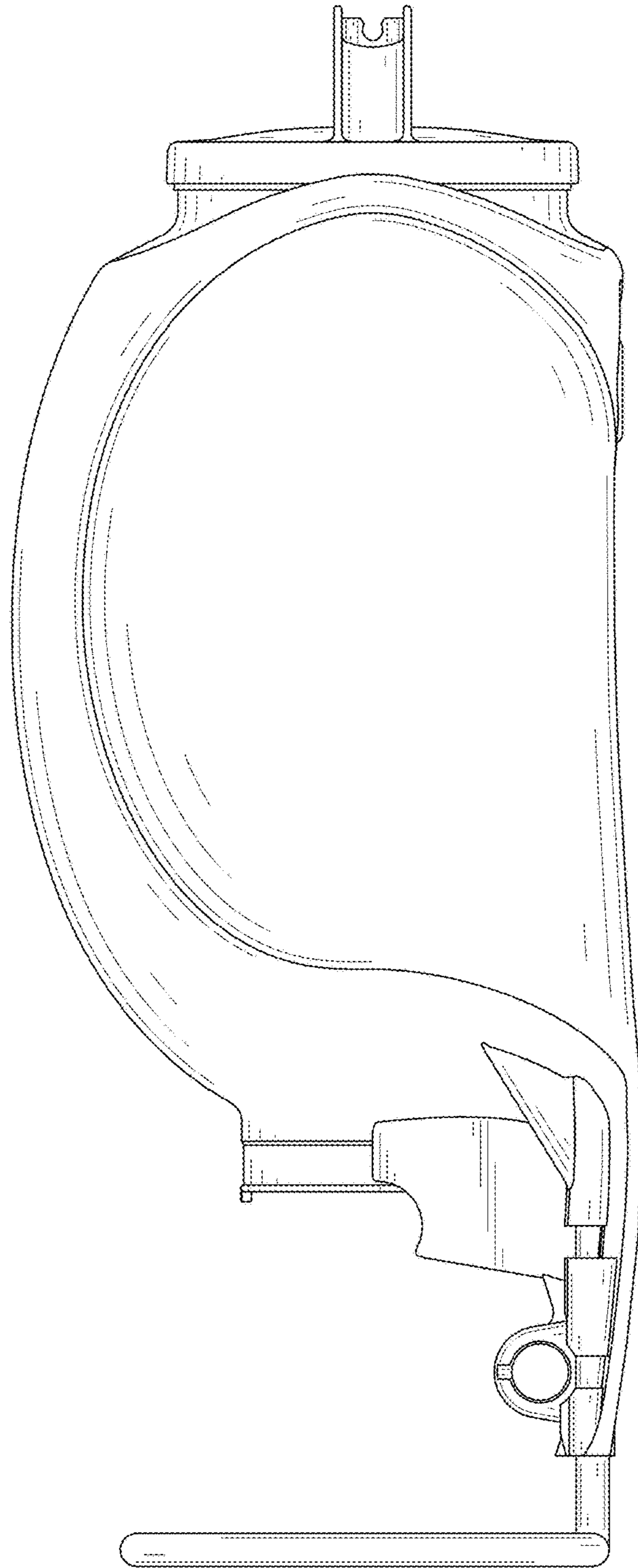


FIG. 5

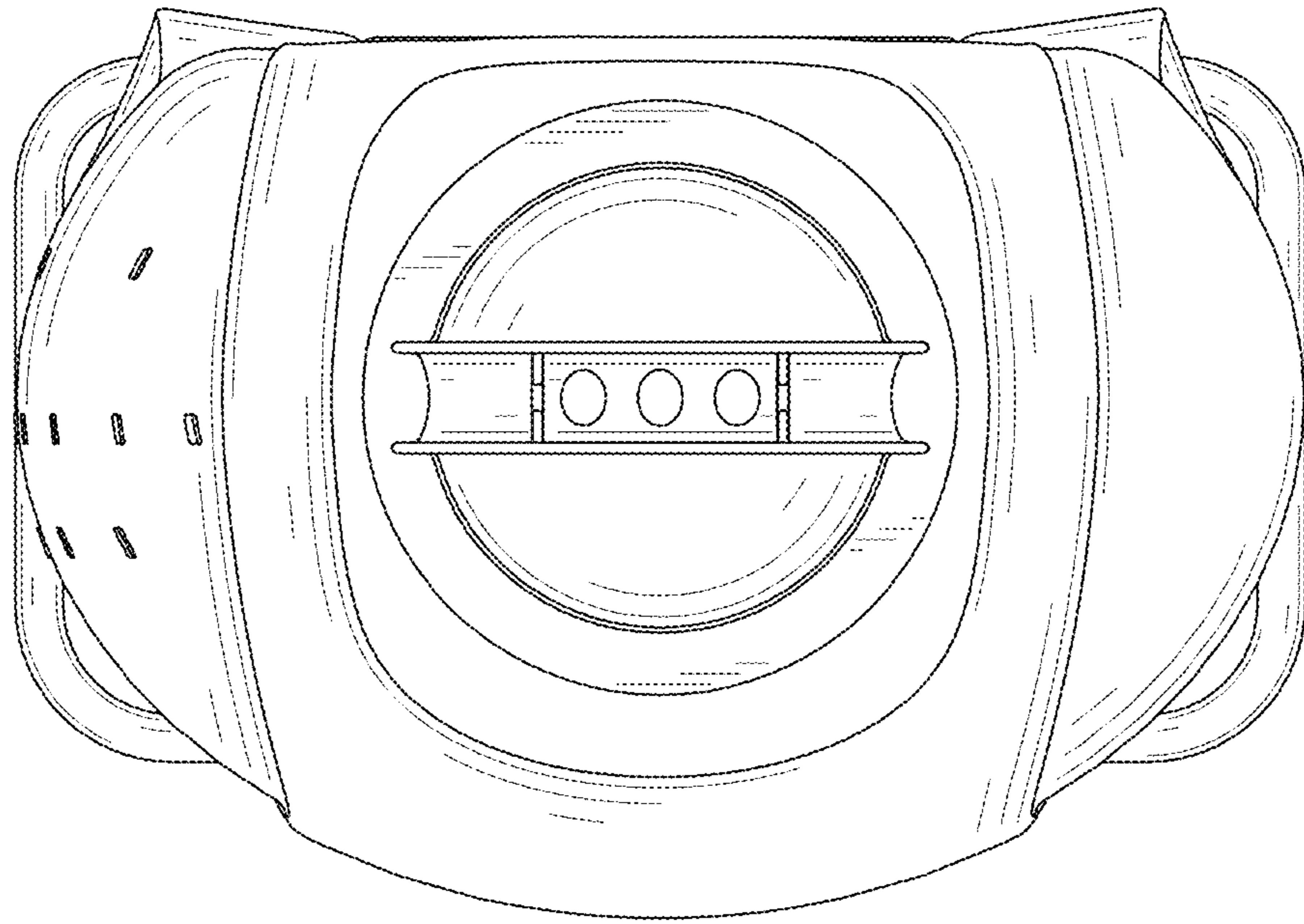


FIG. 6

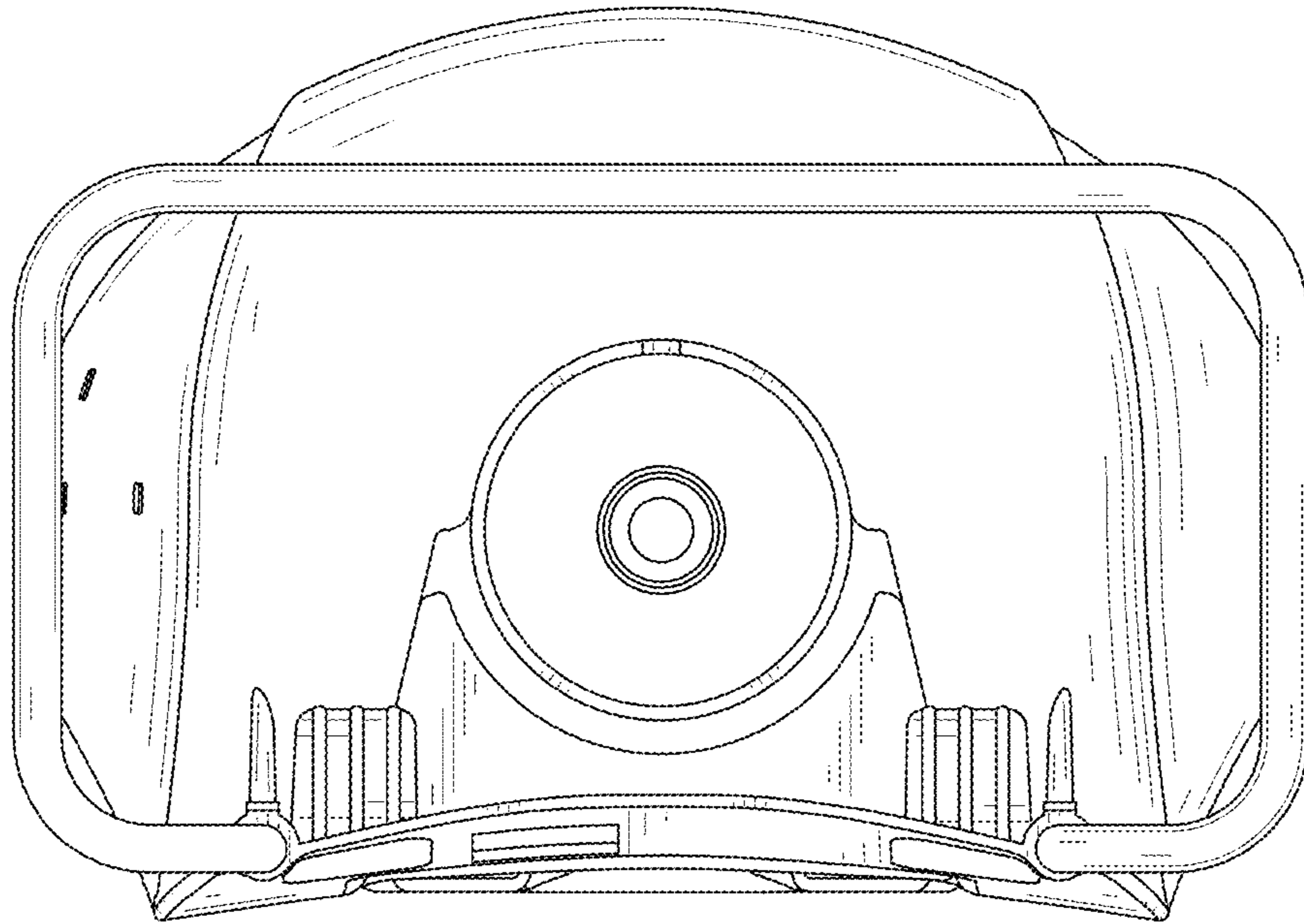


FIG. 7