



US00D815710S

(12) **United States Design Patent**
Packard et al.

(10) **Patent No.:** **US D815,710 S**
(45) **Date of Patent:** **** Apr. 17, 2018**

(54) **FIREARM**

(71) Applicant: **Sig Sauer, Inc.**, Newington, NH (US)

(72) Inventors: **Harry Andrew Packard**, Amesbury, MA (US); **Kathryn Hack**, Barrington, NH (US); **Christopher Sirois**, Newfields, NH (US); **Cory Joshua Newman**, Providence, UT (US); **Douglas Aubin**, Newmarket, NH (US); **David Michael Wilkes**, Deerfield, NH (US); **Robert Hirt**, Exeter, NH (US)

(73) Assignee: **Sig Sauer, Inc.**, Newington, NH (US)

(**) Term: **15 Years**

(21) Appl. No.: **29/571,753**

(22) Filed: **Jul. 21, 2016**

Related U.S. Application Data

(63) Continuation of application No. 29/514,630, filed on Jan. 14, 2015, now Pat. No. Des. 764,620.

(51) **LOC (11) Cl.** **22-01**

(52) **U.S. Cl.**
USPC **D22/103**

(58) **Field of Classification Search**
USPC D22/103, 108; D21/572-575
CPC F41C 23/00; F41C 27/00; F41C 27/06;
F41C 23/10; F41C 23/14; F41C 23/16;
F41C 23/18; F41A 5/18; F41A 5/24;
F41A 21/28

See application file for complete search history.

(56) **References Cited**

U.S. PATENT DOCUMENTS

D702,793 S * 4/2014 Burt D22/103
D716,403 S * 10/2014 Burt D22/108

D725,213 S * 3/2015 Hirt D22/103
D725,219 S * 3/2015 Hirt D22/108
D731,023 S * 6/2015 Hirt D22/108
2014/0033590 A1 2/2014 Gomez
2014/0075816 A1 3/2014 Larson et al.
2014/0260946 A1 9/2014 Gomez

OTHER PUBLICATIONS

Sig Sauer, Inc. 2015 Product Catalog (abridged), MCX, downloaded from <http://www.sigsauer.com/Download/CatalogRequest.aspx> on Apr. 2, 2015, 6 pages total.

* cited by examiner

Primary Examiner — Michael A. Pratt

(74) *Attorney, Agent, or Firm* — Finch & Maloney PLLC

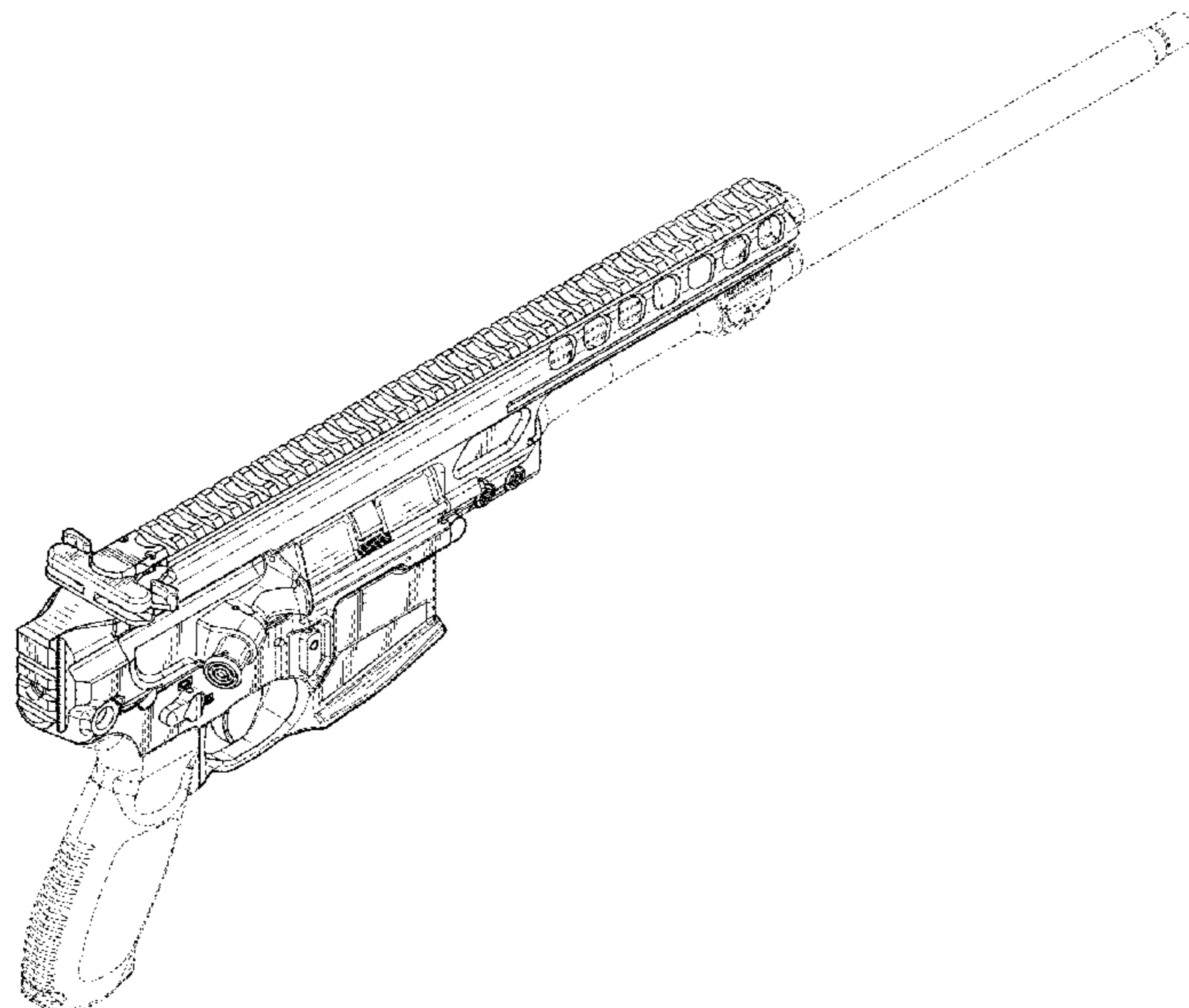
(57) **CLAIM**

The ornamental design for a firearm, as shown and described.

DESCRIPTION

FIG. 1 is a perspective view of a firearm showing our new design;
FIG. 2 is a top elevation view thereof;
FIG. 3 is a bottom elevation view thereof;
FIG. 4 is a left elevation view thereof;
FIG. 5 is a right elevation view thereof;
FIG. 6 is a front elevation view thereof; and,
FIG. 7 is a rear elevation view thereof.
The broken lines in the figures are for the purpose of illustrating environmental structure only and form no part of the claimed design.

1 Claim, 5 Drawing Sheets



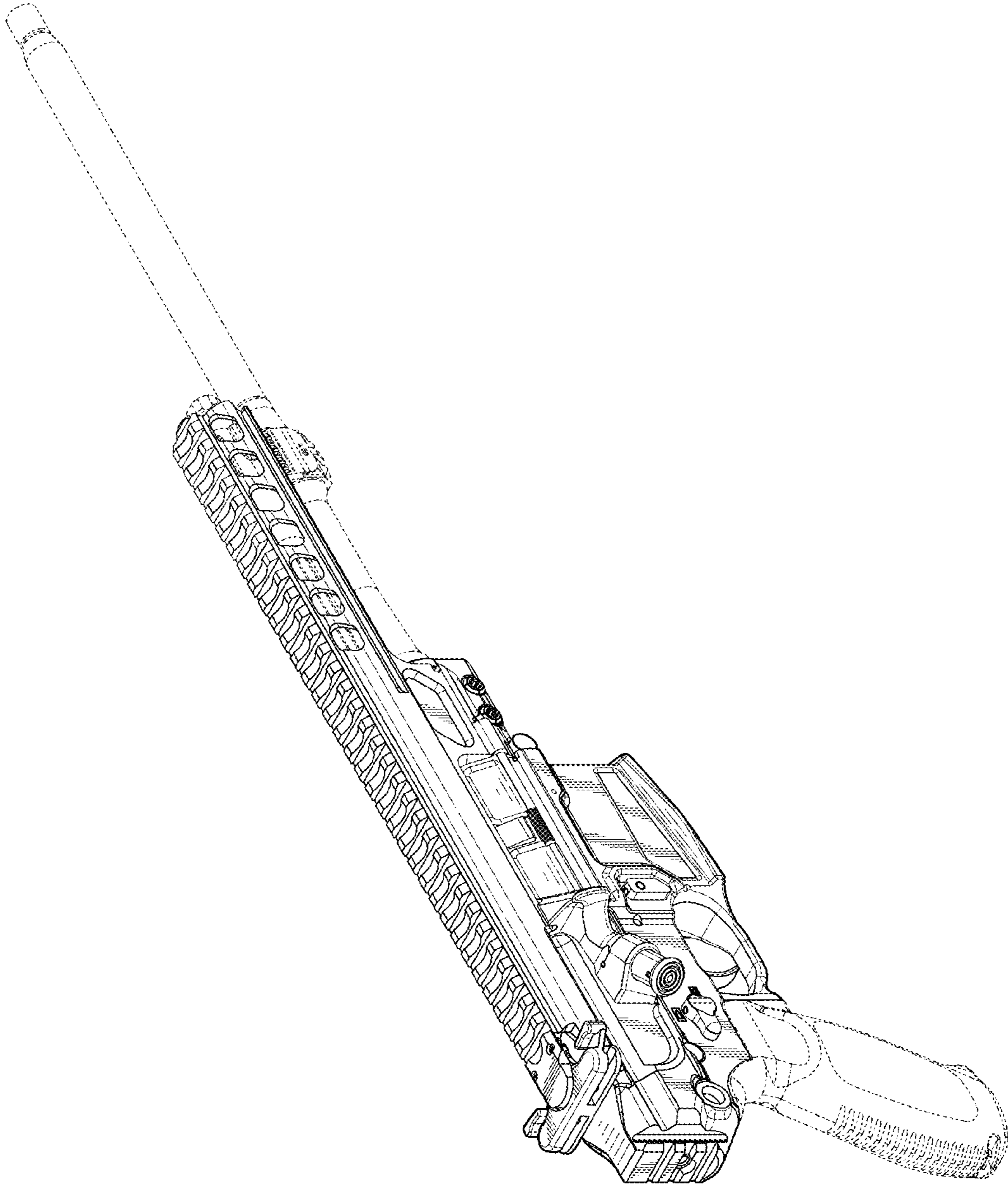


FIG. 1

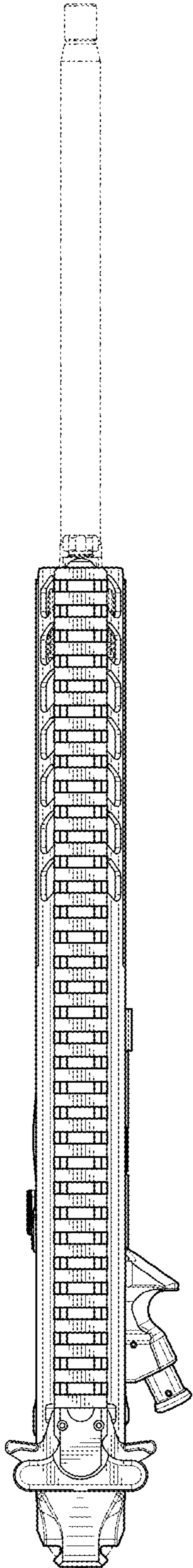


FIG. 2

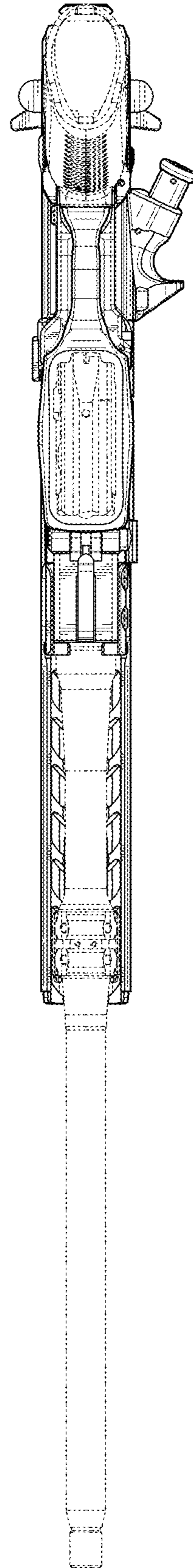


FIG. 3

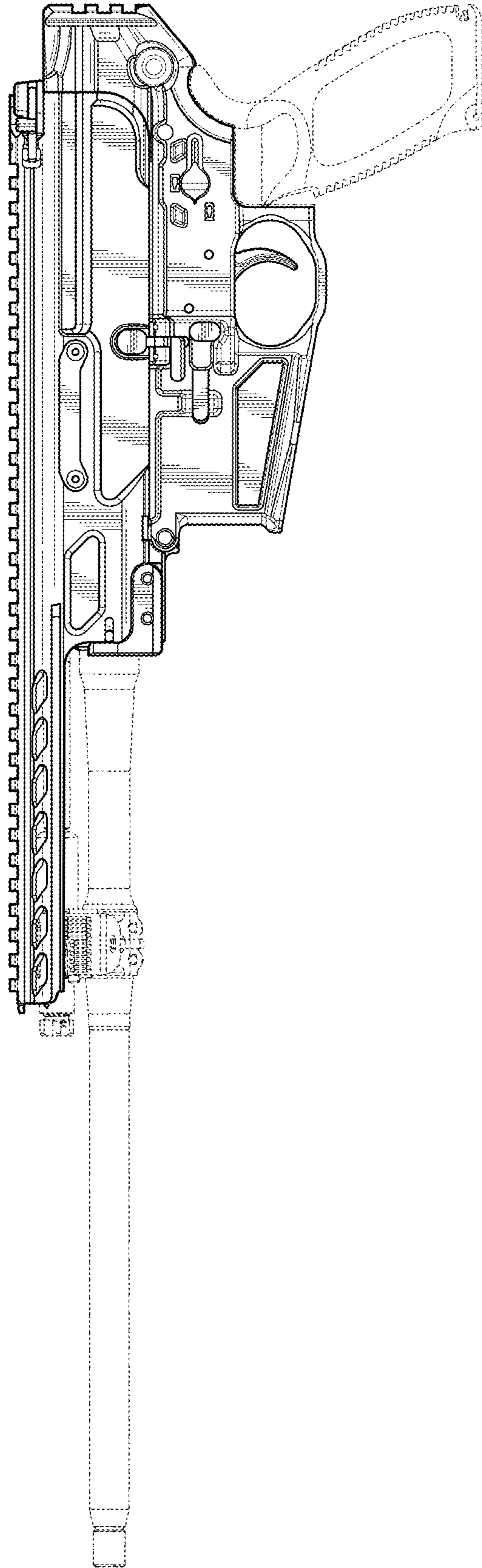


FIG. 4

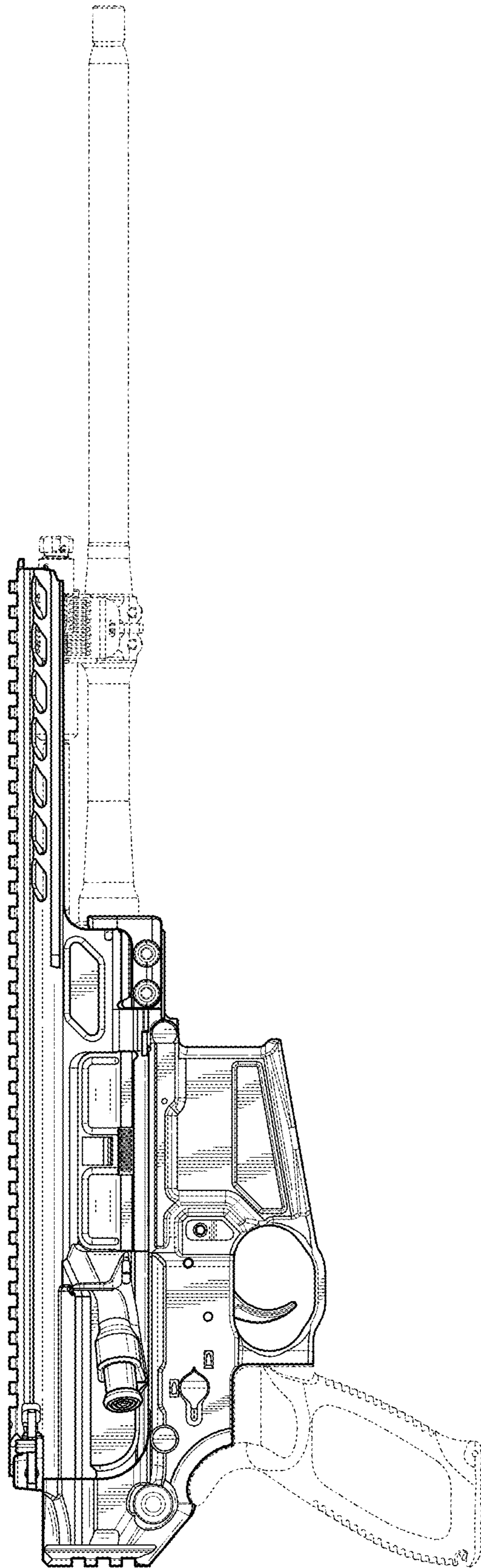


FIG. 5

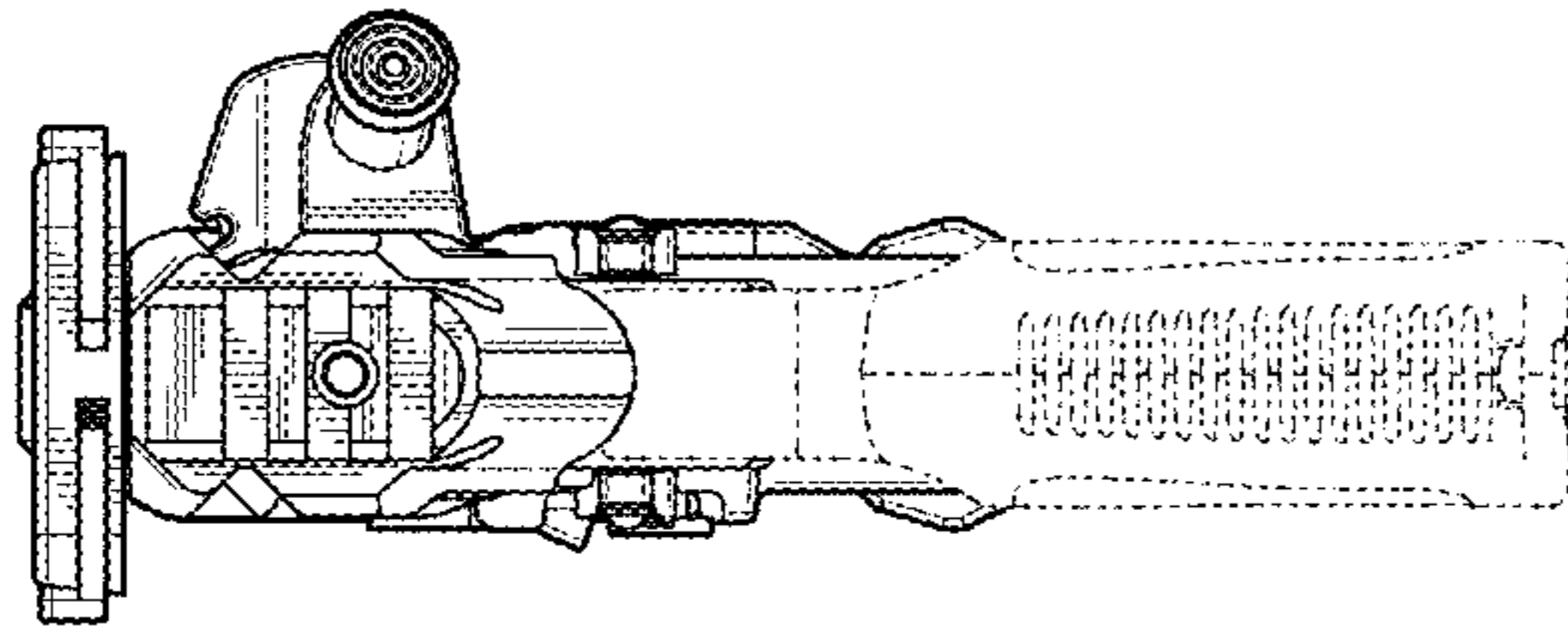


FIG. 7

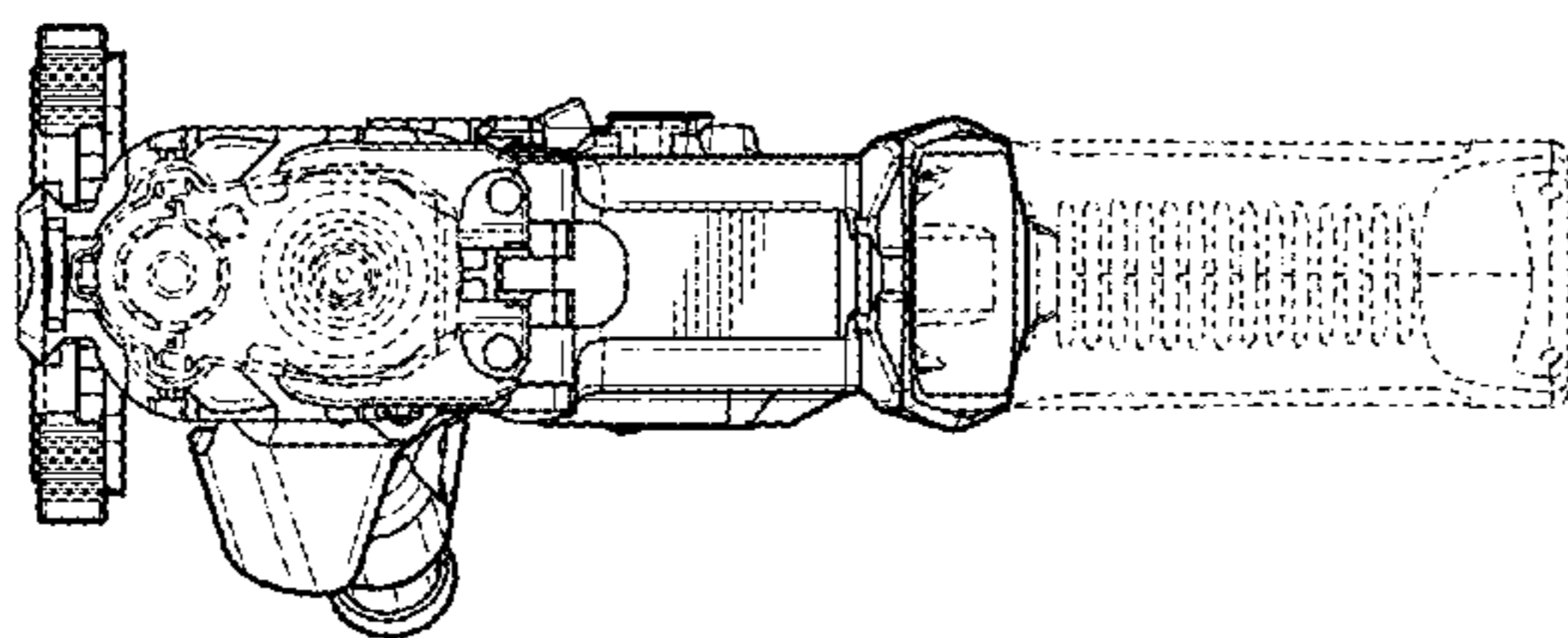


FIG. 6