



US00D815708S

(12) **United States Design Patent**  
**Wakoh**

(10) **Patent No.:** **US D815,708 S**

(45) **Date of Patent:** **\*\* Apr. 17, 2018**

- (54) **GOLF TEACHING APPARATUS**
- (71) Applicant: **Shinji Yamamoto**, Hyogo (JP)
- (72) Inventor: **Masashi Wakoh**, Hyogo (JP)
- (73) Assignee: **Shinji Yamamoto**, Hyogo (JP)
- (\*\*) Term: **15 Years**
- (21) Appl. No.: **29/578,852**

- 5,265,876 A \* 11/1993 Moon ..... A63B 69/365  
473/224
- 5,538,251 A \* 7/1996 Harper ..... A63B 69/365  
473/229
- D387,835 S \* 12/1997 Abram ..... D21/791
- 6,196,933 B1 \* 3/2001 Hope ..... A63B 69/365  
473/218
- 6,855,065 B1 \* 2/2005 Hamilton ..... A63B 69/3685  
473/229
- D636,042 S \* 4/2011 Campitelli ..... D21/789
- 8,956,237 B2 \* 2/2015 Campitelli ..... A63B 69/3641  
473/220

(22) Filed: **Sep. 26, 2016**

(30) **Foreign Application Priority Data**

Feb. 19, 2016 (JP) ..... 2016-003608

(51) **LOC (11) Cl.** ..... **21-02**

(52) **U.S. Cl.**  
USPC ..... **D21/791**

(58) **Field of Classification Search**  
USPC ..... D21/789, 791  
CPC . A63B 69/36; A63B 69/3617; A63B 69/3632;  
A63B 69/3635; A63B 69/3638; A63B  
69/3641; A63B 69/3644; A63B 69/3647;  
A63B 69/365  
See application file for complete search history.

(56) **References Cited**

**U.S. PATENT DOCUMENTS**

- 3,400,933 A \* 9/1968 Heiser ..... A63B 69/365  
473/229
- 3,604,712 A \* 9/1971 Prior ..... A63B 24/0003  
473/229
- 4,449,708 A \* 5/1984 Humphrey ..... A63B 69/3647  
473/229
- 4,486,020 A \* 12/1984 Kane ..... A63B 69/365  
473/229
- 4,580,786 A \* 4/1986 Shipley ..... A63B 69/365  
473/229
- 4,653,757 A \* 3/1987 Wilkinson ..... A63B 69/365  
473/229

\* cited by examiner

*Primary Examiner* — Mitchell I. Siegel

(74) *Attorney, Agent, or Firm* — Wenderoth, Lind & Ponack, L.L.P.

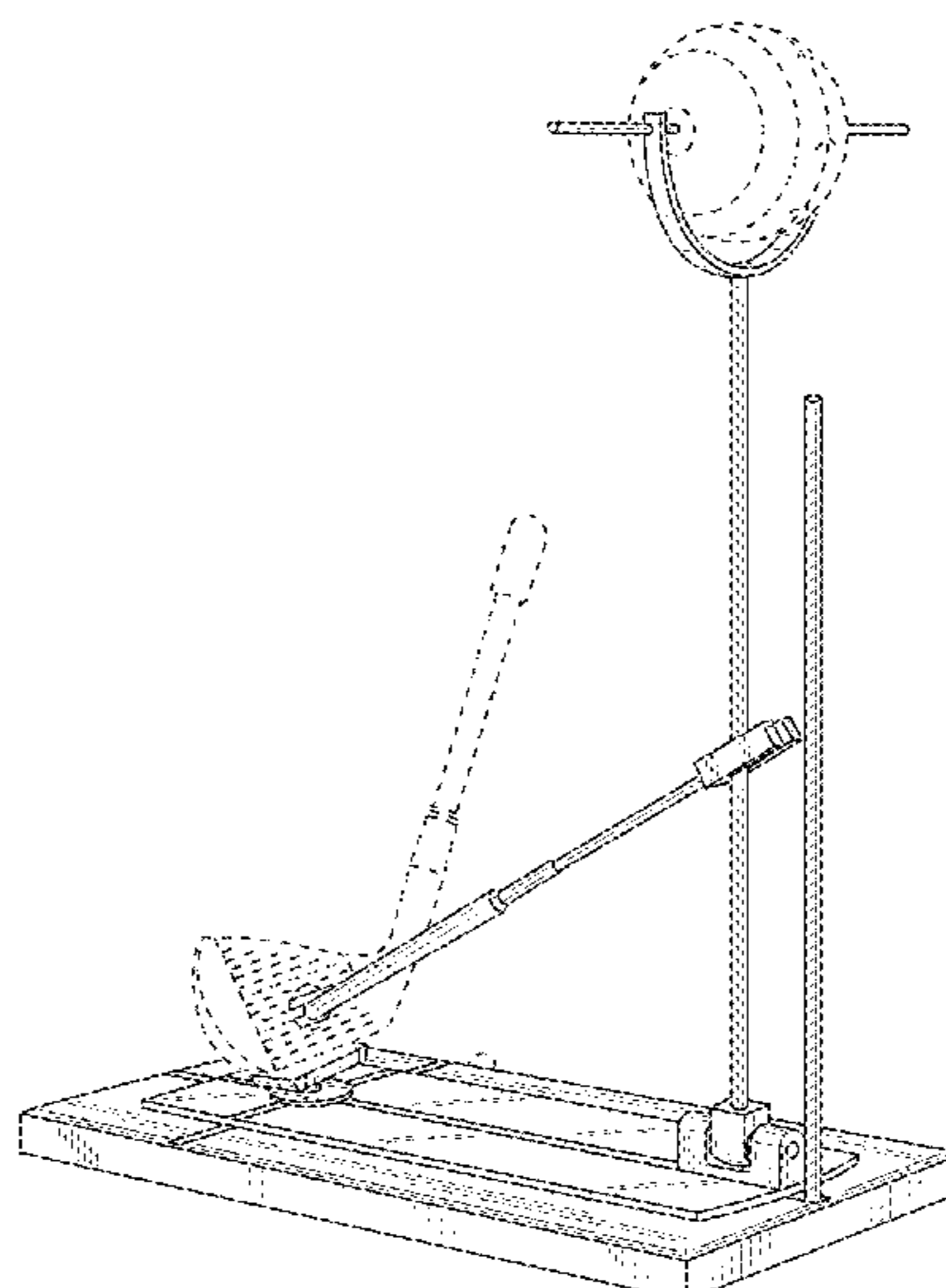
(57) **CLAIM**

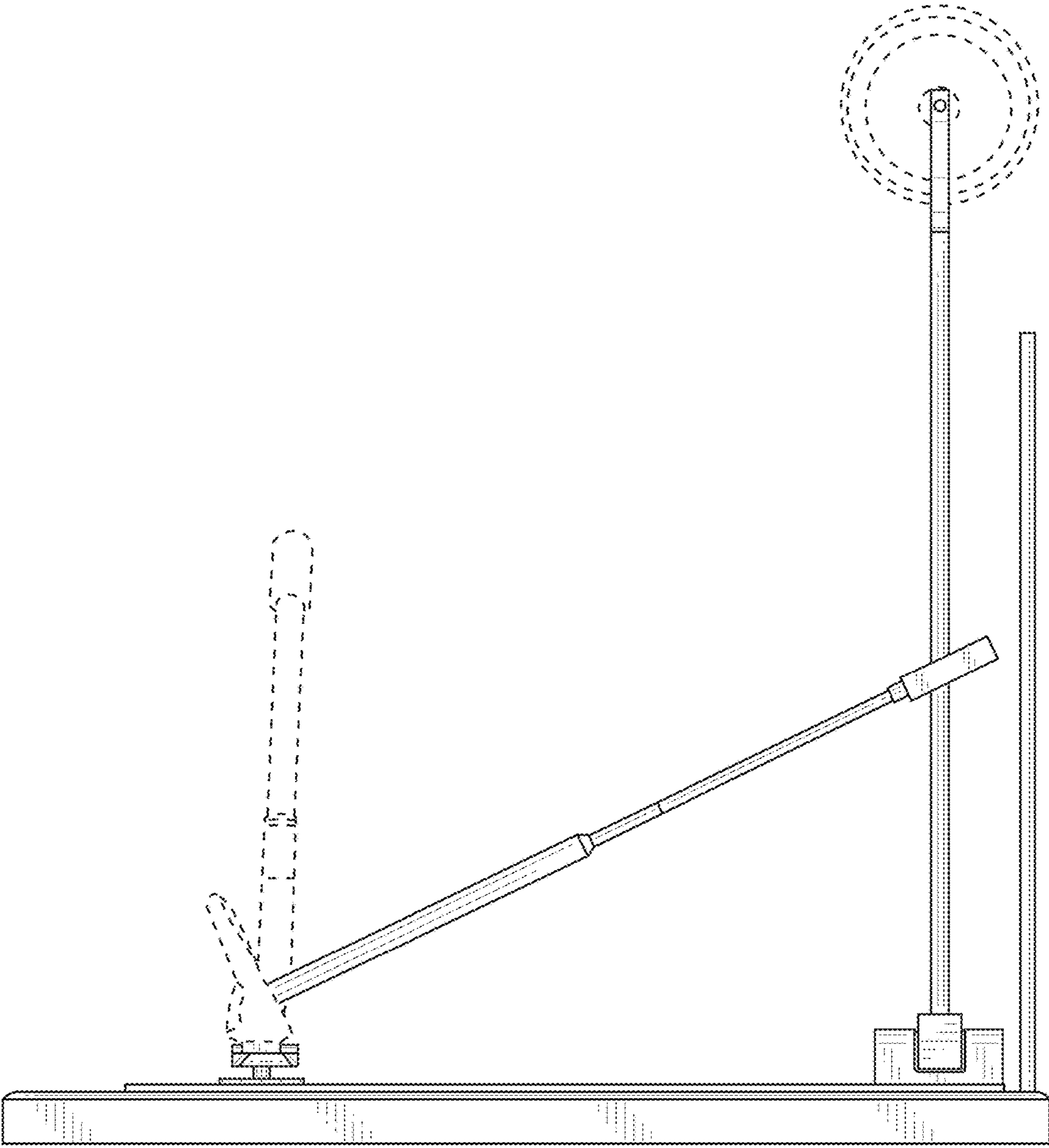
The ornamental design for a golf teaching apparatus, as shown and described.

**DESCRIPTION**

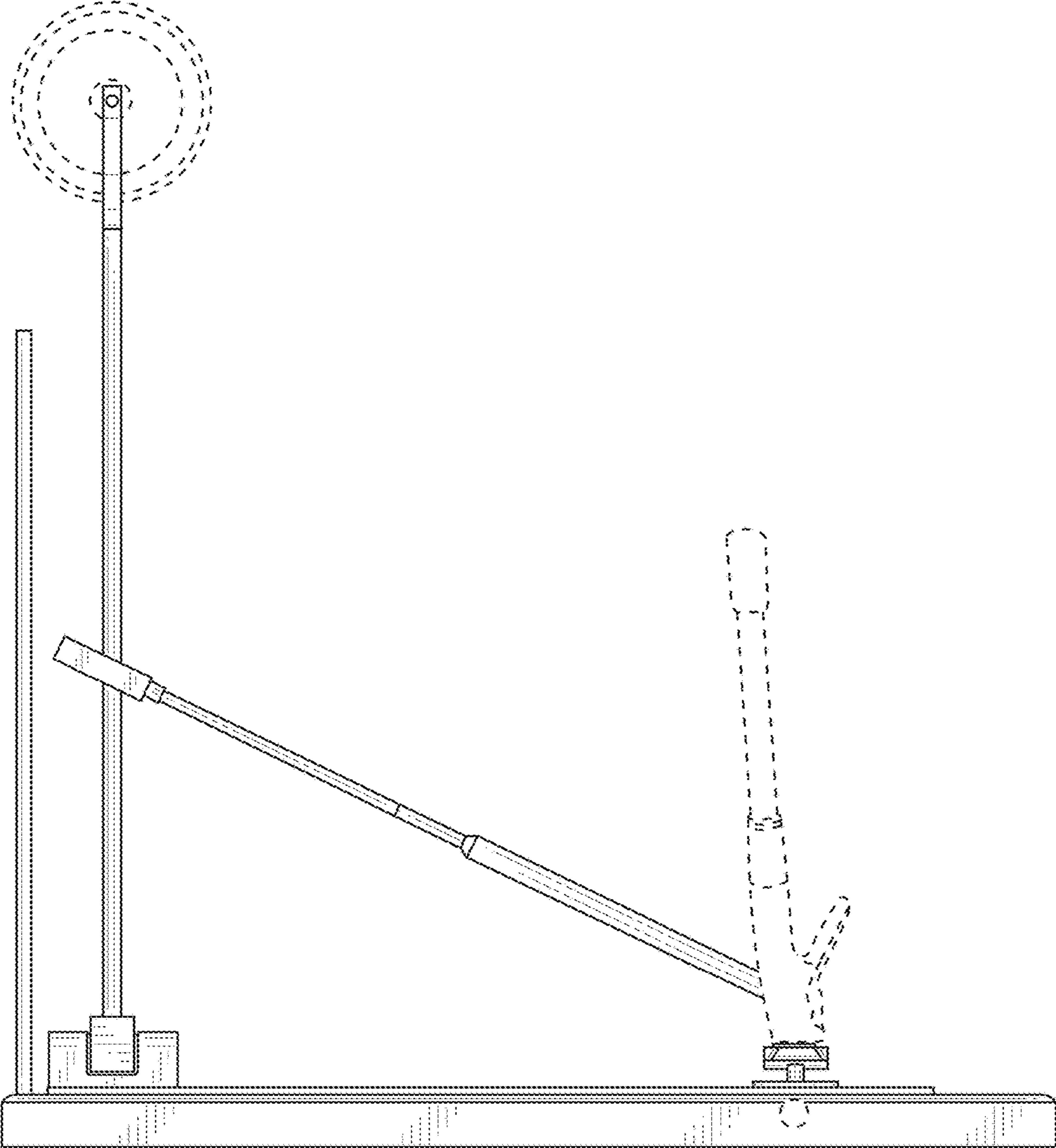
FIG. 1 is a front view of the design;  
 FIG. 2 is a rear view of the design;  
 FIG. 3 is a plan view of the design;  
 FIG. 4 is a bottom view of the design;  
 FIG. 5 is a right side view of the design;  
 FIG. 6 is a left side view of the design;  
 FIG. 7 is a perspective view of the design;  
 FIG. 8 is a perspective view being shown in an alternate position;  
 FIG. 9 is a perspective view being shown in a second alternate position;  
 FIG. 10 is a perspective view being shown in a third alternate position; and,  
 FIG. 11 is a perspective view being shown in a fourth alternate position.  
 The broken line showing is included for the purpose of illustrating and forms no part of the claimed design.

**1 Claim, 11 Drawing Sheets**





**FIG. 1**



**FIG. 2**

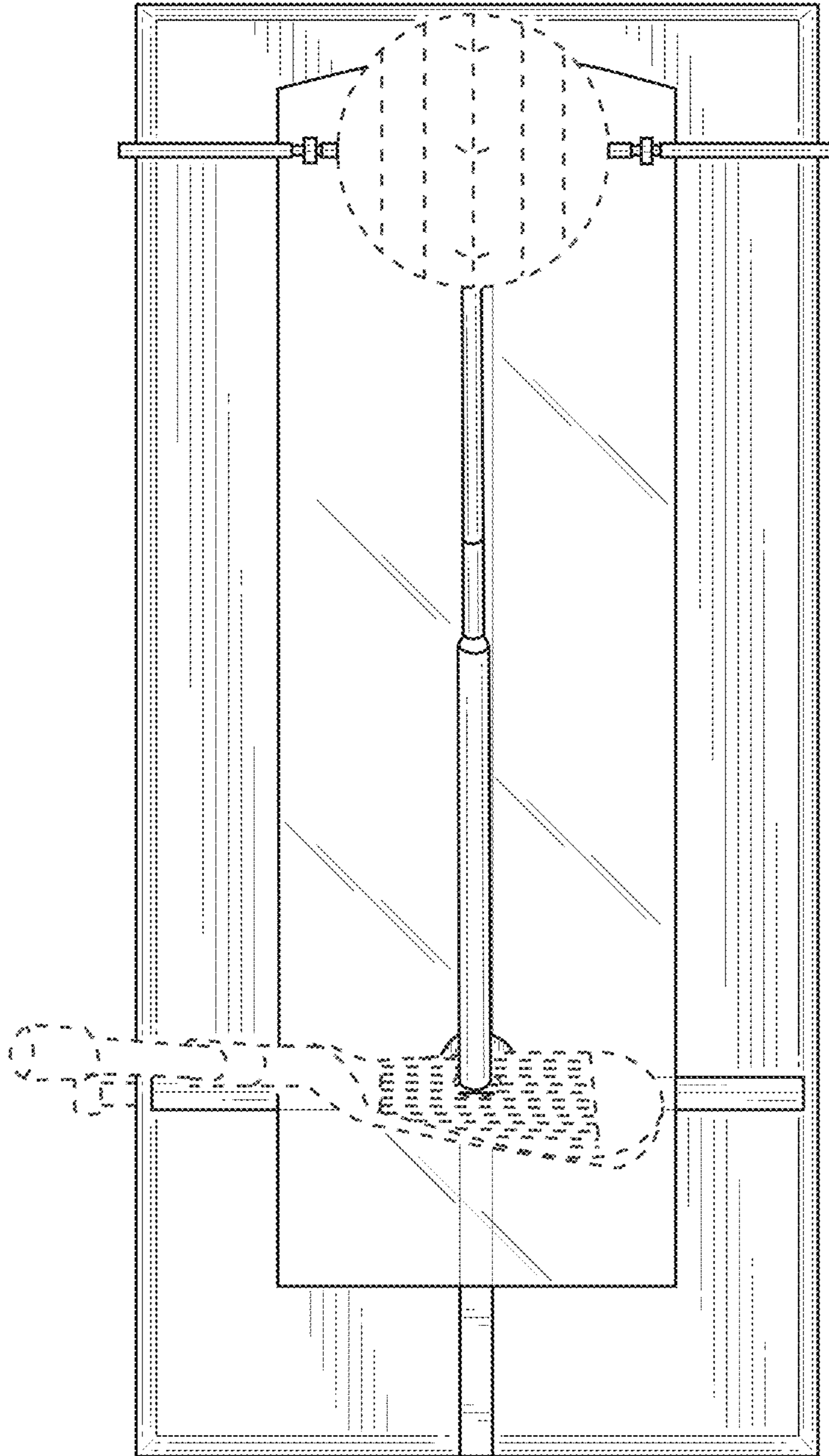
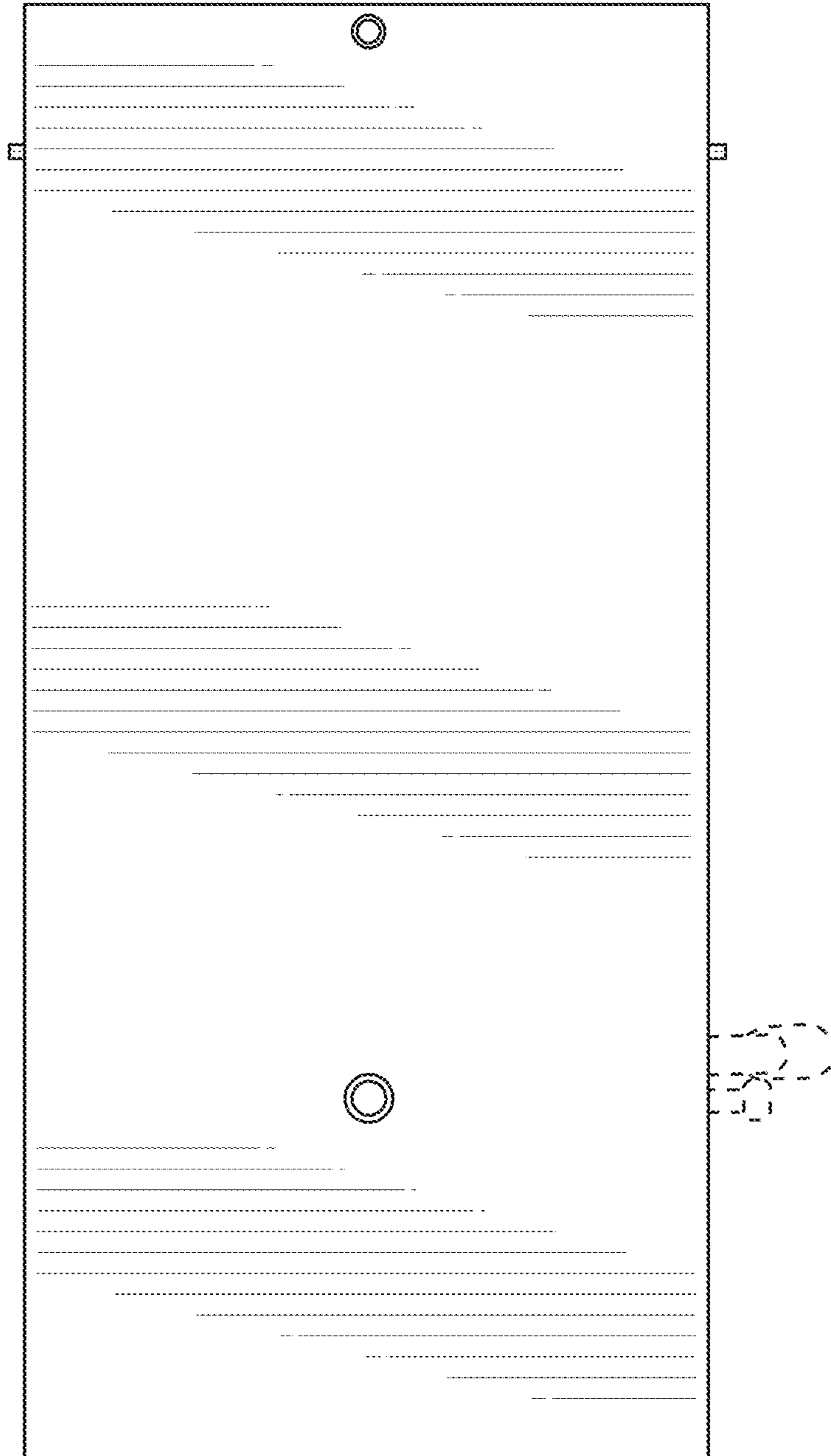
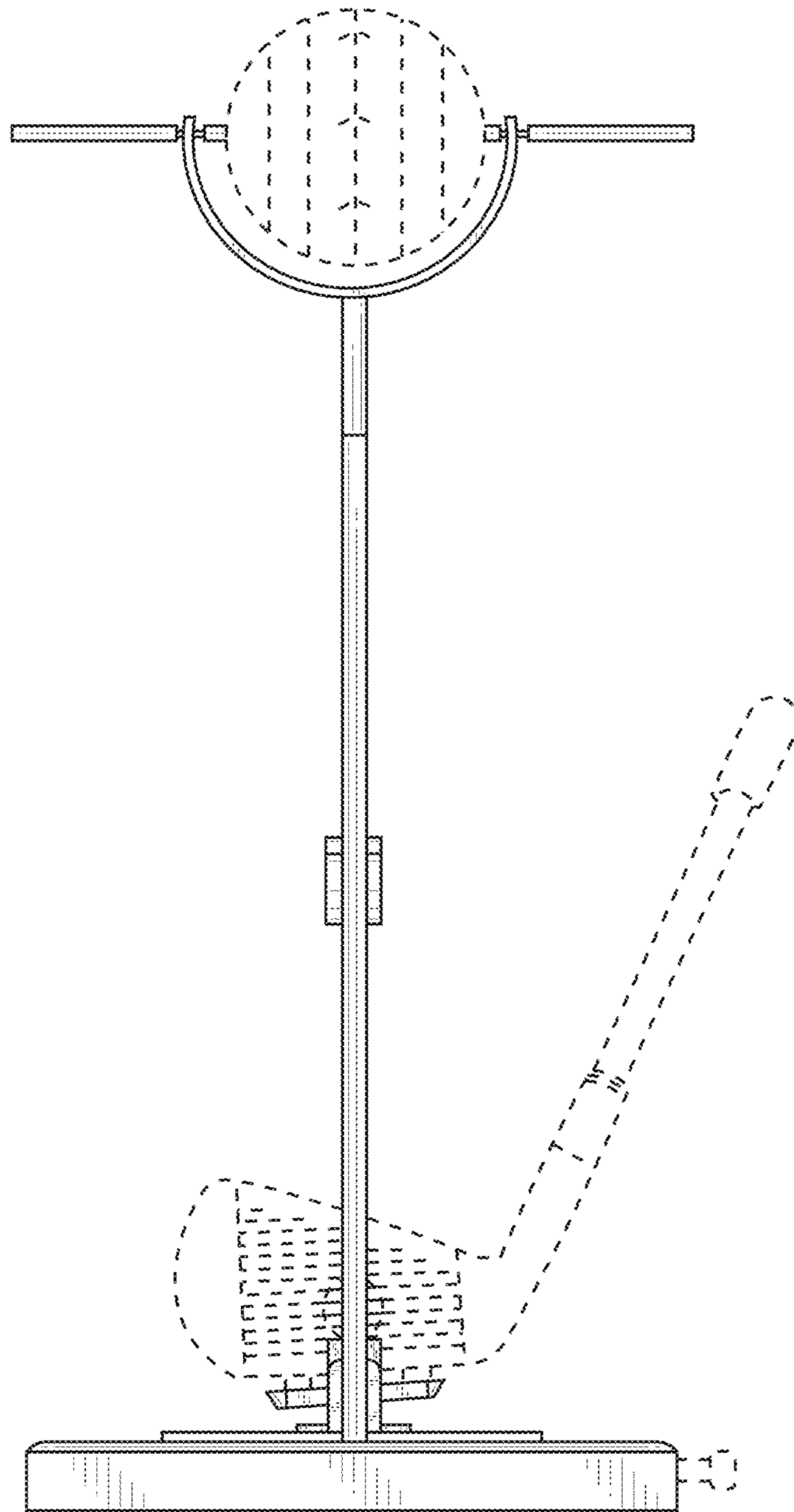


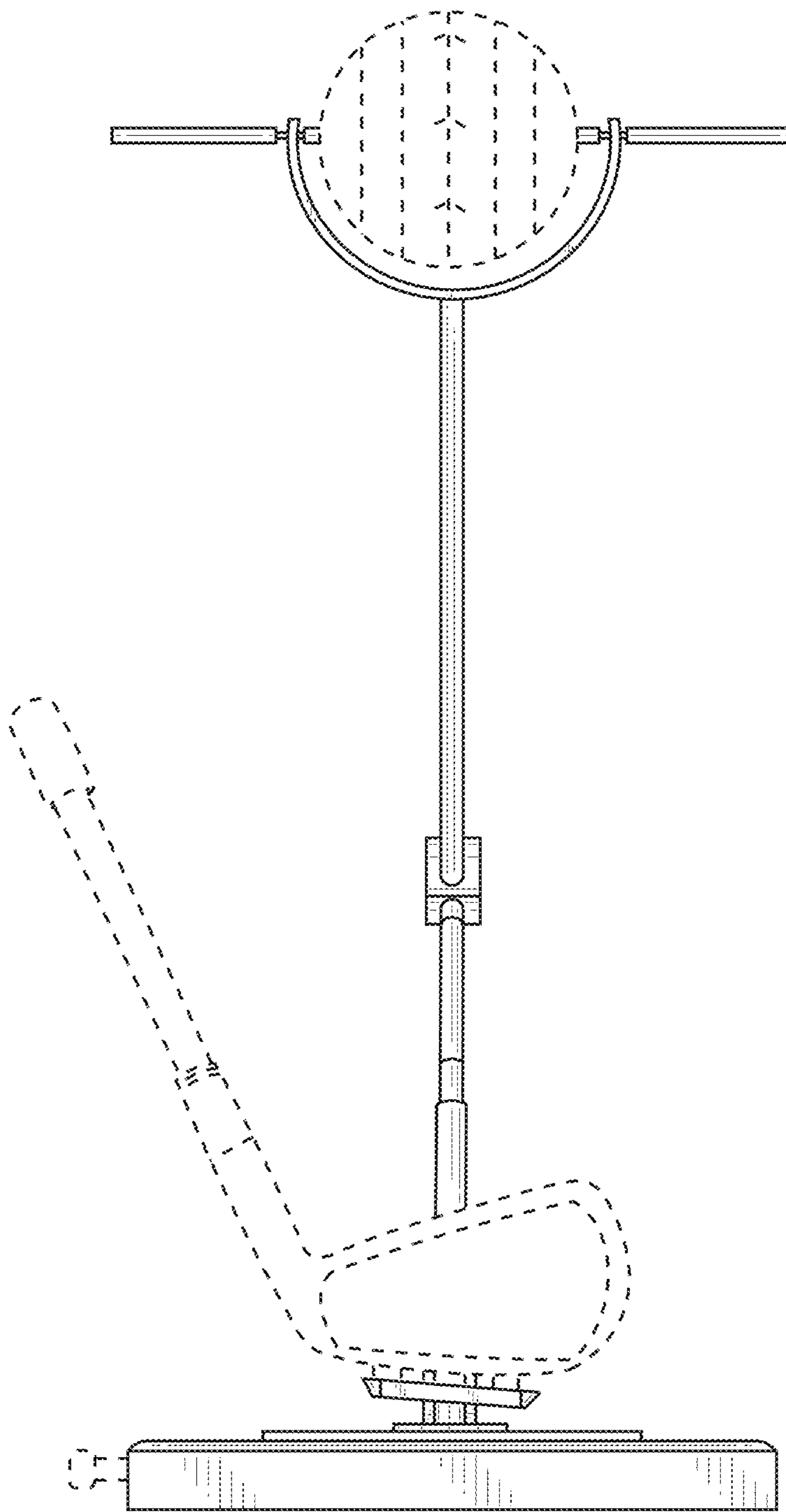
FIG. 3



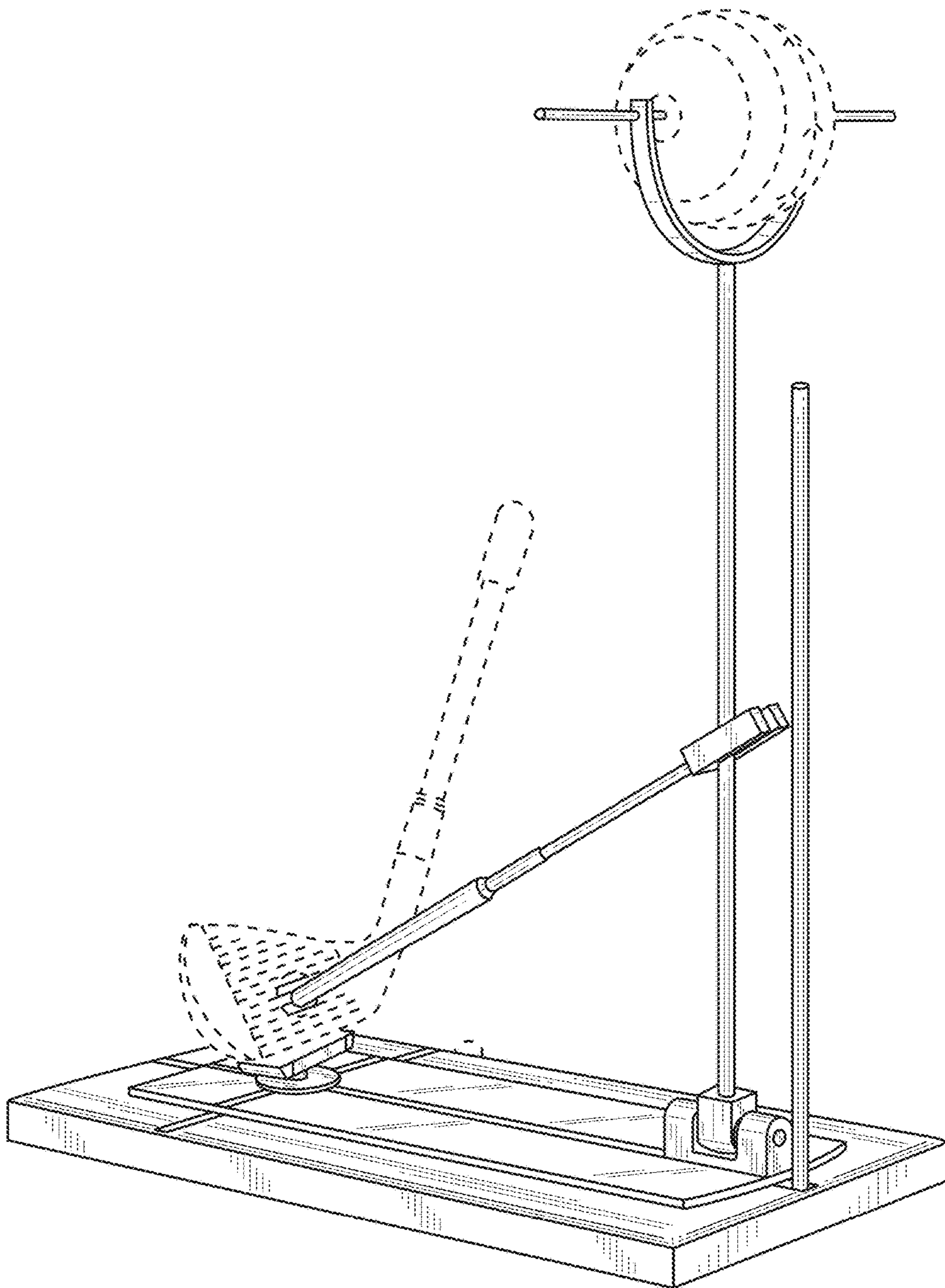
**FIG. 4**



**FIG. 5**

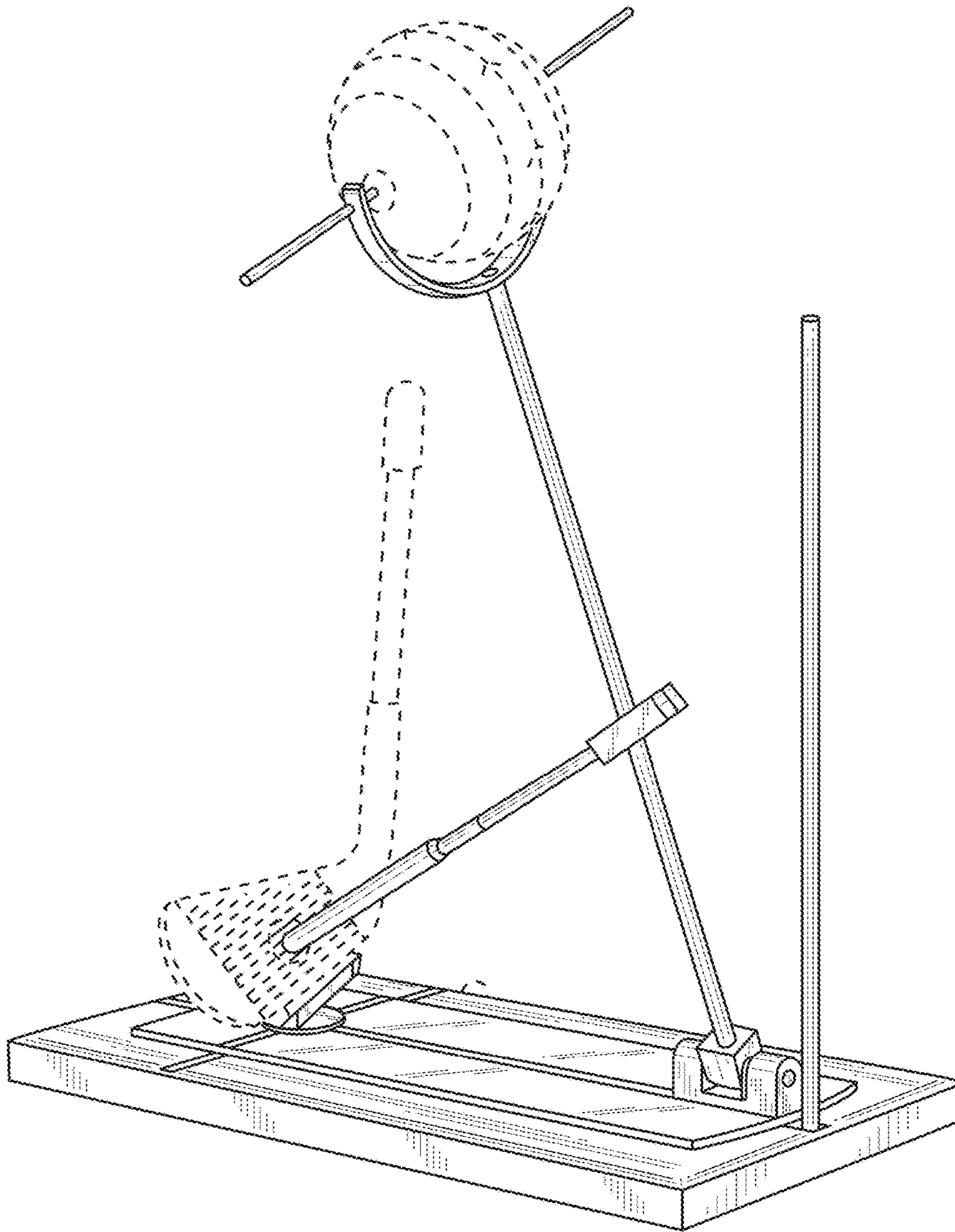


**FIG. 6**

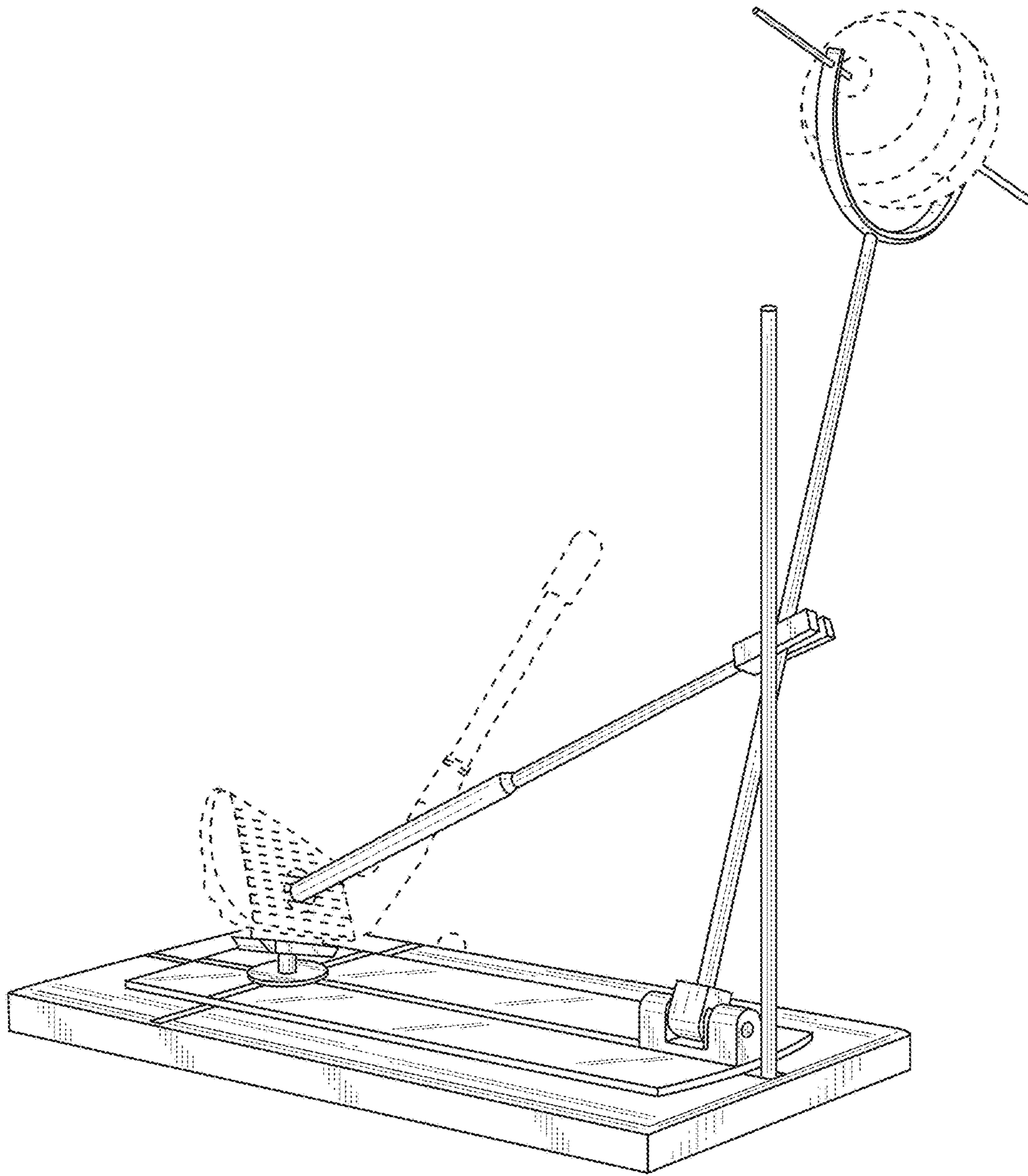


**FIG. 7**

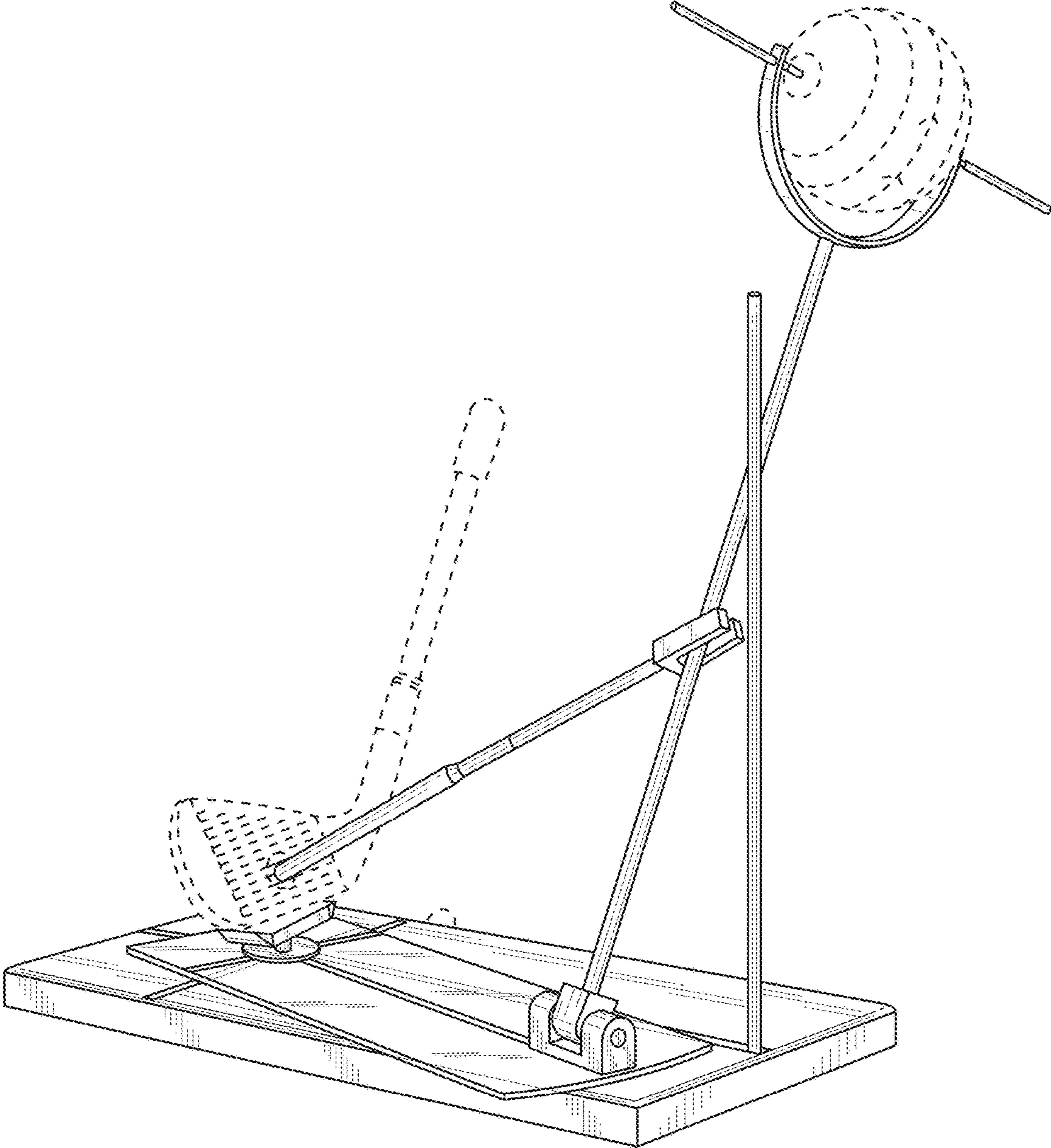




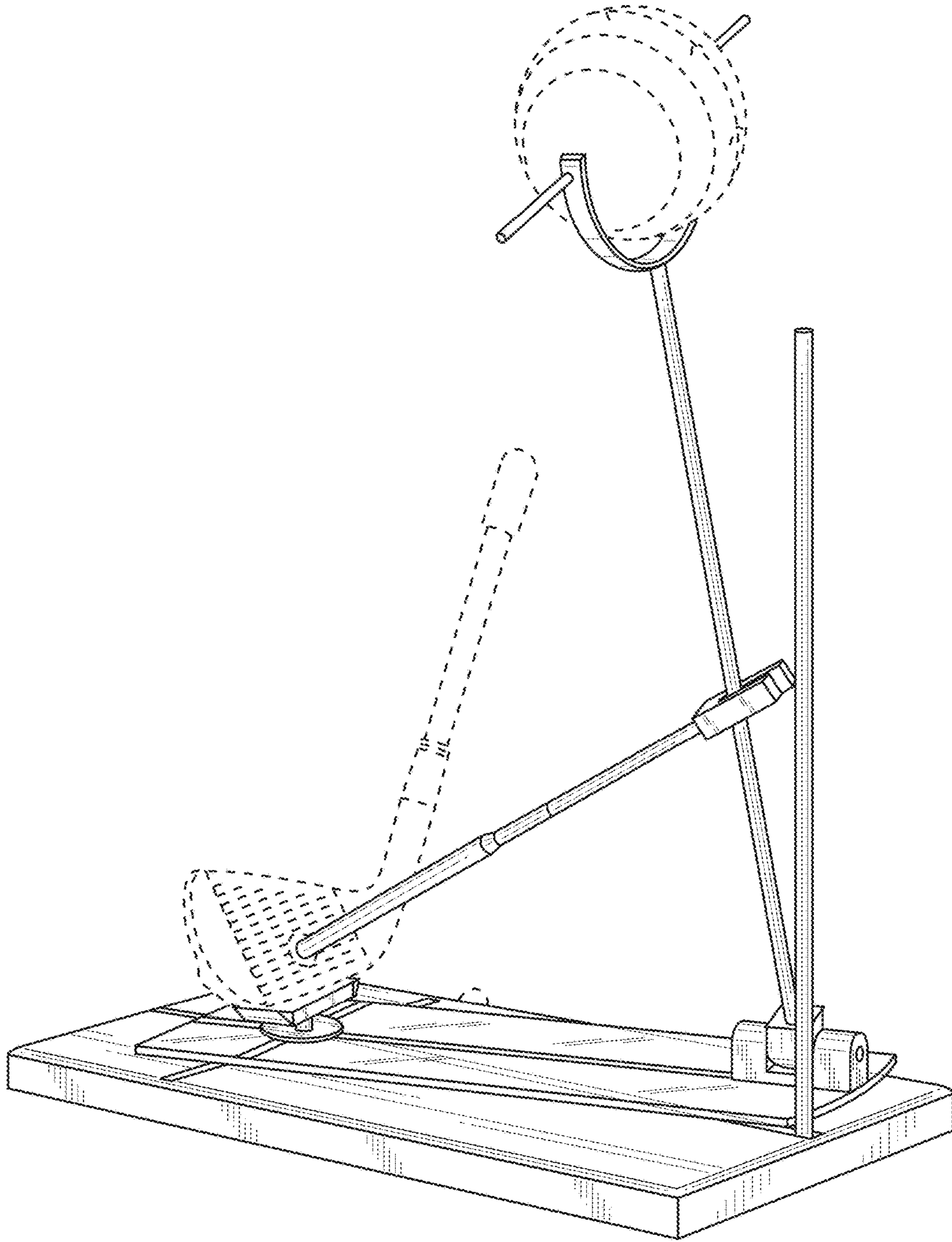
**FIG. 8**



**FIG. 9**



**FIG. 10**



**FIG. 11**