



US00D815707S

(12) **United States Design Patent**  
**Dolezel et al.**

(10) **Patent No.:** **US D815,707 S**  
(45) **Date of Patent:** **\*\* Apr. 17, 2018**

- (54) **GOLF CLUB HEAD**
- (71) Applicant: **DUNLOP SPORTS CO. LTD.**, Kobe, Hyogo (JP)
- (72) Inventors: **Keith Dolezel**, West Covina, CA (US);  
**Mika Becktor**, New York, NY (US);  
**Philip C Seagram**, Long Beach, CA (US)
- (73) Assignee: **DUNLOP SPORTS CO. LTD.**, Kobe (JP)

D647,988 S *	11/2011	Nunez .....	D21/747
D691,684 S *	10/2013	Cyrulik .....	D21/759
8,657,700 B2 *	2/2014	Nicolette .....	A63B 53/047 473/290
D702,786 S *	4/2014	Engel .....	D21/759
D710,961 S *	8/2014	Foster .....	D21/759
D716,390 S *	10/2014	Wieland .....	D21/759
D730,466 S *	5/2015	Seagram .....	D21/759
D735,826 S *	8/2015	Seagram .....	D21/759
D736,875 S *	8/2015	Llewellyn .....	D21/759
D737,391 S *	8/2015	Wieland .....	D21/759
D767,695 S *	9/2016	Kitching, Jr. ....	D21/747
2012/0289360 A1 *	11/2012	Breier .....	A63B 53/047 473/335

(\*\*) Term: **15 Years**

\* cited by examiner

(21) Appl. No.: **29/581,309**

*Primary Examiner* — Mitchell I. Siegel

(22) Filed: **Oct. 18, 2016**

(74) *Attorney, Agent, or Firm* — Oliff PLC

(51) **LOC (11) Cl.** ..... **21-02**

(52) **U.S. Cl.**  
USPC ..... **D21/759**

(58) **Field of Classification Search**  
USPC ..... D21/747-751, 759  
CPC ..... A63B 53/00; A63B 53/04; A63B 53/047;  
A63B 53/0475; A63B 2053/0479; A63B  
2053/0483; A63B 2053/0445  
See application file for complete search history.

(57) **CLAIM**

The ornamental design for a golf club head, as shown and described.

(56) **References Cited**

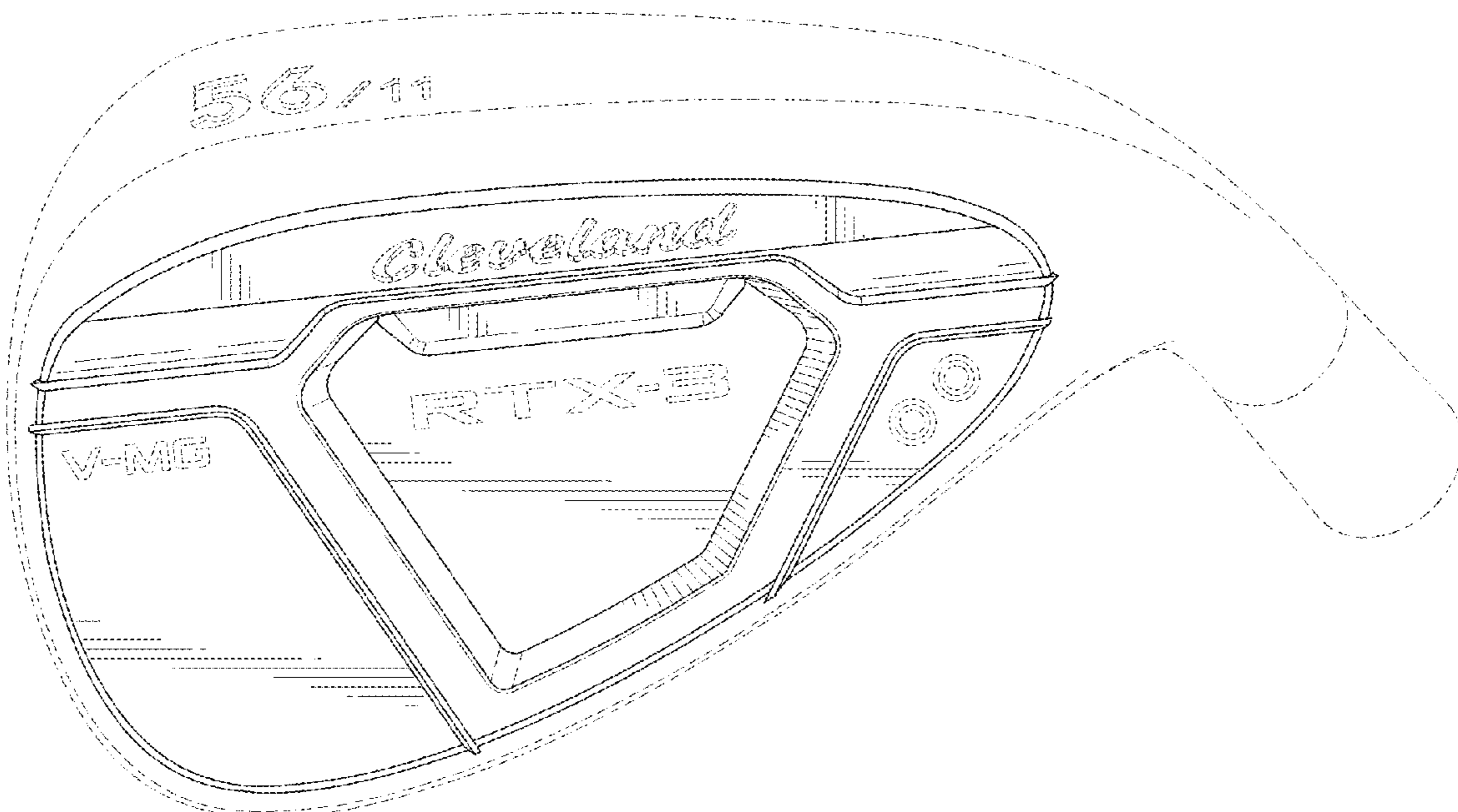
**DESCRIPTION**

U.S. PATENT DOCUMENTS

D379,485 S *	5/1997	Ragano .....	D21/749
D428,634 S *	7/2000	Nagai .....	D21/759
D428,635 S *	7/2000	Nagai .....	D21/759
D429,298 S *	8/2000	Butler .....	D21/747
D581,000 S *	11/2008	Nicolette .....	D21/749
D621,893 S *	8/2010	Nicolette .....	D21/759
D641,446 S *	7/2011	Engel .....	D21/759

FIG. 1 is a front, top perspective view of the golf club head; FIG. 2 is a rear, bottom perspective view thereof; and FIG. 3 is a top plan view thereof; FIG. 4 is a bottom plan view thereof; FIG. 5 is a toe-side elevational view thereof; FIG. 6 is a heel-side elevational view thereof; FIG. 7 is a rear elevational view thereof; and, FIG. 8 is a rear, bottom, heel-side perspective view thereof. The broken lines depict unclaimed portions of the golf club head, and thus form no part of the claimed design. The dot-dash chain lines depict boundaries of the claimed subject matter and thus form no part of the claimed design.

**1 Claim, 7 Drawing Sheets**



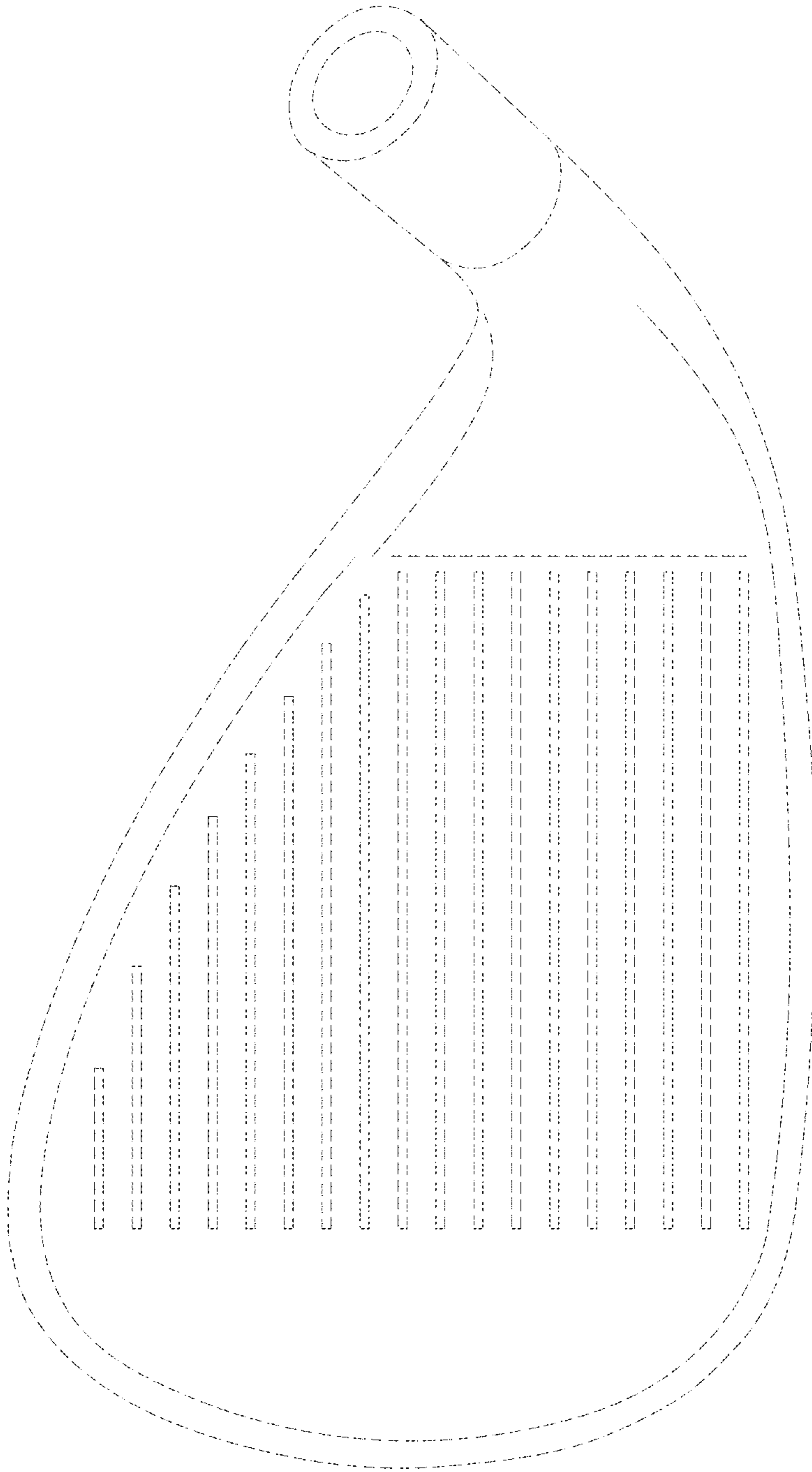


FIG. 1

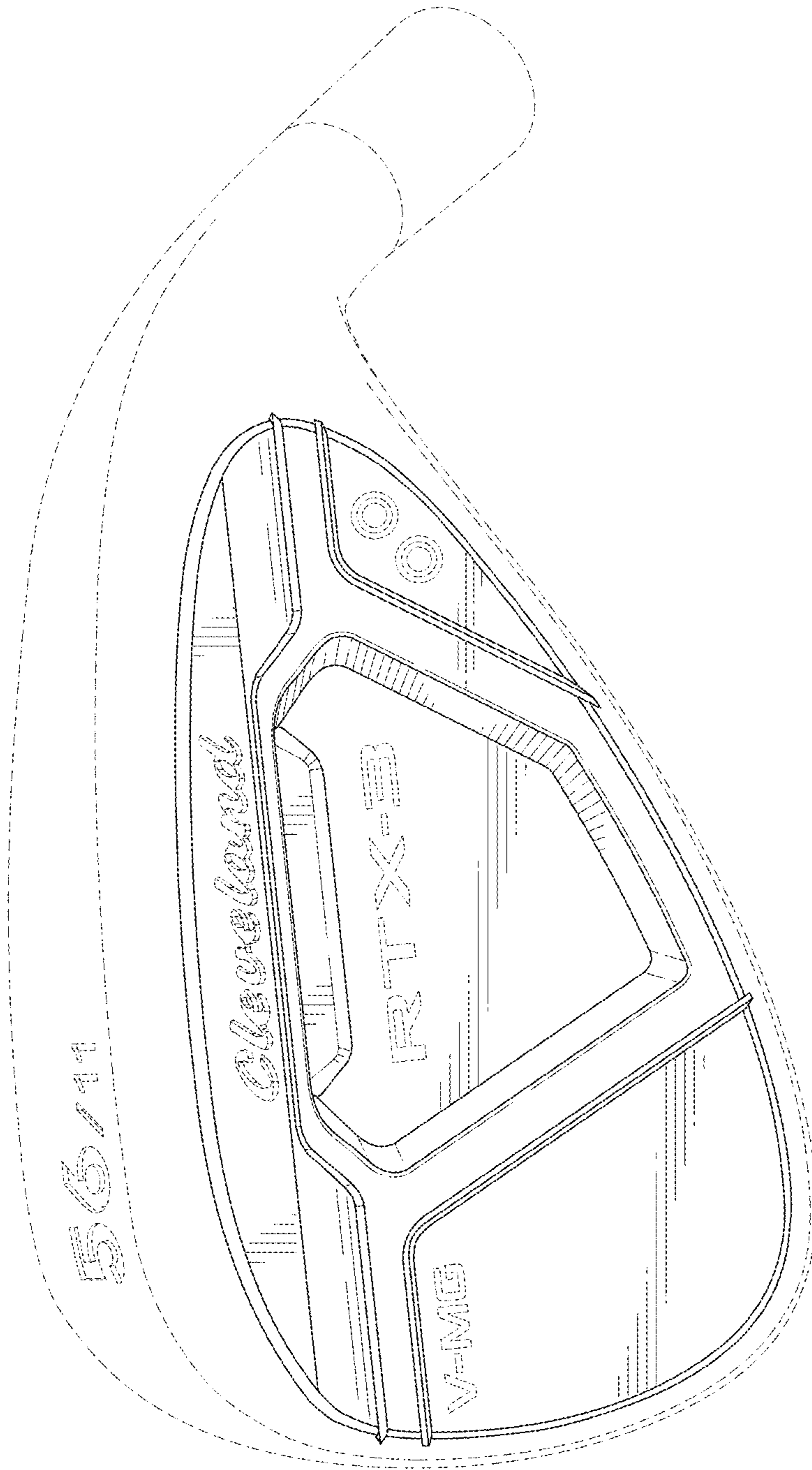


FIG. 2

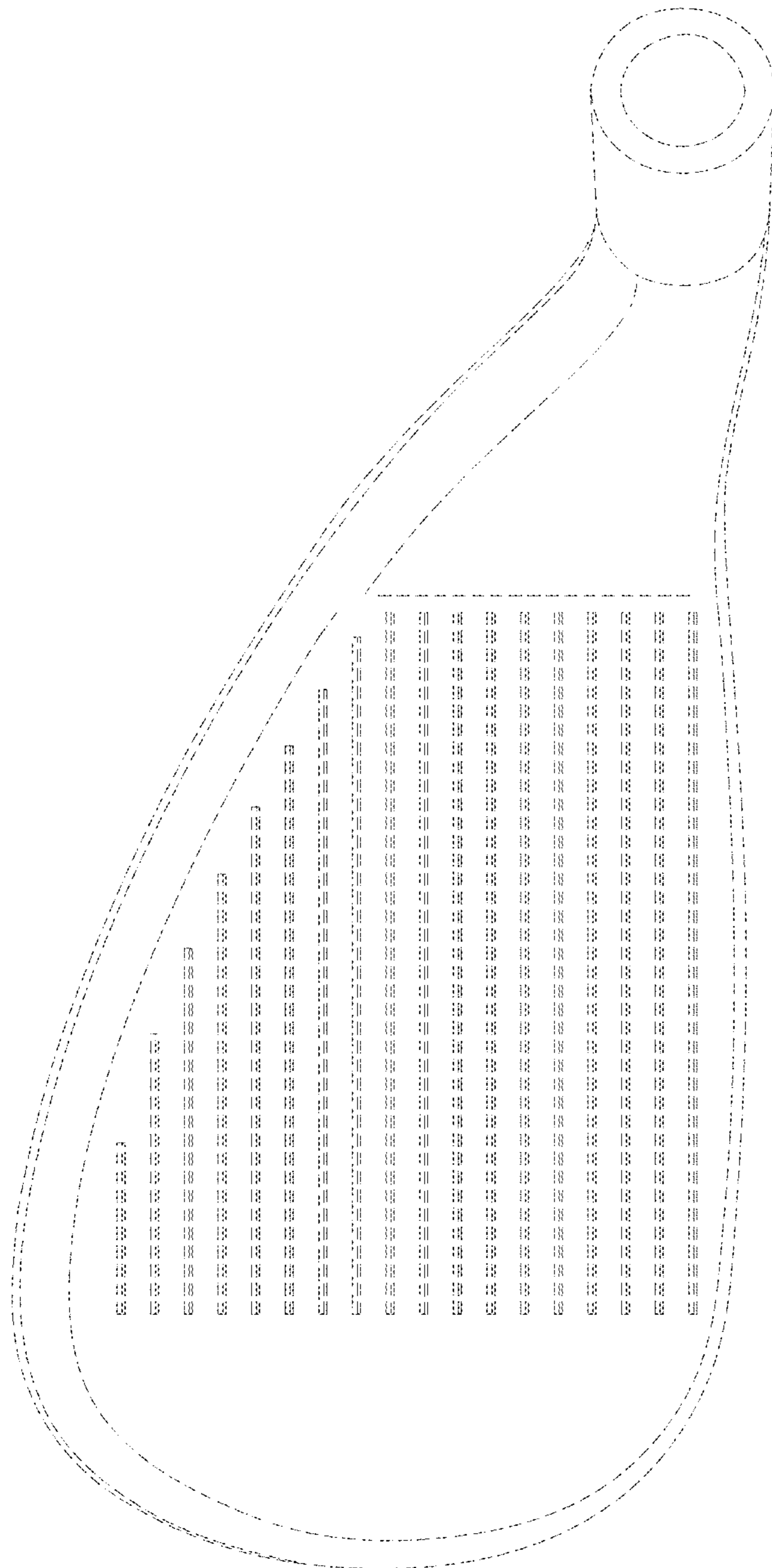


FIG. 3

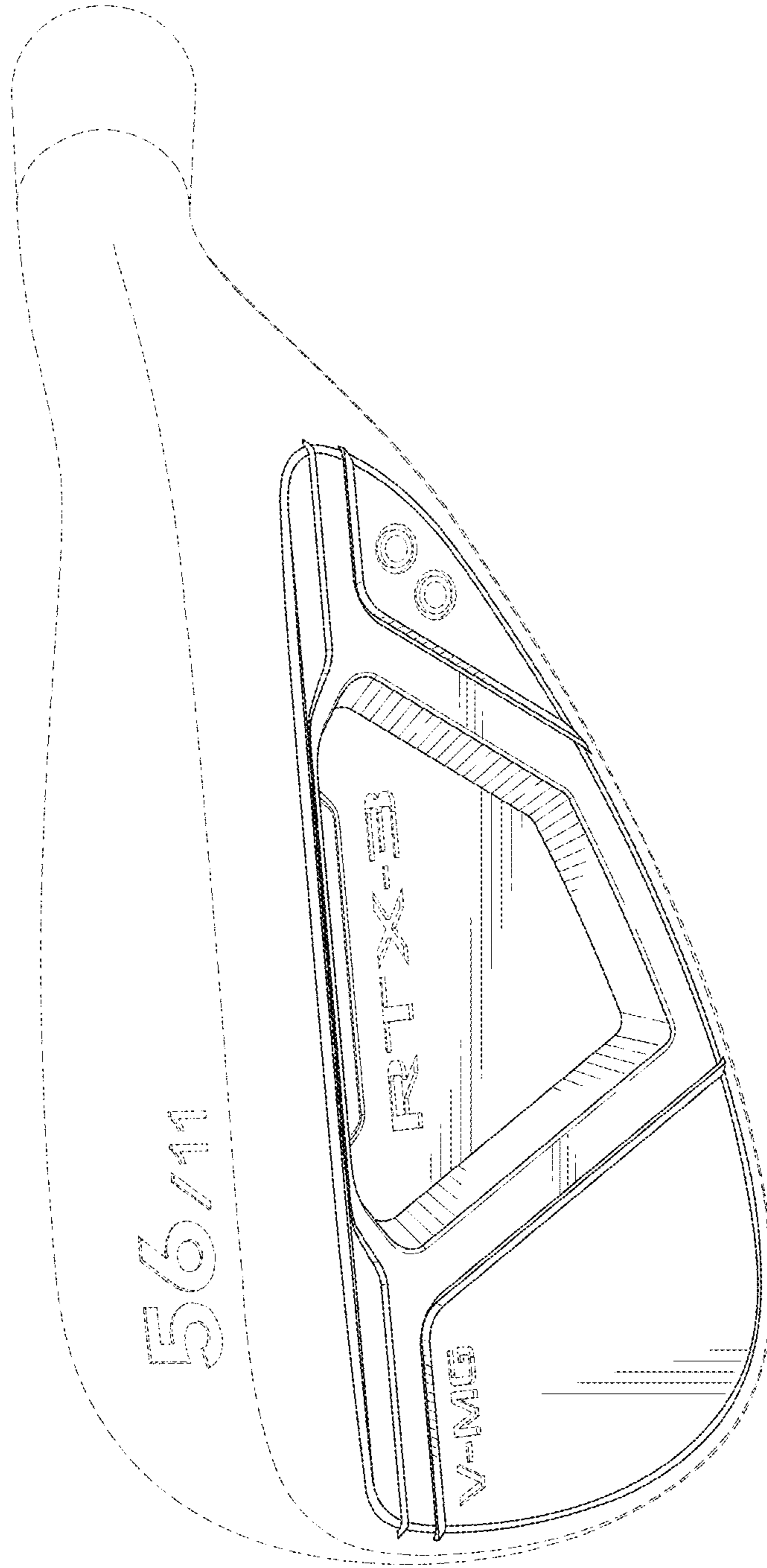


FIG. 4

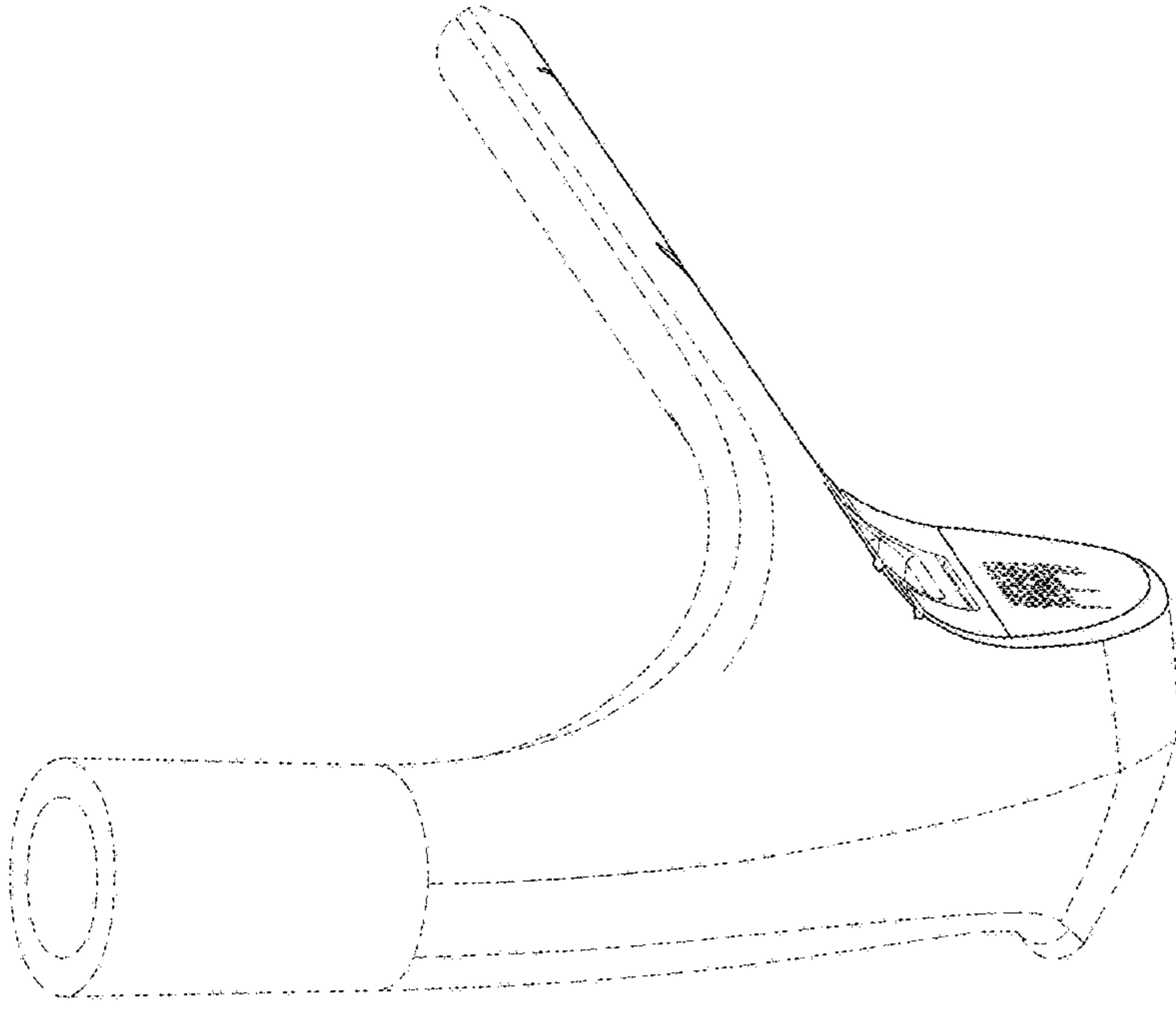


FIG. 5

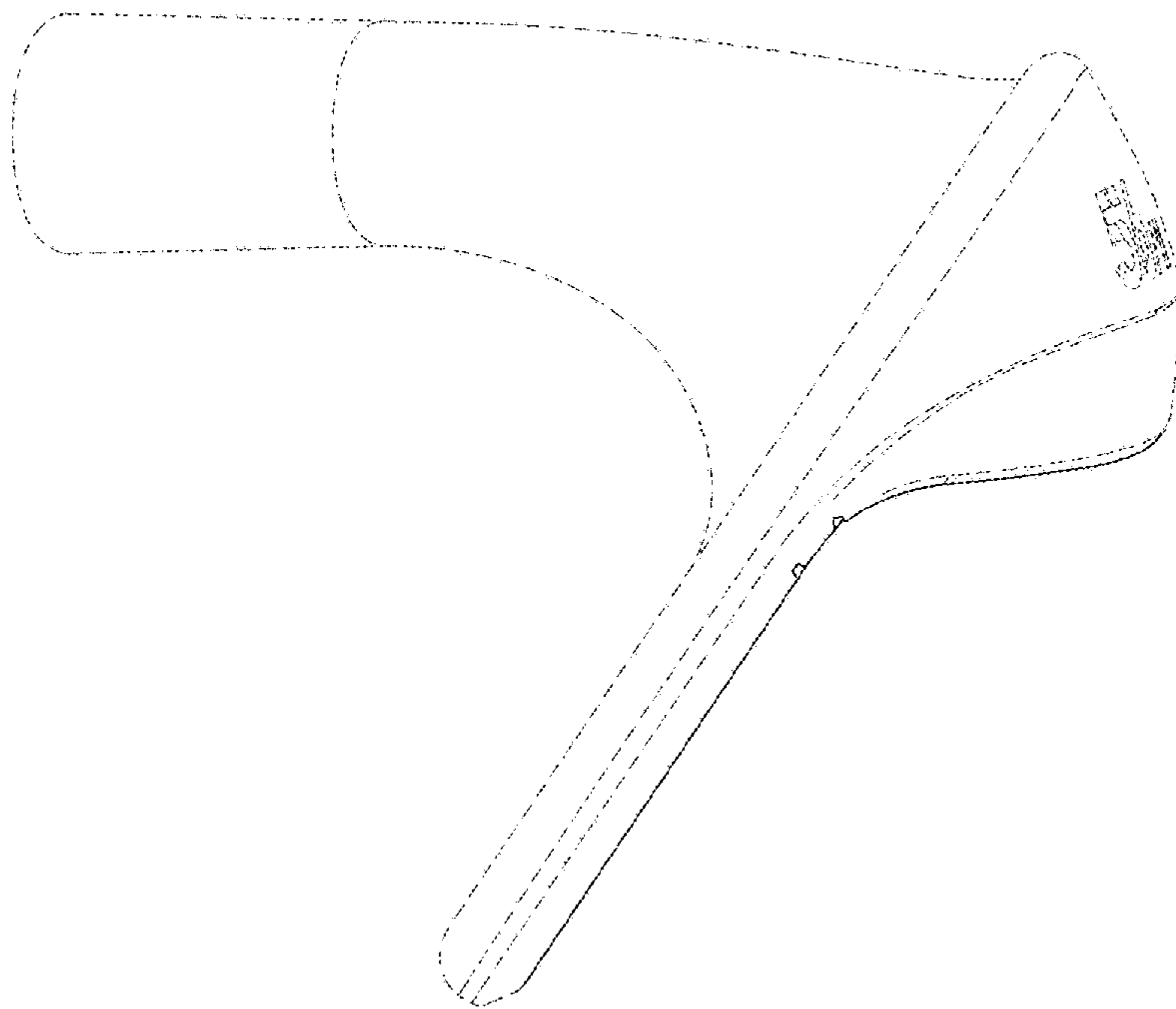


FIG. 6

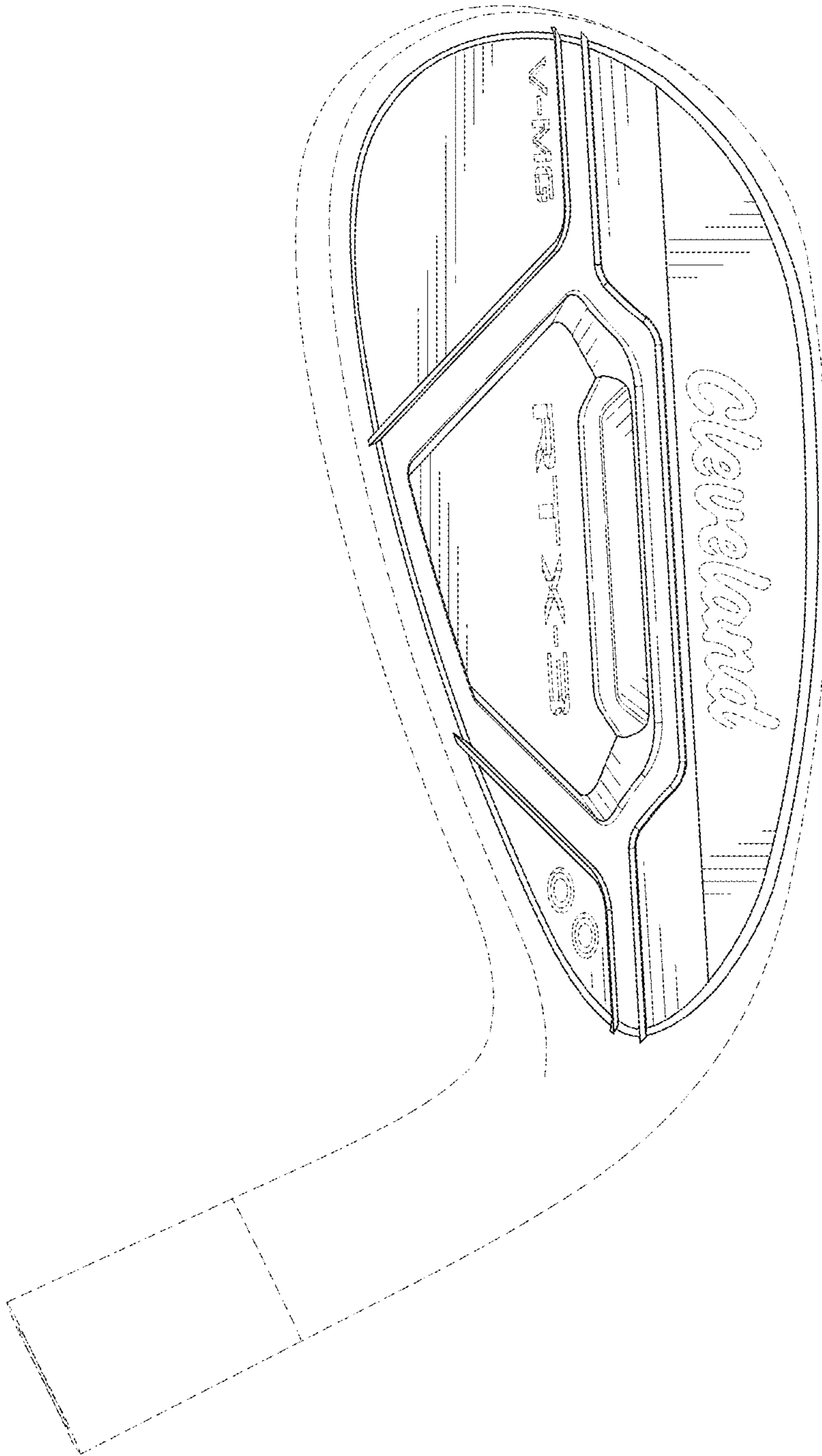


FIG. 7

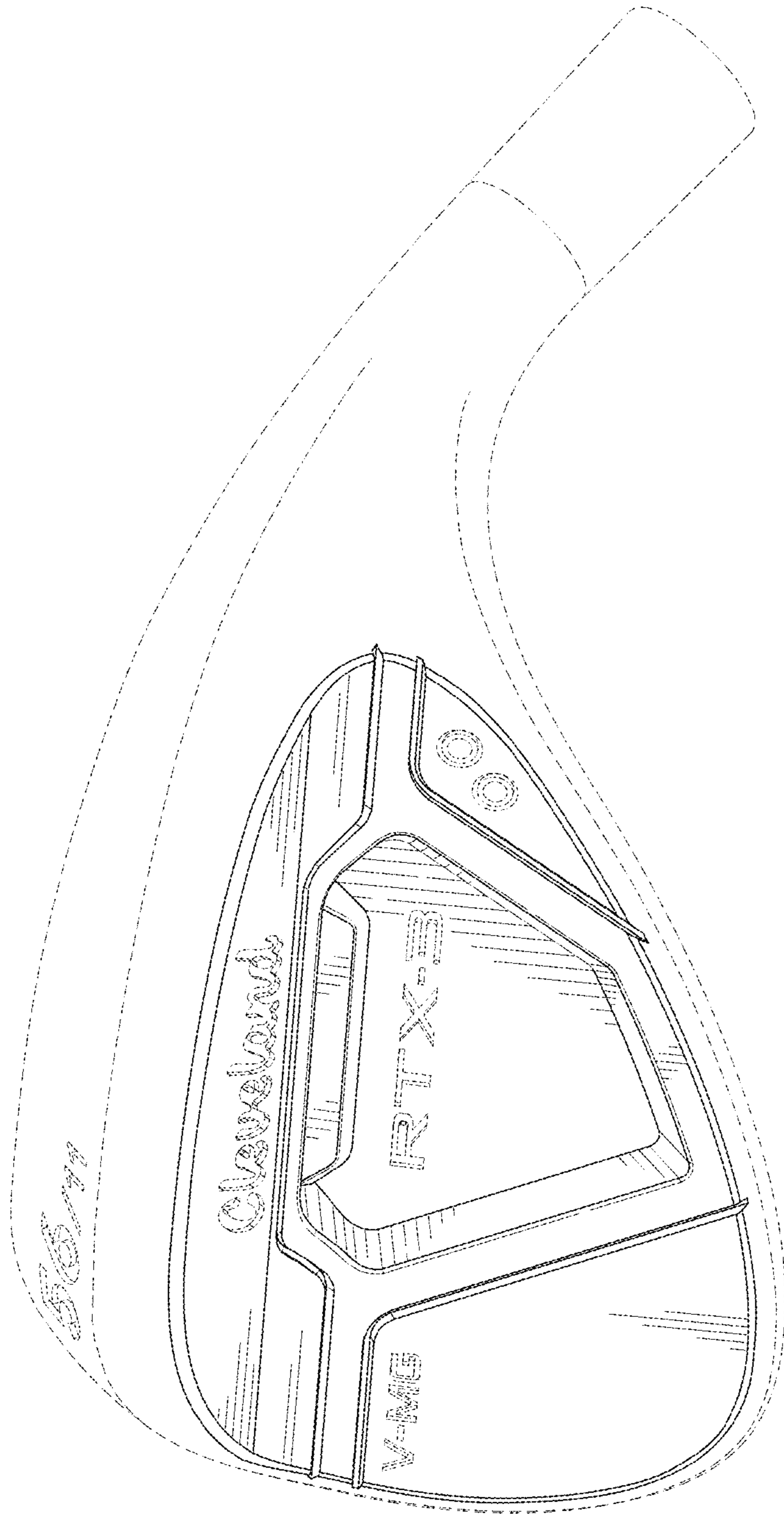


FIG. 8