



US00D815702S

(12) **United States Design Patent**  
**Gettle**

(10) **Patent No.:** **US D815,702 S**  
(45) **Date of Patent:** **\*\* Apr. 17, 2018**

(54) **MEDIA HOLDER FOR AN EXERCISE MACHINE**

**DESCRIPTION**

- (71) Applicant: **Nautilus, Inc.**, Vancouver, WA (US)
- (72) Inventor: **Jeffrey A. Gettle**, Portland, OR (US)
- (73) Assignee: **NAUTILUS, INC.**, Vancouver, WA (US)
- (\*\*) Term: **15 Years**
- (21) Appl. No.: **29/575,240**
- (22) Filed: **Aug. 23, 2016**
- (51) **LOC (11) Cl.** ..... **21-02**
- (52) **U.S. Cl.**  
USPC ..... **D21/694**
- (58) **Field of Classification Search**  
USPC ..... 248/339, 302, 303, 340, 175; 482/104,  
482/105, 106, 108, 109, 94, 142, 93, 139,  
(Continued)

FIG. 1 shows an isometric view of a media holder for an exercise machine according to a first embodiment. FIG. 2 shows a front view of the media holder for an exercise machine in FIG. 1. FIG. 3 shows a right side of the media holder for an exercise machine in FIG. 1. FIG. 4 shows a left side of the media holder for an exercise machine in FIG. 1. FIG. 5 shows a top view of the media holder for an exercise machine in FIG. 1. FIG. 6 shows a bottom view of the media holder for an exercise machine in FIG. 1. FIG. 7 shows a back view of the media holder for an exercise machine in FIG. 1. FIG. 8 shows an isometric view of the media holder for an exercise machine according to a second embodiment. FIG. 9 shows a front view of the media holder for an exercise machine in FIG. 8. FIG. 10 shows a right side of the media holder for an exercise machine in FIG. 8. FIG. 11 shows a left side of the media holder for an exercise machine in FIG. 8. FIG. 12 shows a top view of the media holder for an exercise machine in FIG. 8. FIG. 13 shows a bottom view of the media holder for an exercise machine in FIG. 8. FIG. 14 shows an isometric view of the media holder for an exercise machine according to a third embodiment. FIG. 15 shows a front view of the media holder for an exercise machine in FIG. 14. FIG. 16 shows a right side of the media holder for an exercise machine in FIG. 14. FIG. 17 shows a left side of the media holder for an exercise machine in FIG. 14. FIG. 18 shows a top view of the media holder for an exercise machine in FIG. 14. FIG. 19 shows a bottom view of the media holder for an exercise machine in FIG. 14; and, FIG. 20 shows a back view of the media holder for an exercise machine in FIG. 14. The broken line showing of portions of the media holder for an exercise machine depicts environment and forms no part of the claim.

(56) **References Cited**

**U.S. PATENT DOCUMENTS**

- 4,039,183 A \* 8/1977 Sakurada ..... A63B 23/14  
482/127
- 4,231,569 A \* 11/1980 Rae ..... A63B 23/1281  
482/108

(Continued)

**OTHER PUBLICATIONS**

HVT by Bowflex dated no date given. Found online [Nov. 9, 2017]. <http://www.bowflex.com/hvt/hybrid-velocity-training-plus/100738.html>.\*

*Primary Examiner* — Robert M. Spear

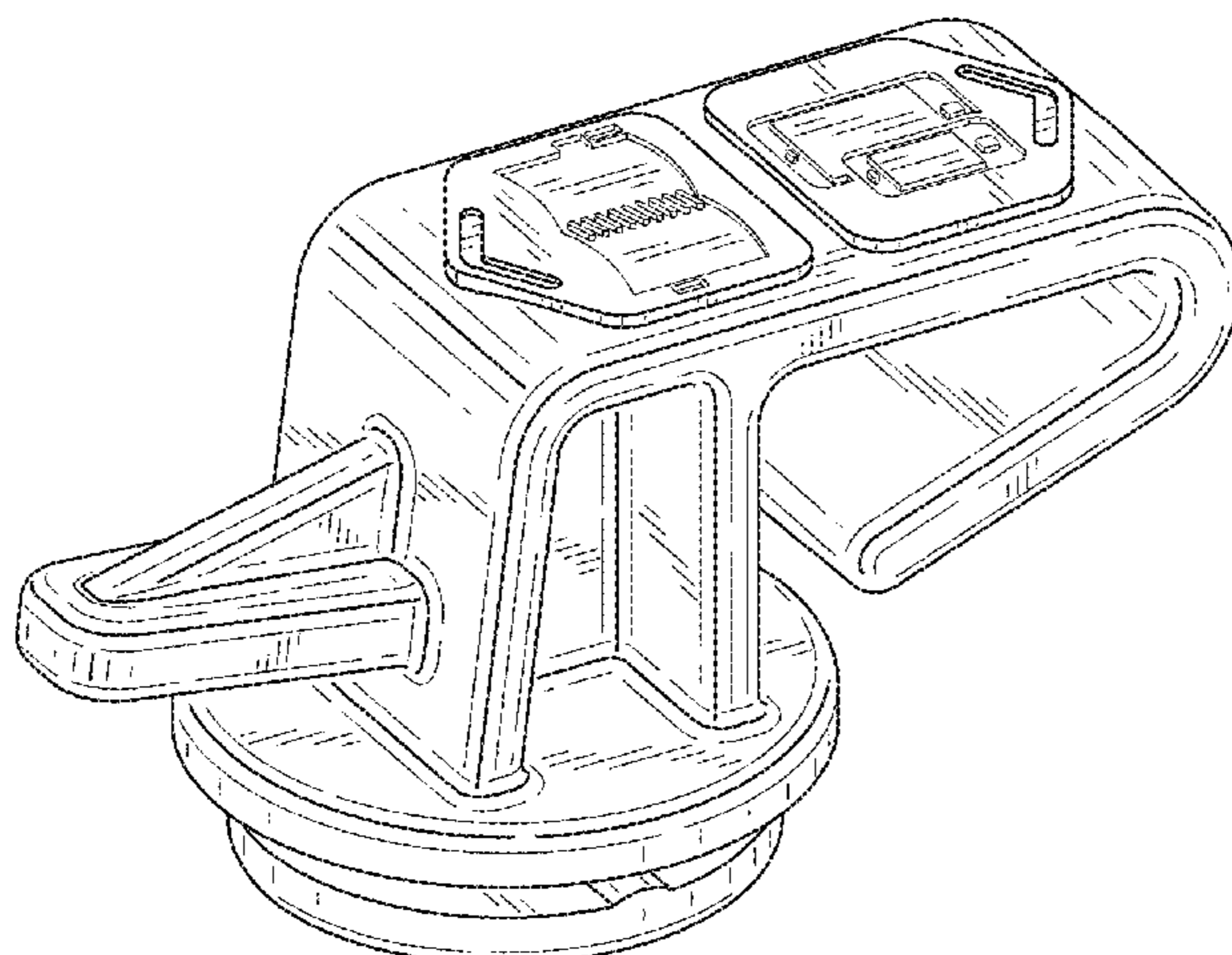
*Assistant Examiner* — Ryan Harvey

(74) *Attorney, Agent, or Firm* — Dorsey & Whitney LLP

(57) **CLAIM**

I claim the ornamental design for a media holder for an exercise machine, as shown and described.

**1 Claim, 14 Drawing Sheets**



# US D815,702 S

(58) **Field of Classification Search**

USPC ..... 482/127, 50, 92, 40, 96, 46; 224/268,  
224/267, 247, 575, 605, 615, 666, 922;  
D6/552; D21/690, 686, 694; D29/120.1  
CPC ..... A63B 21/0783; A63B 21/4029; A63B  
21/00181; A63B 21/0724; A63B 21/0726;  
A63B 21/072; A63B 71/0036; A63B  
71/0054

See application file for complete search history.

(56) **References Cited**

U.S. PATENT DOCUMENTS

4,607,840 A \* 8/1986 Harper ..... A63B 21/072  
482/108  
4,684,122 A \* 8/1987 Desmond ..... A63B 71/00  
482/105  
5,100,126 A \* 3/1992 Liou ..... A63B 23/14  
482/124  
5,110,119 A \* 5/1992 Arnold ..... A63B 21/4017  
482/108  
5,350,345 A \* 9/1994 Frey ..... A63B 21/072  
482/105  
5,411,459 A \* 5/1995 Hayden ..... A63B 21/078  
482/104  
5,472,397 A \* 12/1995 Ammoscato ..... A63B 21/078  
482/104  
5,509,876 A \* 4/1996 Reyes ..... A63B 21/078  
482/104  
5,571,228 A \* 11/1996 McMurtrie ..... A01K 97/10  
224/247  
5,573,484 A \* 11/1996 Carpenter ..... A63B 21/00181  
482/108  
5,616,108 A \* 4/1997 Hayden ..... A63B 21/078  
482/104  
D379,678 S \* 6/1997 Rosado ..... D29/120.1  
5,651,758 A \* 7/1997 Cervantes ..... A63B 21/078  
482/108

5,924,964 A \* 7/1999 Hayden ..... A63B 21/4029  
482/104  
D415,223 S \* 10/1999 Gay ..... D21/686  
5,971,339 A \* 10/1999 Falasco, Jr. .... A63B 21/4017  
248/175  
5,971,898 A \* 10/1999 Schoolfield ..... A63B 21/4029  
482/104  
6,001,049 A \* 12/1999 Frey ..... A63B 21/0603  
482/105  
D441,813 S \* 5/2001 Ceppo ..... 482/104  
7,008,355 B2 \* 3/2006 Emick ..... A63B 21/4001  
2/16  
D578,173 S \* 10/2008 James ..... D21/686  
7,566,292 B1 \* 7/2009 Hauser ..... A63B 1/00  
16/422  
7,678,030 B2 \* 3/2010 Savage ..... A63B 71/0036  
482/104  
7,837,641 B2 \* 11/2010 Hoffman ..... A61F 5/05866  
602/20  
7,942,839 B2 \* 5/2011 Cohen ..... A61F 5/013  
482/109  
7,946,967 B2 \* 5/2011 Berhanu ..... A63B 21/072  
482/109  
7,963,891 B1 \* 6/2011 Zeaman ..... A63B 21/4019  
482/104  
8,888,152 B1 \* 11/2014 Coakley ..... B25B 9/00  
224/267  
D721,518 S \* 1/2015 Cohen ..... D6/552  
9,211,436 B1 \* 12/2015 Torres ..... A63B 21/072  
D755,909 S \* 5/2016 James ..... D21/686  
9,403,051 B2 8/2016 Cutler  
2005/0009671 A1 \* 1/2005 Hummer, Jr. .... A63B 21/078  
482/94  
2006/0003872 A1 1/2006 Chiles  
2016/0008651 A1 \* 1/2016 MacInnis ..... A63B 21/062  
482/99  
2016/0263461 A1 \* 9/2016 Kay ..... A63B 21/153

\* cited by examiner

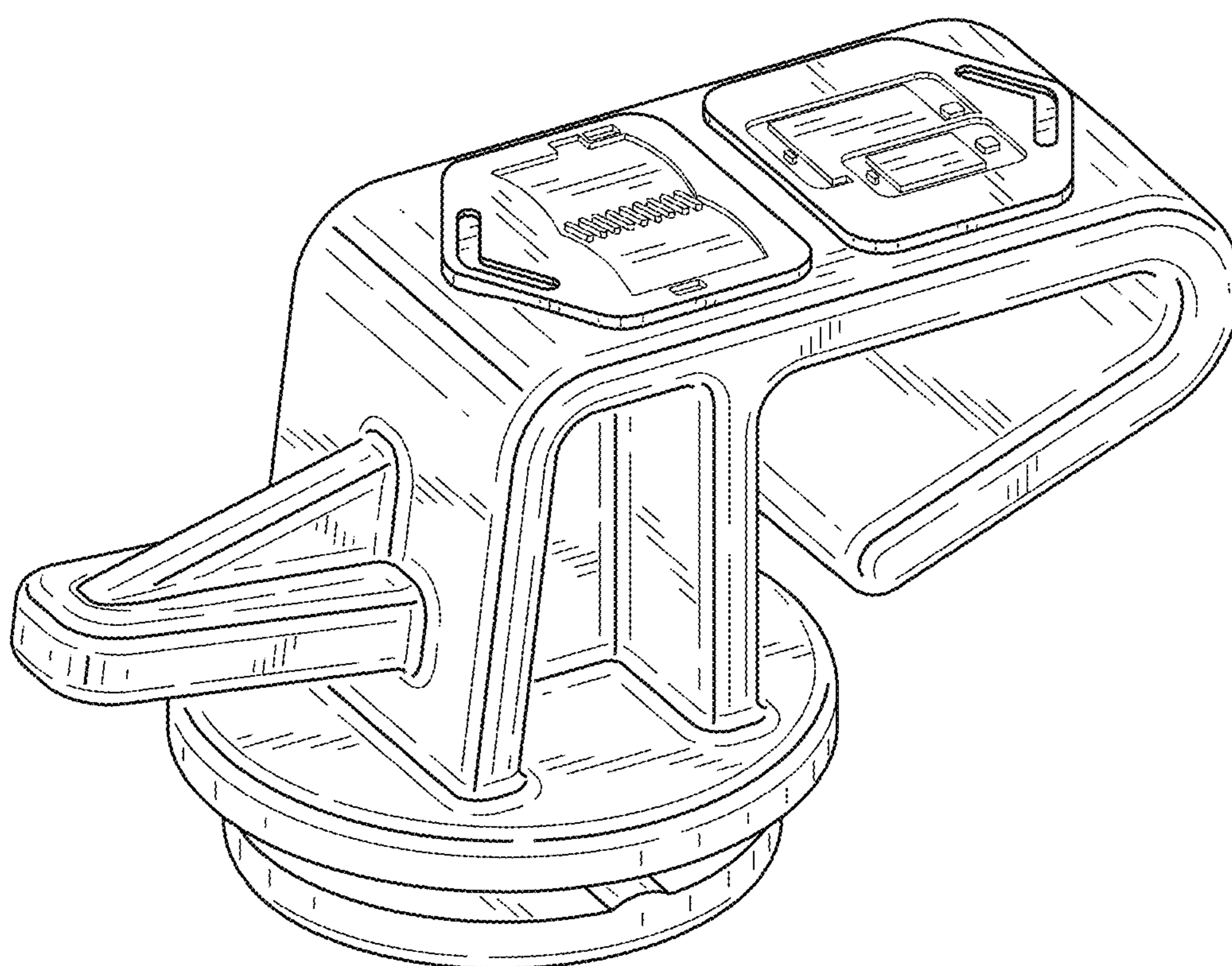


FIG. 1

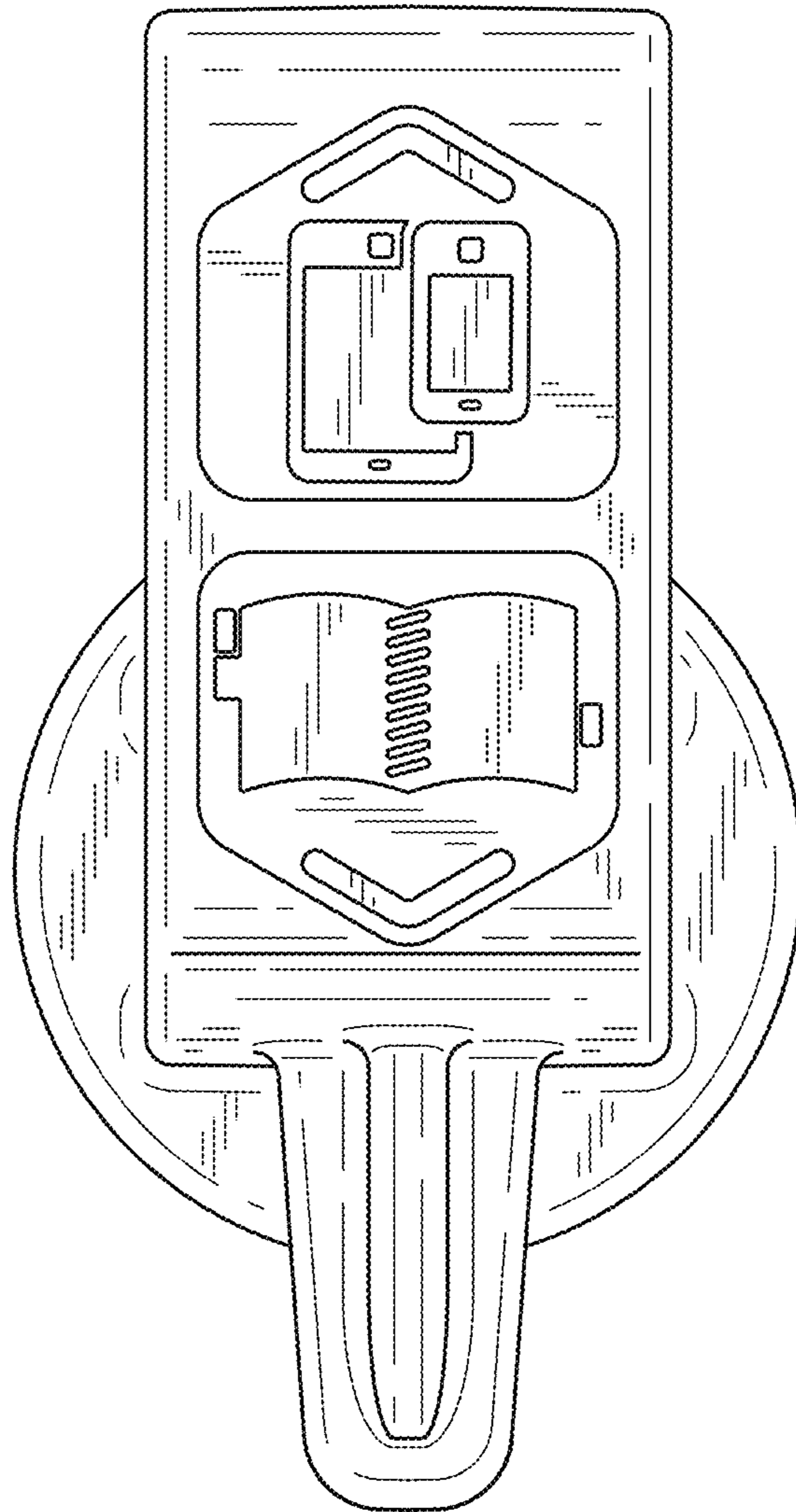


FIG. 2

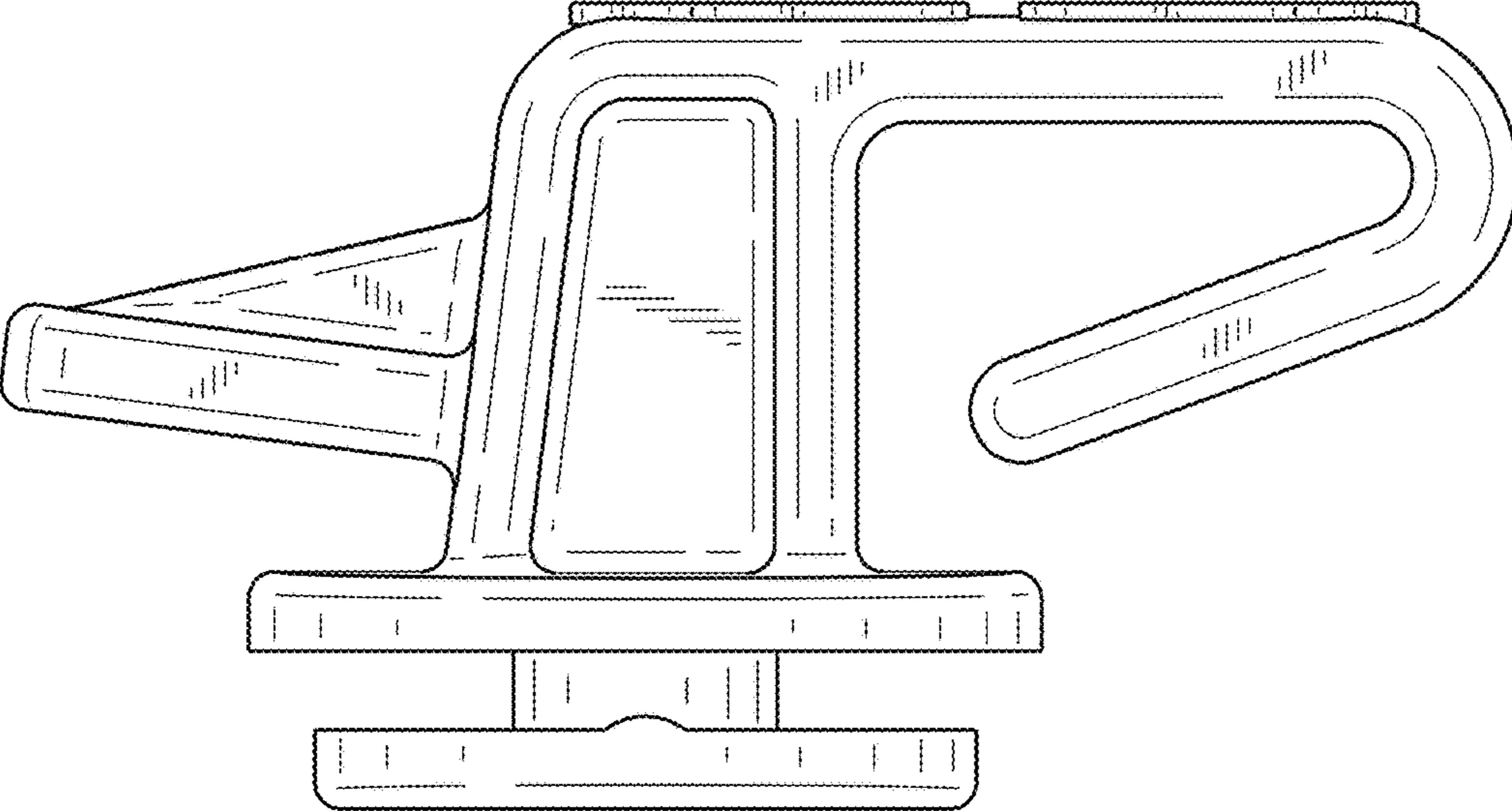


FIG. 3

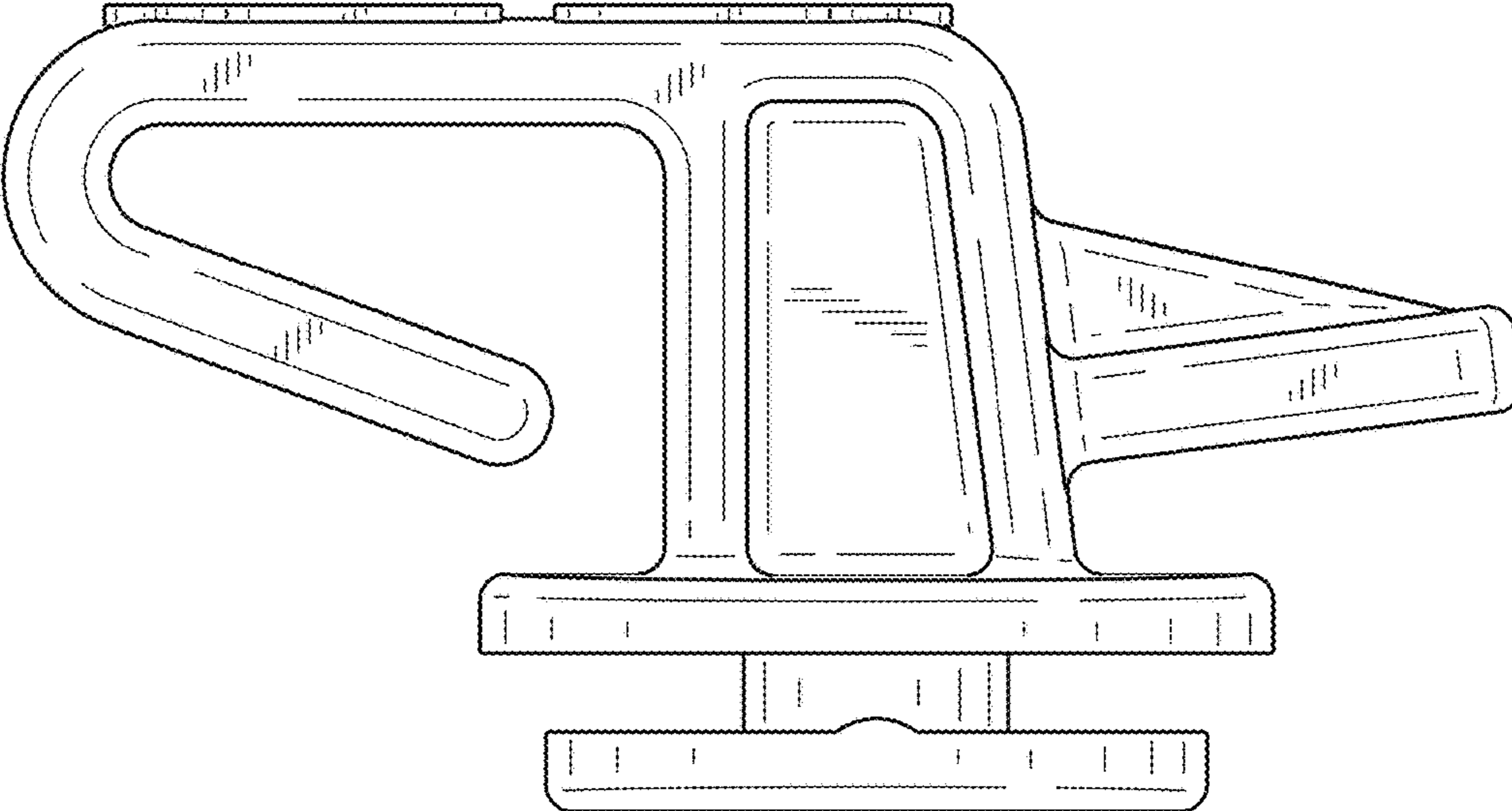


FIG. 4

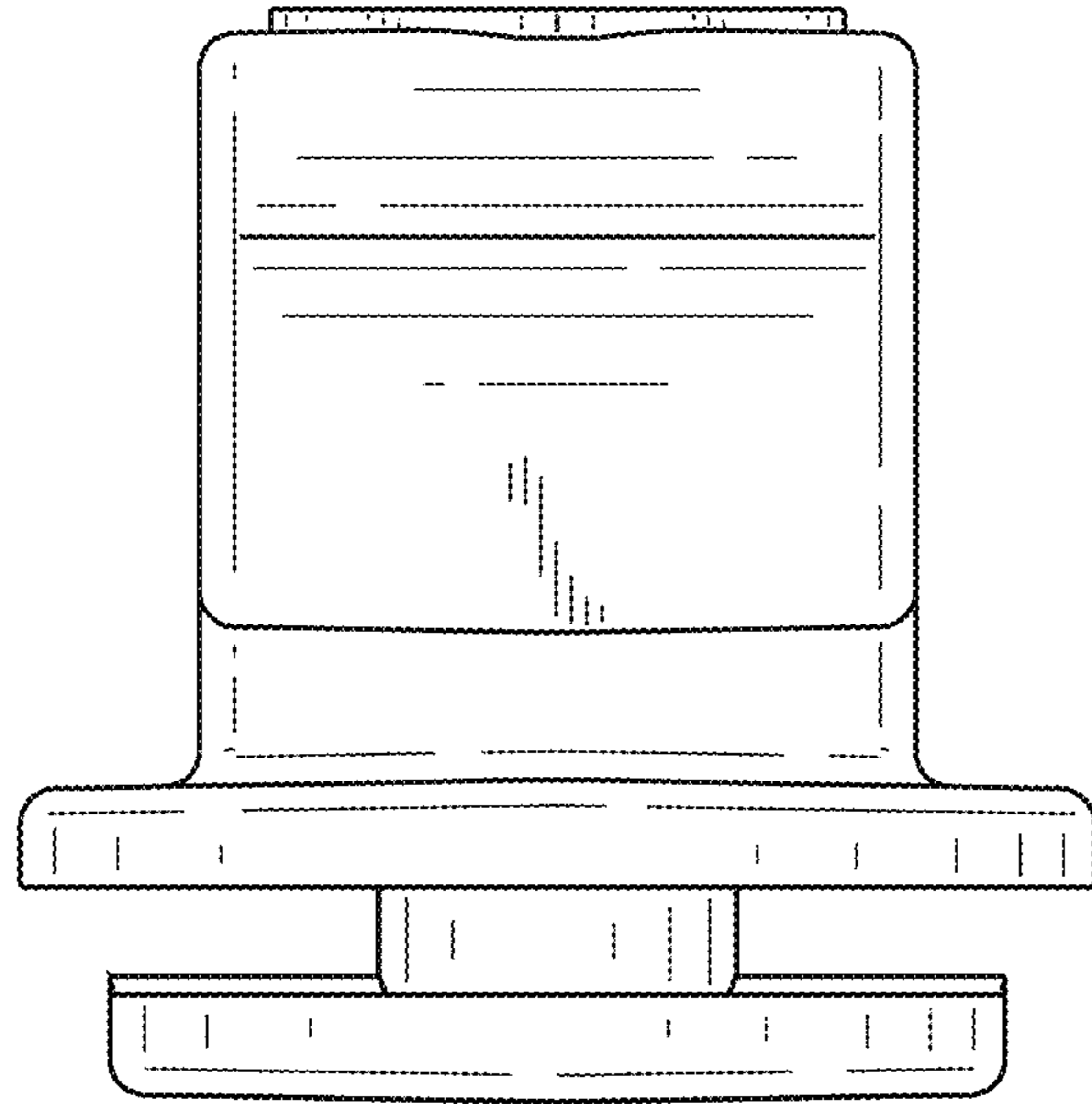


FIG. 5

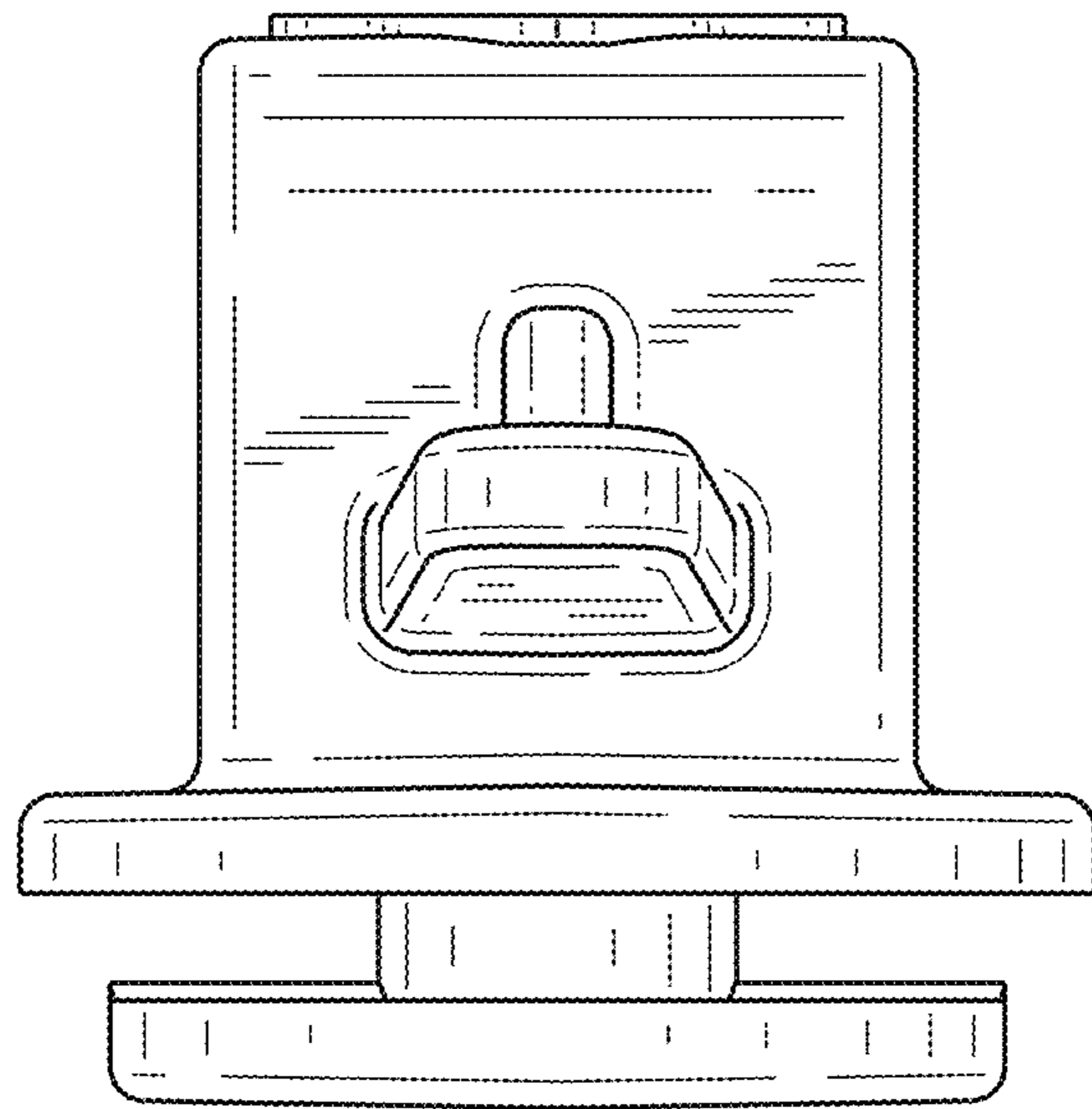


FIG. 6

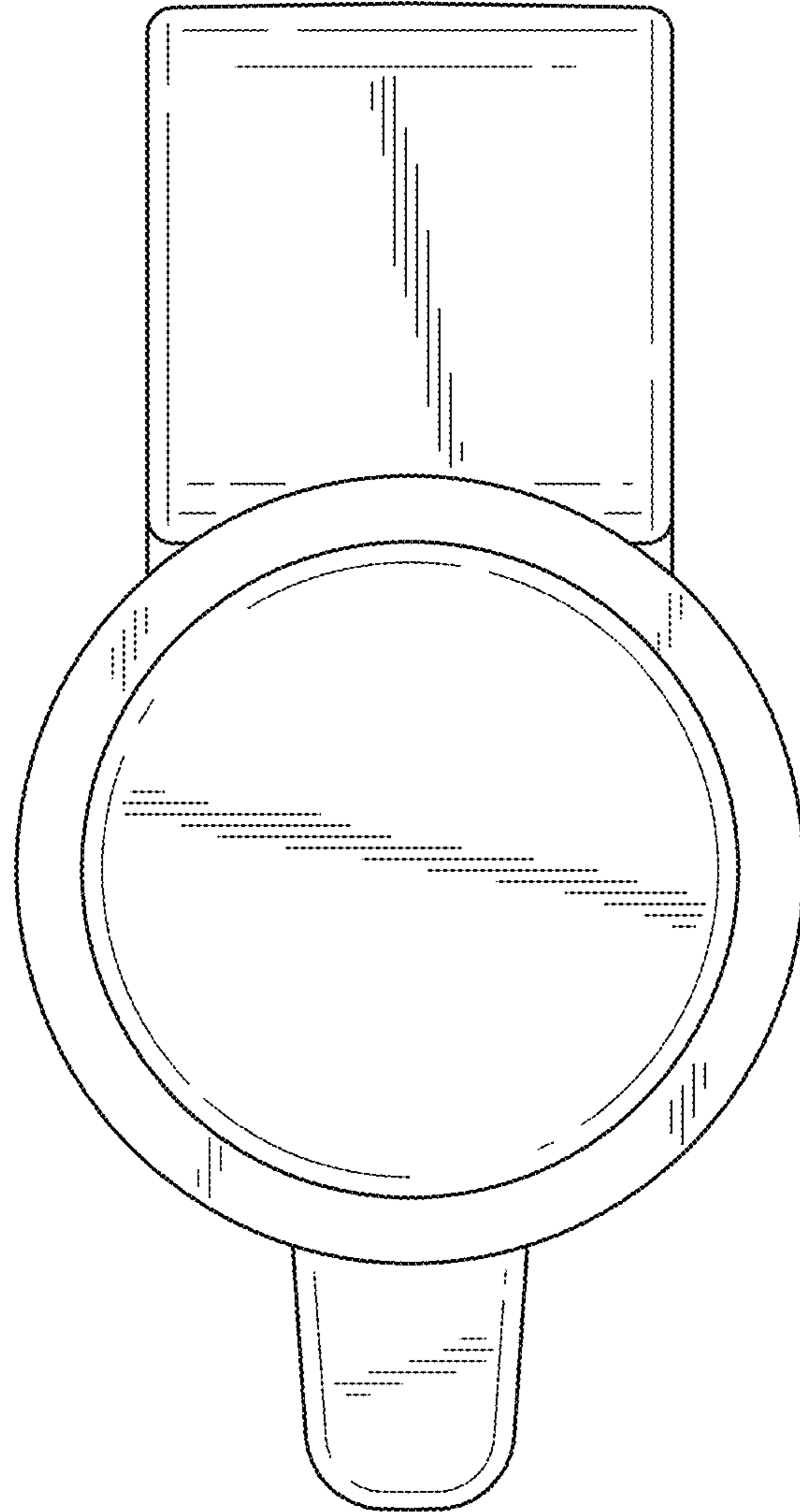


FIG. 7

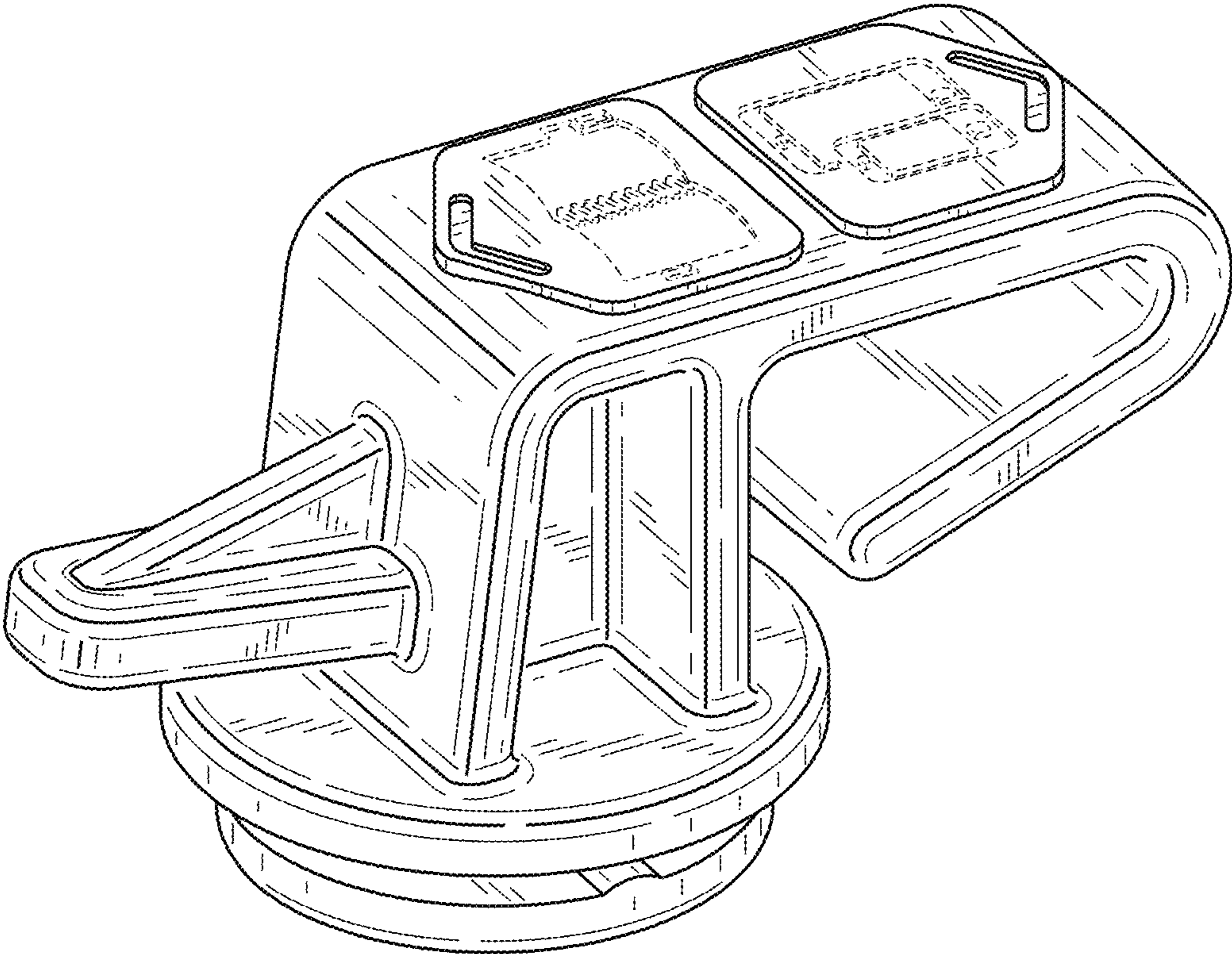


FIG. 8



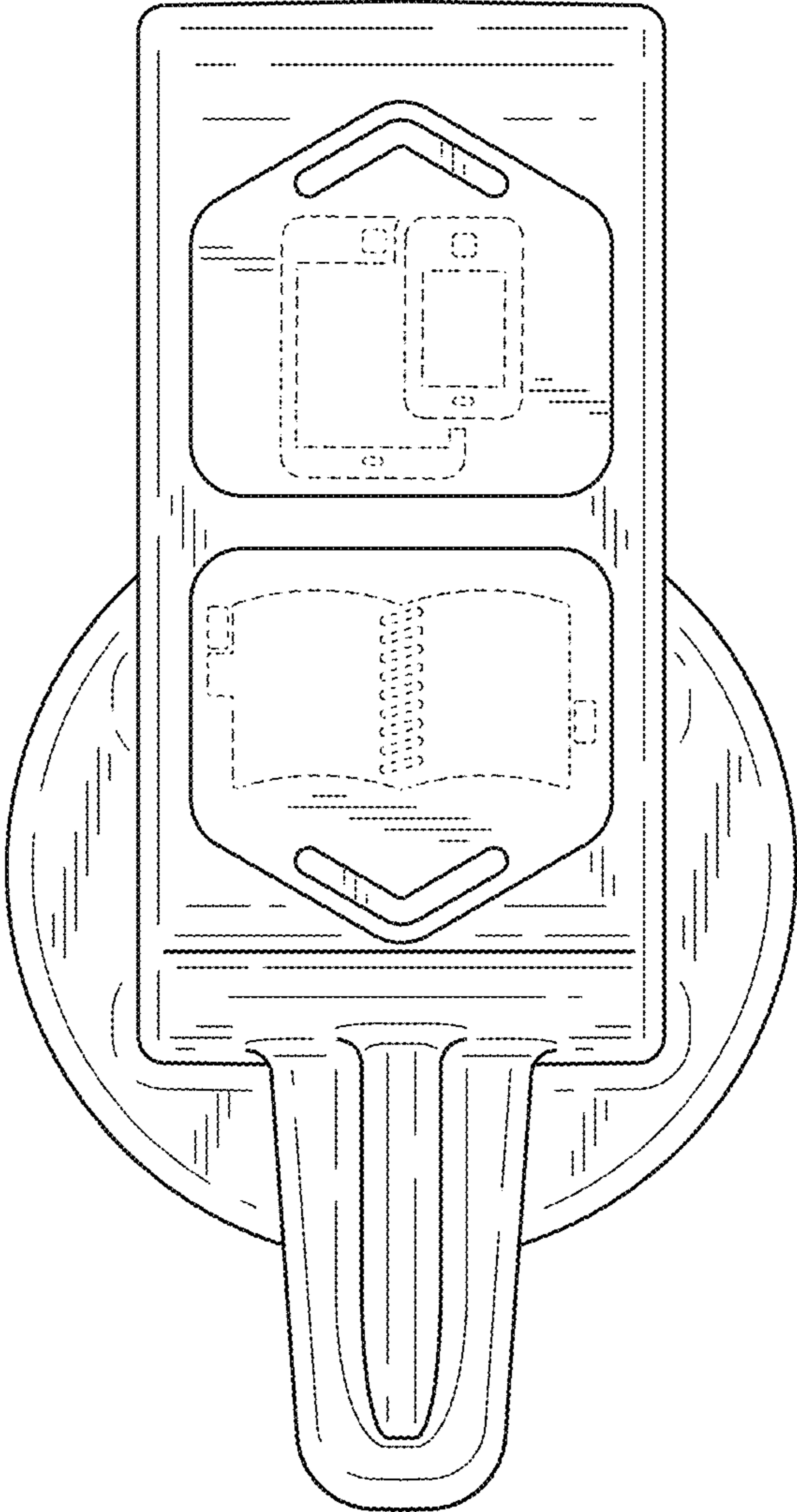


FIG. 9

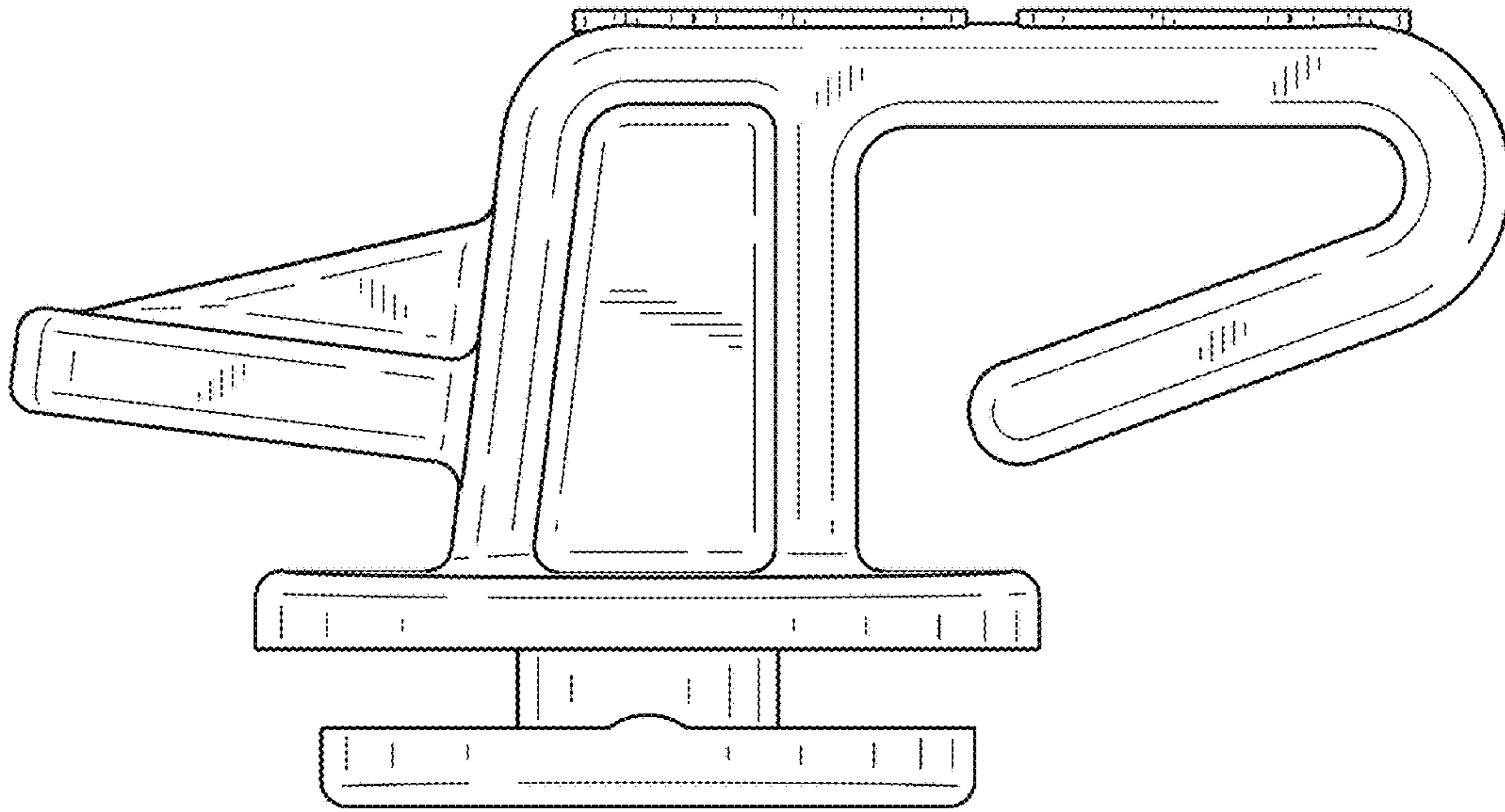


FIG. 10

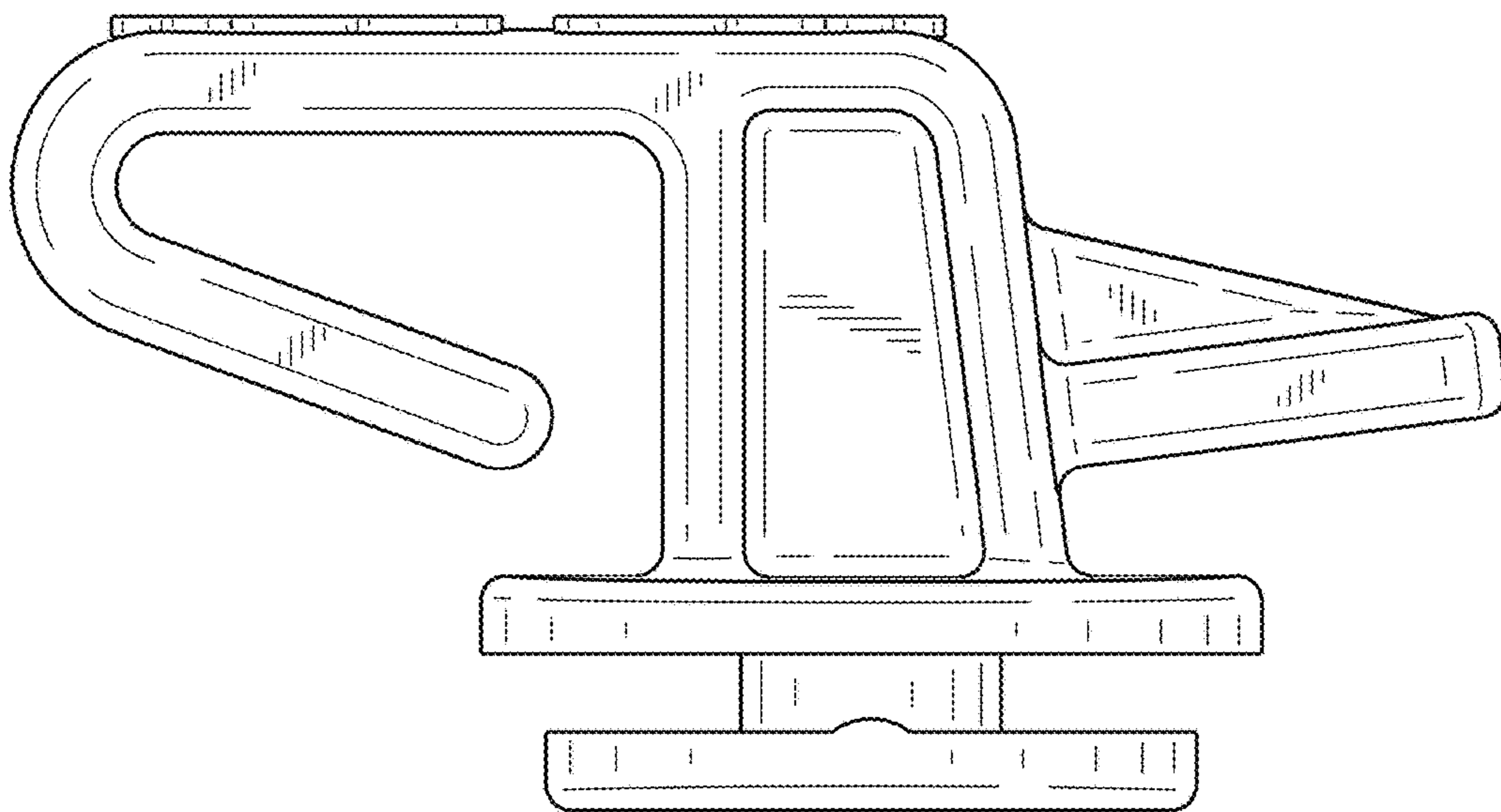


FIG. 11

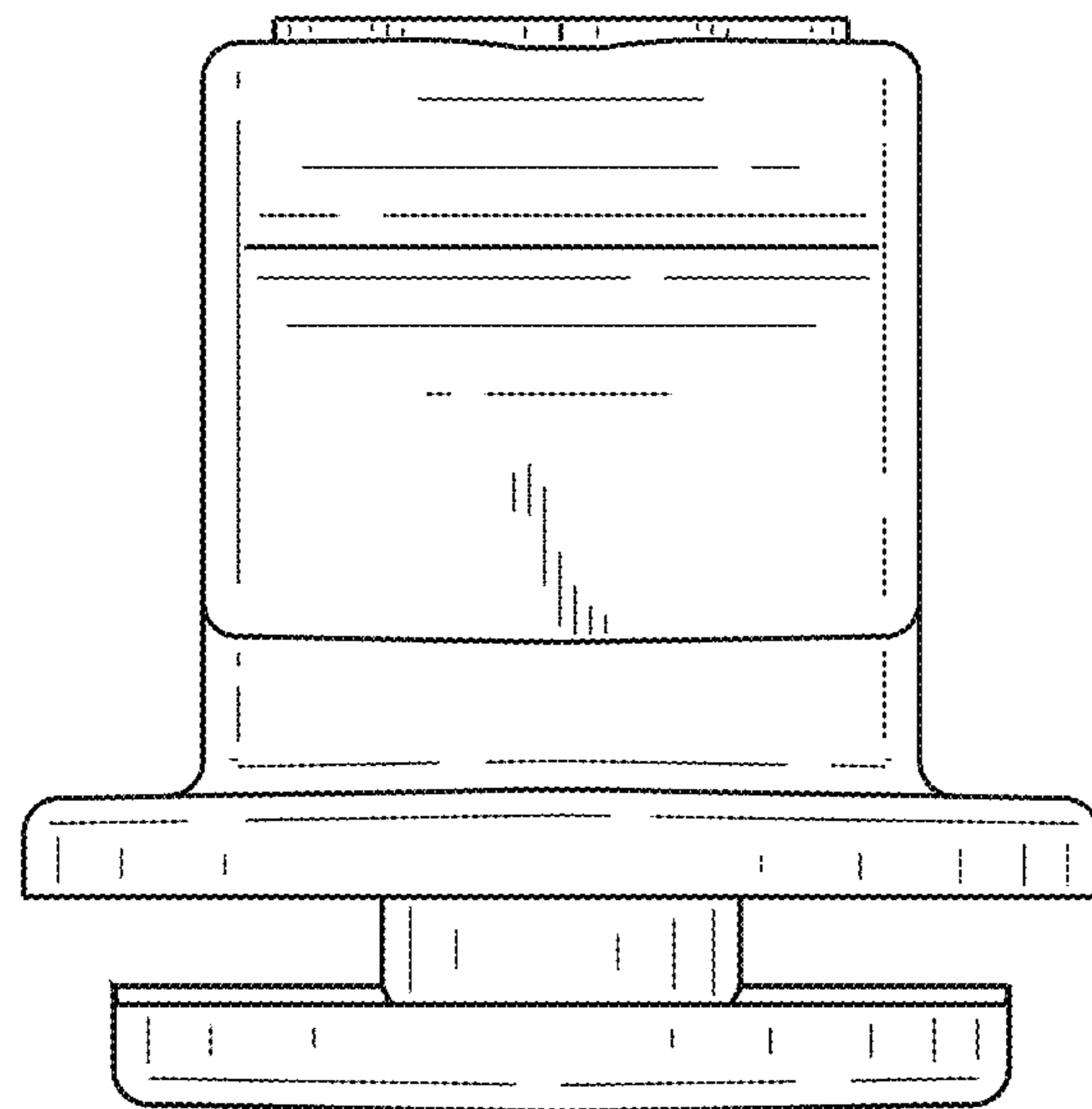


FIG. 12

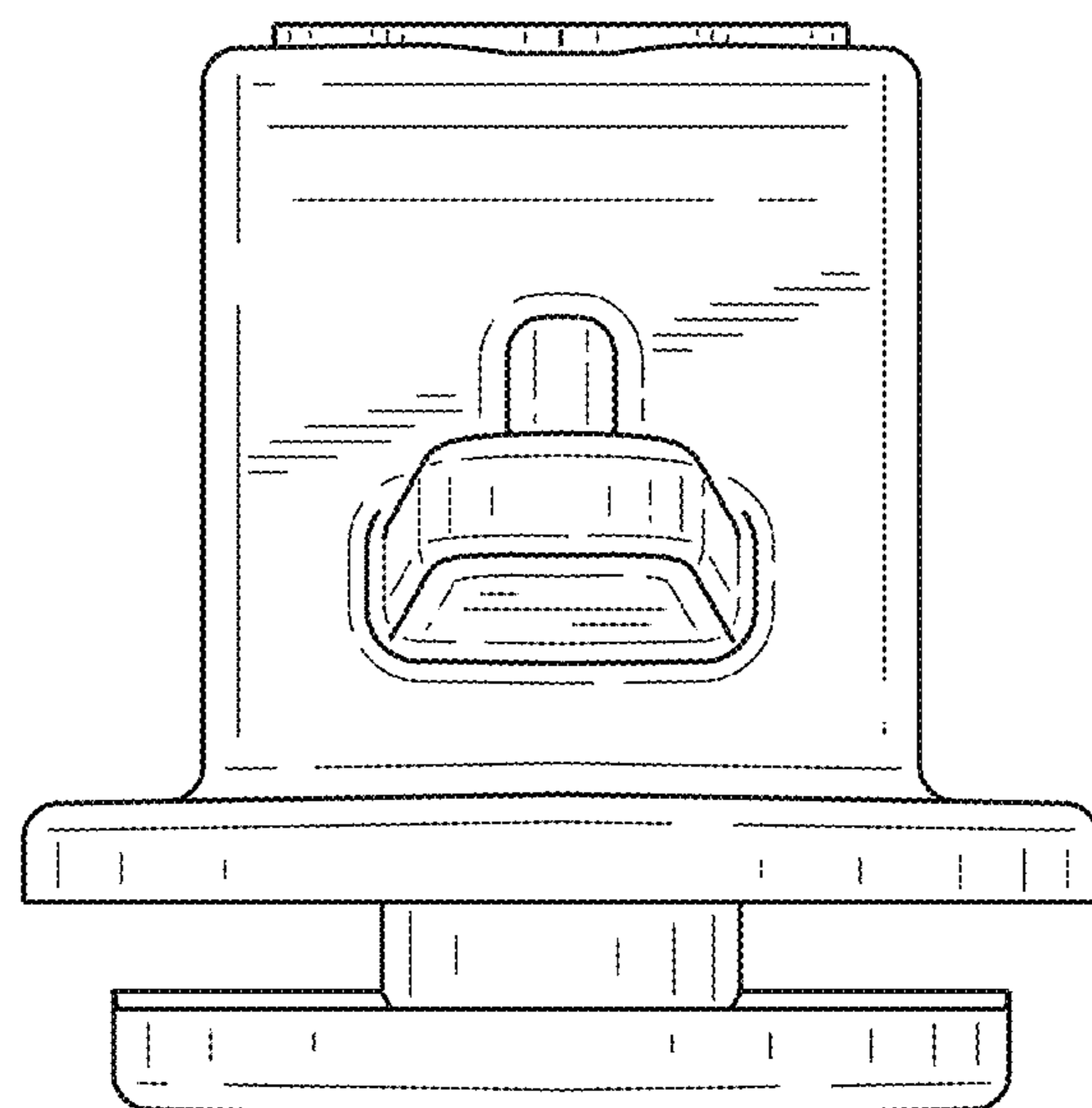


FIG. 13

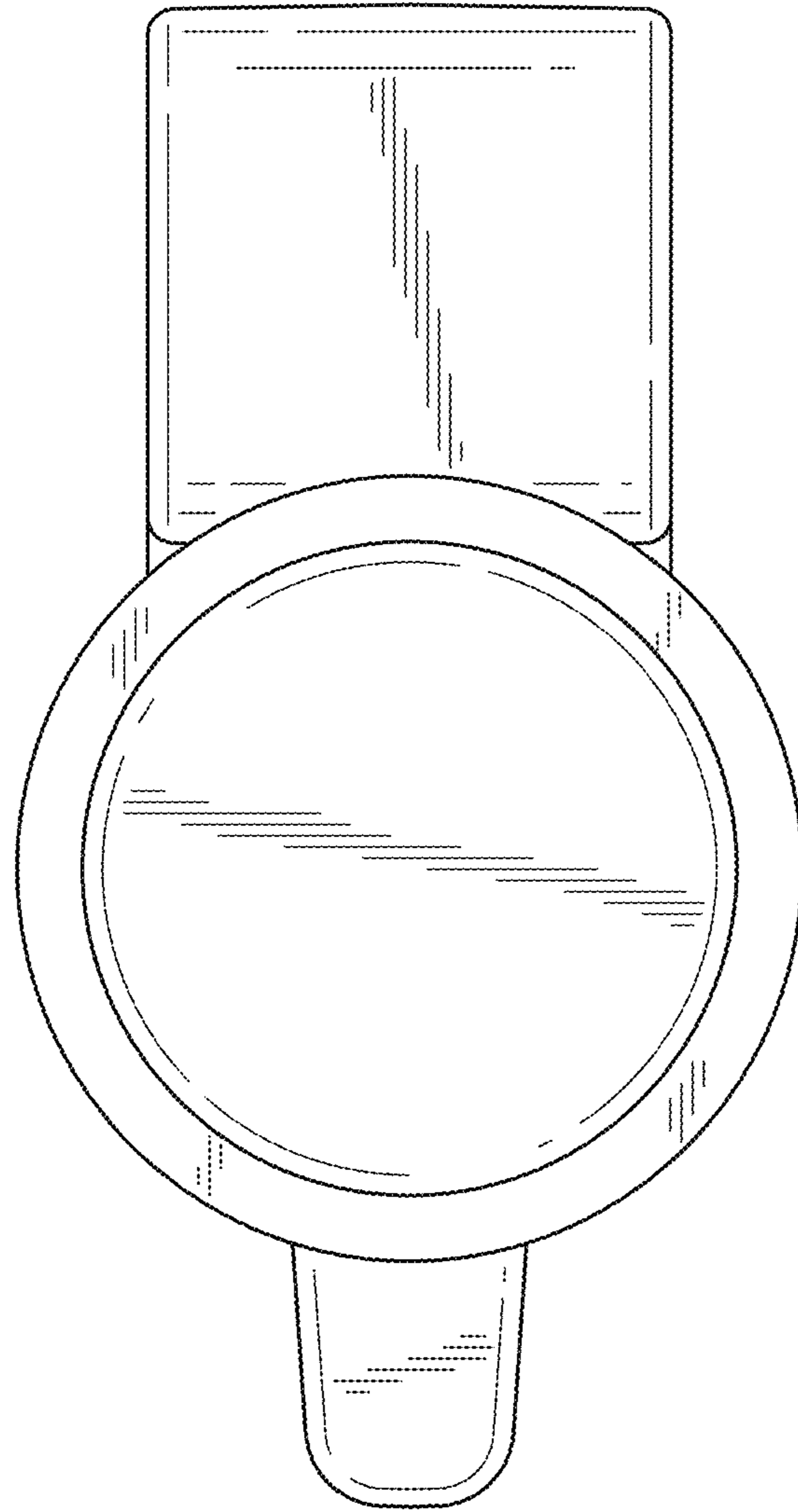


FIG. 14

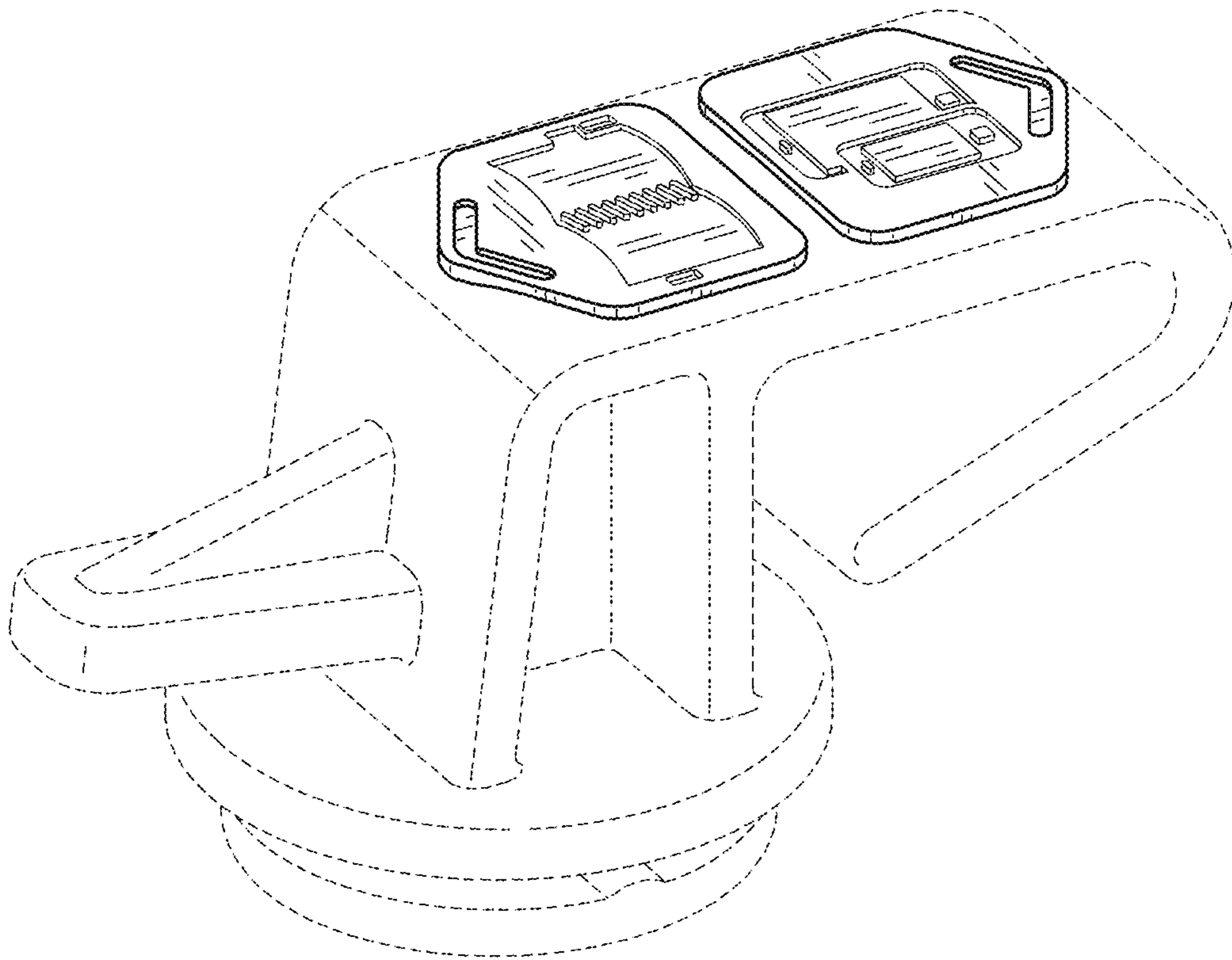


FIG. 15

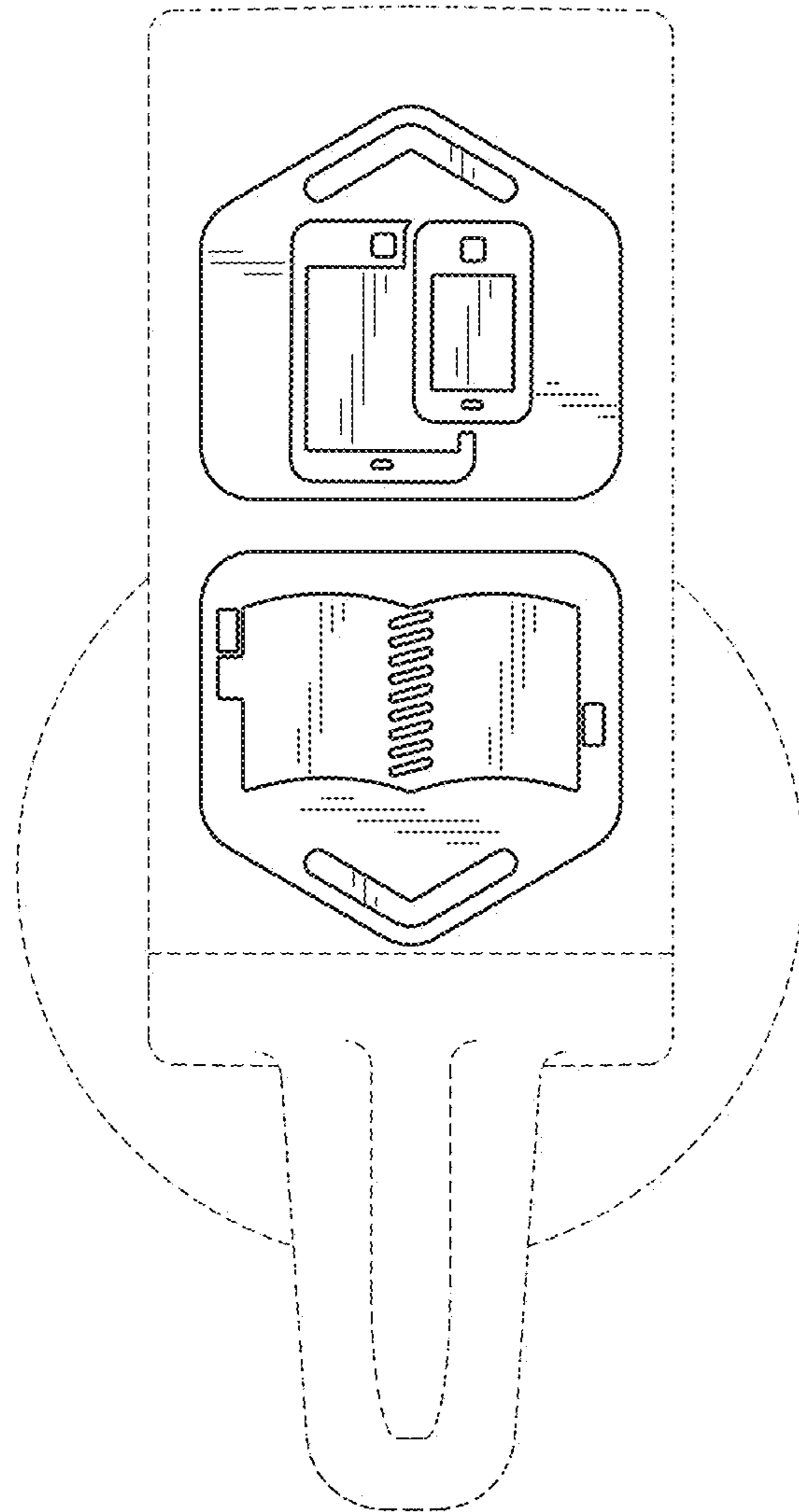


FIG. 16

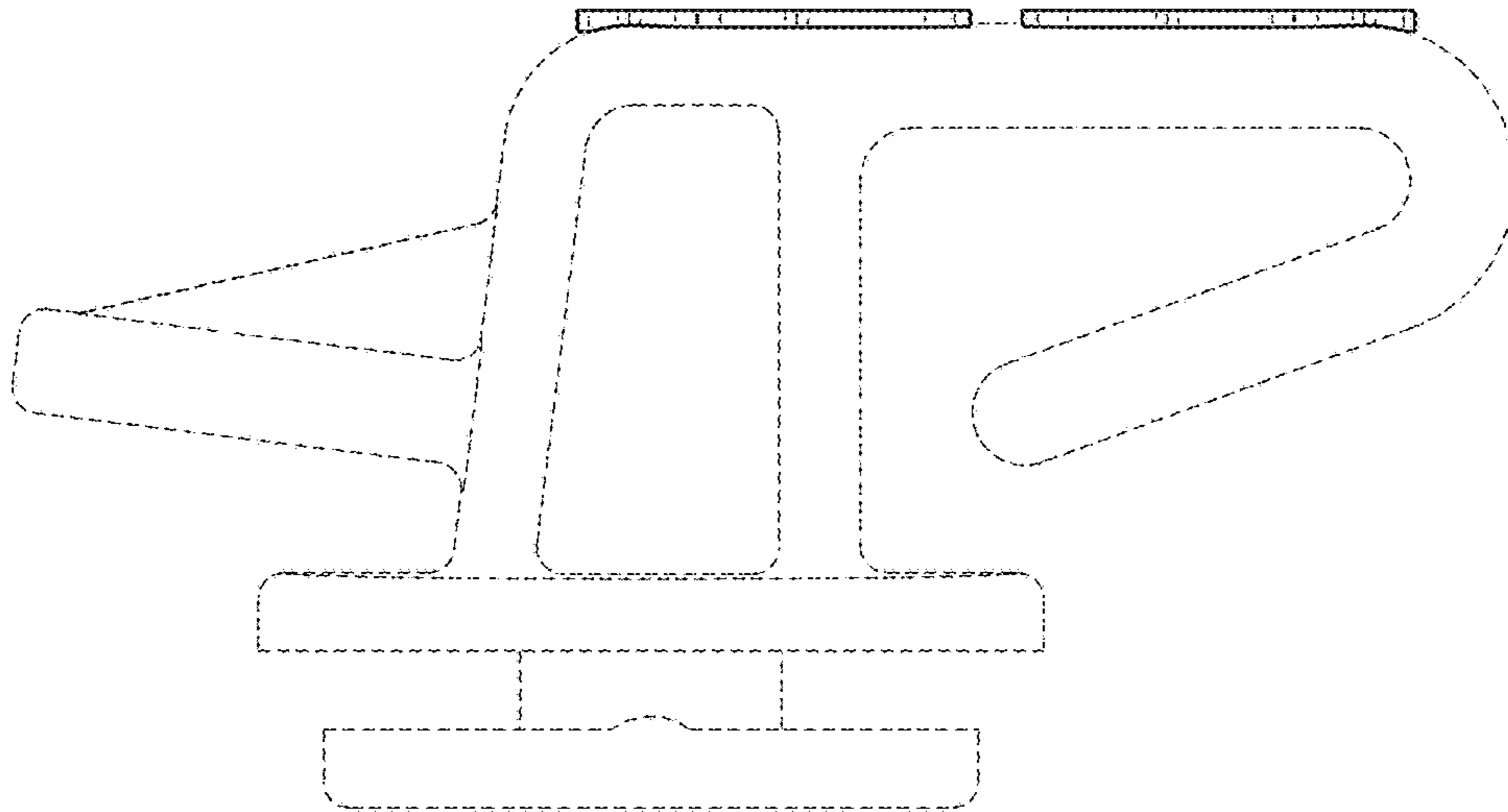


FIG. 17

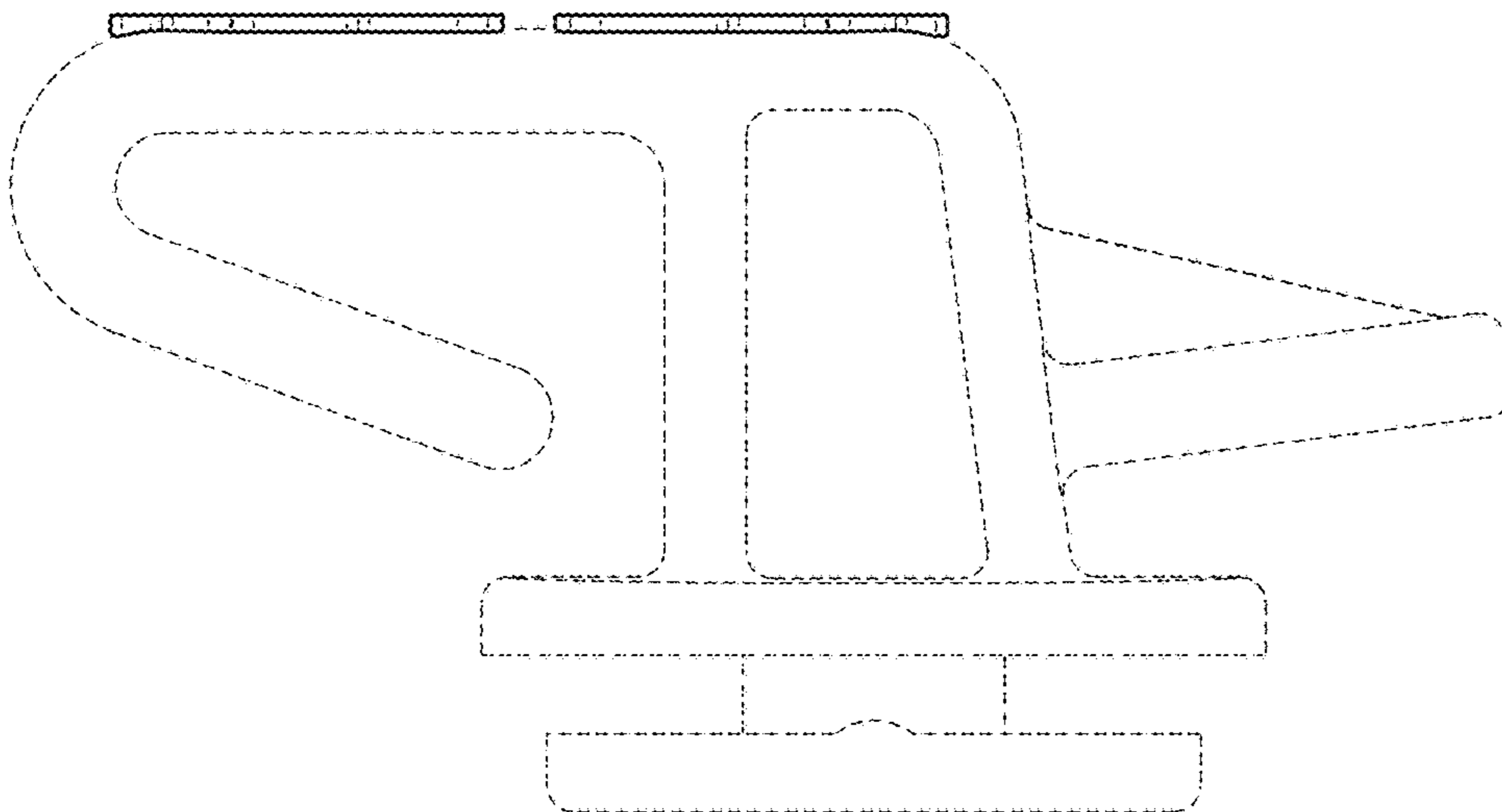


FIG. 18

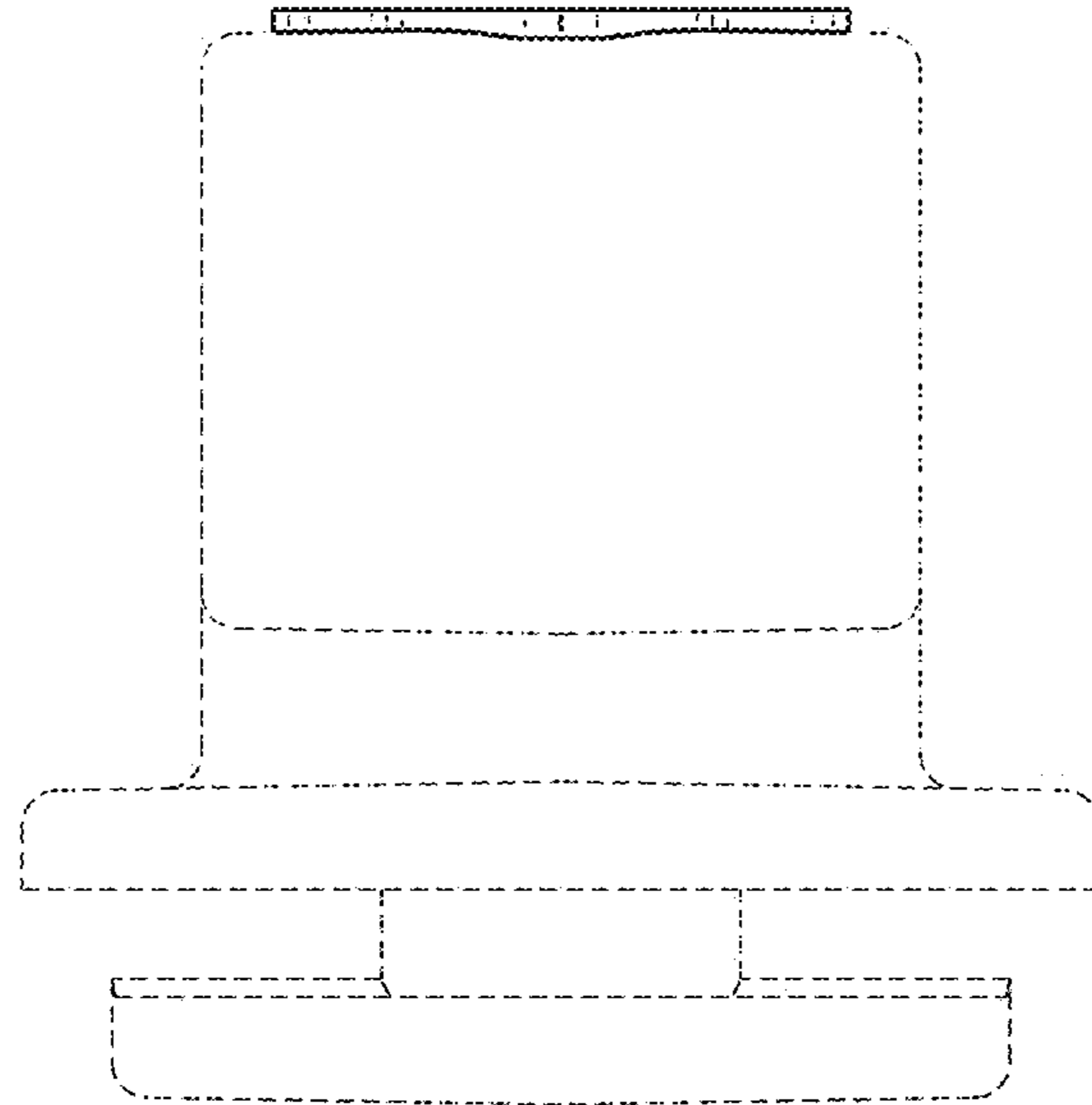


FIG. 19

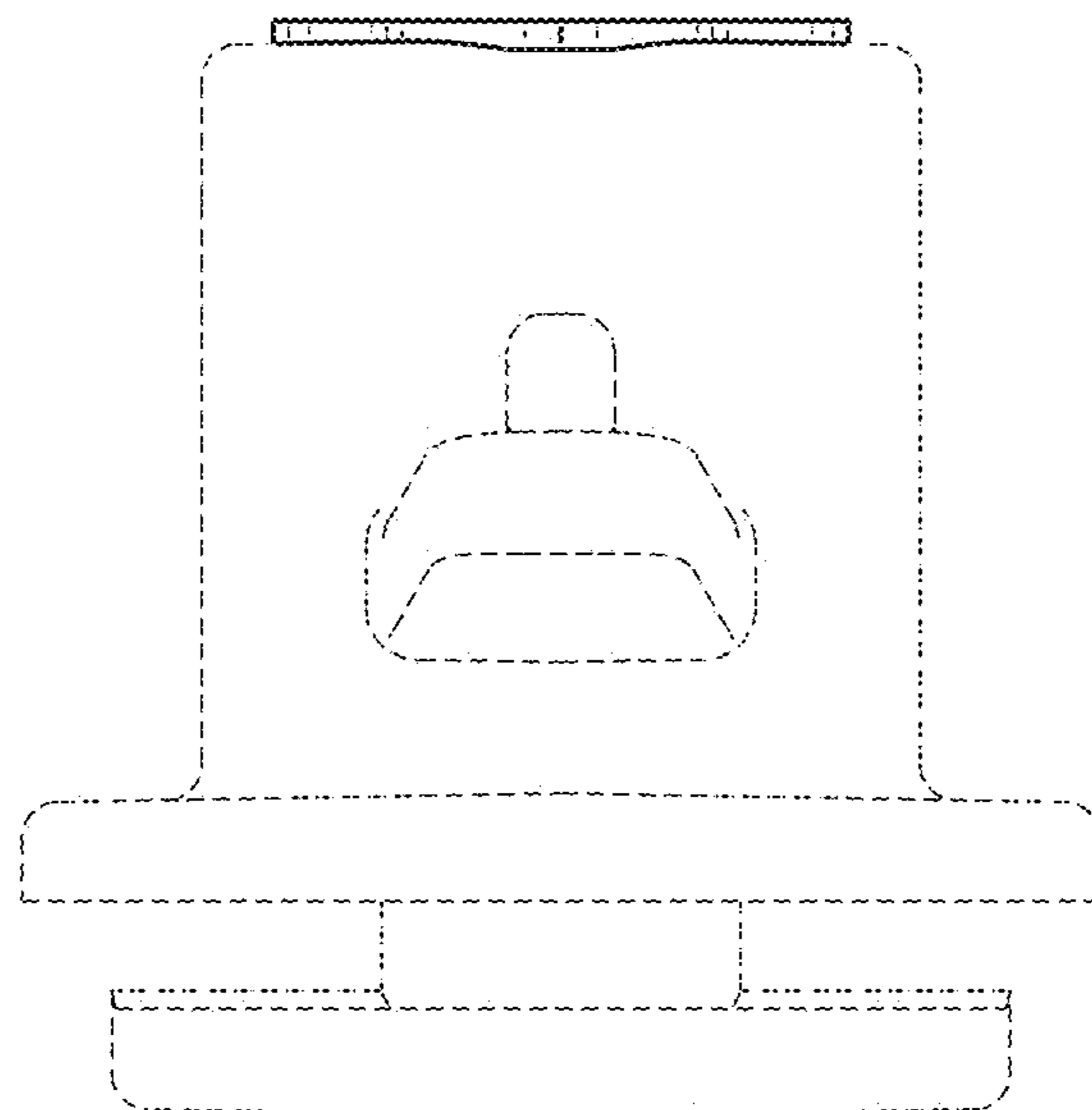


FIG. 20