



US00D815701S

(12) **United States Design Patent** (10) **Patent No.:** **US D815,701 S**
Spencer (45) **Date of Patent:** **** Apr. 17, 2018**

(54) **BALANCE BEAM**

(71) Applicant: **Korey Girard Spencer**, Detroit, MI (US)

(72) Inventor: **Korey Girard Spencer**, Detroit, MI (US)

(**) Term: **15 Years**

(21) Appl. No.: **29/583,414**

(22) Filed: **Nov. 4, 2016**

(51) **LOC (11) Cl.** **21-02**

(52) **U.S. Cl.**
USPC **D21/686**

(58) **Field of Classification Search**

USPC 248/678; 280/609; 297/223, 423, 461;
473/218, 266, 269; 482/25, 30, 51, 71,
482/74, 77, 79, 80, 91, 93, 94, 105, 110,
482/122, 125, 140, 142, 146, 147;
D6/349, 350, 582, 583, 585, 588, 592;
D21/349, 399, 412, 662, 671, 683, 685,
D21/686, 687, 688, 689, 694, 698, 798
CPC A63B 2023/006; A63B 21/068; A63B
23/0216
See application file for complete search history.

(56) **References Cited**

U.S. PATENT DOCUMENTS

D265,411 S * 7/1982 Hedenblad D21/688
D385,318 S * 10/1997 Videtto D21/688
D564,604 S * 3/2008 Mikail D21/688
D695,367 S * 12/2013 Lovegrove D21/686
D741,962 S * 10/2015 Terrian D21/686
D777,848 S * 1/2017 Bennett D21/688
D778,377 S * 2/2017 Daniel D21/688

D779,000 S * 2/2017 Olson D21/686
D785,106 S * 4/2017 Panes D21/688
D792,532 S * 7/2017 Olson D21/686
2002/0158431 A1* 10/2002 Porte A63C 5/03
280/14.22

* cited by examiner

Primary Examiner — Cynthia Ramirez
Assistant Examiner — Michael A Maharajh
(74) *Attorney, Agent, or Firm* — Dunlap Bennett & Ludwig PLLC; Brendan E. Squire

(57) **CLAIM**

The ornamental design for a balance beam, as shown and described.

DESCRIPTION

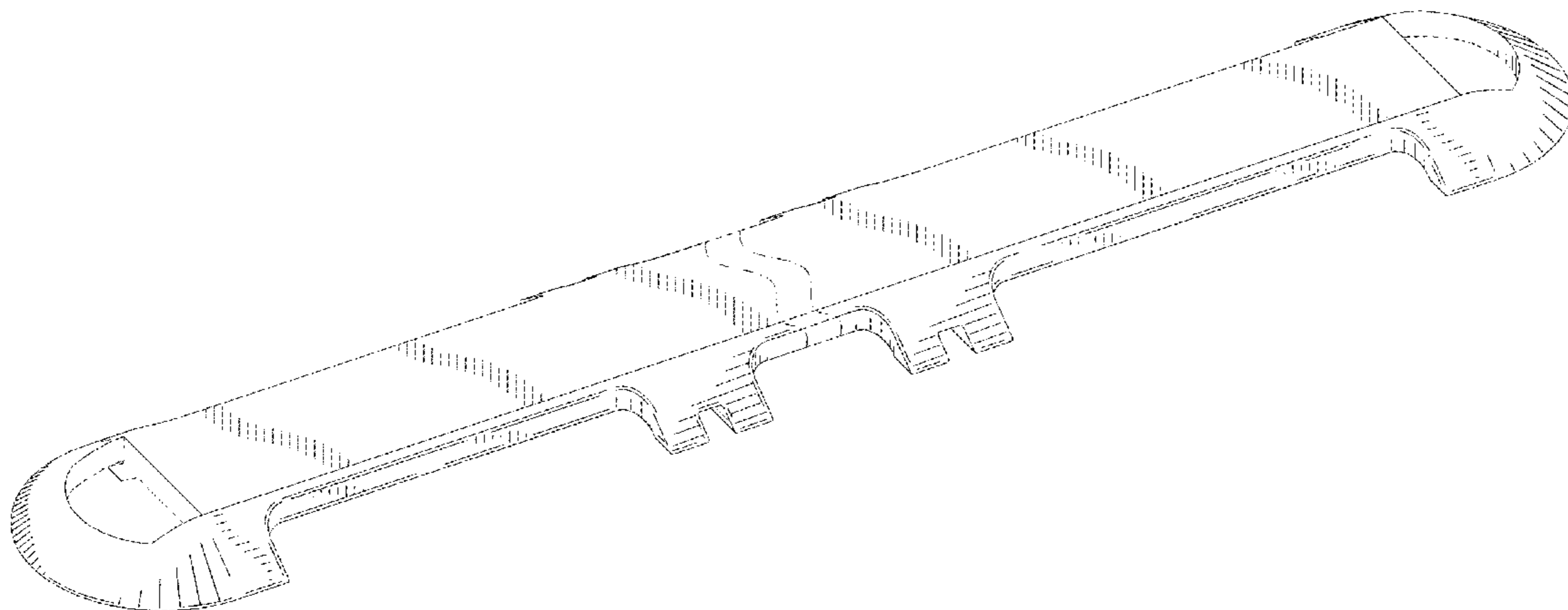
FIG. 1 is a perspective view of the balance beam showing my new design;
FIG. 2 is a front elevation view of the balance beam; the rear elevation view being a mirror image thereof;
FIG. 3 is a top plan view thereof;
FIG. 4 is a right side elevation view of the balance beam; the left side elevation view being a mirror image thereof;
FIG. 5 is a bottom plan view thereof; and,
FIG. 6 is a perspective view of the balance beam shown in use.

The balance beam is shown with a symbolic break in its length indicated by the dash-dot-dash lines. The appearance of any portion of the article between the break lines forms no part of the claimed design.

The broken lines in the drawings illustrate portions of the balance beam that form no part of the claimed design.

The broken lines showing a person, handles and bands in FIG. 6 are to illustrate environment and form no part of the claim design.

1 Claim, 4 Drawing Sheets



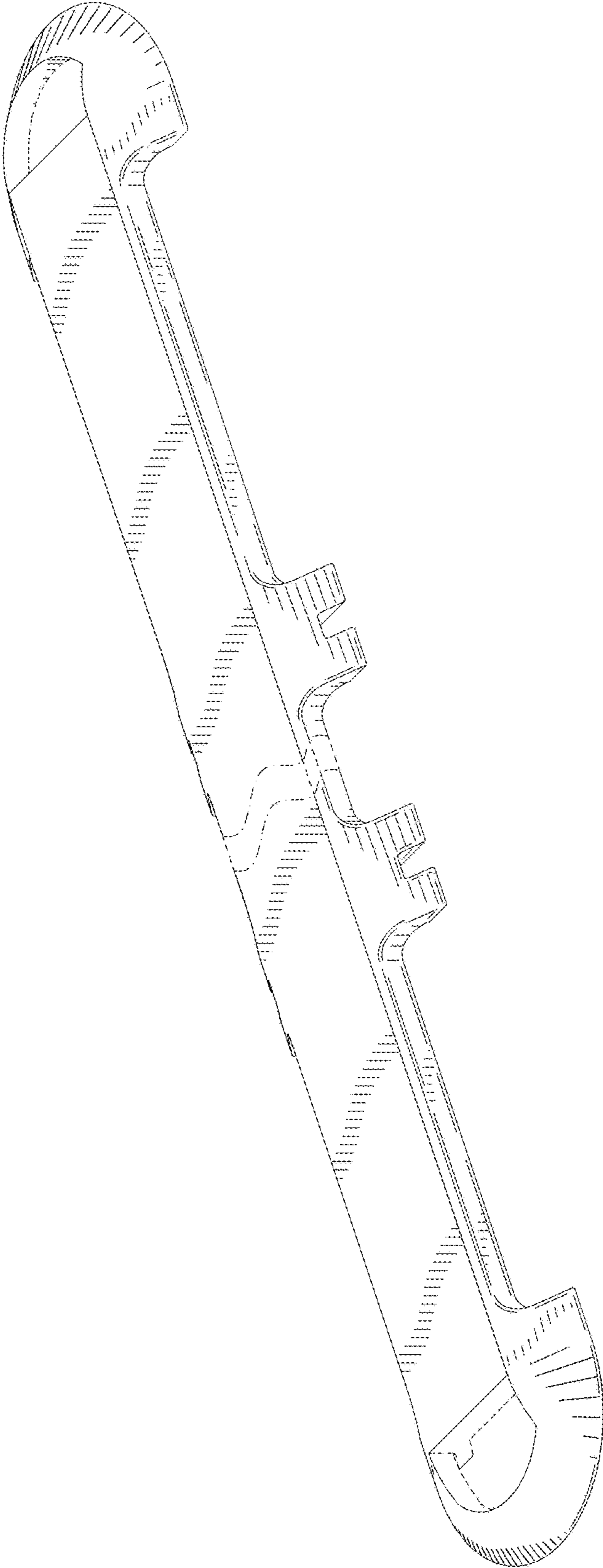


FIG.1



FIG. 2

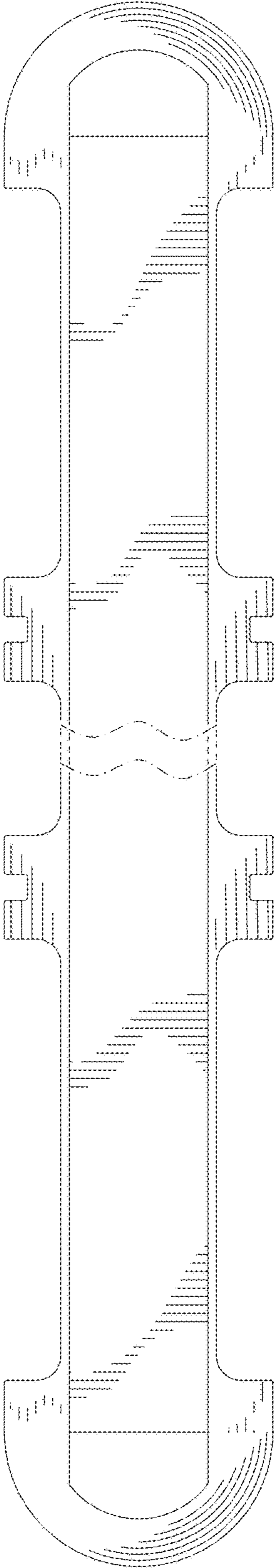


FIG. 3

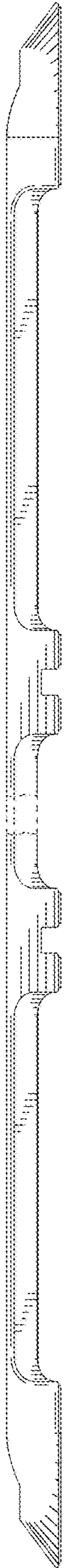


FIG. 4

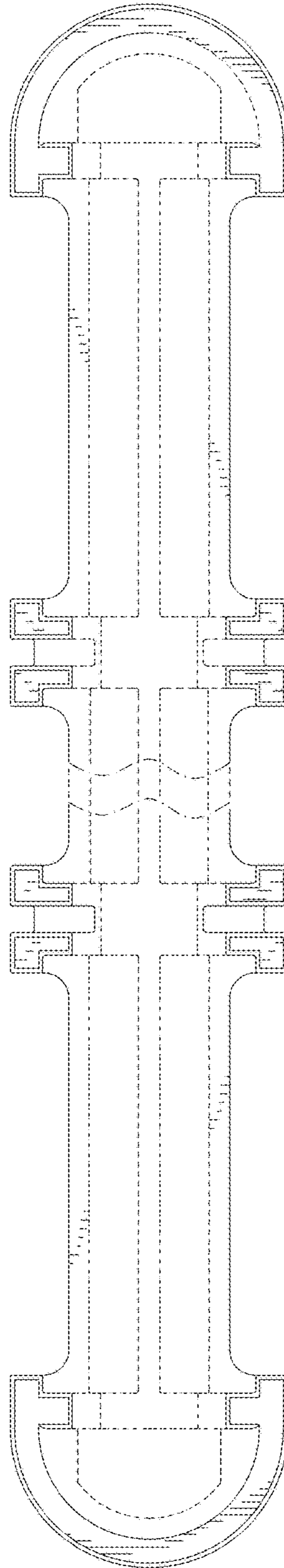


FIG. 5

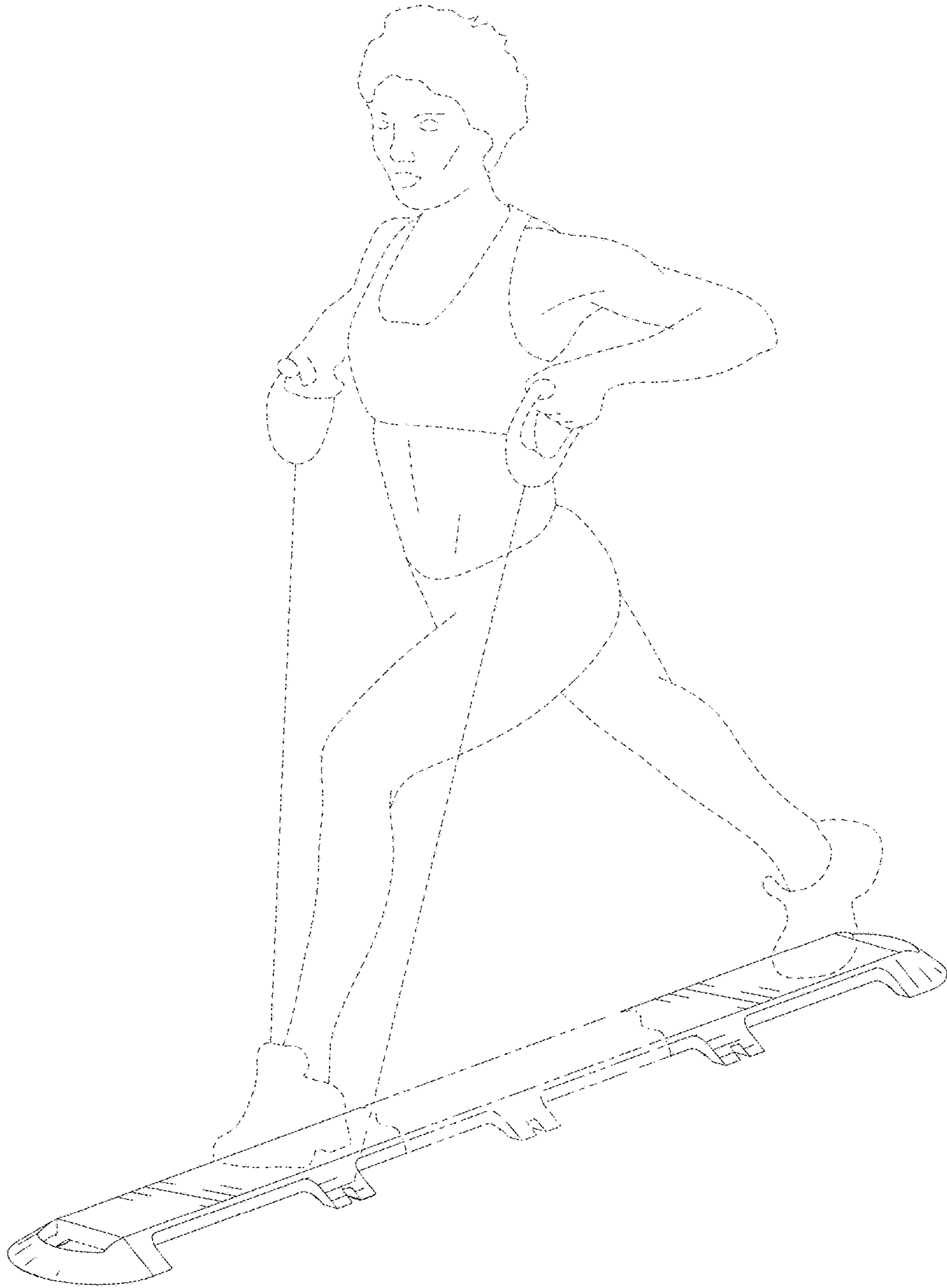


FIG.6